



US00D818901S

(12) **United States Design Patent** (10) **Patent No.:** **US D818,901 S**  
**Anderson et al.** (45) **Date of Patent:** **\*\* May 29, 2018**

(54) **VEHICLE BUMPER**  
(71) Applicant: **Volvo Lastvagnar AB**, Göteborg (SE)  
(72) Inventors: **Ian Anderson**, Greensboro, NC (US);  
**Jeff Cotner**, Greensboro, NC (US)  
(73) Assignee: **VOLVO LASTVAGNAR AB**,  
Gothenburg (SE)  
(\*\*) Term: **15 Years**  
(21) Appl. No.: **29/600,115**  
(22) Filed: **Apr. 10, 2017**  
(51) **LOC (11) Cl.** ..... **12-16**  
(52) **U.S. Cl.**  
USPC ..... **D12/169**  
(58) **Field of Classification Search**  
USPC .... D12/169, 216, 90-92, 86, 171, 196, 163;  
293/102, 113, 115, 117, 120; 296/180.1,  
296/180.2  
CPC ..... B60R 19/02; B60R 19/04; B62D 25/08  
See application file for complete search history.

D741,233 S \* 10/2015 Glover ..... D12/169  
D746,736 S \* 1/2016 Wolff ..... D12/169  
D746,737 S \* 1/2016 Wolff ..... D12/169  
D746,738 S \* 1/2016 Wolff ..... D12/169  
D748,542 S \* 2/2016 Horiuchi ..... D12/169  
D756,275 S \* 5/2016 Ino ..... D12/169  
D774,428 S \* 12/2016 Davidson ..... D12/169  
D776,021 S \* 1/2017 Kapitonov ..... D12/169  
D777,617 S \* 1/2017 Platto ..... D12/169  
D803,737 S \* 11/2017 Granlund ..... D12/169  
D805,970 S \* 12/2017 Villamizar ..... D12/169

(56) **References Cited**  
U.S. PATENT DOCUMENTS  
D629,728 S \* 12/2010 Akasawa ..... D12/169  
D699,164 S \* 2/2014 Watabe ..... D12/169  
D721,621 S \* 1/2015 Platto ..... D12/169  
D736,683 S \* 8/2015 Glover ..... D12/169

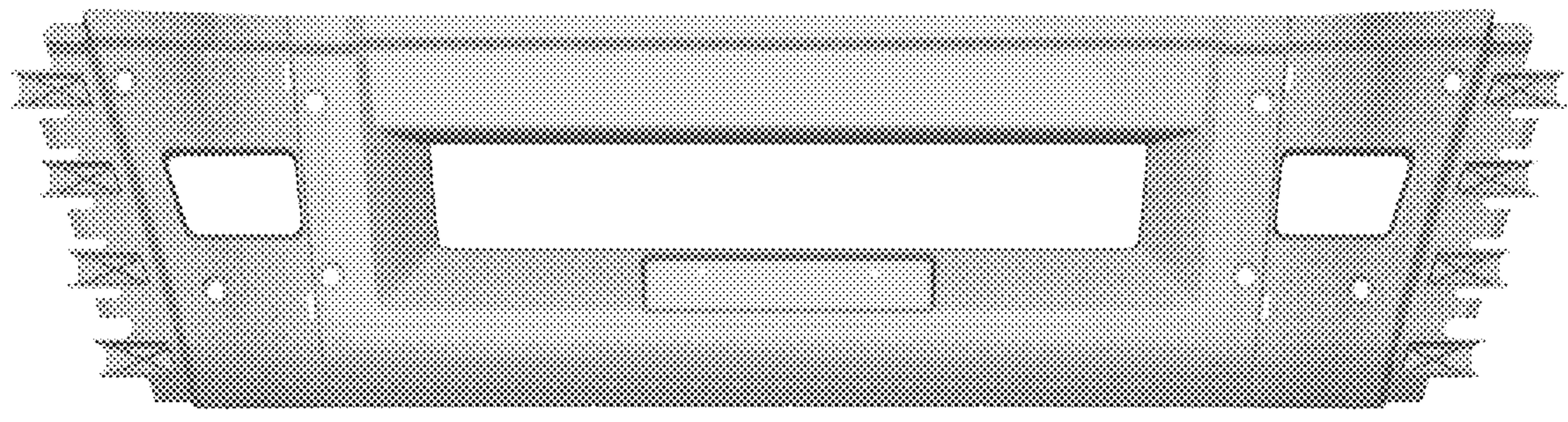
**OTHER PUBLICATIONS**  
Images of Volvo VNL Truck, released 2002, 2 pages.

\* cited by examiner  
*Primary Examiner* — Melody N Brown  
(74) *Attorney, Agent, or Firm* — Tucker Ellis LLP

(57) **CLAIM**  
The ornamental design for a vehicle bumper, as shown and described.

**DESCRIPTION**  
FIG. 1 is a top, front and right side perspective view of a vehicle bumper showing our new design;  
FIG. 2 is a front elevational view thereof;  
FIG. 3 is a left side elevational view thereof;  
FIG. 4 is a right side elevational view thereof;  
FIG. 5 is a top plan view thereof; and,  
FIG. 6 is a bottom plan view thereof.

**1 Claim, 3 Drawing Sheets**



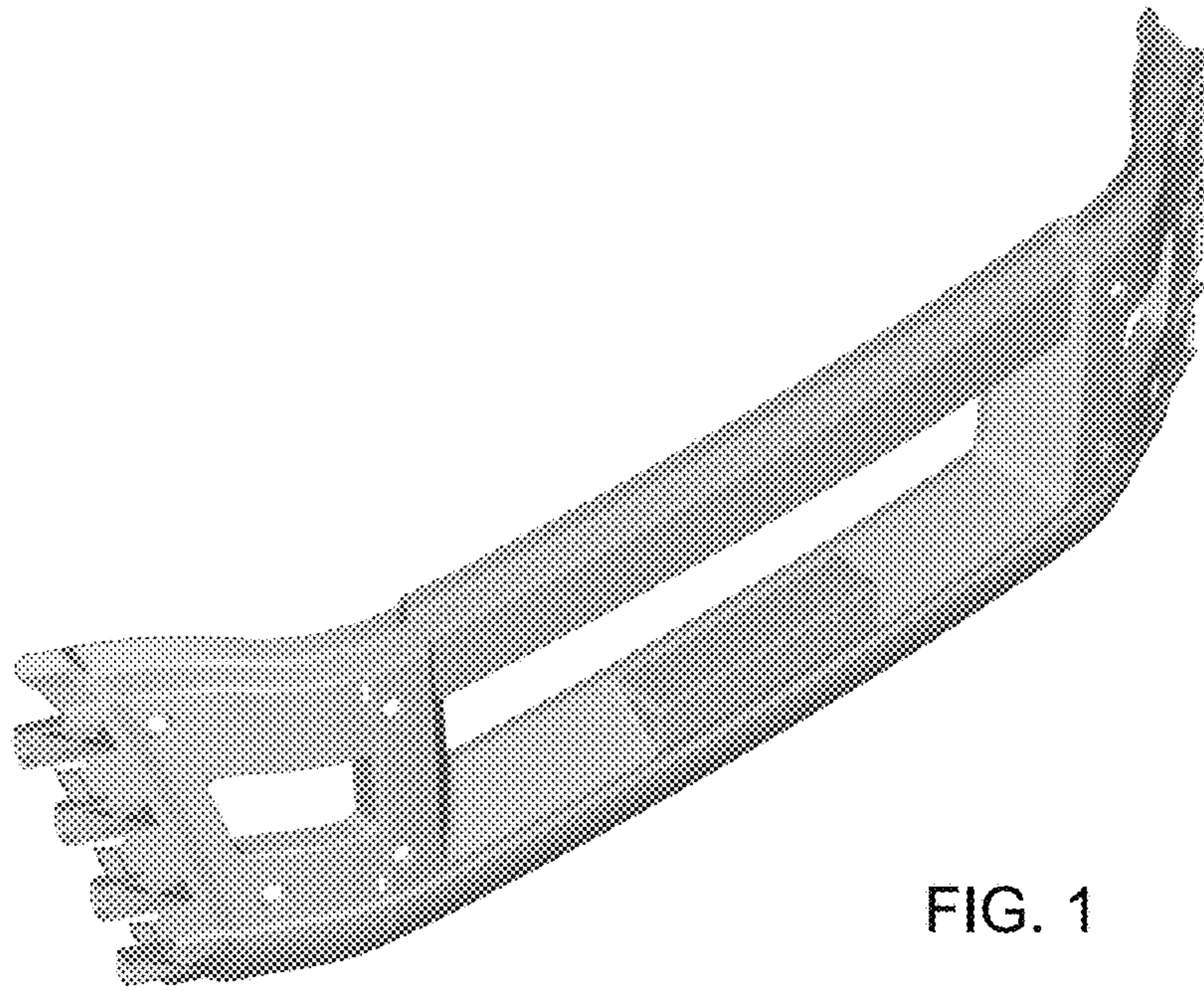


FIG. 1

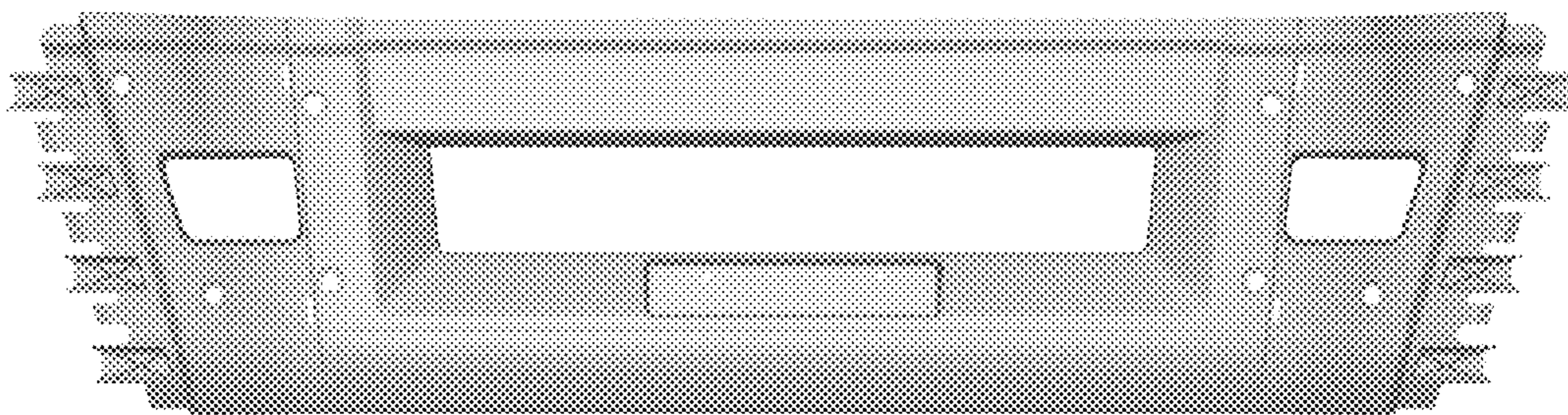


FIG. 2



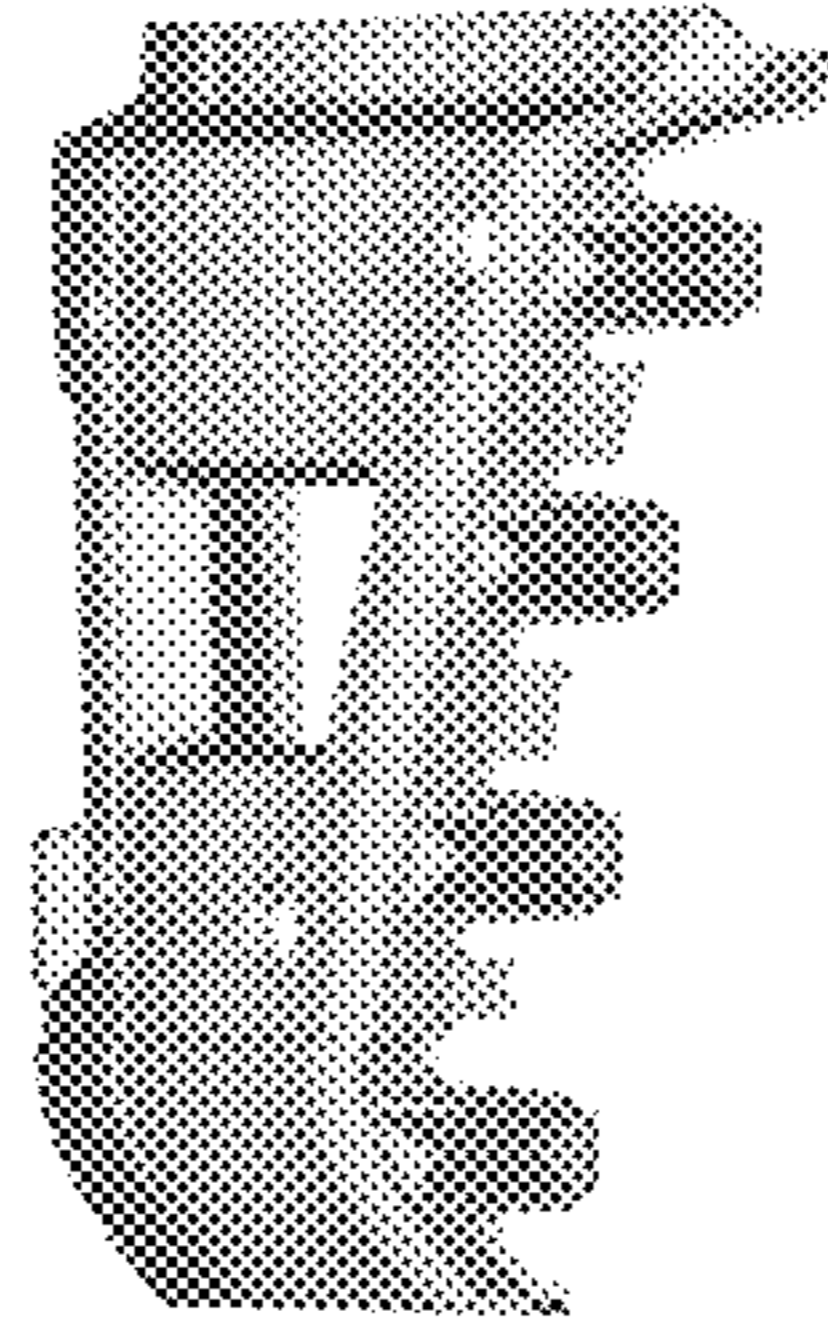


FIG. 3

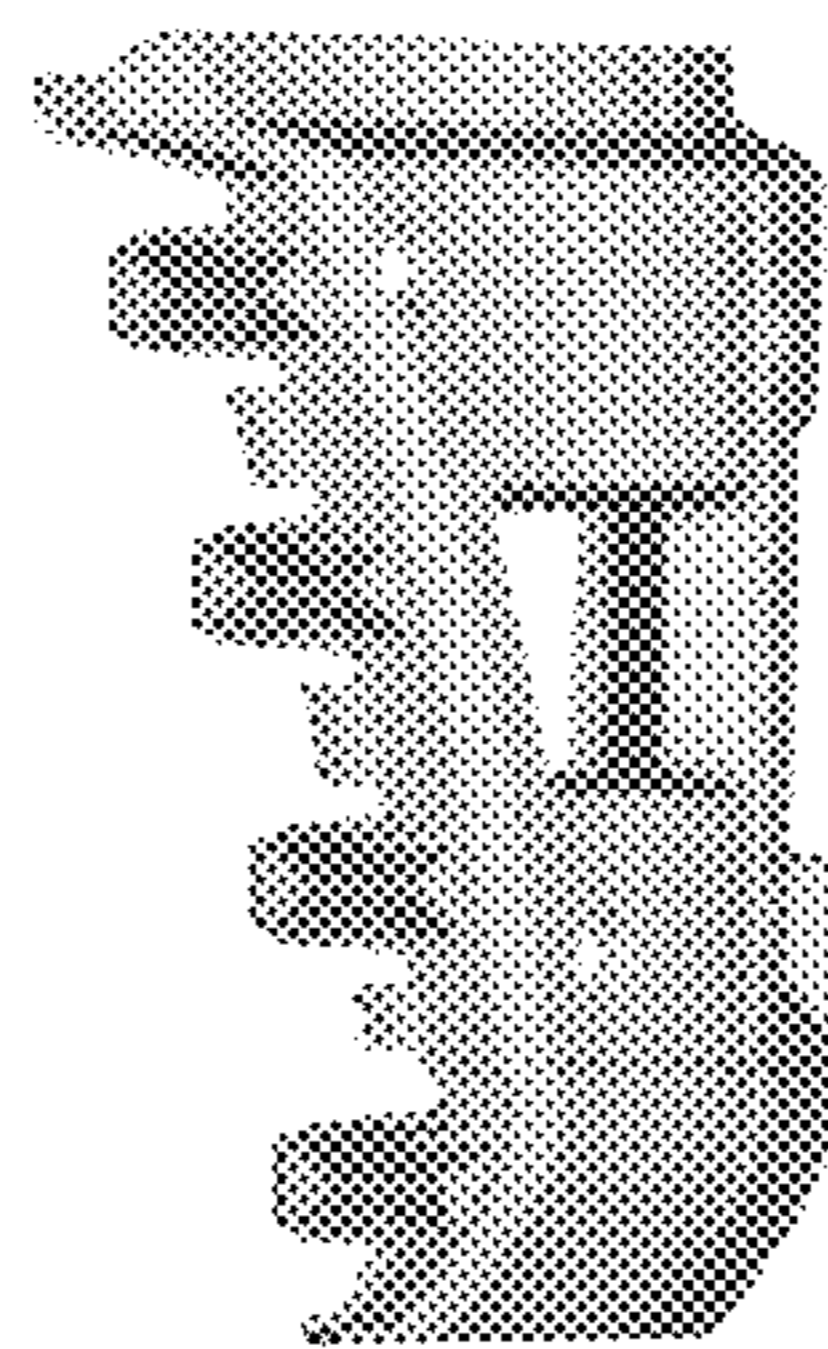


FIG. 4



FIG. 5



FIG. 6