



US00D818891S

(12) **United States Design Patent**
Minamiyama

(10) **Patent No.:** **US D818,891 S**

(45) **Date of Patent:** **** May 29, 2018**

(54) **AUTOMOBILE RADIATOR GRILLE**

(71) Applicant: **Nissan Motor Co., Ltd.**, Yokohama,
Kanagawa (JP)

(72) Inventor: **Shin Minamiyama**, Kanagawa (JP)

(73) Assignee: **Nissan Motor Co., Ltd.**, Yokohama
(JP)

(**) Term: **15 Years**

(21) Appl. No.: **29/586,668**

(22) Filed: **Dec. 6, 2016**

(30) **Foreign Application Priority Data**

Jun. 10, 2016 (JP) 2016-012431

(51) **LOC (11) Cl.** **12-16**

(52) **U.S. Cl.**
USPC **D12/163; D12/171**

(58) **Field of Classification Search**
USPC D12/86, 90, 91, 92, 163, 169, 196, 171,
D12/216

CPC . B60R 19/52; B60R 2019/525; B60K 11/085;
B62D 25/084; H01Q 1/32

See application file for complete search history.

(56) **References Cited**

U.S. PATENT DOCUMENTS

D537,019 S *	2/2007	Pfeiffer	D12/163
D573,924 S *	7/2008	Tachibana	D12/163
D575,686 S *	8/2008	Fukui	D12/163
D575,688 S *	8/2008	Miyata	D12/163
D584,198 S *	1/2009	Tamura	D12/163
D592,564 S *	5/2009	Kusamoto	D12/163
D609,140 S *	2/2010	Iwasaki	D12/163
D610,052 S *	2/2010	Watanabe	D12/163
D614,542 S *	4/2010	Kasai	D12/163

D651,142 S *	12/2011	Fushimi	D12/163
D682,164 S *	5/2013	Fuchigami	D12/163
D692,803 S *	11/2013	Nakahara	D12/163
D702,600 S *	4/2014	Akojima	D12/163
D705,137 S *	5/2014	Kawasaki	D12/163
D712,321 S *	9/2014	Mays	D12/163
D766,782 S *	9/2016	Arroba	D12/163
2008/0073920 A1 *	3/2008	Knauer	B60K 11/085 293/115
2010/0015434 A1 *	1/2010	Iwata	C08G 18/6216 428/327

FOREIGN PATENT DOCUMENTS

JP	D1486682 S	12/2013
JP	D1503117 S	7/2014
JP	D1505293 S	8/2014
JP	D1505489 S	8/2014
JP	D1478995 S	9/2014
JP	D1479819 S	9/2014

(Continued)

Primary Examiner — Darlington Ly

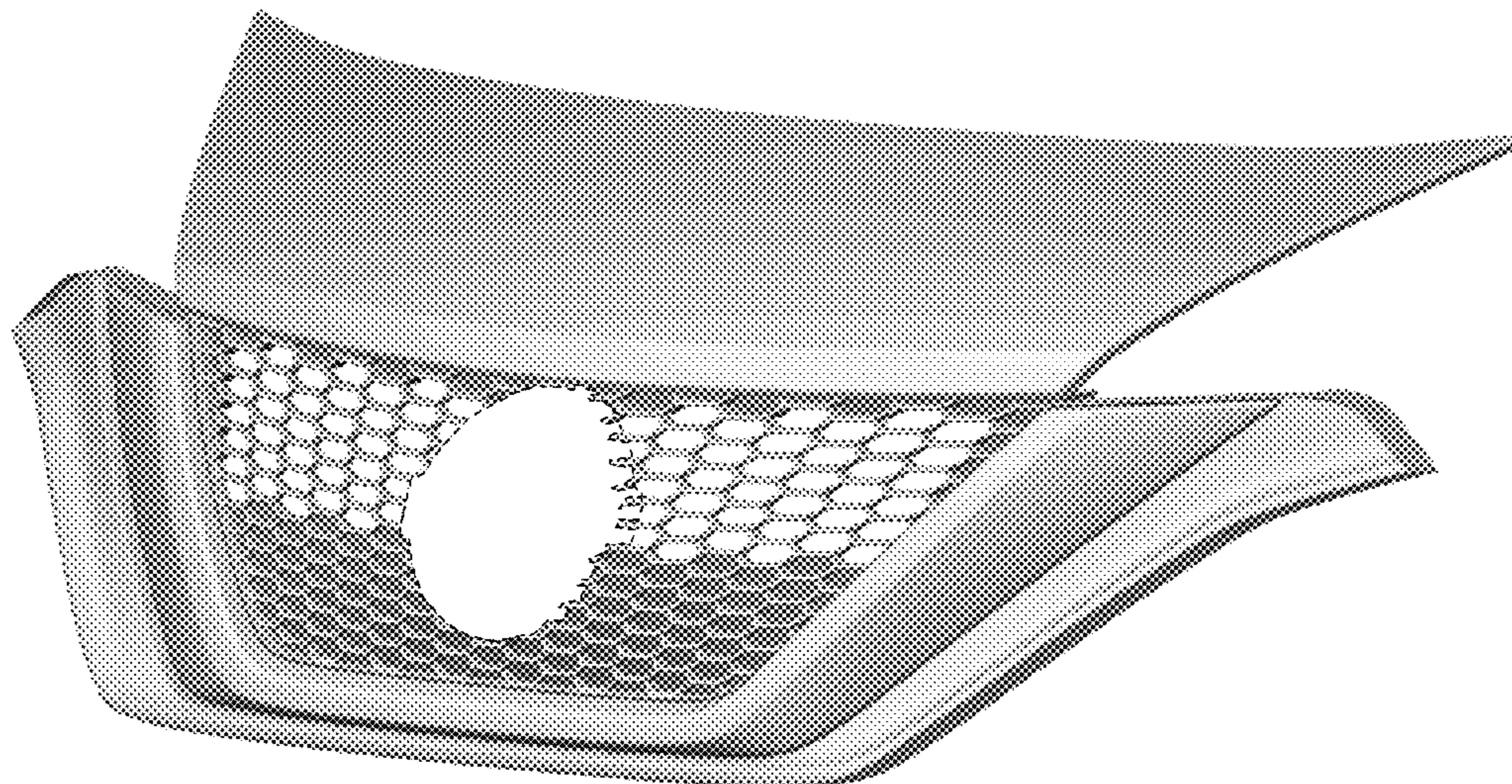
(57) **CLAIM**

The ornamental design for an automobile radiator grille, as shown and described.

DESCRIPTION

FIG. 1 is a front elevation view of an automobile radiator grille in accordance with our new design;
 FIG. 2 is a top plan view thereof;
 FIG. 3 is a bottom plan view thereof;
 FIG. 4 is a right side elevational view thereof;
 FIG. 5 is a left side elevational view thereof;
 FIG. 6 is a front and right-side perspective view thereof; and,
 FIG. 7 is a front and left-side perspective view thereof.
 The broken lines in the drawings illustrate portions of the automobile radiator grille that forms no part of the claimed design.

1 Claim, 7 Drawing Sheets



(56)

References Cited

FOREIGN PATENT DOCUMENTS

JP	D1508060 S	9/2014
JP	D1508117 S	9/2014
JP	D1526240 S	6/2015
JP	D1526241 S	6/2015
JP	D1526538 S	6/2015
JP	D1526801 S	6/2015
JP	D1546170 S	3/2016
JP	D1550387 S	5/2016
JP	D1553677 S	7/2016
JP	D1527905 S	6/2017
JP	D1562822 S	10/2017

* cited by examiner

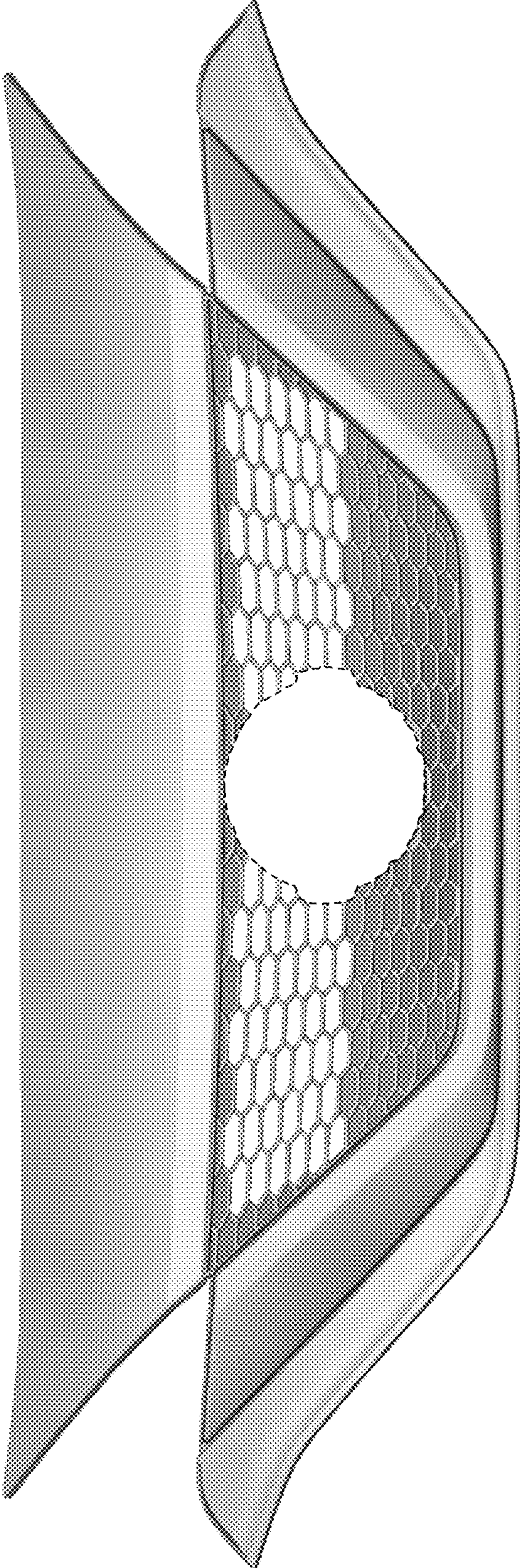


FIG. 1

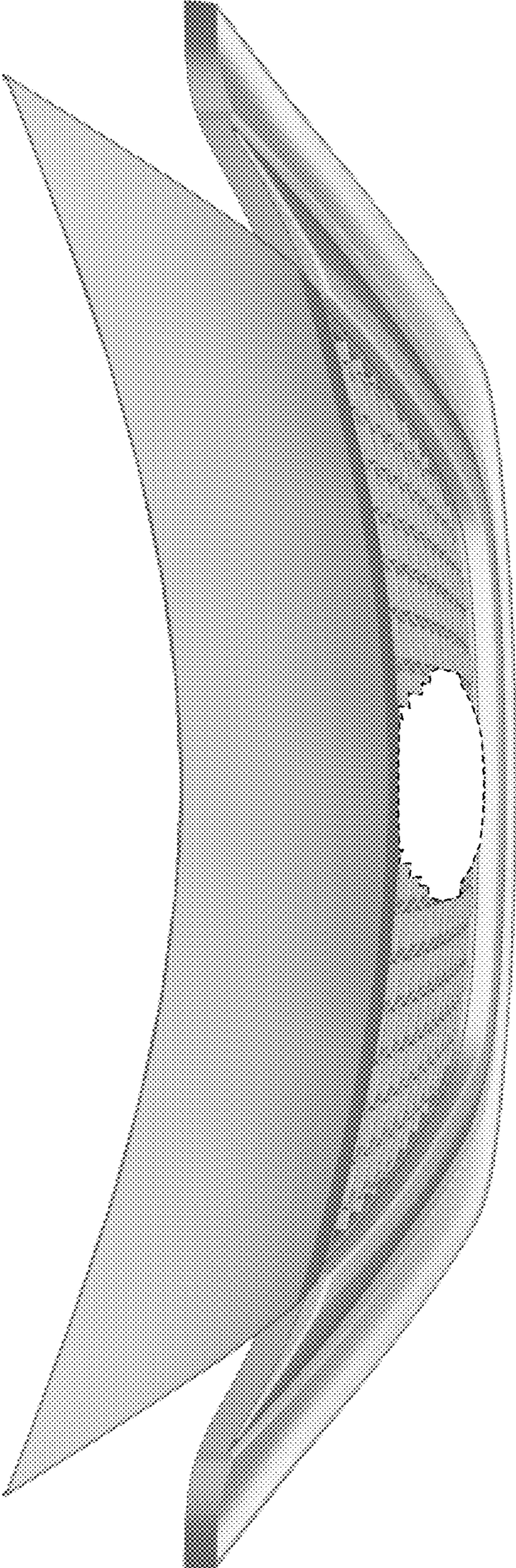


FIG. 2

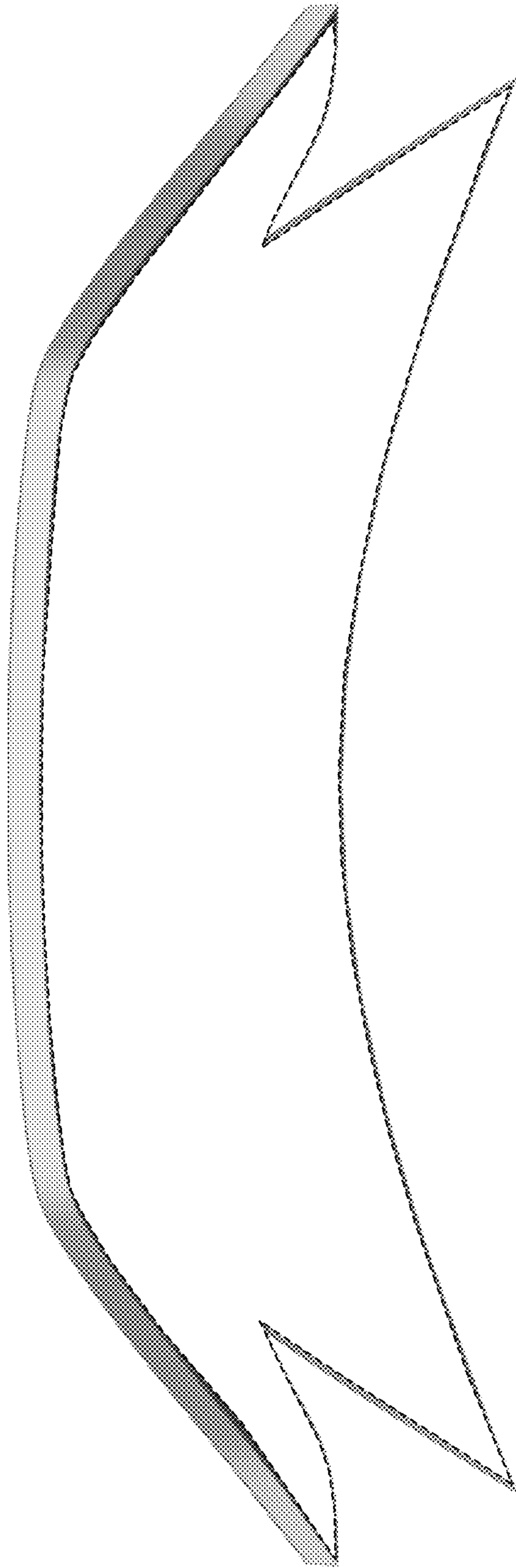


FIG. 3

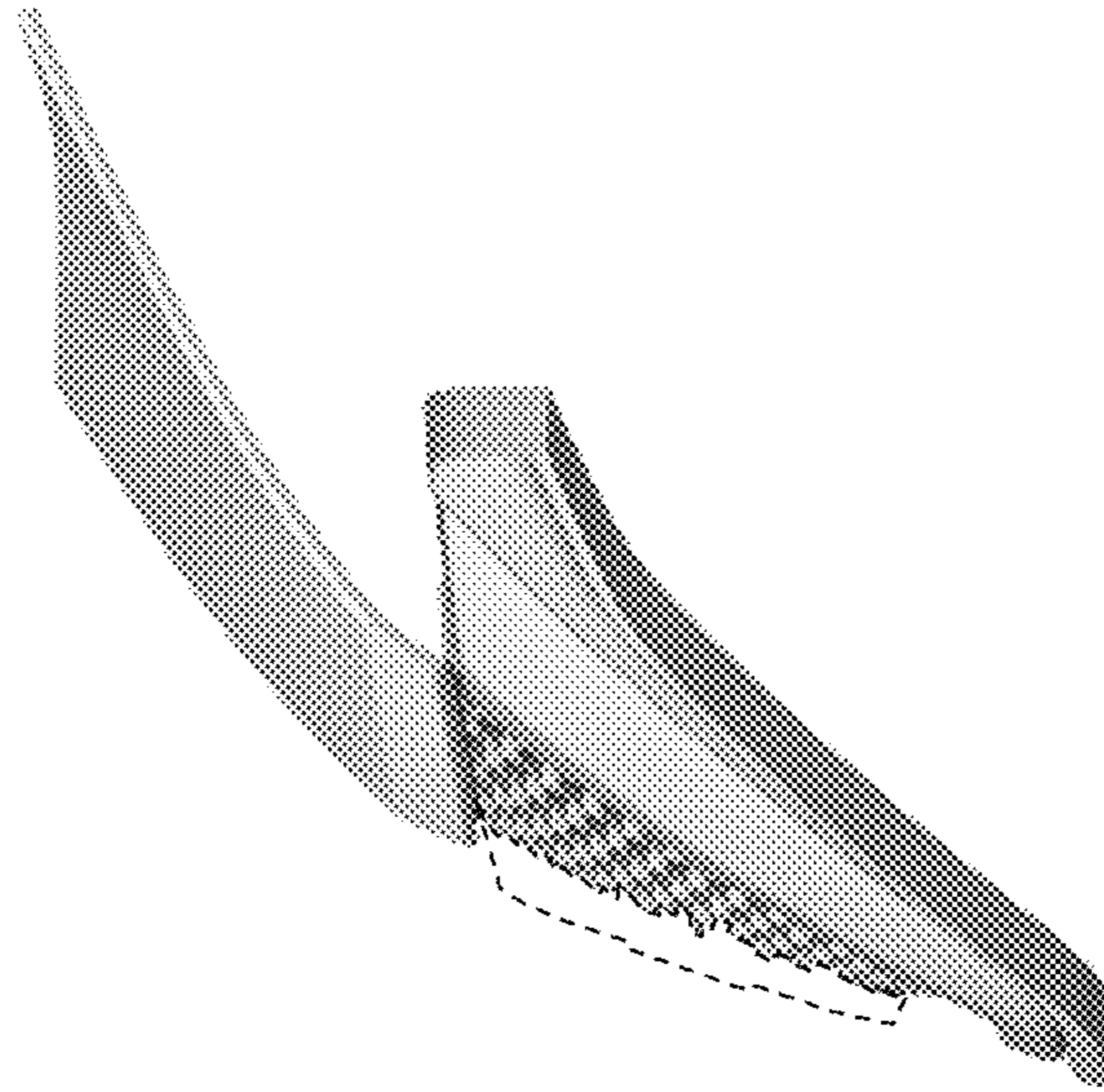


FIG. 4

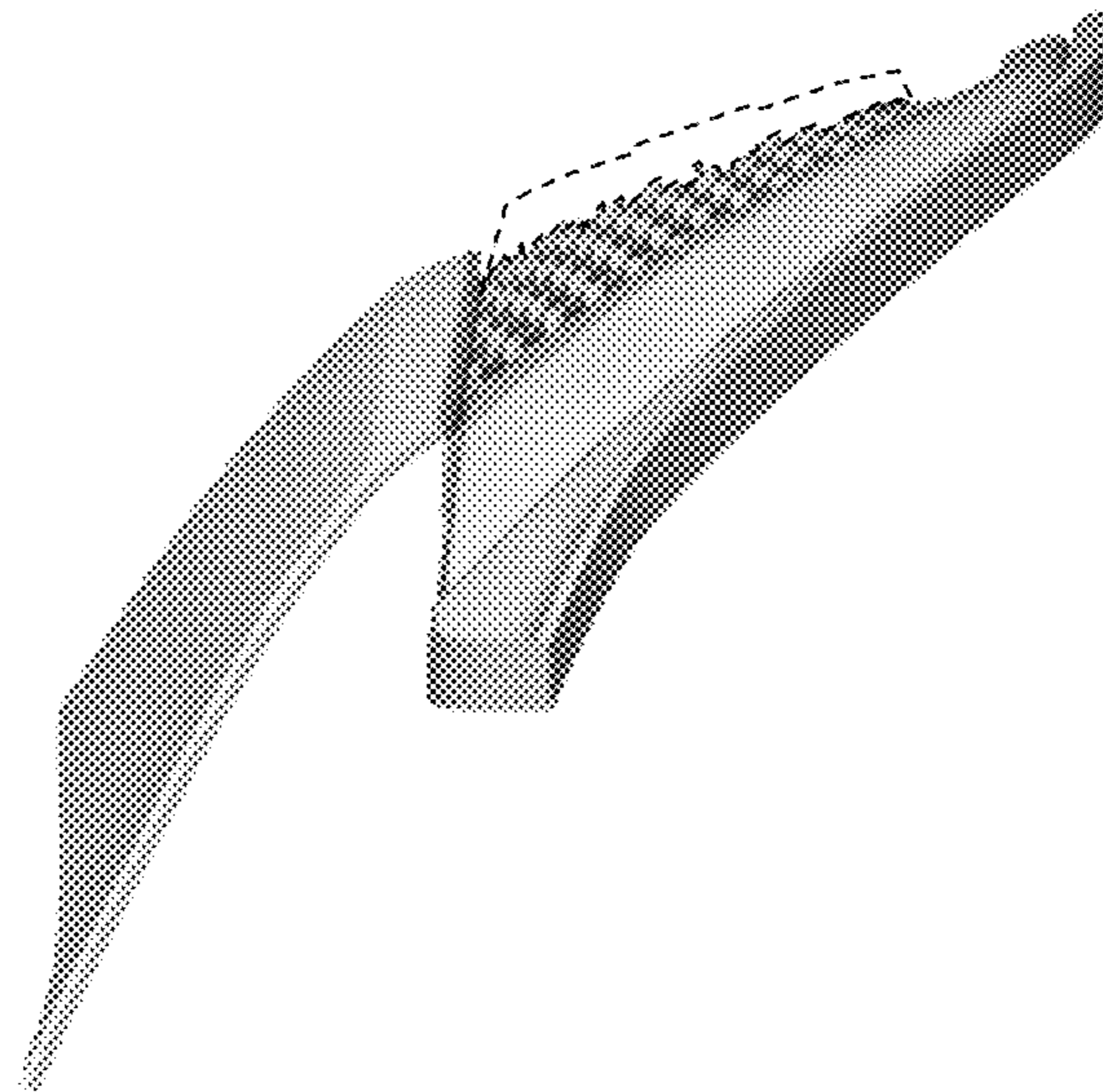


FIG. 5

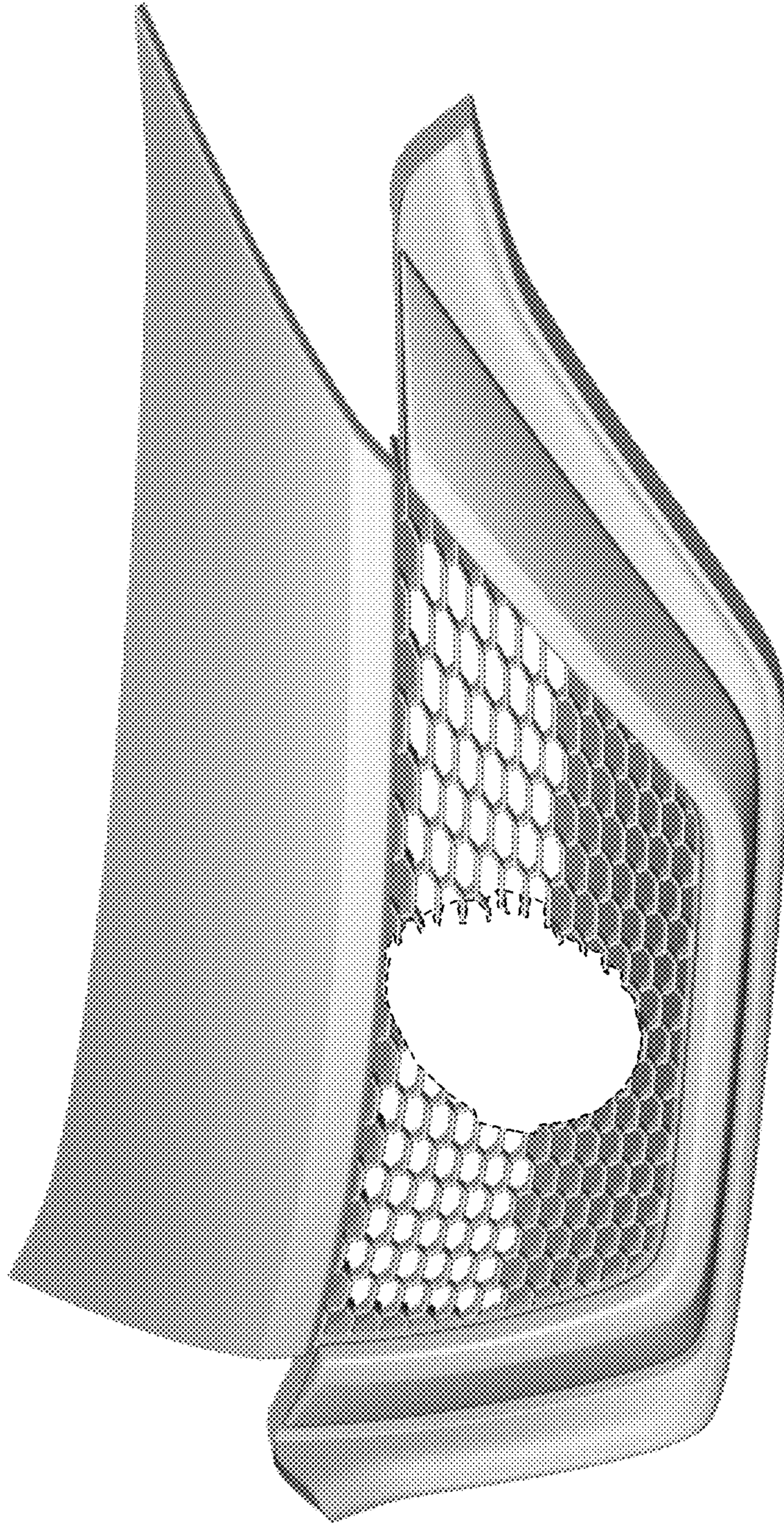


FIG. 6

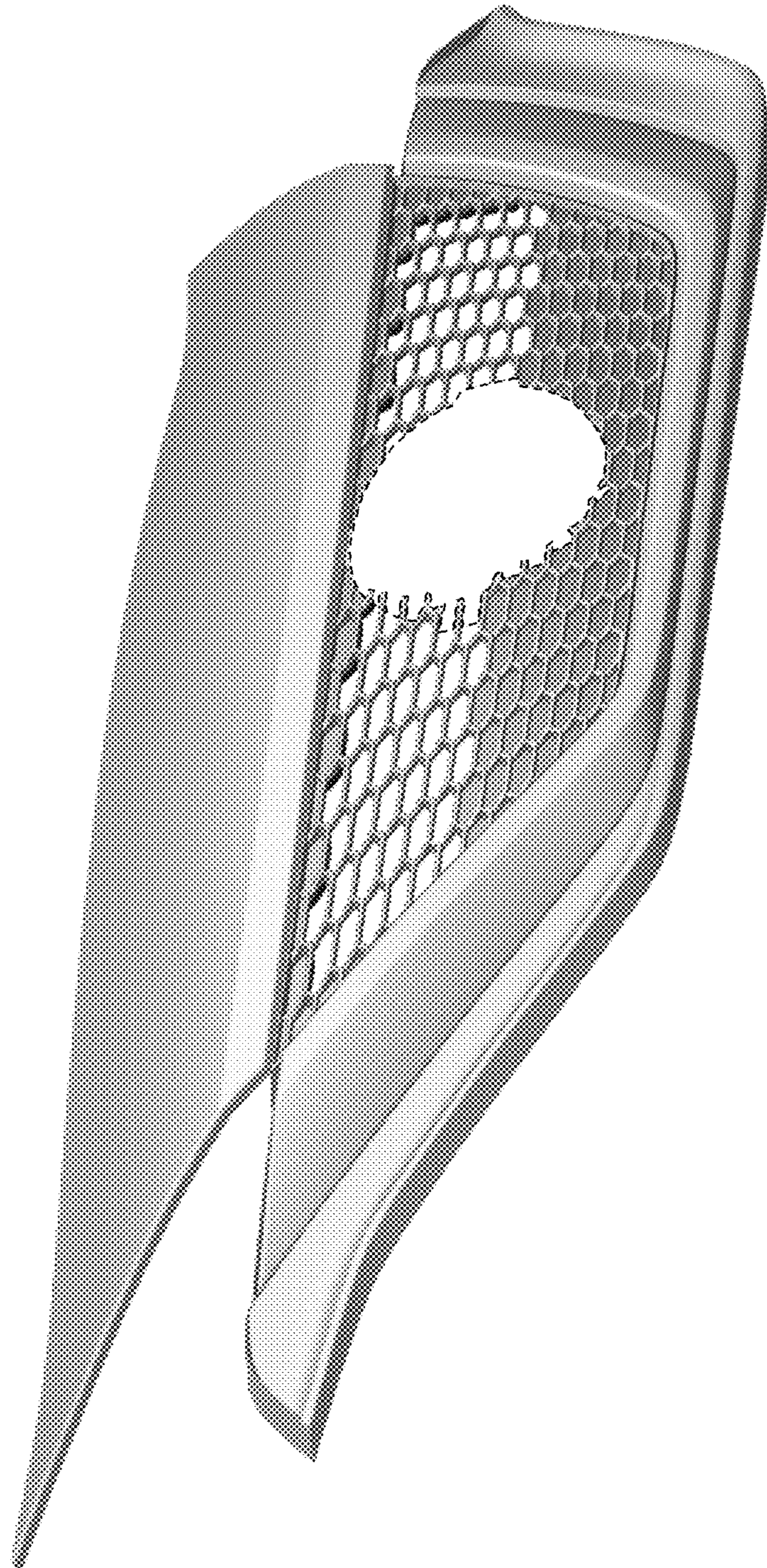


FIG. 7