

US00D81888S

(12) **United States Design Patent** (10) **Patent No.:** **US D818,888 S**
Koizumi et al. (45) **Date of Patent:** **** May 29, 2018**

(54) **RADIATOR GRILLE FOR AN AUTOMOBILE**

(71) Applicant: **Nissan Motor Co., Ltd.**, Yokohama, Kanagawa (JP)

(72) Inventors: **Kenichiro Koizumi**, San Diego, CA (US); **Jinwook Choi**, Tokyo (JP); **Tadashi Katou**, Kanagawa (JP)

(73) Assignee: **Nissan Motor Co., Ltd.**, Yokohama (JP)

(**) Term: **15 Years**

(21) Appl. No.: **29/573,277**

(22) Filed: **Aug. 4, 2016**

(30) **Foreign Application Priority Data**

Feb. 5, 2016 (JP) 2016-002499

(51) **LOC (11) Cl.** **12-16**

(52) **U.S. Cl.**
USPC **D12/163**

(58) **Field of Classification Search**
USPC D12/86, 91, 93, 163, 164, 166, 167, 169, D12/171, 172, 173, 190, 216
CPC B62D 25/08; B62B 9/16; B60K 11/04; B60K 11/08; B60K 11/085; B60R 19/12; B60R 19/38; B60R 19/52; B60R 19/023; B60R 13/00; B60R 13/005; B60R 13/04; B60Q 1/50; B60Q 1/2661; B60Q 1/38
See application file for complete search history.

(56) **References Cited**

U.S. PATENT DOCUMENTS

D496,890 S * 10/2004 Metros D12/163
D668,590 S * 10/2012 Furst D12/163

D687,751 S * 8/2013 Futschik D12/163
D701,798 S * 4/2014 Futschik D12/164
D759,551 S * 6/2016 Nakahara D12/163
D769,160 S * 10/2016 Platto D12/163
D783,465 S * 4/2017 Choi D12/163
D789,841 S * 6/2017 Malczewski D12/163
D790,412 S * 6/2017 Dunford D12/163
D790,413 S * 6/2017 Doyle D12/164
D793,918 S * 8/2017 Kozub D12/163
D794,517 S * 8/2017 Woolley D12/163
2017/0137954 A1 * 5/2017 Hashimoto B60K 11/08

* cited by examiner

Primary Examiner — Susan Bennett Hattan

Assistant Examiner — Suzanne E Tisdell

(57) **CLAIM**

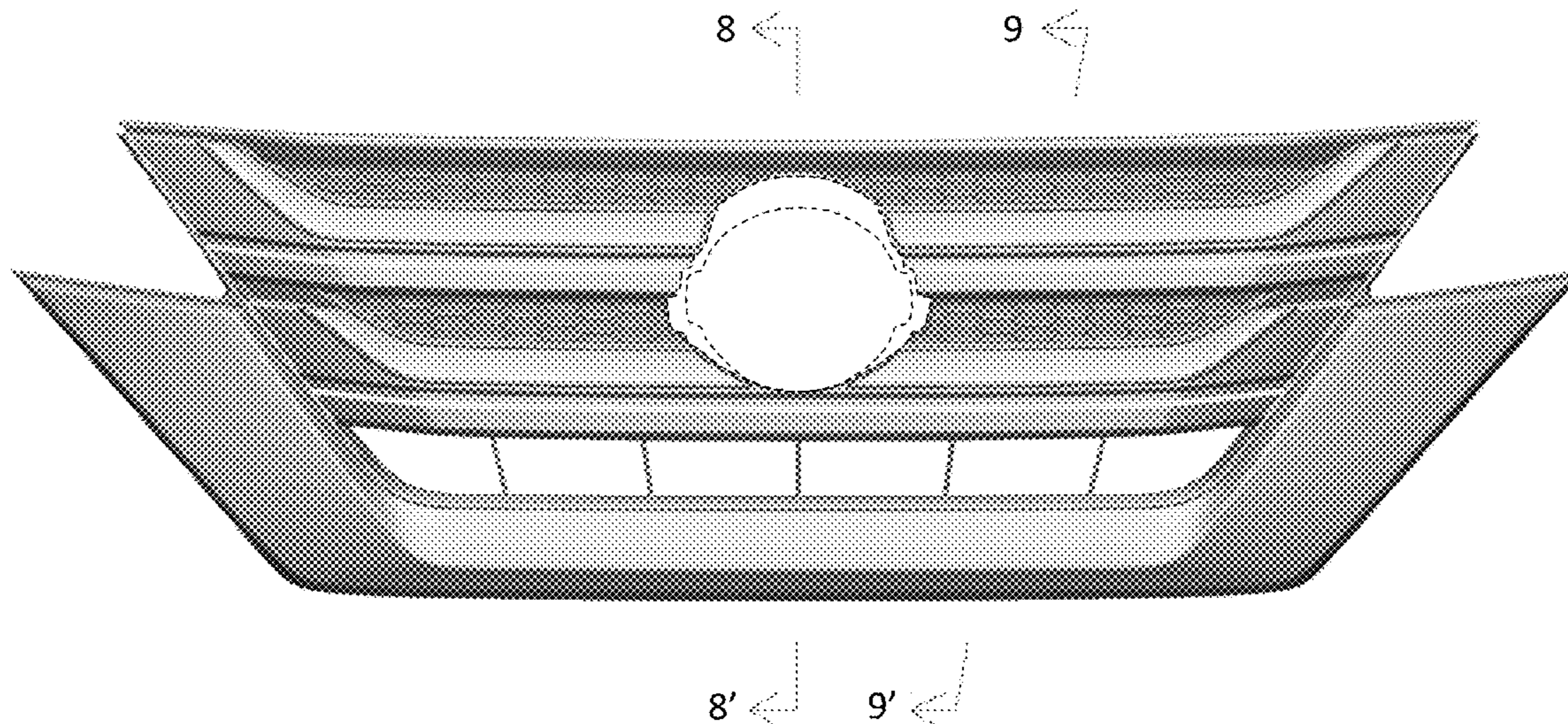
The ornamental design for a radiator grille for an automobile, as shown and described.

DESCRIPTION

FIG. 1 is a front elevational view of a radiator grille for an automobile in accordance with our new design;
FIG. 2 is a top plan view thereof;
FIG. 3 is a bottom plan view thereof;
FIG. 4 is a left side elevational view thereof;
FIG. 5 is a right side elevational view thereof;
FIG. 6 is a front-right-top side perspective view thereof;
FIG. 7 is a front-left-bottom side perspective view thereof;
FIG. 8 is an enlarged cross-sectional view thereof, taken along a section line 8-8' in FIG. 1; and,
FIG. 9 is an enlarged cross-sectional view thereof, taken along a section line 9-9' in FIG. 1.

The broken line shown on the radiator grille is for purpose of illustrating environmental structure and forms no part of the claimed design. The rear view of the radiator grille forms no part of the claimed design.

1 Claim, 9 Drawing Sheets



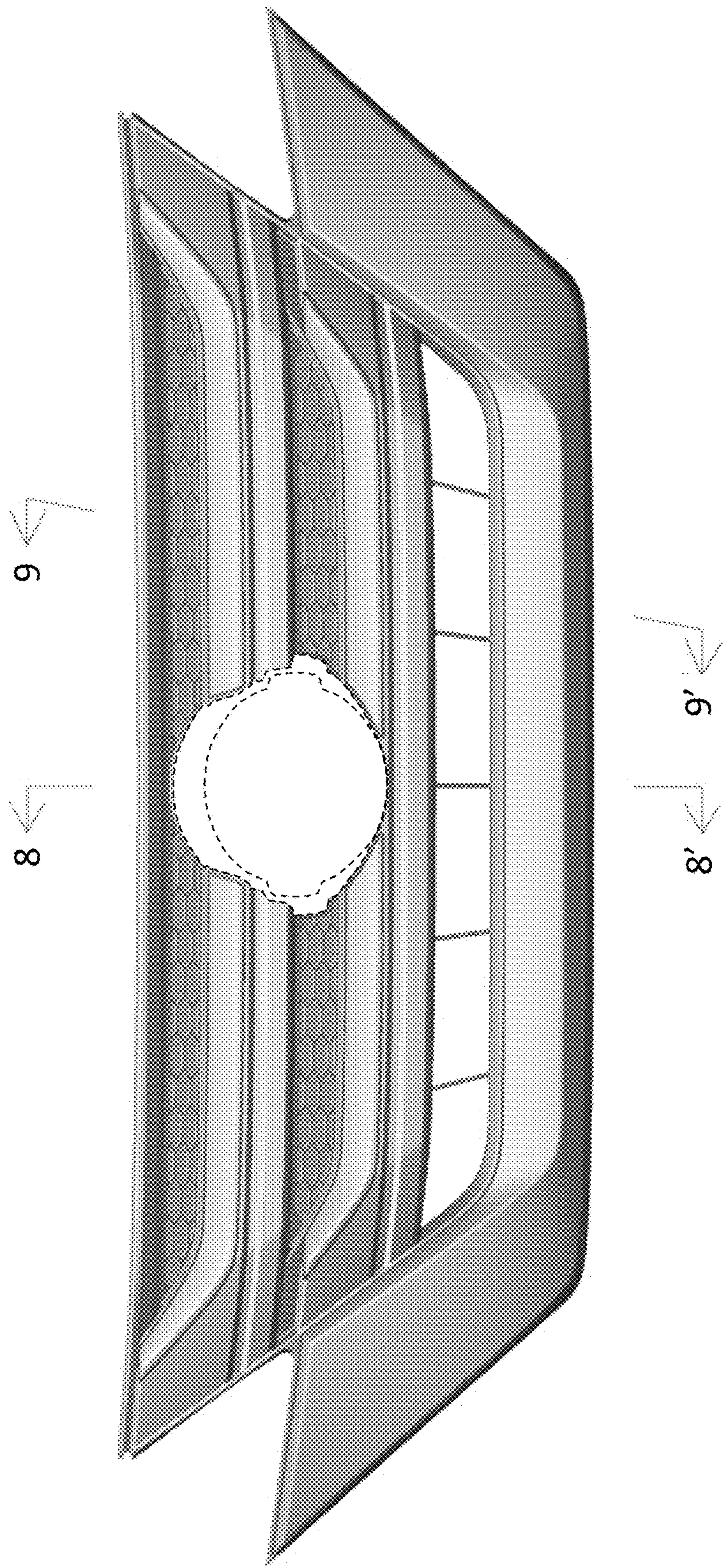


FIG. 1

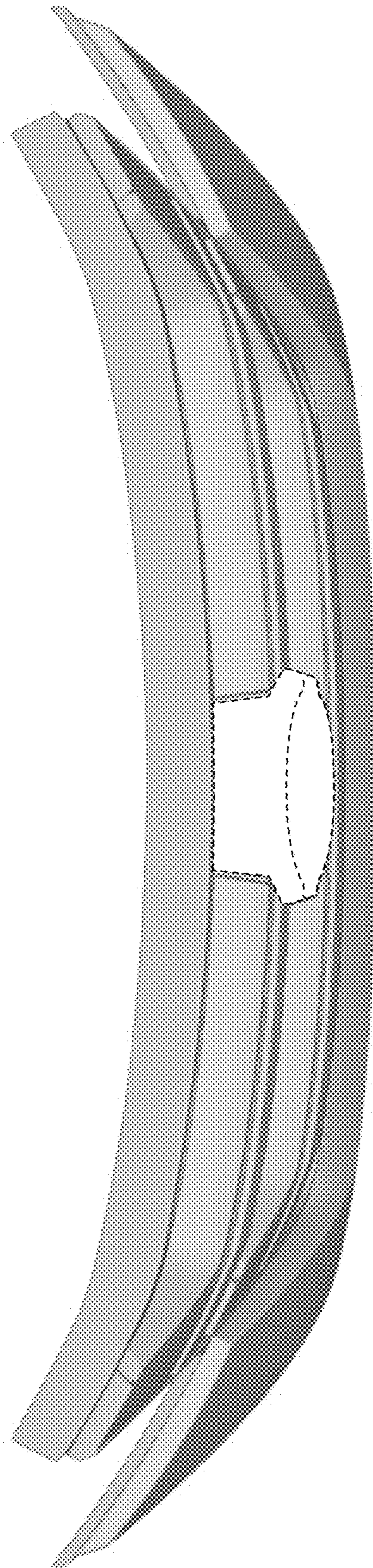


FIG. 2

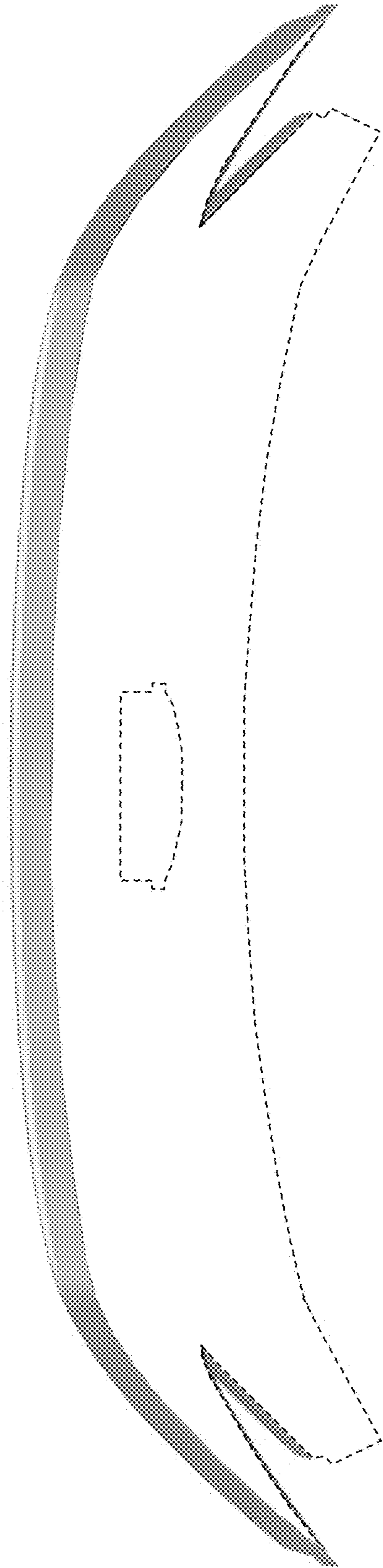


FIG. 3

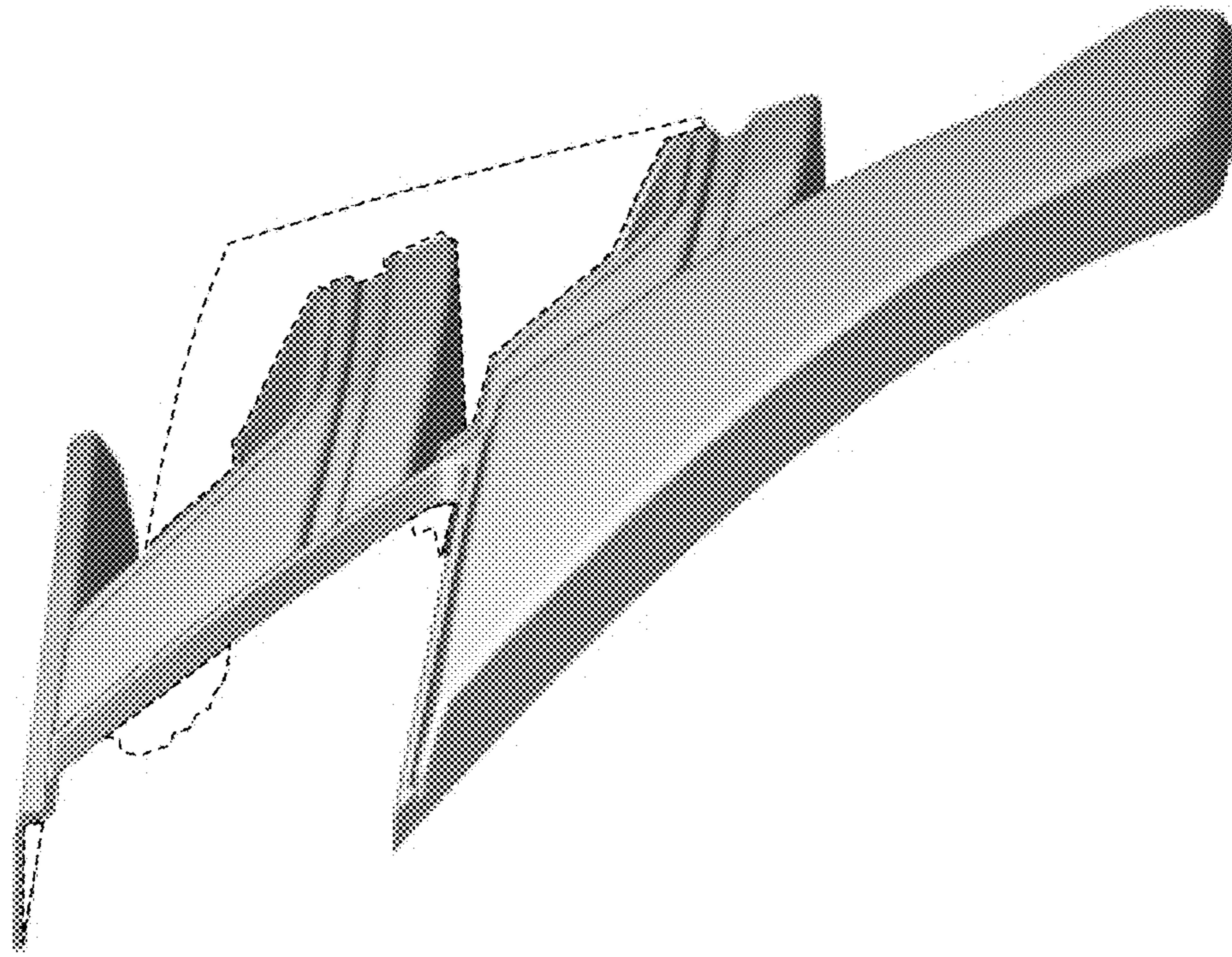


FIG. 4

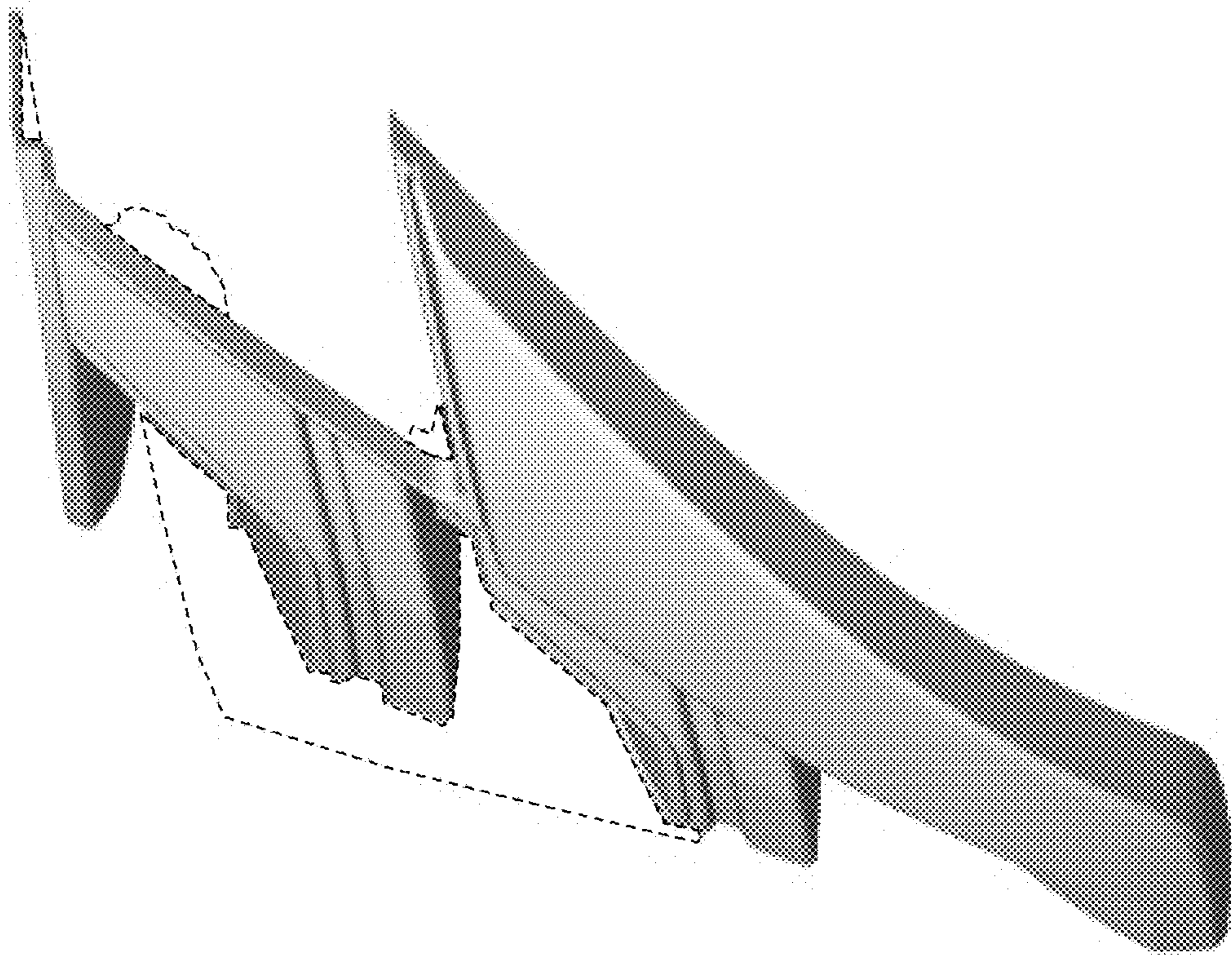


FIG. 5

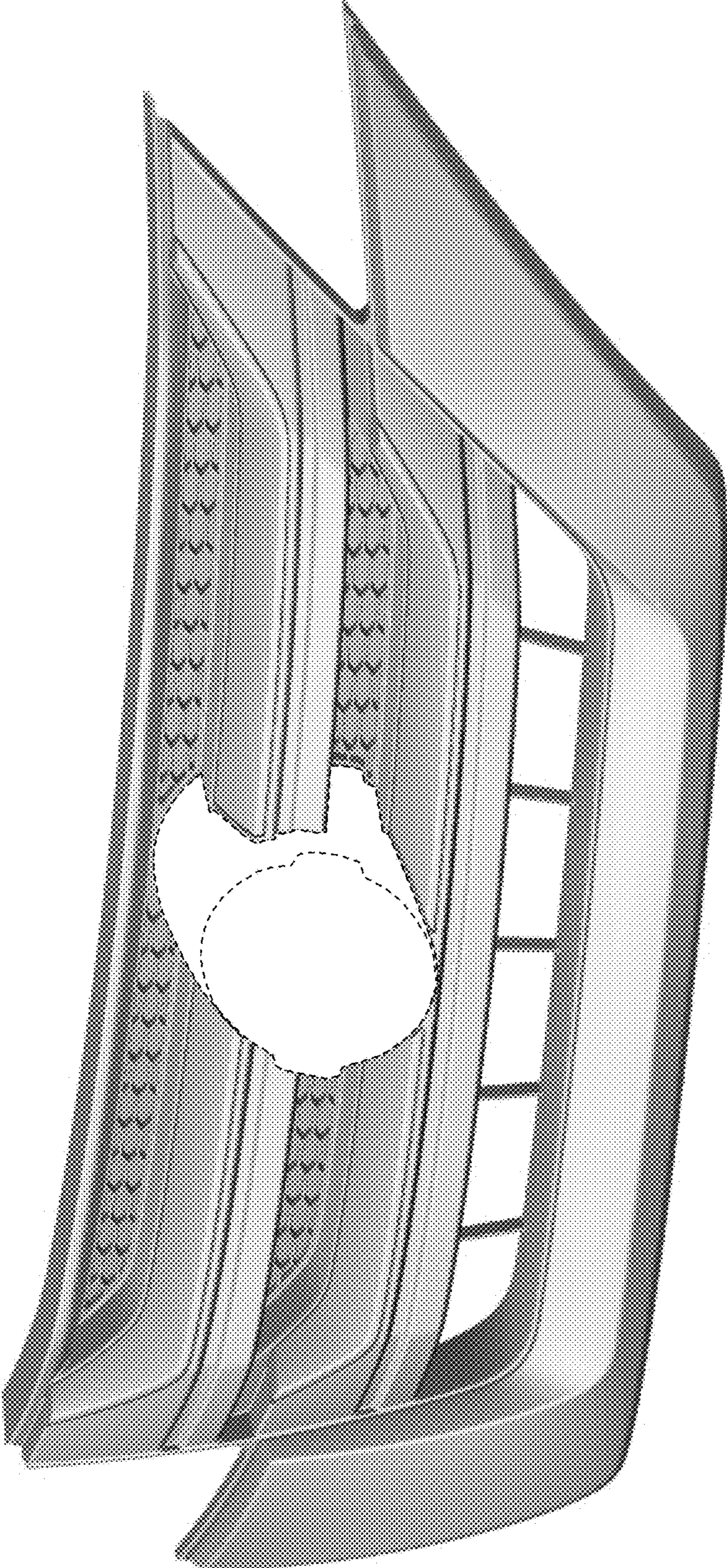


FIG. 6

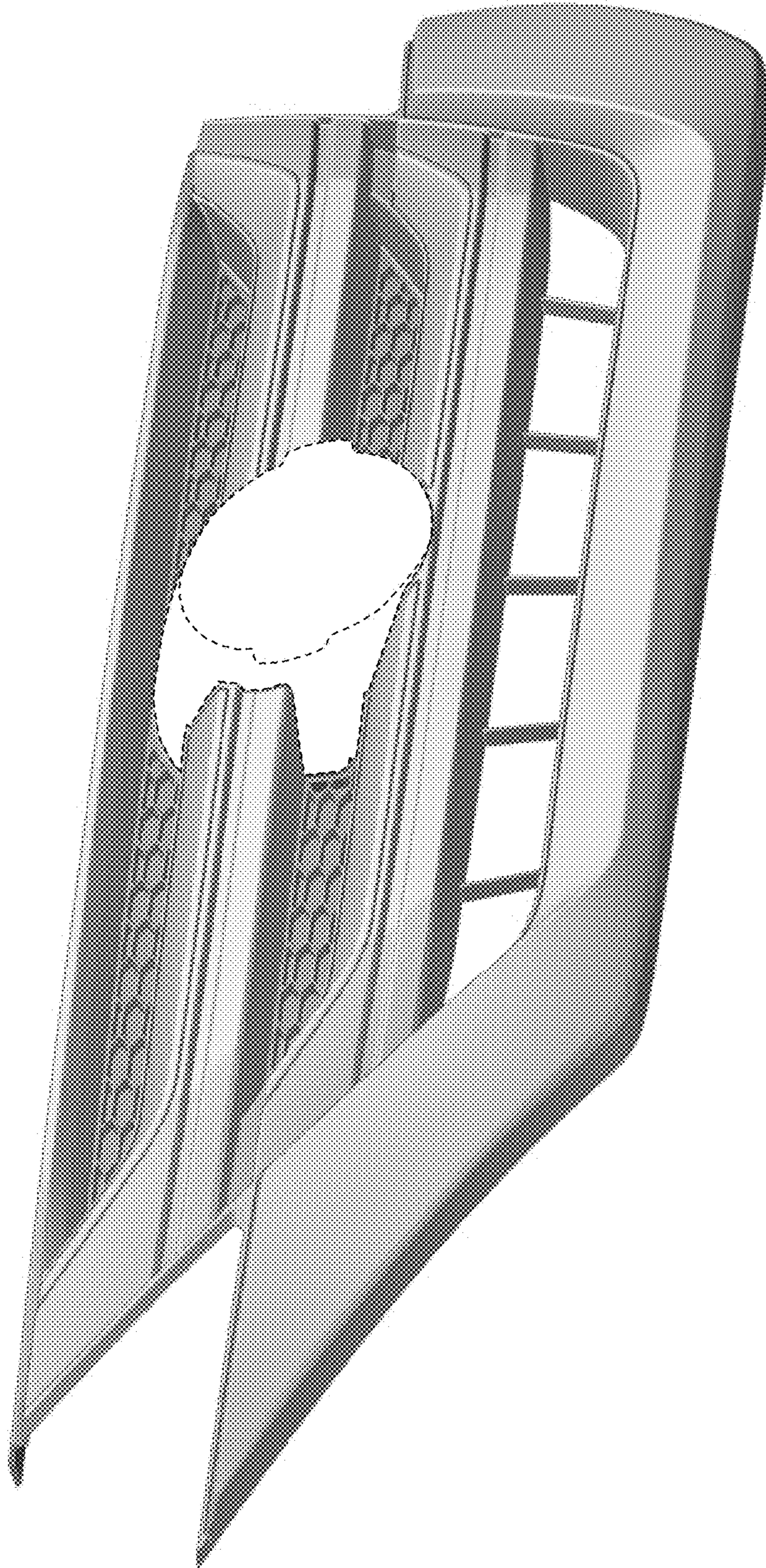


FIG. 7

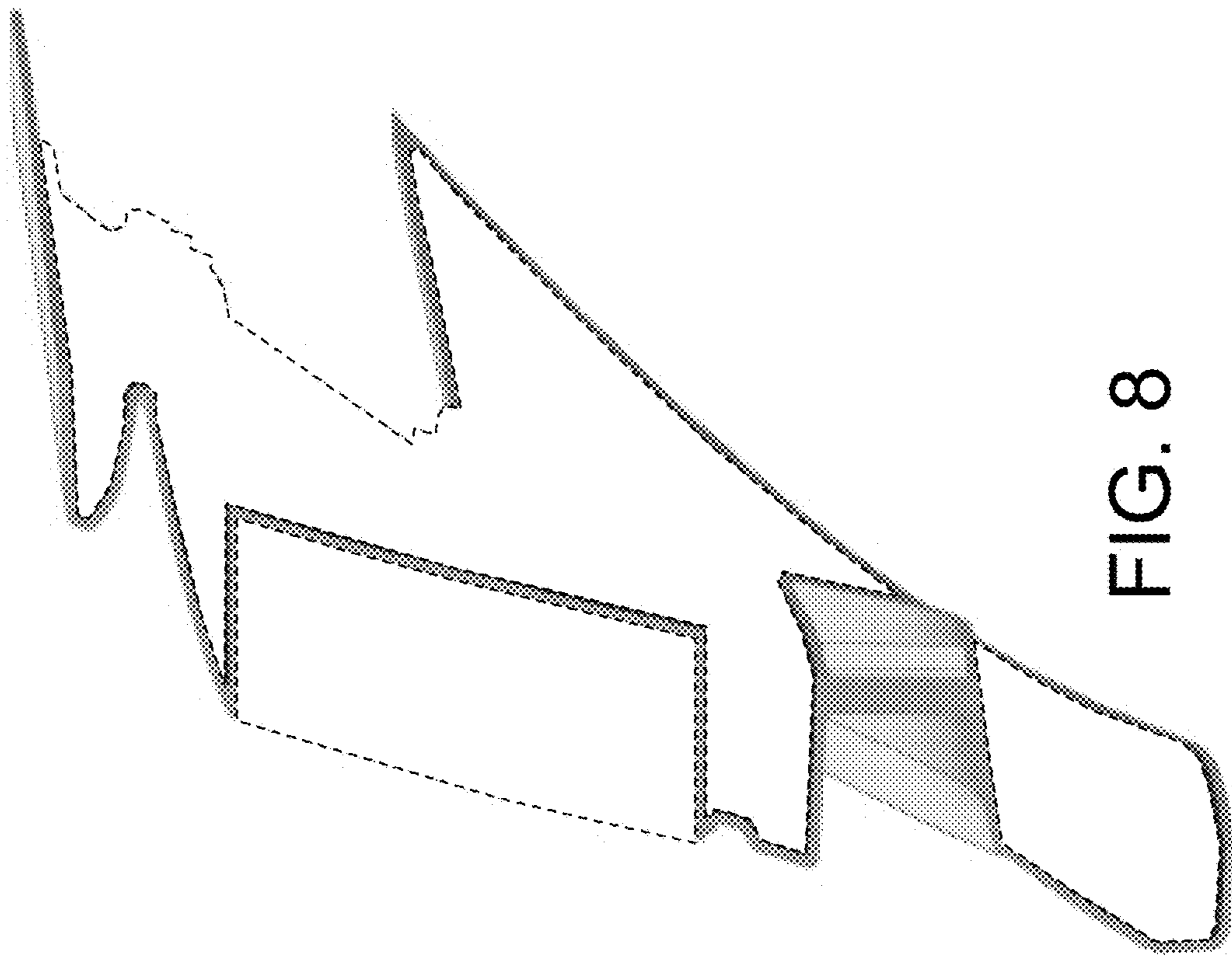


FIG. 8

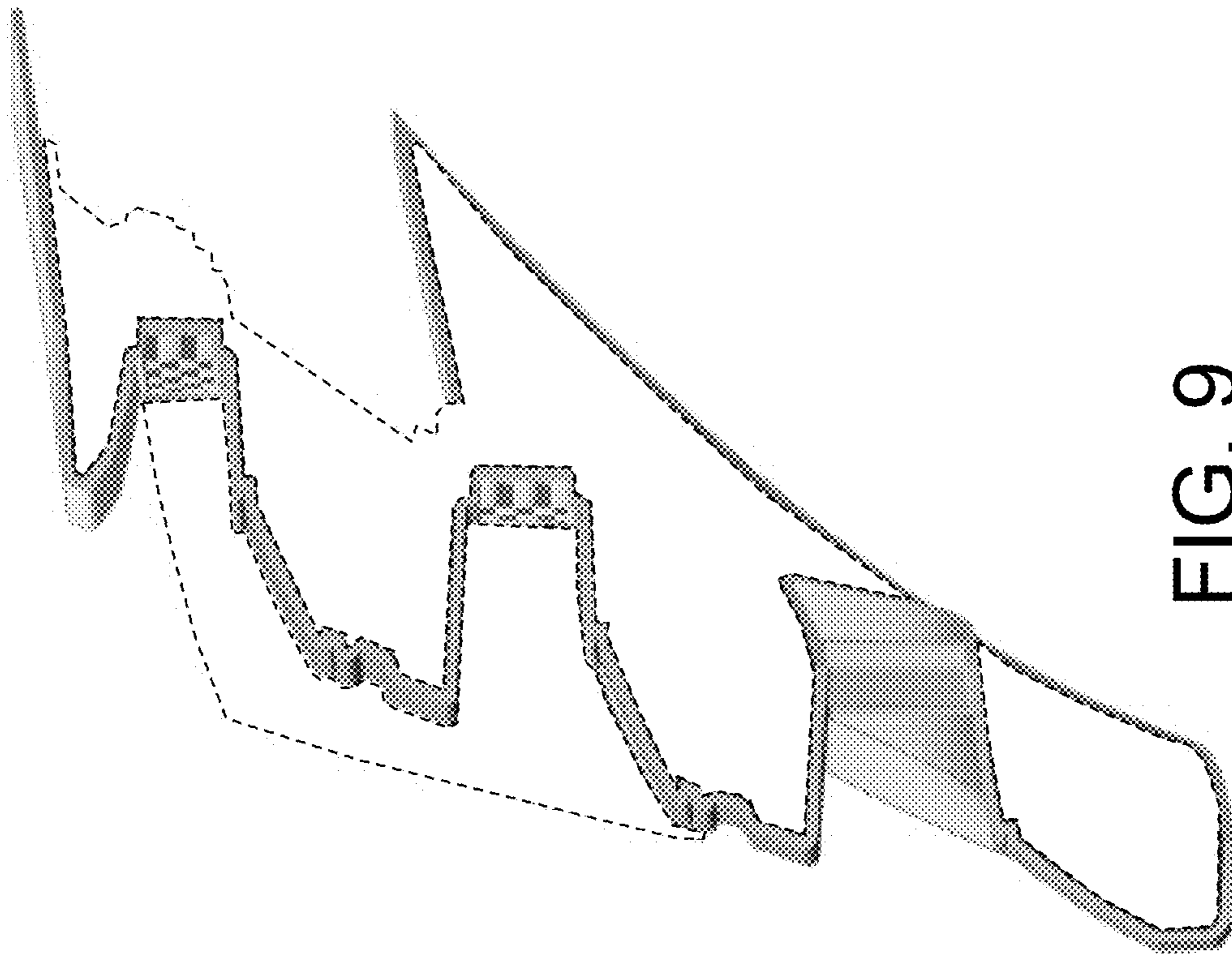


FIG. 9