



US00D818885S

(12) **United States Design Patent**  
**Seo**

(10) **Patent No.:** **US D818,885 S**

(45) **Date of Patent:** **\*\* May 29, 2018**

(54) **RADIATOR GRILLE FOR AN AUTOMOBILE**

(71) Applicant: **Nissan Motor Co., Ltd.**, Yokohama,  
Kanagawa (JP)

(72) Inventor: **Kuniharu Seo**, Kanagawa (JP)

(73) Assignee: **Nissan Motor Co., Ltd.**, Yokohama  
(JP)

(\*\*) Term: **15 Years**

(21) Appl. No.: **29/568,903**

(22) Filed: **Jun. 22, 2016**

(30) **Foreign Application Priority Data**

Dec. 23, 2015 (JP) ..... 2015-028619

(51) **LOC (11) Cl.** ..... **12-16**

(52) **U.S. Cl.**  
USPC ..... **D12/163**

(58) **Field of Classification Search**

USPC .... D12/86, 91, 93, 163, 164, 166, 167, 169,  
D12/171, 172, 173, 190, 216

CPC ..... B62D 25/08; B62B 9/16; B60K 11/08;  
B60R 19/52

See application file for complete search history.

(56) **References Cited**

**U.S. PATENT DOCUMENTS**

D497,849 S	*	11/2004	Yanase	.....	D12/163
D570,259 S	*	6/2008	Choi	.....	D12/163
D592,111 S	*	5/2009	Janik	.....	D12/163
D614,534 S	*	4/2010	Weaver	.....	D12/90
D614,542 S	*	4/2010	Kasai	.....	D12/163
D628,938 S	*	12/2010	Yamazaki	.....	D12/91
D634,676 S	*	3/2011	Iida	.....	D12/163
D637,113 S	*	5/2011	Yukawa	.....	D12/92
D670,214 S	*	11/2012	Watanabe	.....	D12/163

D682,752 S	*	5/2013	Yoshida	.....	D12/163
D686,117 S	*	7/2013	Tase	.....	D12/163
D695,645 S	*	12/2013	Tase	.....	D12/91
D705,137 S	*	5/2014	Kawasaki	.....	D12/163
D748,015 S	*	1/2016	Ino	.....	D12/98
D766,782 S	*	9/2016	Arroba	.....	D12/163
D773,341 S	*	12/2016	Liu	.....	D12/92
D774,999 S	*	12/2016	Liu	.....	D12/163
D783,465 S	*	4/2017	Choi	.....	D12/163
D789,844 S	*	6/2017	Sakai	.....	D12/163
D789,845 S	*	6/2017	Oohashi	.....	D12/163
D792,814 S	*	7/2017	Kozub	.....	D12/163
2017/0137954 A1	*	5/2017	Hashimoto	.....	B60K 11/08

\* cited by examiner

*Primary Examiner* — Susan Bennett Hattan

*Assistant Examiner* — Suzanne E Tisdell

(57) **CLAIM**

The ornamental design for a radiator grille for an automobile, as shown and described.

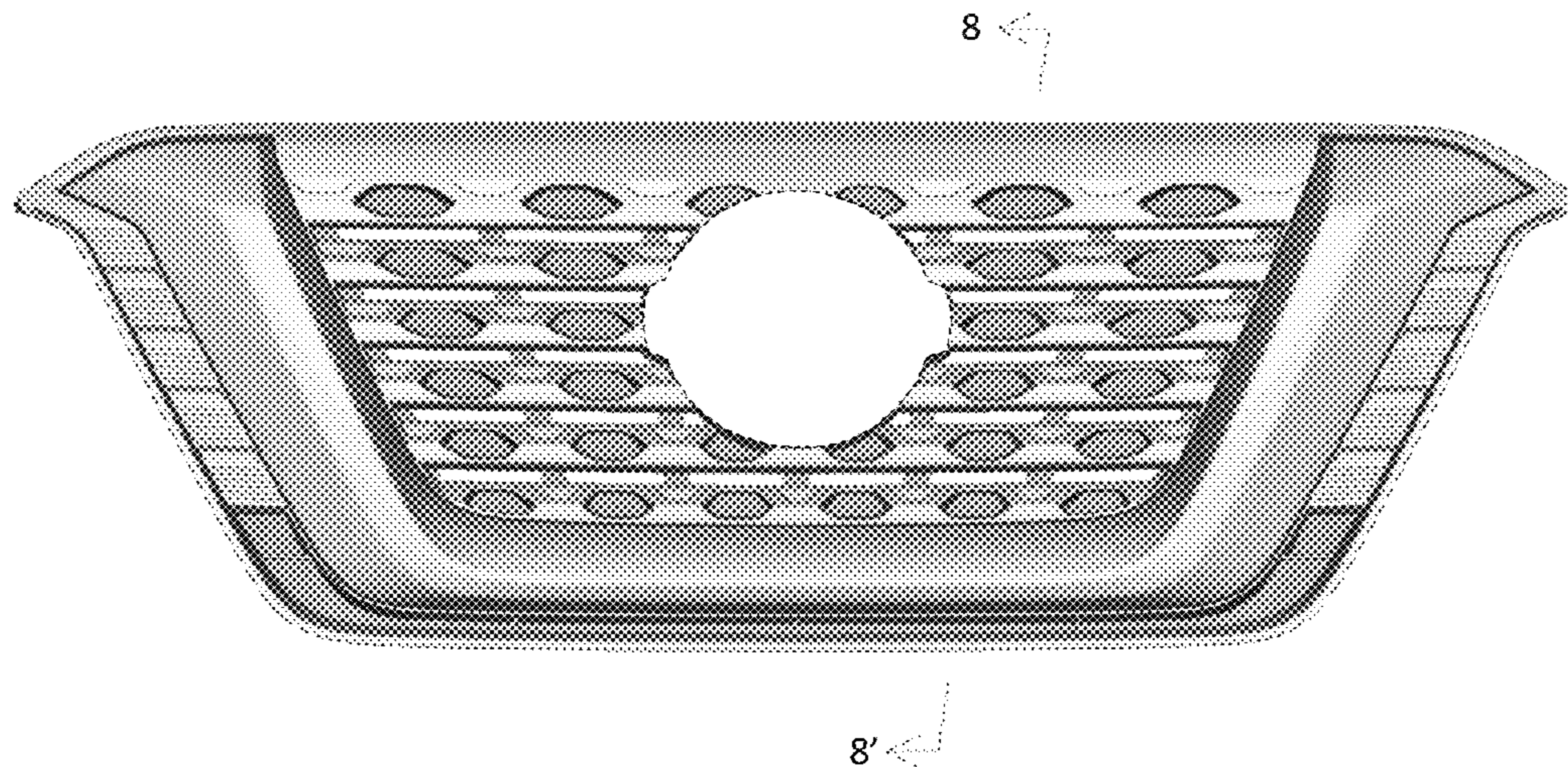
**DESCRIPTION**

FIG. 1 is a front elevational view of a radiator grille for an automobile in accordance with my new design;  
FIG. 2 is a top plan view thereof;  
FIG. 3 is a bottom plan view thereof;  
FIG. 4 is a left side elevational view thereof;  
FIG. 5 is a right side elevational view thereof;  
FIG. 6 is a front-right-top side perspective view thereof;  
FIG. 7 is a front-left-bottom side perspective view thereof;  
and,

FIG. 8 is an enlarged cross-sectional view thereof, taken in the direction of a section line 8-8' in FIG. 1.

The broken line shown on the radiator grille is for purpose of illustrating environmental structure and forms no part of the claimed design. The rear view of the radiator grille forms no part of the claimed design.

**1 Claim, 8 Drawing Sheets**



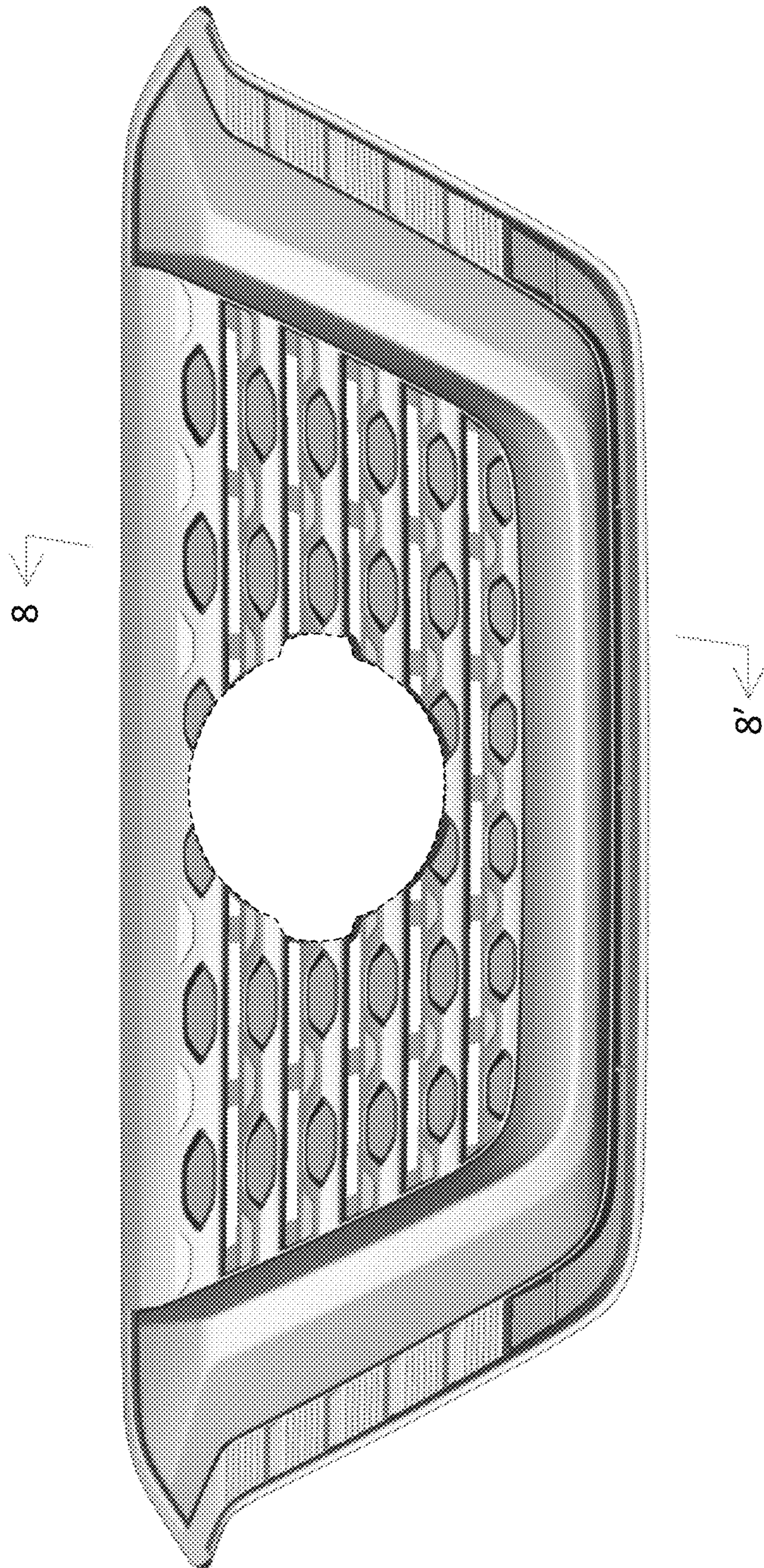


FIG. 1

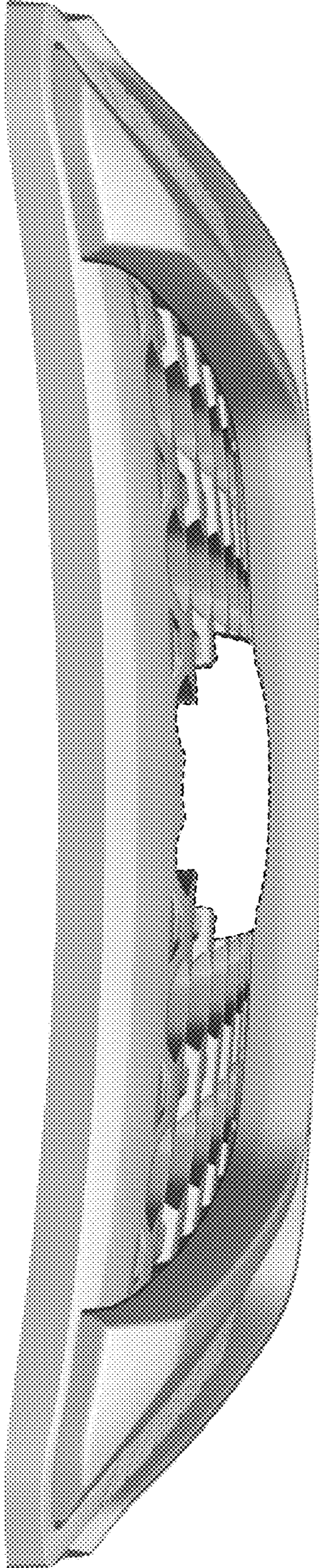


FIG. 2

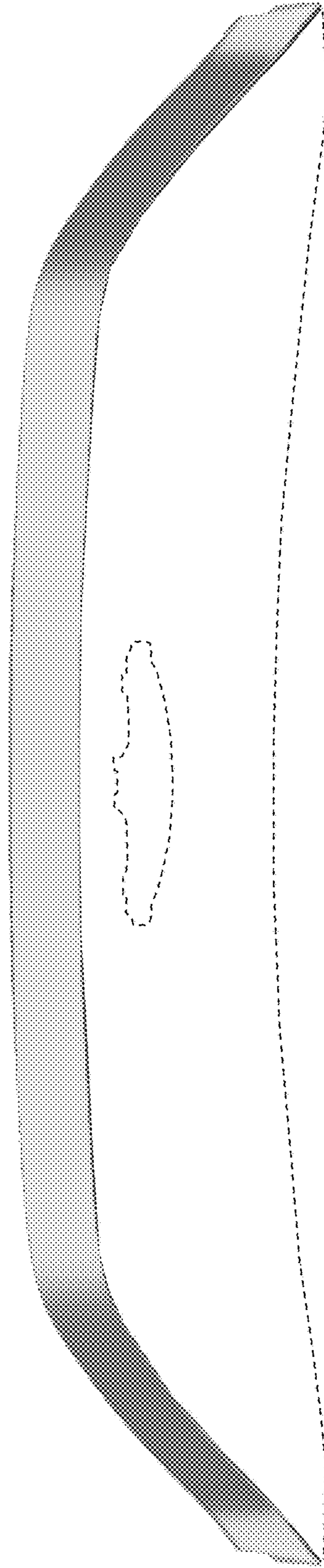


FIG. 3

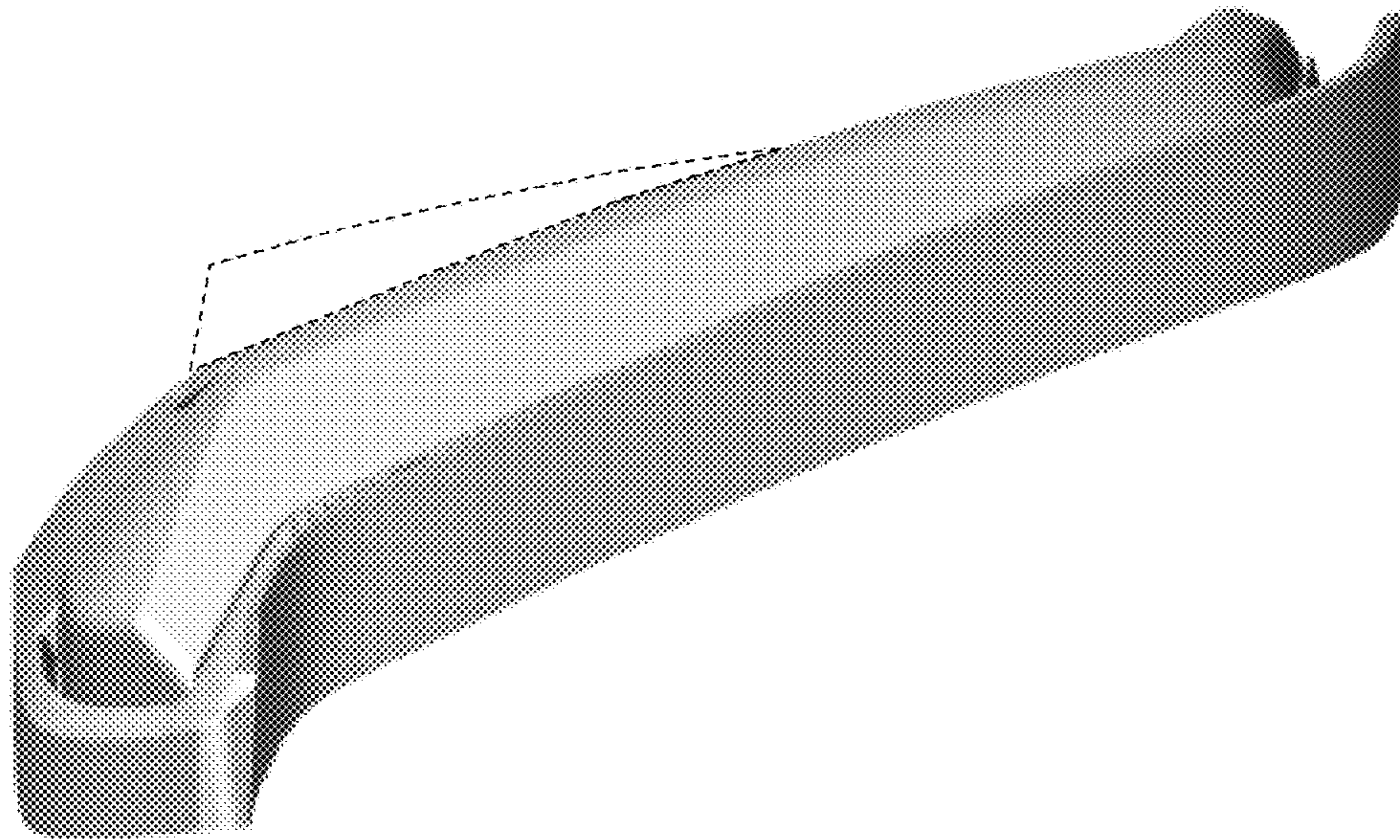


FIG. 4

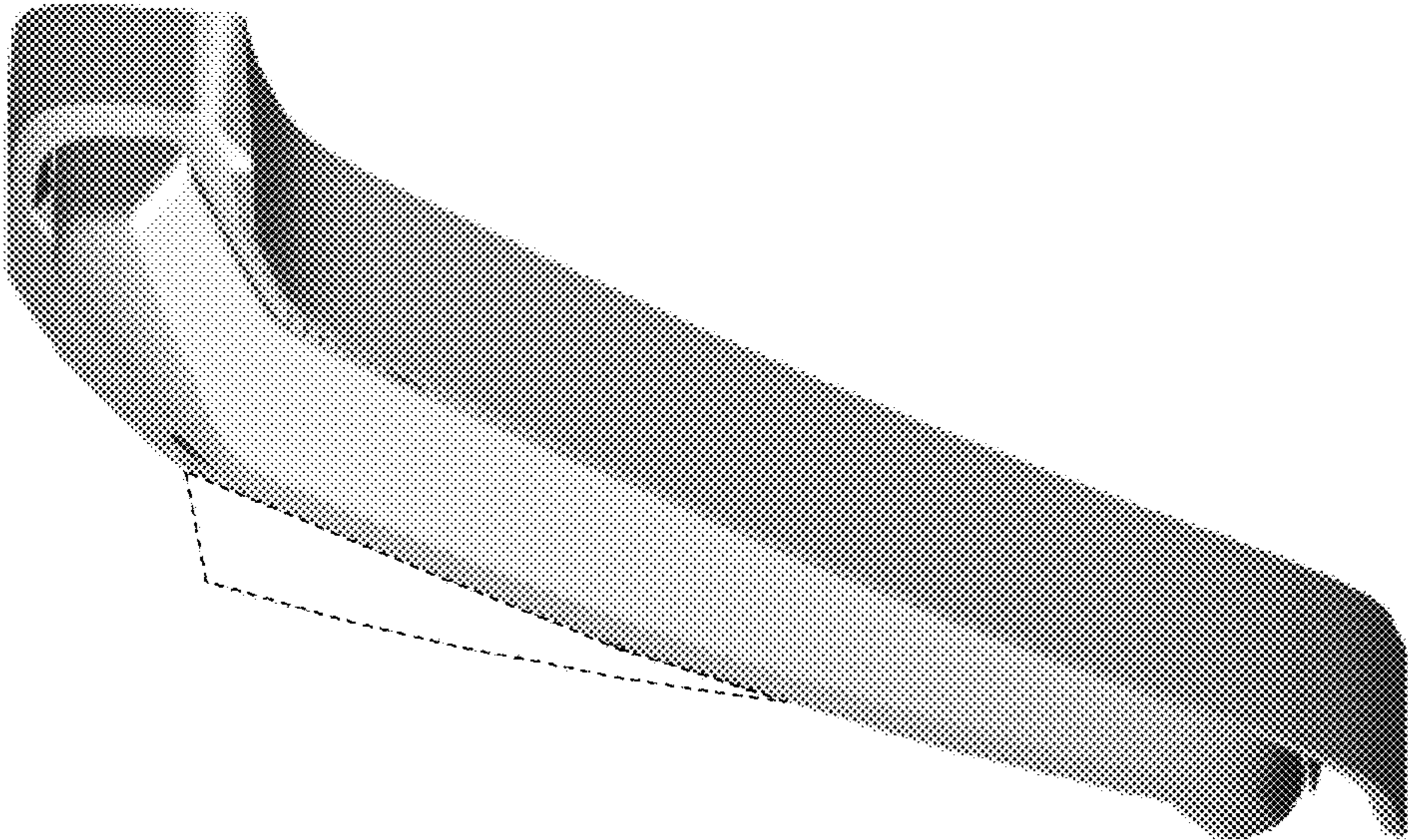


FIG. 5



FIG. 6

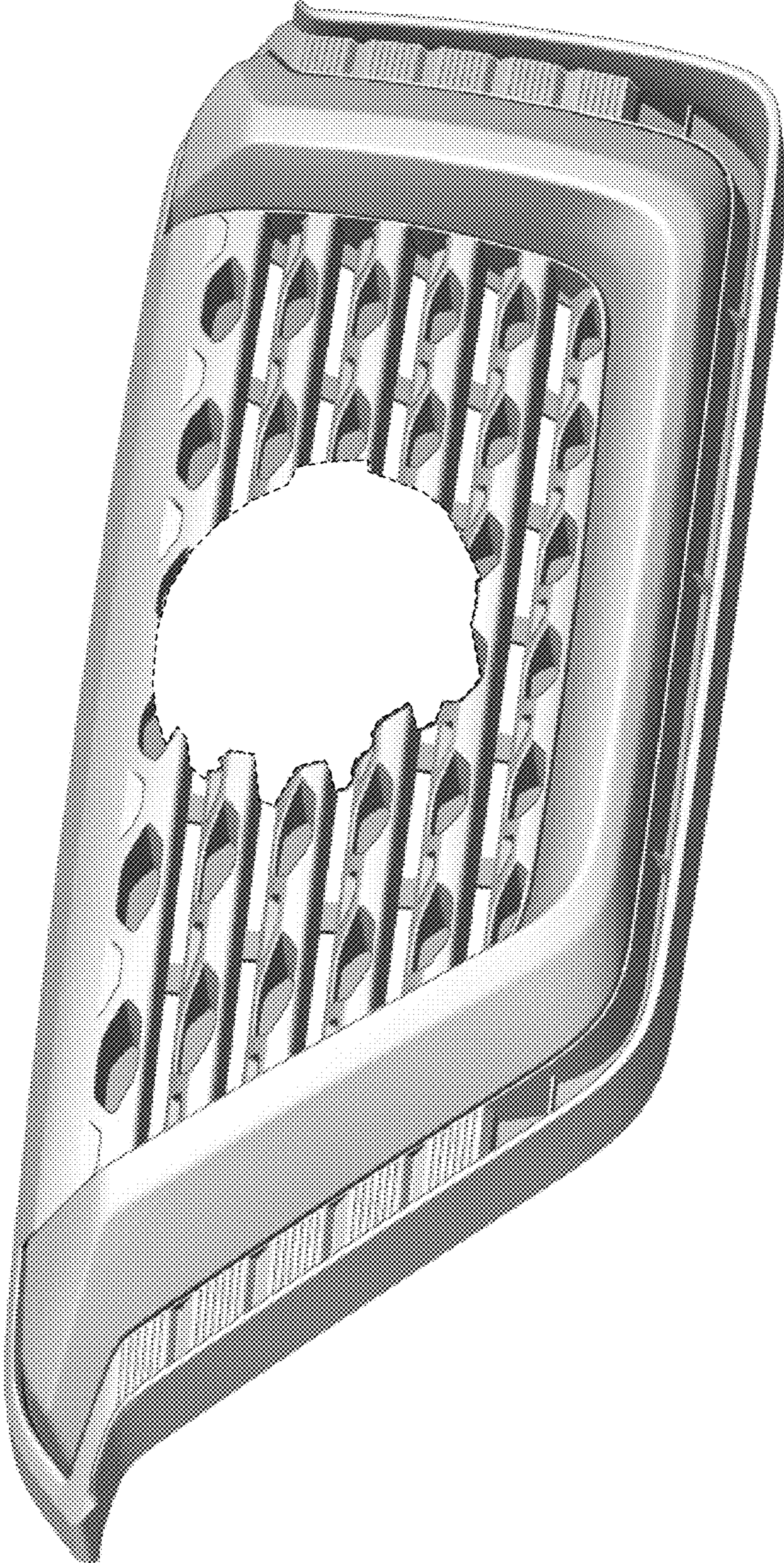


FIG. 7



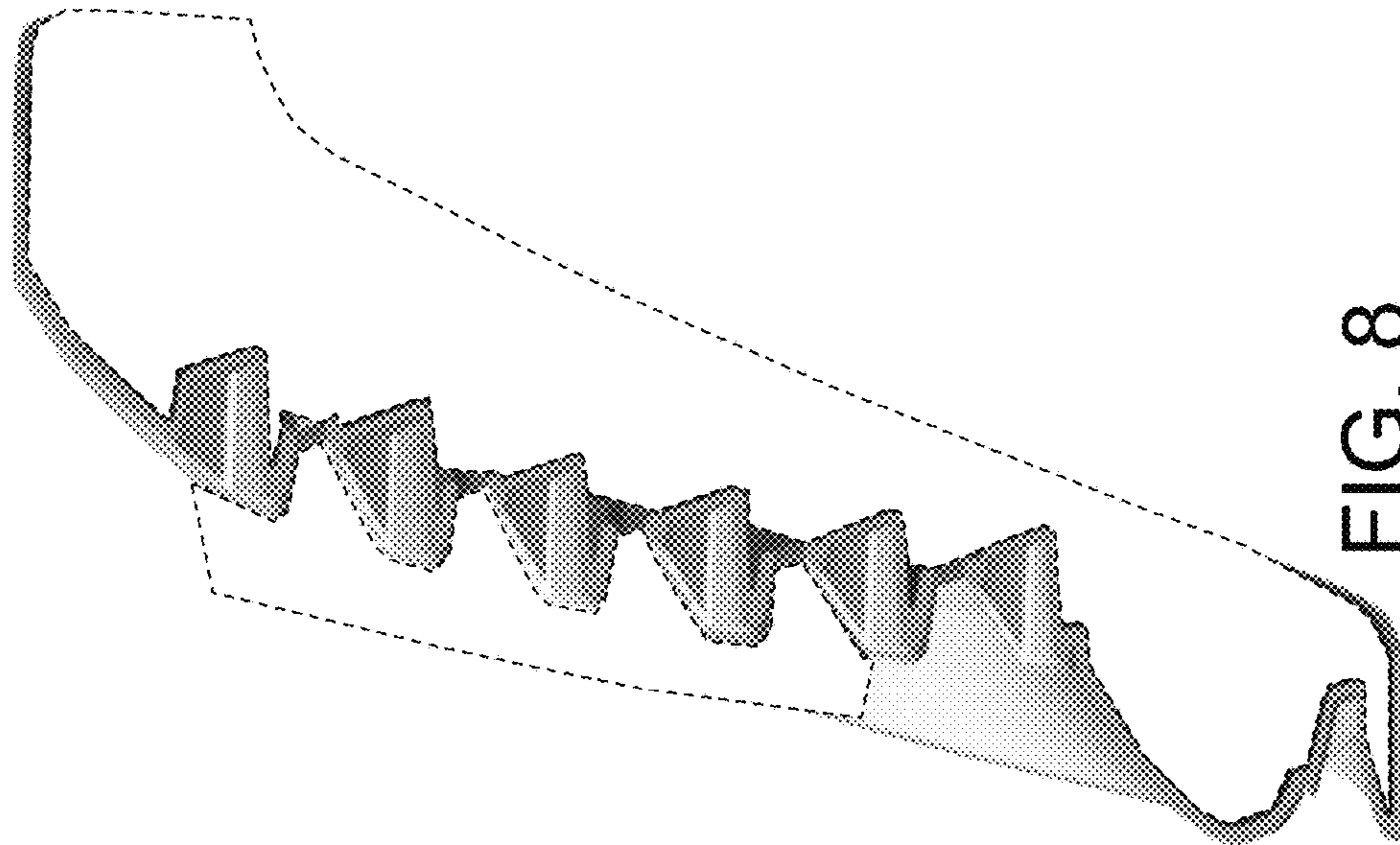


FIG. 8