



US00D818877S

(12) **United States Design Patent** (10) **Patent No.:** **US D818,877 S**  
**Nakamura et al.** (45) **Date of Patent:** **\*\* May 29, 2018**

(54) **VEHICLE BODY EXTERIOR**  
(71) Applicant: **GM GLOBAL TECHNOLOGY OPERATIONS LLC**, Detroit, MI (US)  
(72) Inventors: **Luciano M. Nakamura**, West Bloomfield, MI (US); **Maxwell A. Sullivan**, Royal Oak, MI (US); **Clayton Davis**, Madison Heights, MI (US)  
(73) Assignee: **GM Global Technology Operations LLC**, Detroit, MI (US)  
(\*\*) Term: **15 Years**  
(21) Appl. No.: **29/585,665**  
(22) Filed: **Nov. 28, 2016**  
(51) **LOC (11) Cl.** ..... **12-08**  
(52) **U.S. Cl.**  
USPC ..... **D12/91**  
(58) **Field of Classification Search**  
USPC ..... D12/86, 90-92, 88; D21/421, 433, 434;  
296/181.1, 181.5  
CPC ..... B62D 35/00; B62D 25/00; B62D 25/06;  
B62D 33/00  
See application file for complete search history.

D605,977 S 12/2009 Zipfel et al.  
D605,978 S 12/2009 Wolff et al.  
D608,249 S 1/2010 Peters  
D608,690 S 1/2010 Folden et al.  
D608,691 S 1/2010 Zak, Jr. et al.  
D609,608 S 2/2010 Boniface et al.  
D611,387 S 3/2010 Thompson et al.  
D611,879 S 3/2010 Kim et al.  
D612,297 S 3/2010 Peters et al.  
D613,645 S 4/2010 Song et al.  
D615,458 S 5/2010 Thompson et al.  
D618,595 S 6/2010 Ware et al.  
D623,090 S 9/2010 Cox et al.  
D626,040 S \* 10/2010 Sakae ..... D12/164  
D626,886 S \* 11/2010 Sakae ..... D12/91  
D627,262 S 11/2010 Ikeda et al.  
D635,488 S 4/2011 Phipps  
D644,147 S 8/2011 Suh et al.  
D644,567 S 9/2011 Kozub  
D651,942 S \* 1/2012 Cho ..... D12/91  
(Continued)

*Primary Examiner* — Melody N Brown  
(74) *Attorney, Agent, or Firm* — Reising Ethington P.C.

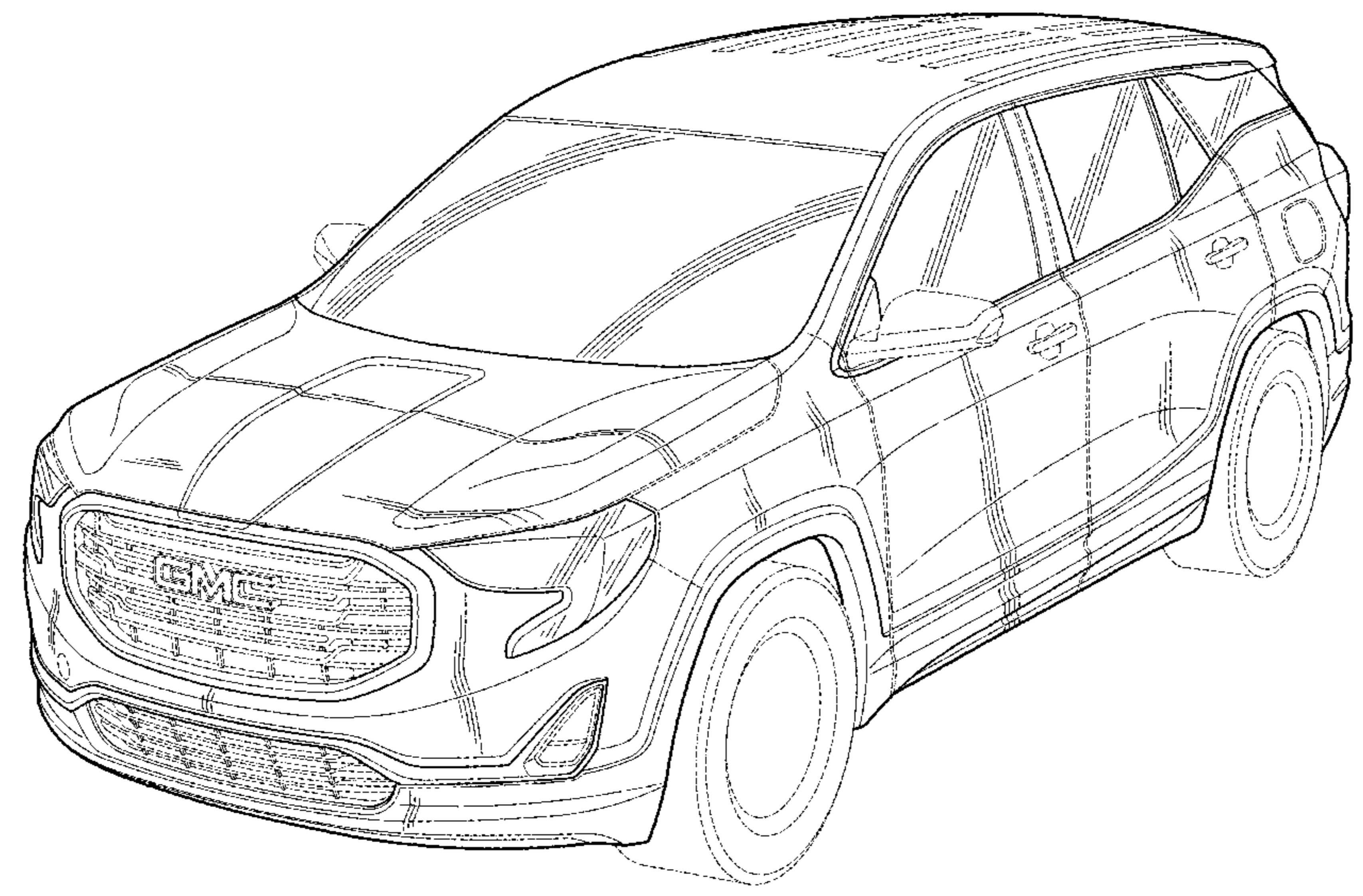
(57) **CLAIM**  
The ornamental design for a vehicle body exterior, as shown and described.

**DESCRIPTION**

FIG. 1 is a front elevation view of a vehicle body exterior showing our new design;  
FIG. 2 is a front perspective view thereof;  
FIG. 3 is a left side elevation view thereof;  
FIG. 4 is a right side elevation view thereof;  
FIG. 5 is a top plan view thereof;  
FIG. 6 is a rear perspective view thereof; and,  
FIG. 7 is a rear elevation view thereof.  
The broken lines shown in the drawings depict portions of the vehicle body exterior that form no part of the claimed design.

**1 Claim, 6 Drawing Sheets**

(56) **References Cited**  
U.S. PATENT DOCUMENTS  
D505,359 S \* 5/2005 Suzuki ..... D12/91  
D538,711 S \* 3/2007 Sawai ..... D12/91  
D570,742 S 6/2008 Takagi et al.  
D592,105 S 5/2009 Dean et al.  
D597,447 S 8/2009 Folden  
D600,595 S 9/2009 Nakamura et al.  
D601,925 S 10/2009 O'Donnell  
D603,755 S 11/2009 Peters  
D604,203 S 11/2009 O'Donnell  
D605,082 S 12/2009 Munson  
D605,083 S 12/2009 Manoogian, II et al.



(56)

References Cited

U.S. PATENT DOCUMENTS

D657,718 S	4/2012	Zipfel et al.		D743,313 S	11/2015	Smith et al.	
D659,052 S	5/2012	Ware et al.		D743,314 S	11/2015	Thole et al.	
D659,053 S	5/2012	Ware et al.		D743,857 S	11/2015	McMahan et al.	
D668,182 S	10/2012	Franco et al.		D744,158 S	11/2015	Willett et al.	
D668,183 S	10/2012	Smart		D745,086 S	12/2015	Finos et al.	
D678,820 S	3/2013	Son et al.		D745,719 S	12/2015	Boniface et al.	
D678,821 S	3/2013	Ikeda et al.		D745,725 S	12/2015	McMahan et al.	
D680,906 S	* 4/2013	Sugimoto .....	D12/91	D745,726 S	12/2015	McMahan et al.	
D680,909 S	4/2013	Munson et al.		D745,837 S	12/2015	Smith et al.	
D680,910 S	4/2013	David		D746,726 S	1/2016	Smith et al.	
D684,899 S	6/2013	Baker		D746,727 S	1/2016	Smith et al.	
D685,677 S	* 7/2013	Jeon .....	D12/91	D746,728 S	1/2016	Smith et al.	
D686,536 S	7/2013	McCabe et al.		D746,729 S	1/2016	Boniface et al.	
D692,798 S	11/2013	Thurber		D746,730 S	1/2016	Kim et al.	
D692,799 S	11/2013	Smith et al.		D747,514 S	1/2016	McMahan et al.	
D696,157 S	12/2013	Loeb		D747,515 S	1/2016	McMahan et al.	
D699,629 S	2/2014	Ikeda et al.		D747,819 S	1/2016	Thole et al.	
D700,105 S	* 2/2014	Kochi .....	D12/91	D749,021 S	2/2016	Boniface et al.	
D700,871 S	3/2014	O'Donnell et al.		D749,026 S	2/2016	Smith et al.	
D703,103 S	4/2014	Lee		D749,027 S	2/2016	McMahan et al.	
D704,103 S	5/2014	Mack et al.		D749,246 S	2/2016	Thole et al.	
D705,132 S	5/2014	Ware et al.		D749,249 S	2/2016	Thole et al.	
D705,699 S	5/2014	Ware et al.		D749,250 S	2/2016	Thole et al.	
D713,298 S	9/2014	Dyson		D749,985 S	2/2016	Kozub et al.	
D713,764 S	9/2014	Ferlazzo et al.		D749,997 S	2/2016	McMahan et al.	
D716,696 S	11/2014	Thole et al.		D750,001 S	2/2016	Thole et al.	
D716,706 S	11/2014	Thole et al.		D753,032 S	4/2016	Smith et al.	
D716,709 S	11/2014	Thole et al.		D753,033 S	4/2016	Thole et al.	
D717,696 S	11/2014	Thole et al.		D753,034 S	4/2016	Thole et al.	
D718,189 S	11/2014	Krieg et al.		D753,035 S	4/2016	Boniface et al.	
D718,683 S	12/2014	Thole et al.		D753,559 S	4/2016	McMahan et al.	
D722,282 S	2/2015	Loeb		D753,560 S	4/2016	McMahan et al.	
D722,533 S	2/2015	Thole et al.		D753,567 S	4/2016	Boniface et al.	
D722,534 S	2/2015	Munson et al.		D754,571 S	4/2016	Boniface et al.	
D724,510 S	3/2015	McMahan et al.		D754,572 S	4/2016	McMahan et al.	
D725,001 S	3/2015	McMahan et al.		D755,088 S	5/2016	McMahan et al.	
D726,591 S	4/2015	Jacob		D756,869 S	5/2016	McMahan et al.	
D730,776 S	6/2015	Smart		D758,271 S	6/2016	McMahan et al.	
D730,783 S	6/2015	Henriques et al.		D764,976 S	* 8/2016	Aengenheyster .....	D12/91
D732,427 S	6/2015	Loeb		D767,449 S	9/2016	Pevovar et al.	
D732,429 S	6/2015	Loeb		D767,450 S	9/2016	Lee et al.	
D732,430 S	6/2015	Loeb		D767,451 S	9/2016	Kozub et al.	
D732,431 S	6/2015	Loeb		D767,454 S	9/2016	McMahan et al.	
D732,432 S	6/2015	Aengenheyster		D767,458 S	9/2016	Kim	
D732,433 S	6/2015	Aengenheyster		D767,459 S	9/2016	Kim	
D732,435 S	6/2015	Mackay		D767,460 S	9/2016	Kozub et al.	
D733,002 S	6/2015	Loeb		D767,461 S	9/2016	Kozub et al.	
D735,611 S	8/2015	Aengenheyster		D770,941 S	* 11/2016	Jeon .....	D12/91
D735,627 S	8/2015	Smith		D771,528 S	11/2016	Smith et al.	
D736,451 S	8/2015	Smith		D771,529 S	11/2016	Thole et al.	
D739,306 S	9/2015	McMahan et al.		D771,532 S	11/2016	Kapitonov	
D739,317 S	9/2015	McMahan et al.		D771,533 S	11/2016	Kapitonov	
D741,223 S	10/2015	Kim et al.		D788,644 S	* 6/2017	Mueller .....	D12/91
D743,309 S	11/2015	Thole et al.		D788,645 S	* 6/2017	Mueller .....	D12/91
				D801,859 S	* 11/2017	Hagino .....	D12/91
				D802,480 S	* 11/2017	Jeon .....	D12/91

\* cited by examiner

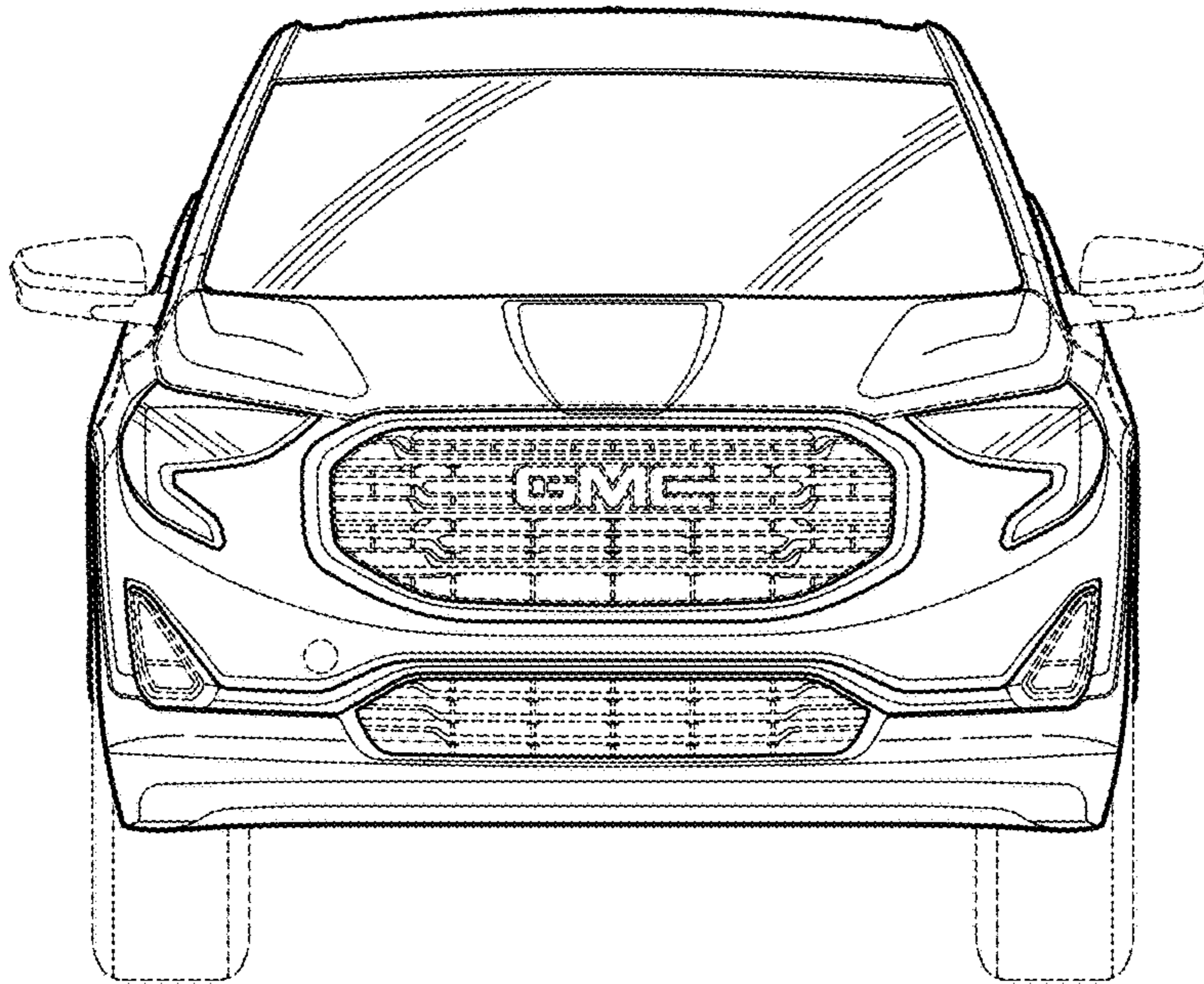


FIG. 1

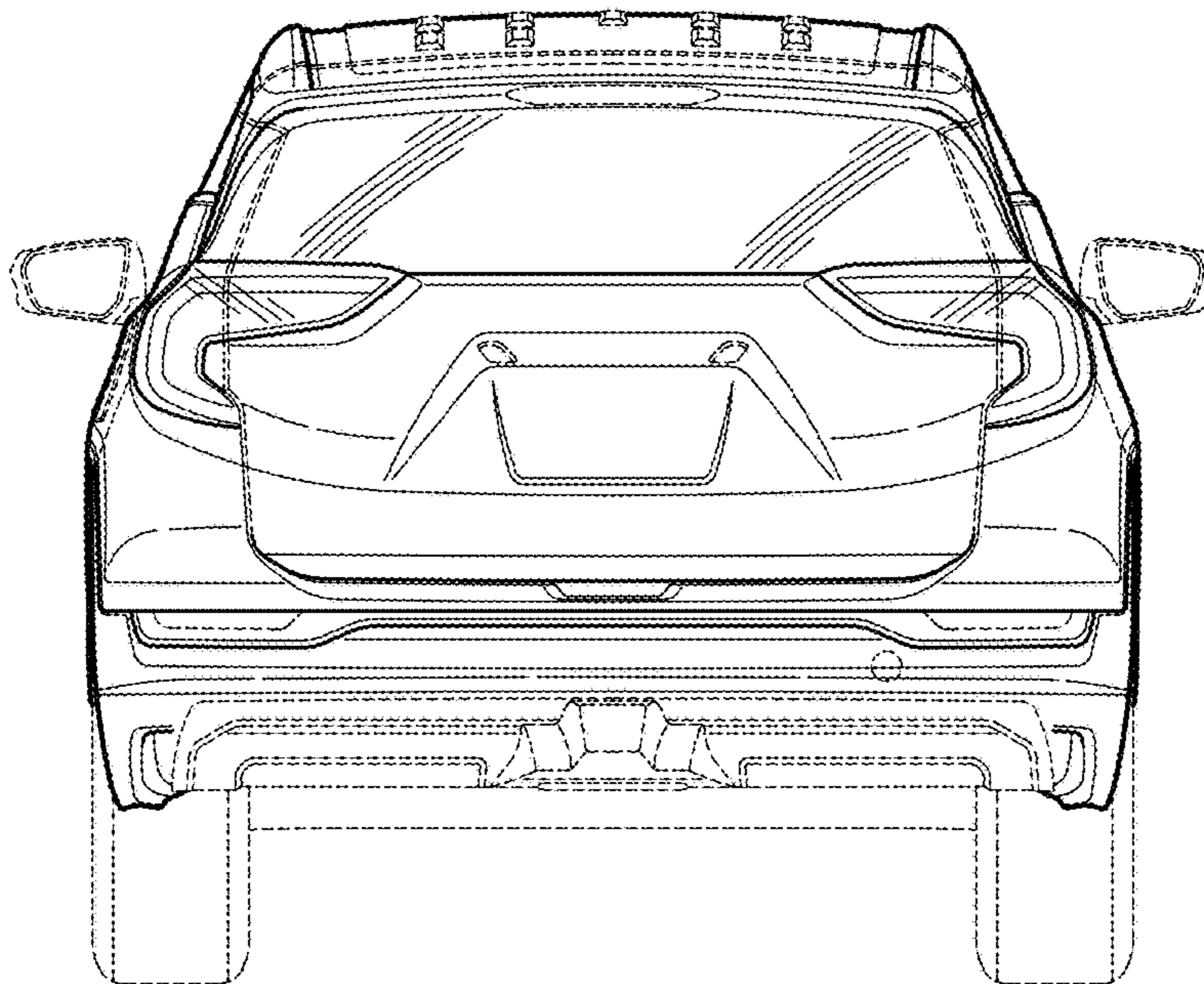


FIG. 7

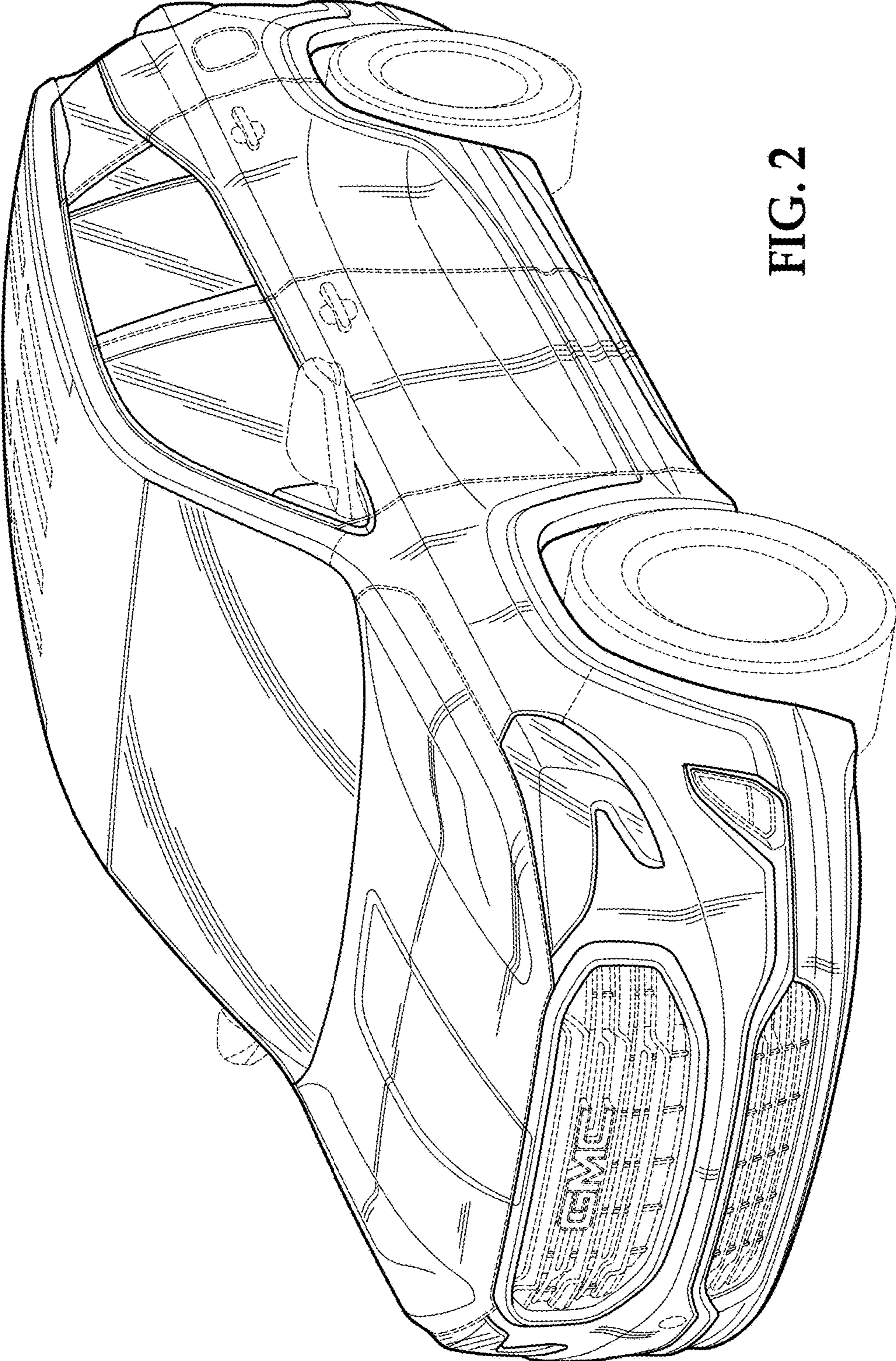


FIG. 2

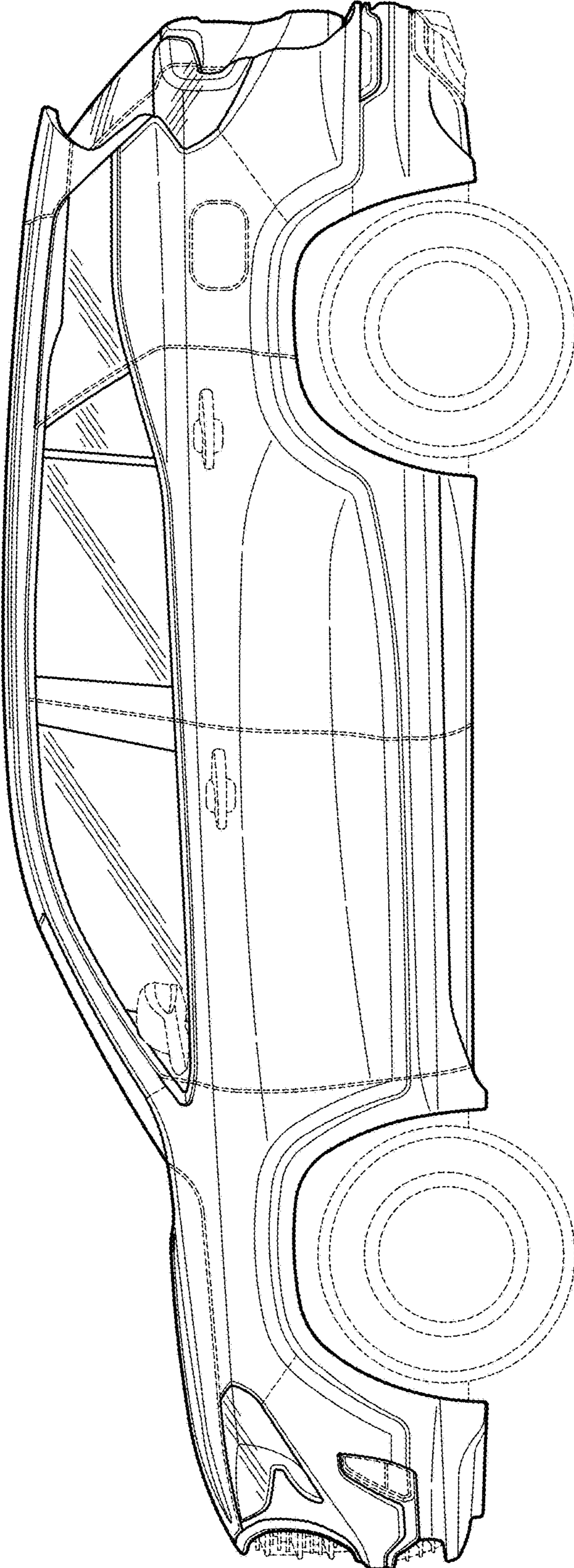


FIG. 3

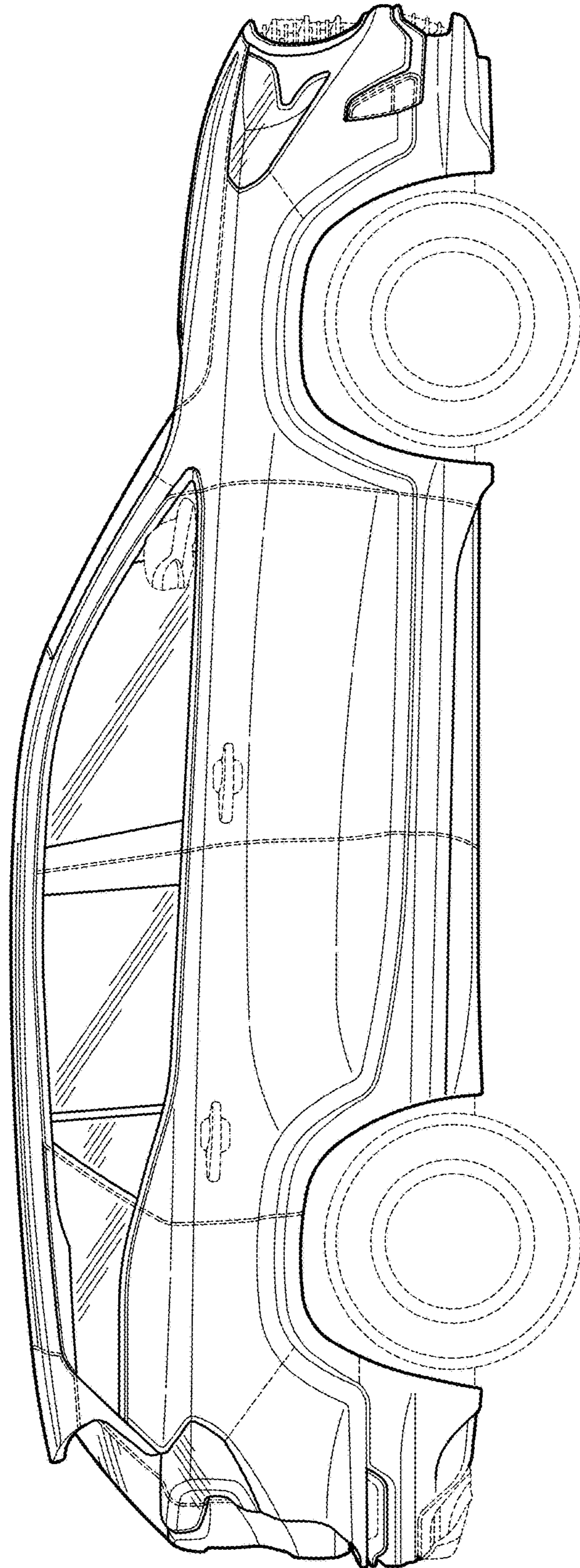


FIG. 4

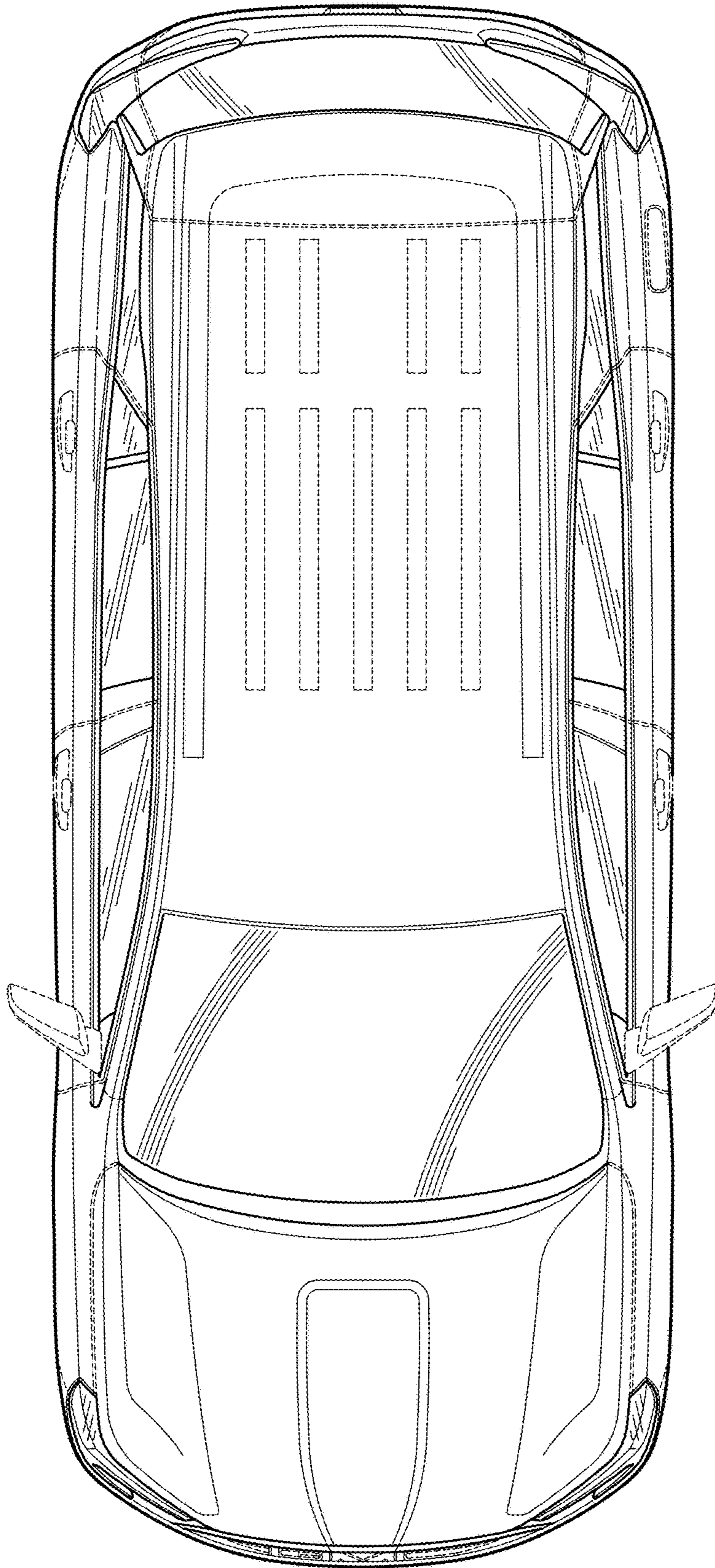


FIG. 5

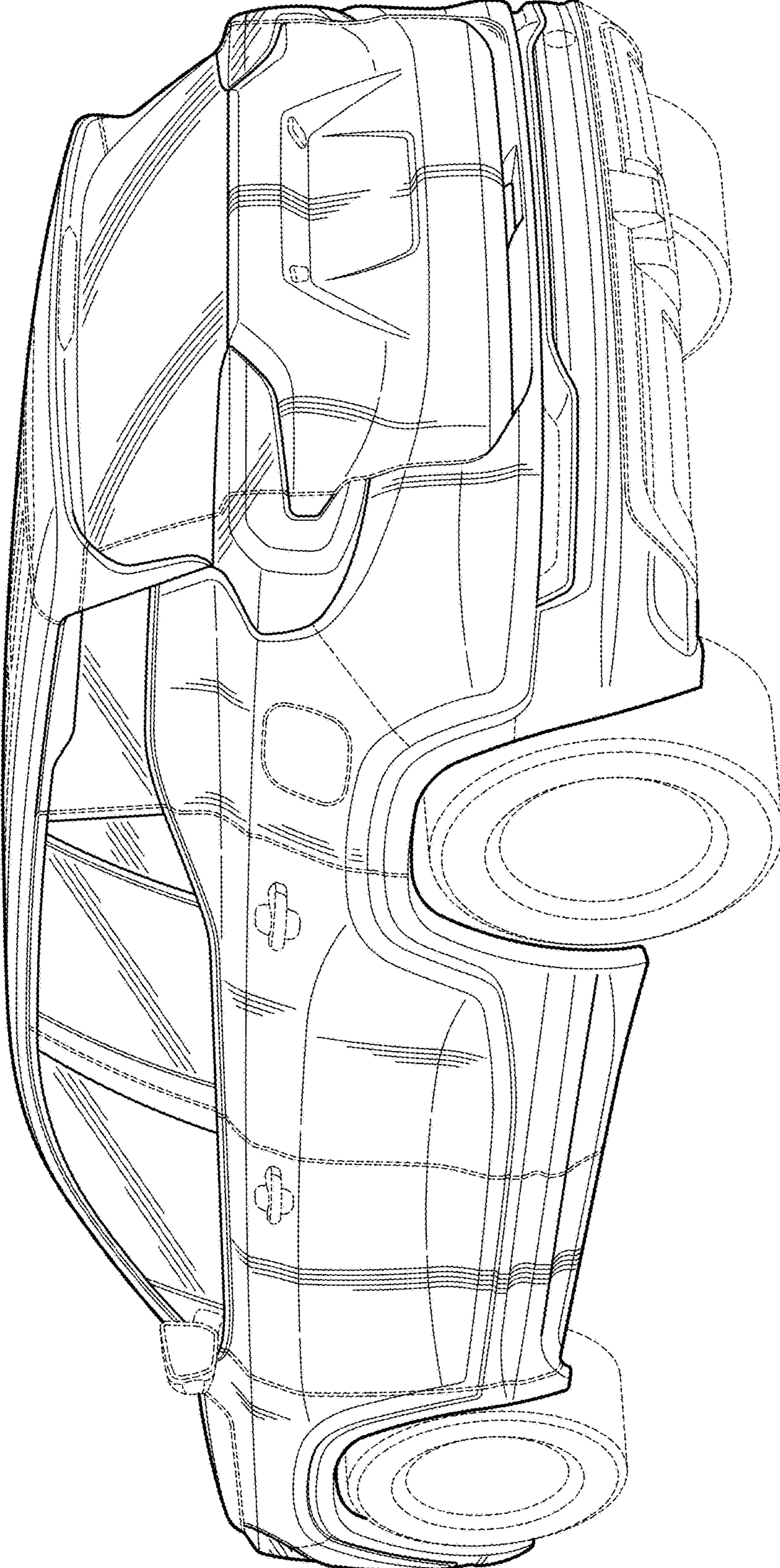


FIG. 6