



US00D818872S

(12) **United States Design Patent** (10) **Patent No.:** **US D818,872 S**  
**Ho** (45) **Date of Patent:** **\*\* May 29, 2018**

(54) **FOLDABLE UNMANNED AERIAL VEHICLE**

(71) Applicant: **XDynamics Limited**, Science Park (HK)

(72) Inventor: **Sai Hung Ho**, Kowloon (HK)

(73) Assignee: **XDynamics Limited**, Hong Kong (HK)

(\*\*) Term: **15 Years**

(21) Appl. No.: **29/607,768**

(22) Filed: **Jun. 16, 2017**

(51) **LOC (11) Cl.** ..... **12-07**

(52) **U.S. Cl.**  
USPC ..... **D12/16.1**

(58) **Field of Classification Search**  
USPC ..... D12/16.1, 319, 325, 326, 327, 328,  
D12/329-345; D21/436, 441, 442, 443,  
D21/444, 445-453  
CPC ..... B64C 39/024; B64C 2201/141; B64C  
2201/00; B64C 2201/108  
See application file for complete search history.

(56) **References Cited**

U.S. PATENT DOCUMENTS

D628,658 S \* 12/2010 Wurm ..... D21/442  
D691,514 S \* 10/2013 Wang ..... D12/16.1  
D710,452 S \* 8/2014 Barajas ..... D12/16.1  
9,061,763 B1 \* 6/2015 Christensen ..... A63H 17/28  
D763,134 S \* 8/2016 Wang ..... D12/16.1  
D768,539 S \* 10/2016 Lee ..... D12/16.1  
D772,991 S \* 11/2016 Caubel ..... D12/16.1  
D782,365 S \* 3/2017 Hung ..... D12/16.1  
D782,366 S \* 3/2017 Xiao ..... D12/16.1  
D784,854 S \* 4/2017 Huang ..... D12/16.1  
D785,541 S \* 5/2017 Du ..... D12/328  
D795,743 S \* 8/2017 Li ..... D12/16.1  
D795,784 S \* 8/2017 Guo ..... D12/328  
D795,967 S \* 8/2017 Haley ..... D12/16.1  
9,738,381 B1 \* 8/2017 Loud ..... B64C 39/024

D796,586 S \* 9/2017 Chen ..... D12/16.1  
D797,602 S \* 9/2017 Li ..... D12/16.1  
9,751,625 B2 \* 9/2017 Phan ..... B64C 39/024  
D798,961 S \* 10/2017 Li ..... D21/441

(Continued)

OTHER PUBLICATIONS

Yuneed Breeze Drone White by Currys PC World. dated Mar. 29, 2017. found online [Jan. 19, 2017] <https://www.currys.co.uk/gbuk/smart-tech/smart-tech/smart-toys-and-gadgets/drones/yuneec-breeze-drone-white-10156731-pdt.html>.\*

*Primary Examiner* — Robert M. Spear

*Assistant Examiner* — Marissa J Cash

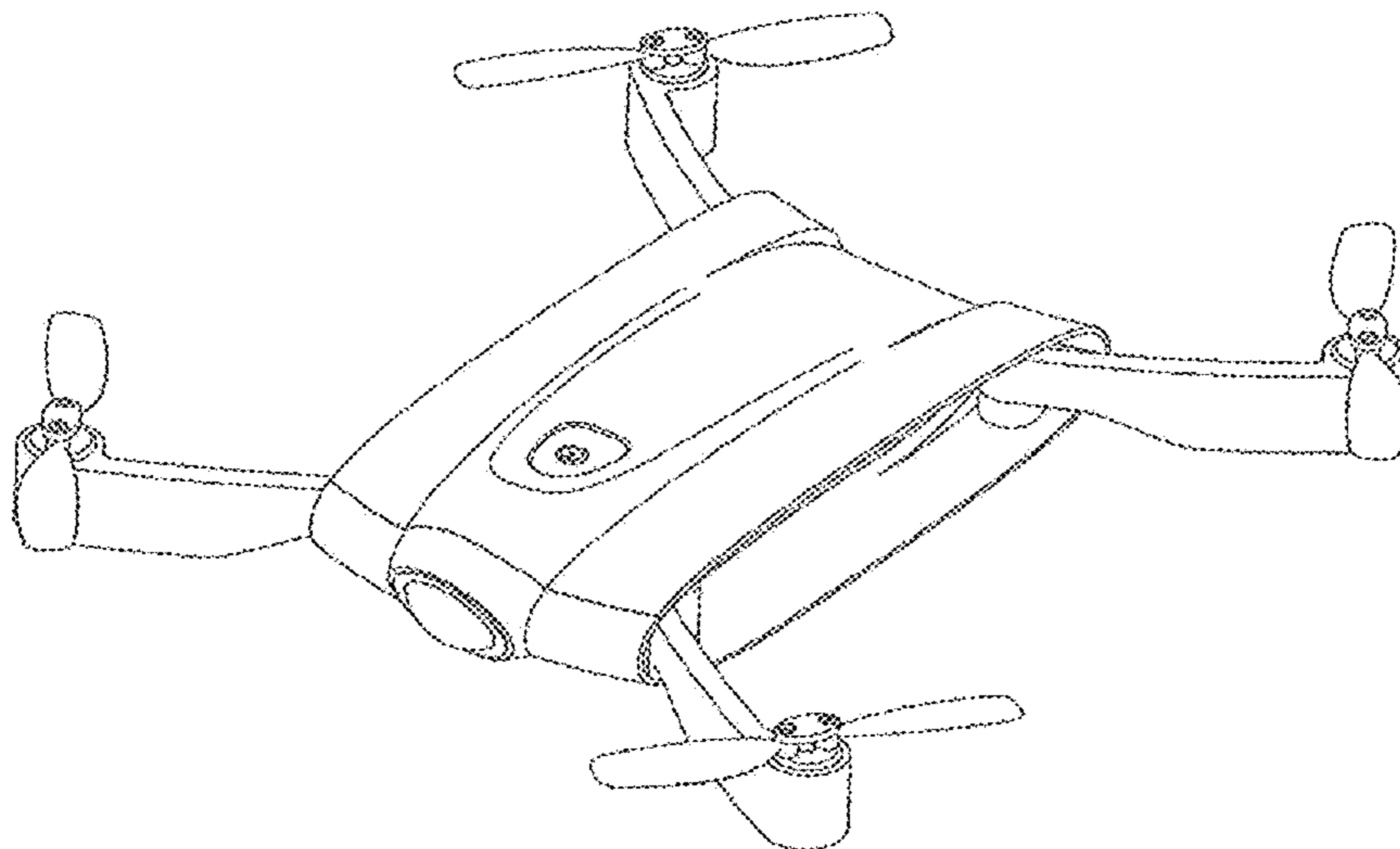
(57) **CLAIM**

The ornamental design for a foldable unmanned aerial vehicle, as shown and described.

**DESCRIPTION**

FIG. 1 is a top, front, left side perspective view of the foldable unmanned aerial vehicle in an open position showing my design;  
FIG. 2 is a bottom, front, left side perspective view thereof;  
FIG. 3 is a top view thereof;  
FIG. 4 is a front elevation view thereof;  
FIG. 5 is a left side elevation view thereof;  
FIG. 6 is a right side elevation view thereof;  
FIG. 7 is a rear elevation view thereof;  
FIG. 8 is a bottom view thereof.  
FIG. 9 is a top, front, left side perspective view of the foldable unmanned aerial vehicle in a closed position showing my design;  
FIG. 10 is a top, rear, right side perspective view thereof;  
FIG. 11 is a top view thereof;  
FIG. 12 is a front elevation view thereof;  
FIG. 13 is a left side elevation view thereof;  
FIG. 14 is a right side elevation view thereof;  
FIG. 15 is a bottom view thereof; and,  
FIG. 16 is a rear elevation view thereof.

**1 Claim, 16 Drawing Sheets**



(56)

**References Cited**

## U.S. PATENT DOCUMENTS

D801,224 S \* 10/2017 Li ..... D12/16.1  
9,783,294 B2 \* 10/2017 Johannesson ..... B64C 39/024  
D803,098 S \* 11/2017 Lee ..... D12/16.1  
D803,328 S \* 11/2017 Lee ..... D21/441  
D806,606 S \* 1/2018 Morrison ..... D12/16.1  
2015/0051755 A1 \* 2/2015 Erhart ..... A63H 27/12  
701/2  
2015/0129711 A1 \* 5/2015 Caubel ..... B64C 27/08  
244/17.23  
2015/0336670 A1 \* 11/2015 Zhang ..... B64C 1/00  
244/119  
2016/0337562 A1 \* 11/2016 Kang ..... H04N 5/2254  
2016/0362173 A1 \* 12/2016 Marion ..... B64C 39/024  
2017/0001721 A1 \* 1/2017 Saika ..... B64C 27/48  
2017/0029106 A1 \* 2/2017 Chang ..... B64C 25/56  
2017/0134963 A1 \* 5/2017 Priest ..... H04W 16/18  
2017/0137127 A1 \* 5/2017 Cheng ..... B64C 39/024  
2017/0158328 A1 \* 6/2017 Foley ..... B64C 27/08  
2017/0166308 A1 \* 6/2017 Desrochers ..... B64D 1/08  
2017/0190260 A1 \* 7/2017 Wang ..... B60L 11/1822  
2017/0197718 A1 \* 7/2017 Buchmueller ..... B64D 1/22  
2017/0215086 A1 \* 7/2017 Priest ..... H04W 16/18  
2017/0221395 A1 \* 8/2017 Benatar ..... G09F 13/0409  
2017/0225792 A1 \* 8/2017 Wang ..... B64D 17/70  
2017/0240277 A1 \* 8/2017 Molnar ..... B64C 39/022  
2017/0247107 A1 \* 8/2017 Hauer ..... B64C 39/024  
2017/0267334 A1 \* 9/2017 Tsai ..... B64C 25/10  
2017/0283050 A1 \* 10/2017 Baek ..... B64C 27/08  
2017/0283090 A1 \* 10/2017 Miller ..... B64F 1/36  
2017/0327223 A1 \* 11/2017 Sekine ..... B64C 39/024  
2017/0334570 A1 \* 11/2017 Xiao ..... H02P 5/74  
2017/0340176 A1 \* 11/2017 Liao ..... A47L 1/02  
2017/0358212 A1 \* 12/2017 Godwin ..... G08G 5/006

\* cited by examiner

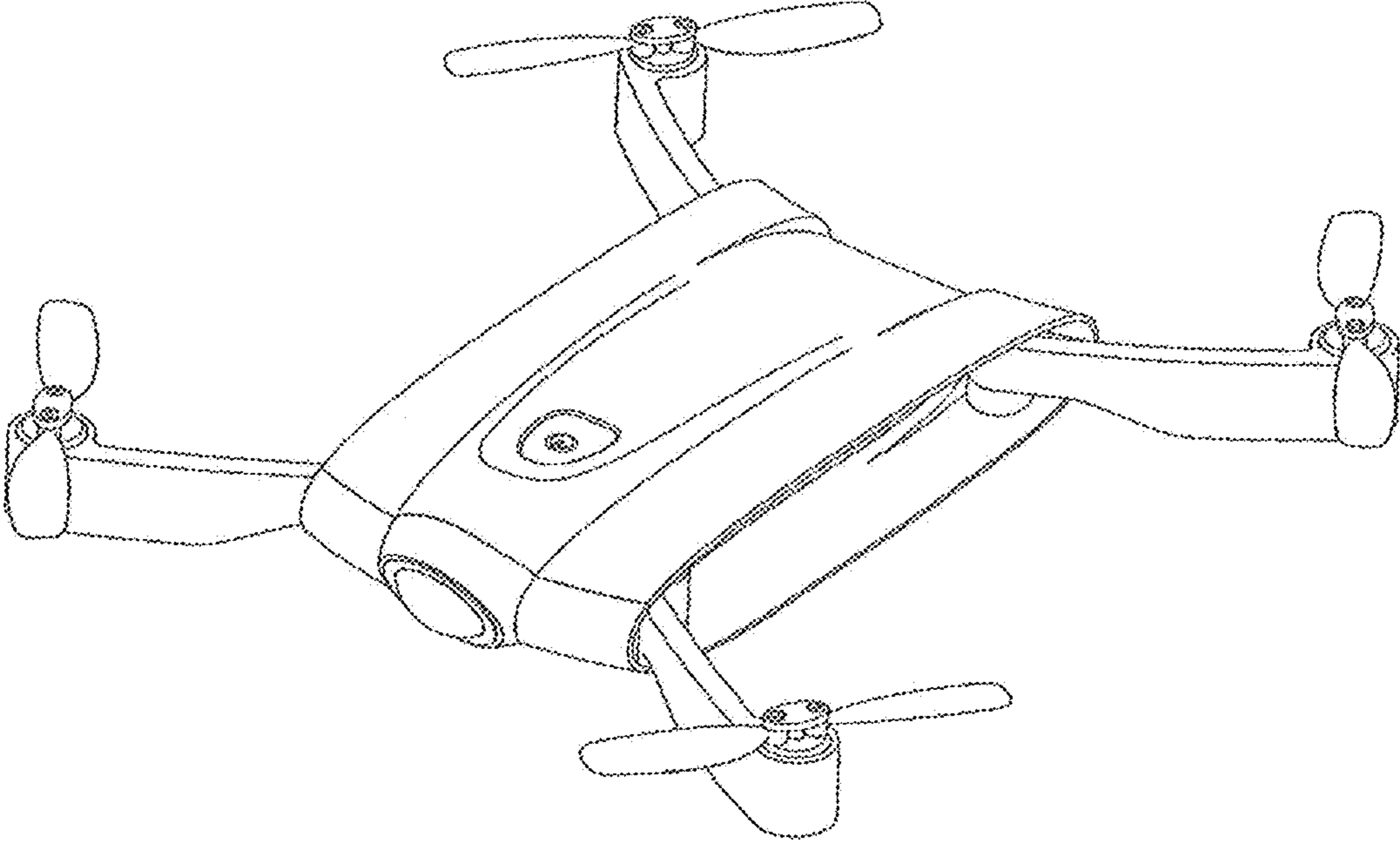


FIG. 1

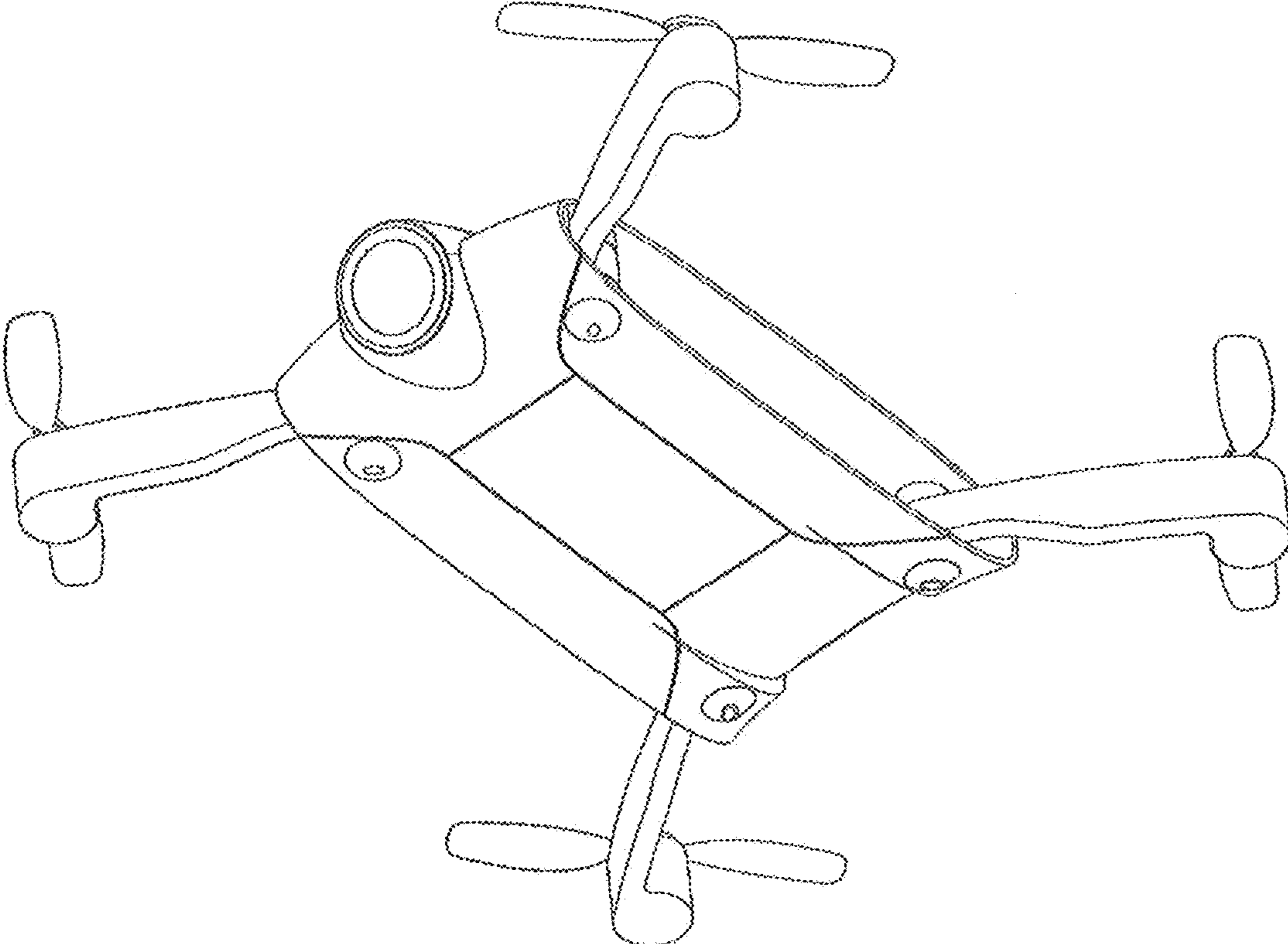


FIG. 2



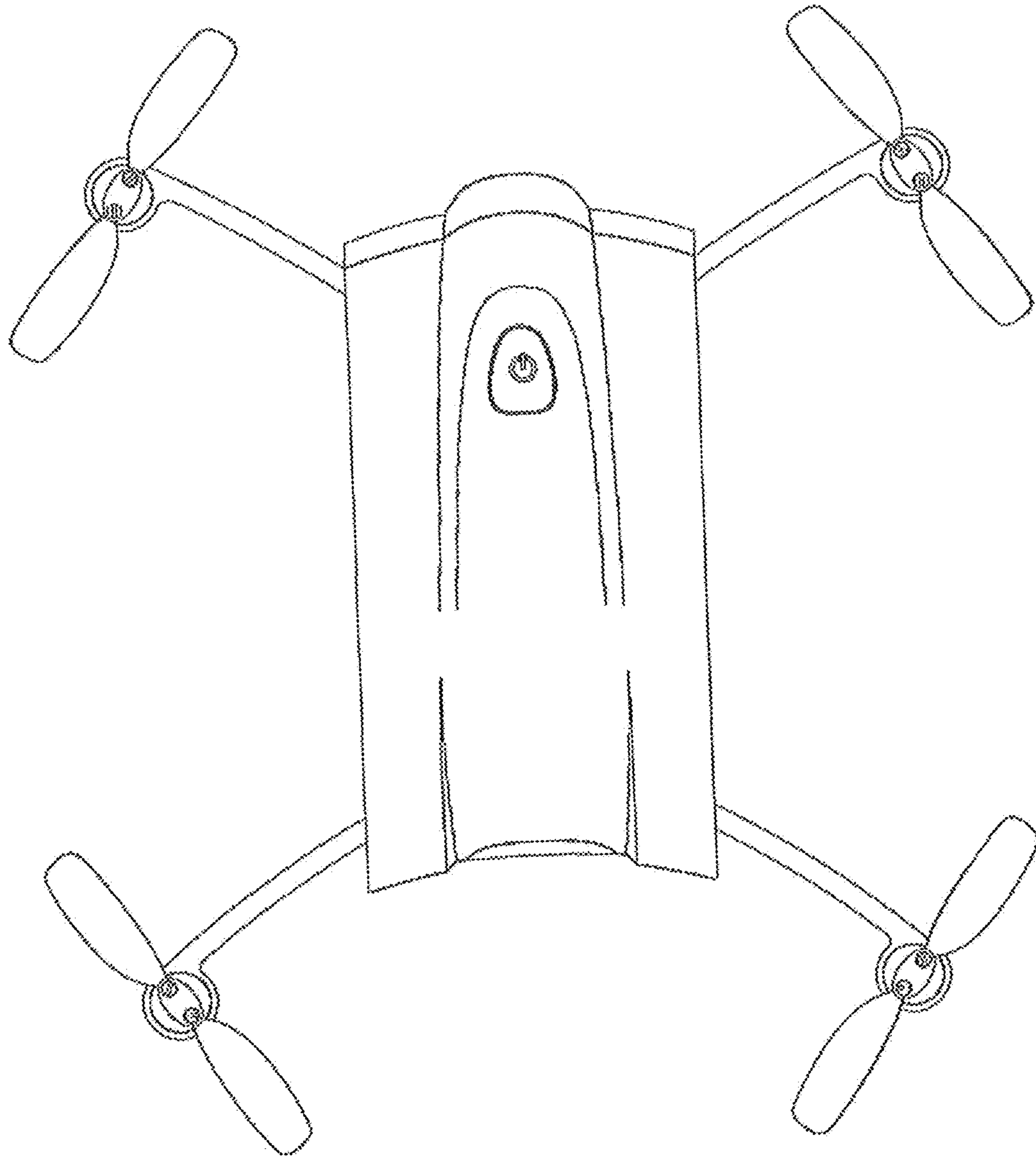


FIG. 3

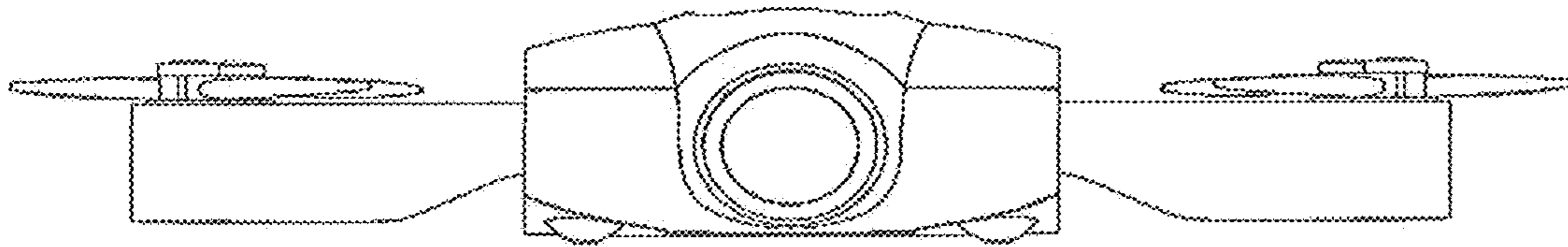


FIG. 4

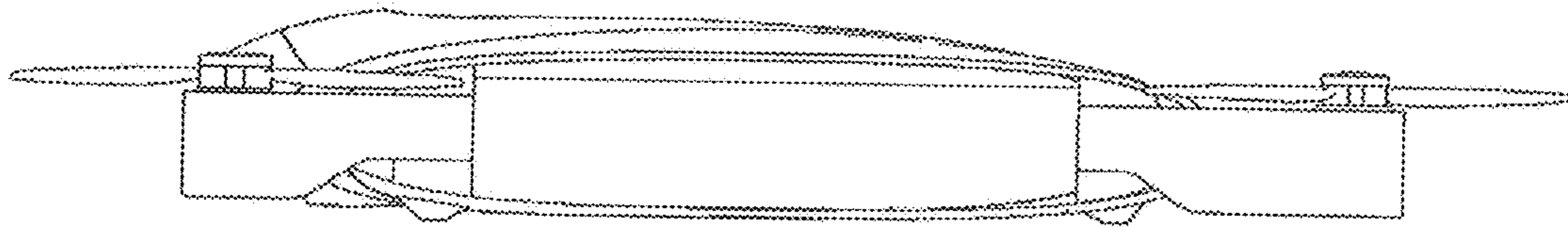


FIG. 5

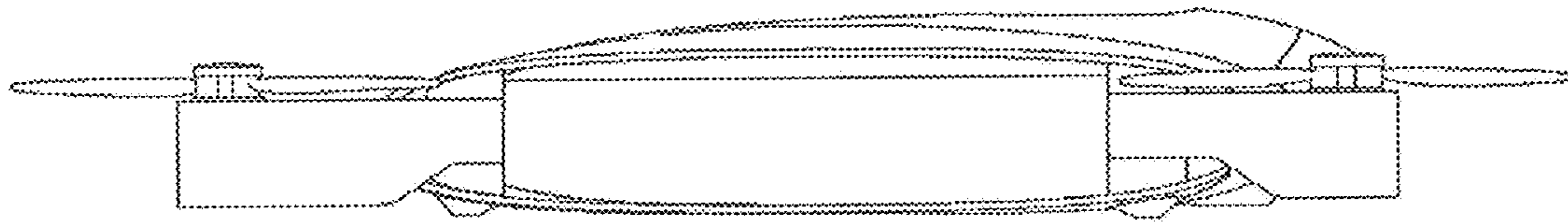


FIG. 6



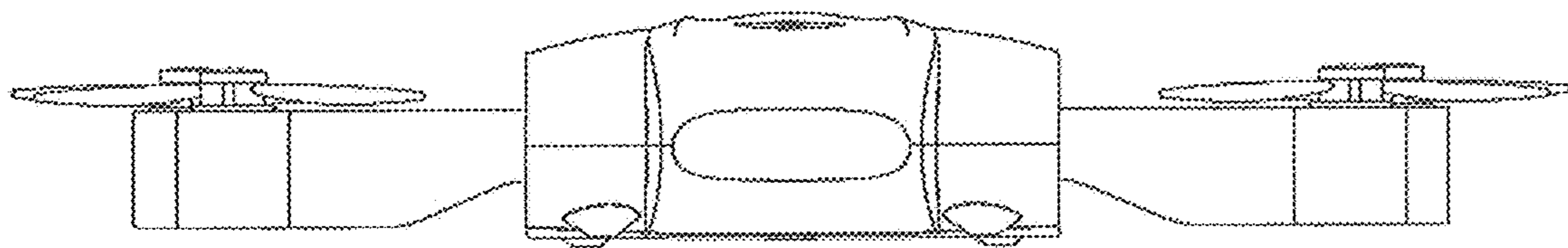


FIG. 7

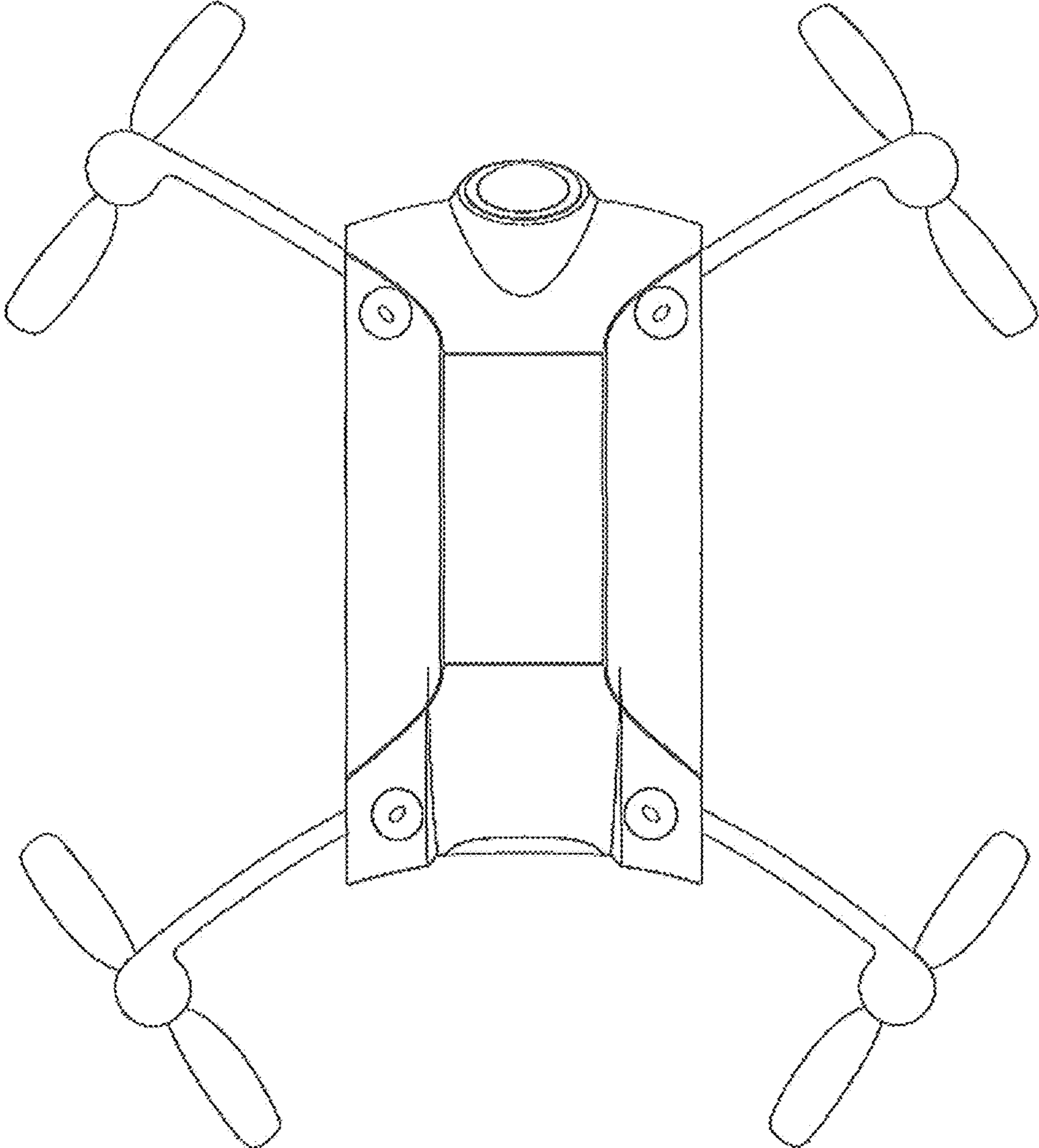


FIG. 8

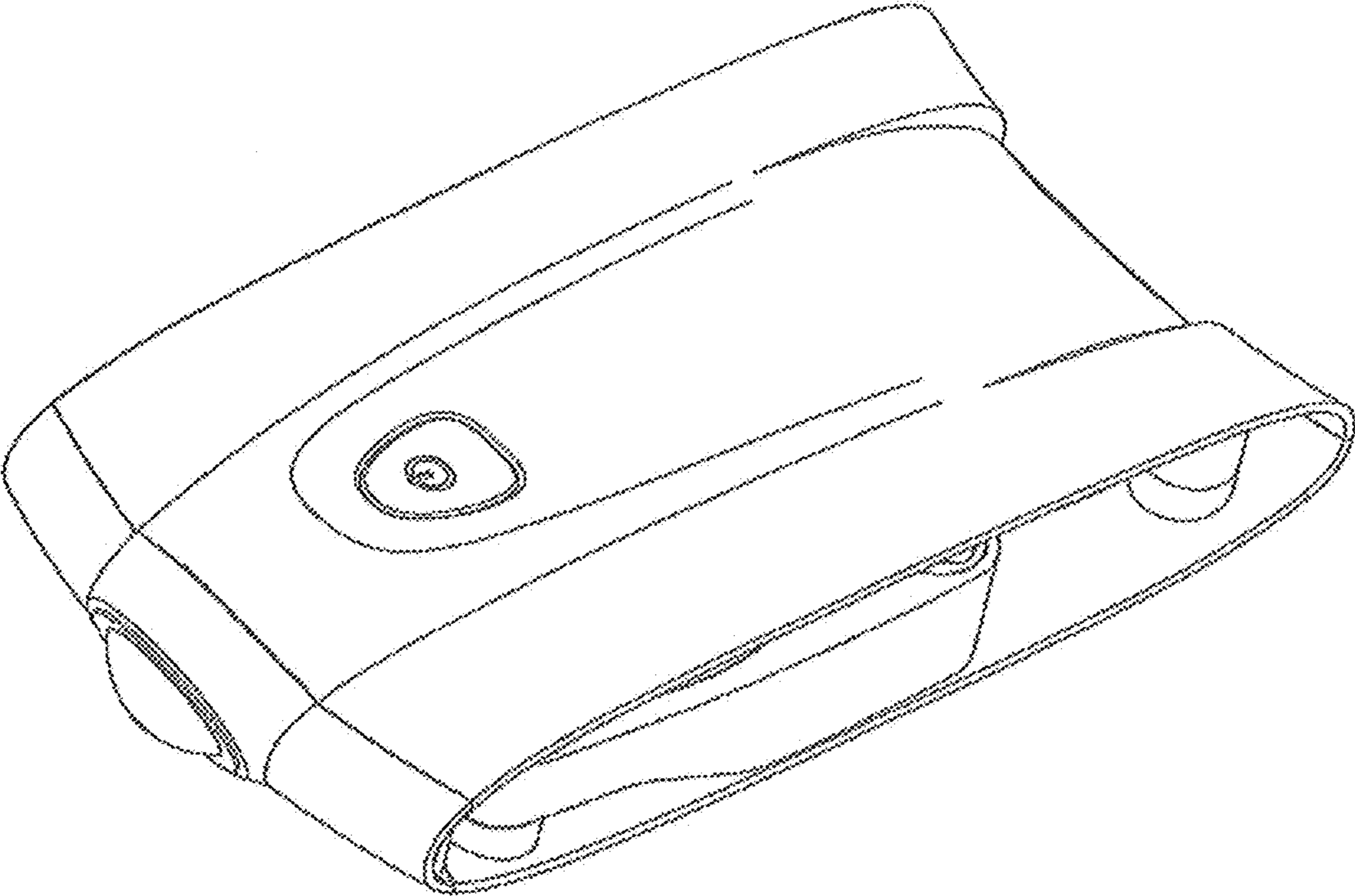


FIG. 9

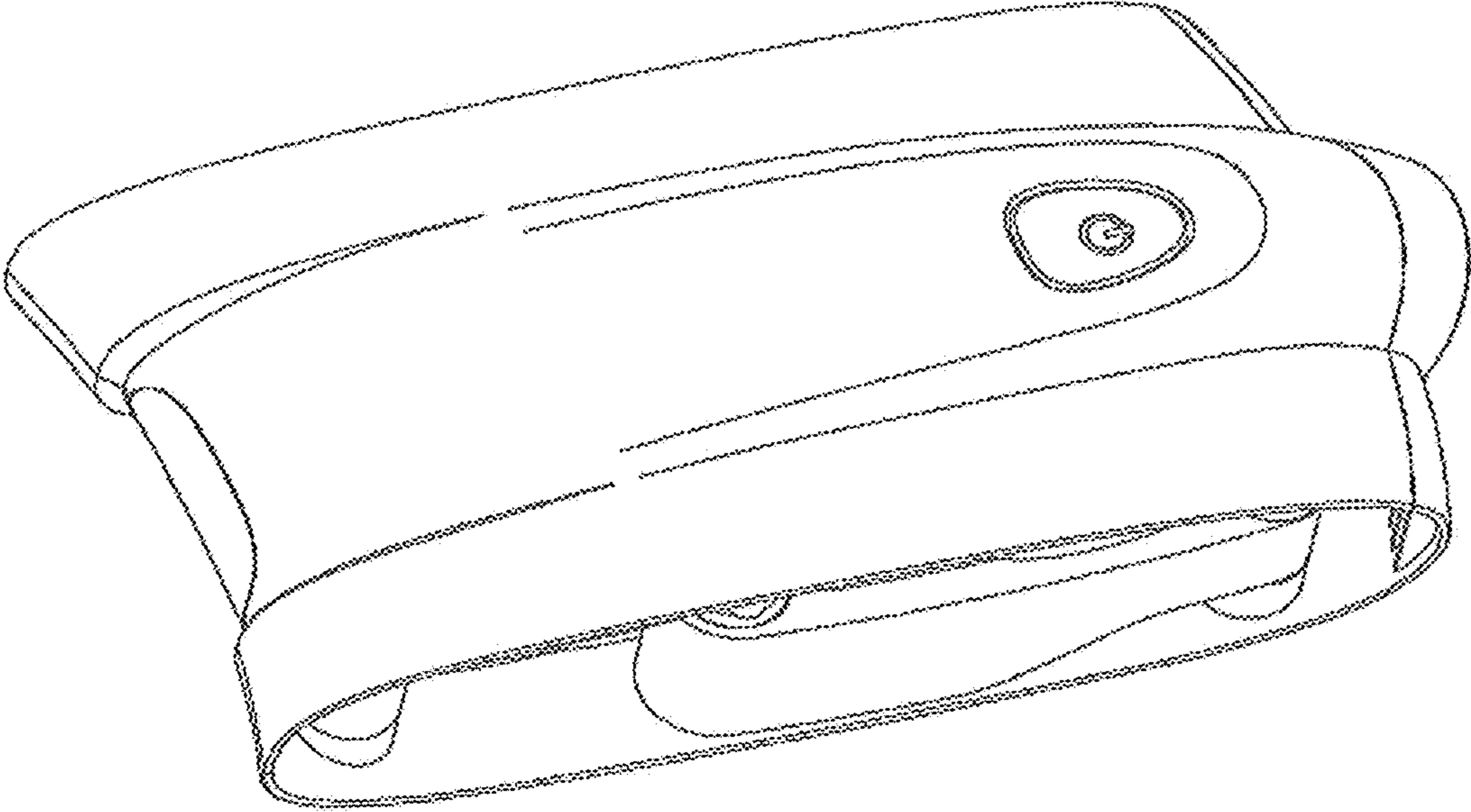


FIG. 10

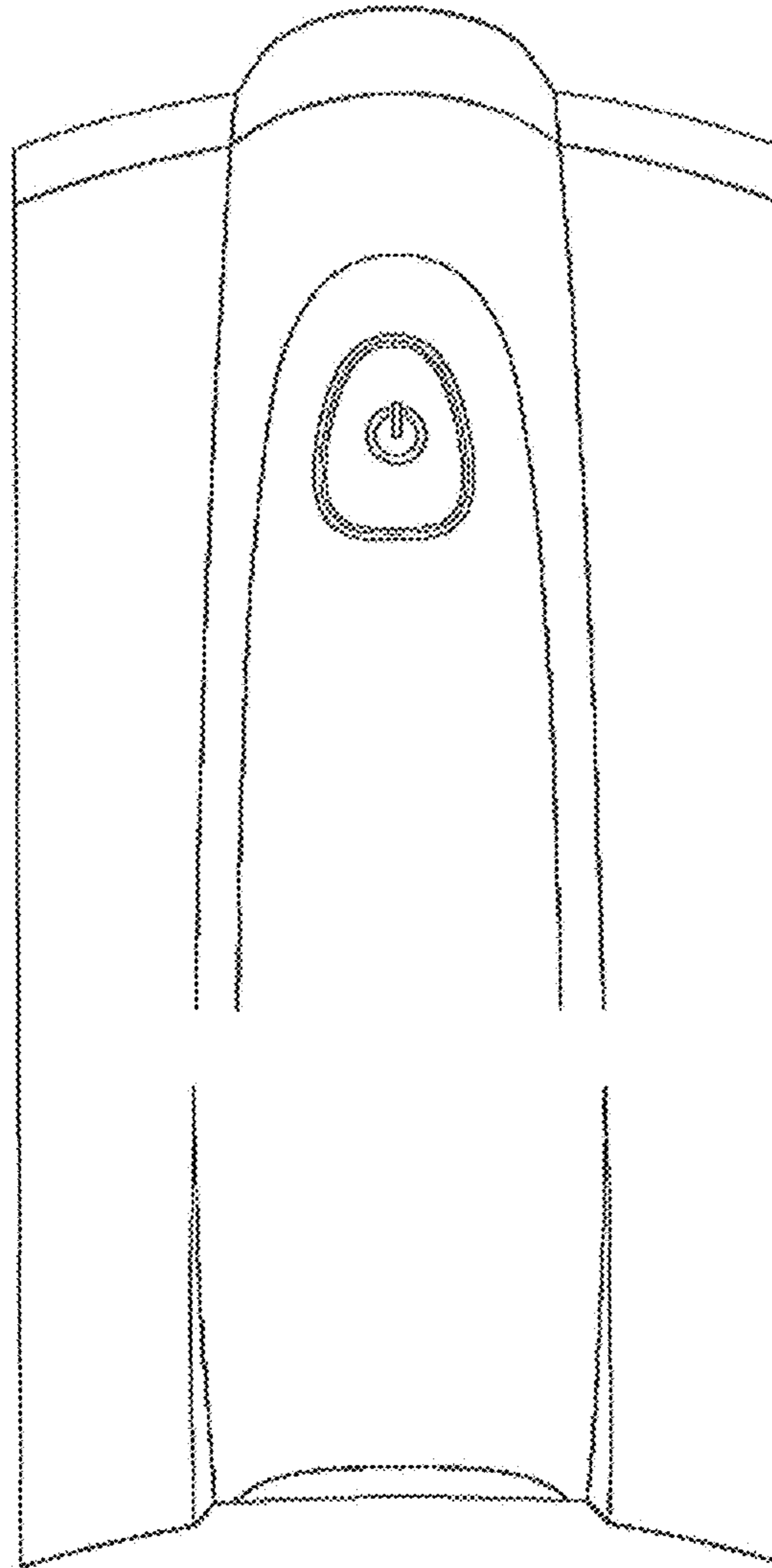


FIG. 11

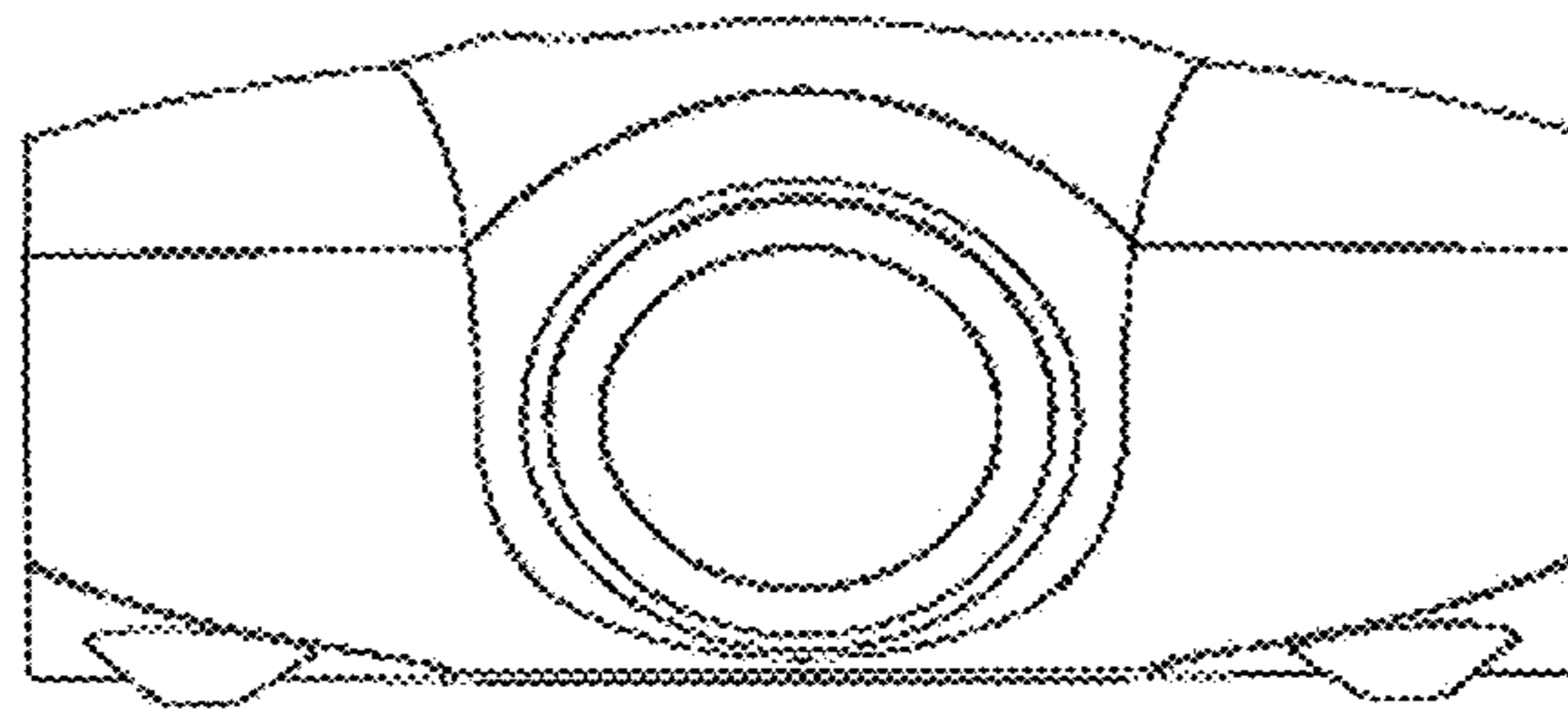


FIG. 12



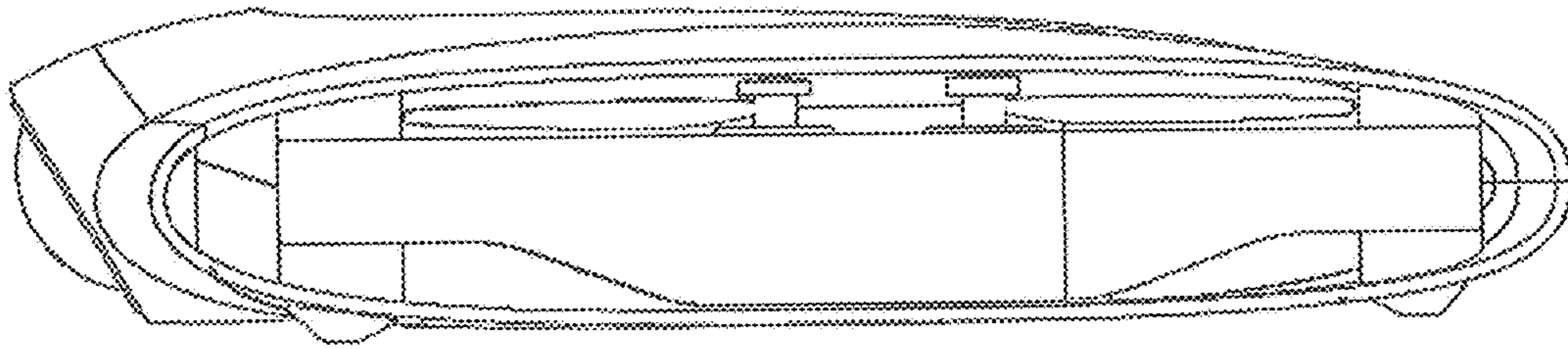


FIG. 13

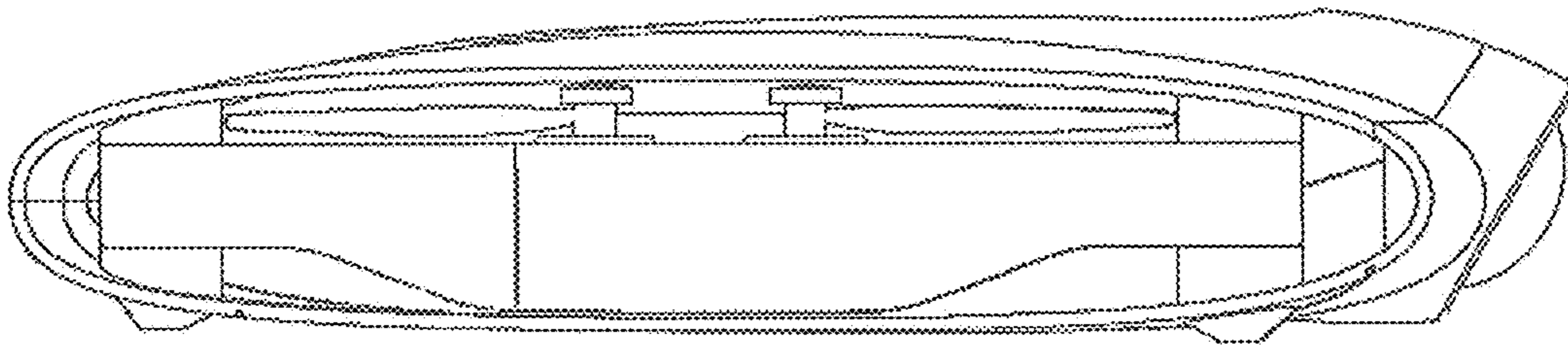


FIG. 14

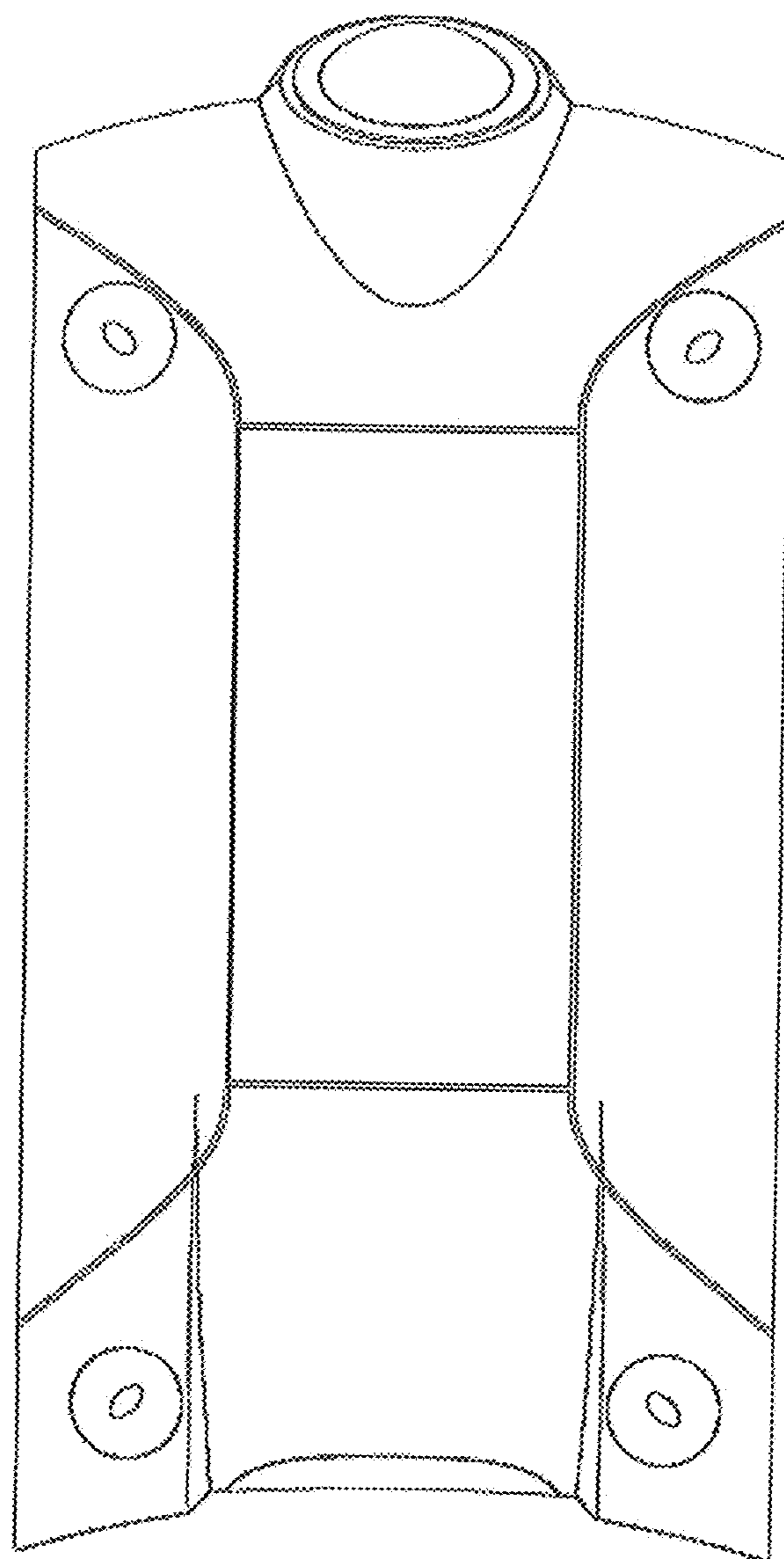


FIG. 15

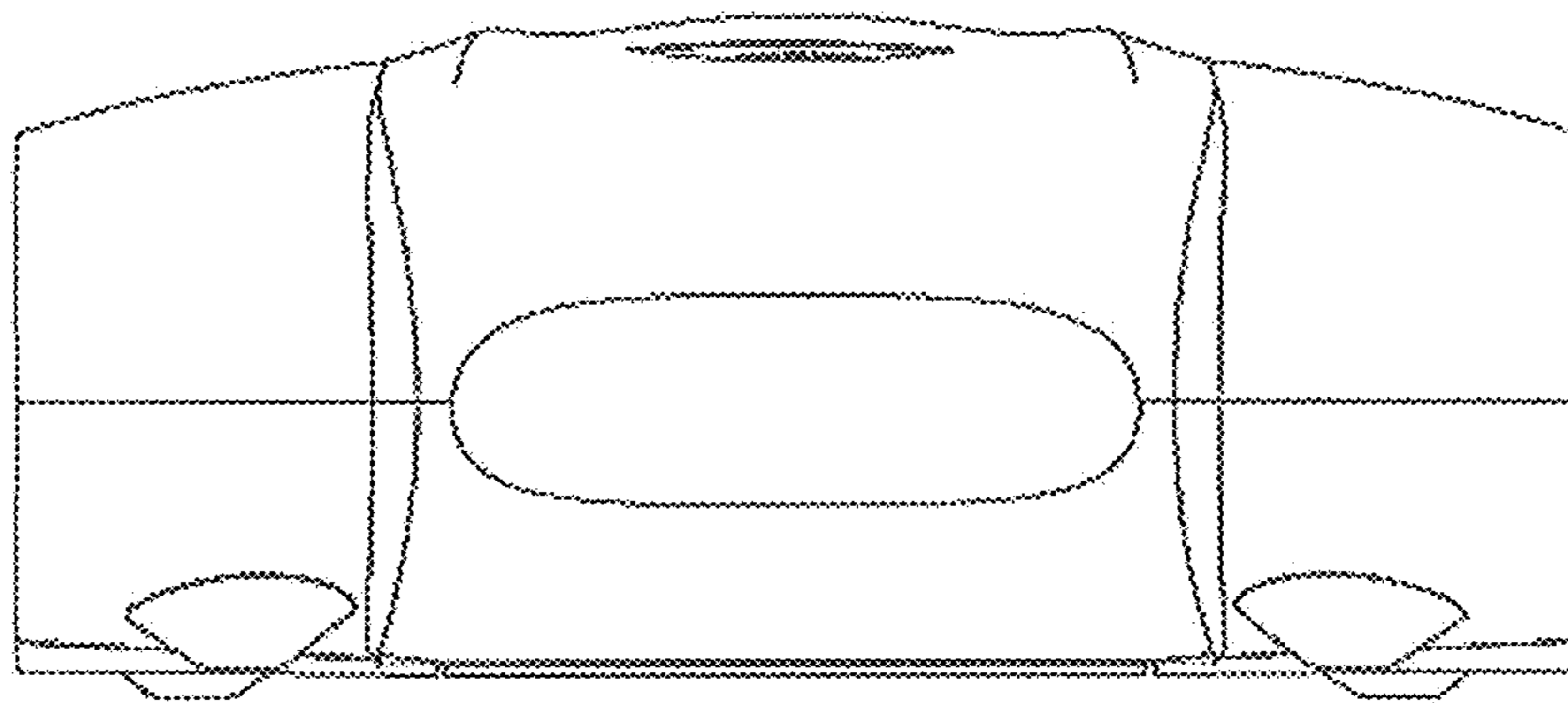


FIG. 16