



US00D818869S

(12) **United States Design Patent**
Murray

(10) **Patent No.:** **US D818,869 S**

(45) **Date of Patent:** **** May 29, 2018**

- (54) **DOG PAW HOLIDAY STOCKING**
- (71) Applicant: **Nora Murray**, Shawnee, KS (US)
- (72) Inventor: **Nora Murray**, Shawnee, KS (US)
- (**) Term: **15 Years**
- (21) Appl. No.: **29/568,322**
- (22) Filed: **Jun. 16, 2016**
- (51) **LOC (11) Cl.** **11-05**
- (52) **U.S. Cl.**
USPC **D11/126**
- (58) **Field of Classification Search**
USPC D11/117, 121, 125, 126, 127, 130, 131,
D11/132, 133, 134, 157, 158; D29/113,
D29/118, 119
CPC A47G 33/00; A47G 33/08; B44C 5/00;
B44C 5/04; B44C 7/00; A41B 11/00;
A41B 11/001
See application file for complete search history.

- D373,745 S * 9/1996 Lithwick D11/126
- D378,869 S * 4/1997 Mikell D2/615
- D394,229 S * 5/1998 Curry D11/126
- D467,393 S * 12/2002 Warden D30/155
- 6,581,211 B1 * 6/2003 Golden A41D 19/01
2/158
- D498,702 S * 11/2004 Hale D11/126
- D520,406 S * 5/2006 Groeschen D11/126
- D636,134 S * 4/2011 Spurgeon D30/161
- D684,336 S * 6/2013 Couttenye D1/107

* cited by examiner

Primary Examiner — Elizabeth J Oswecki

(74) *Attorney, Agent, or Firm* — Erickson Kernell IP, LLC

(57) **CLAIM**

The ornamental design for a dog paw holiday stocking, as shown and described.

DESCRIPTION

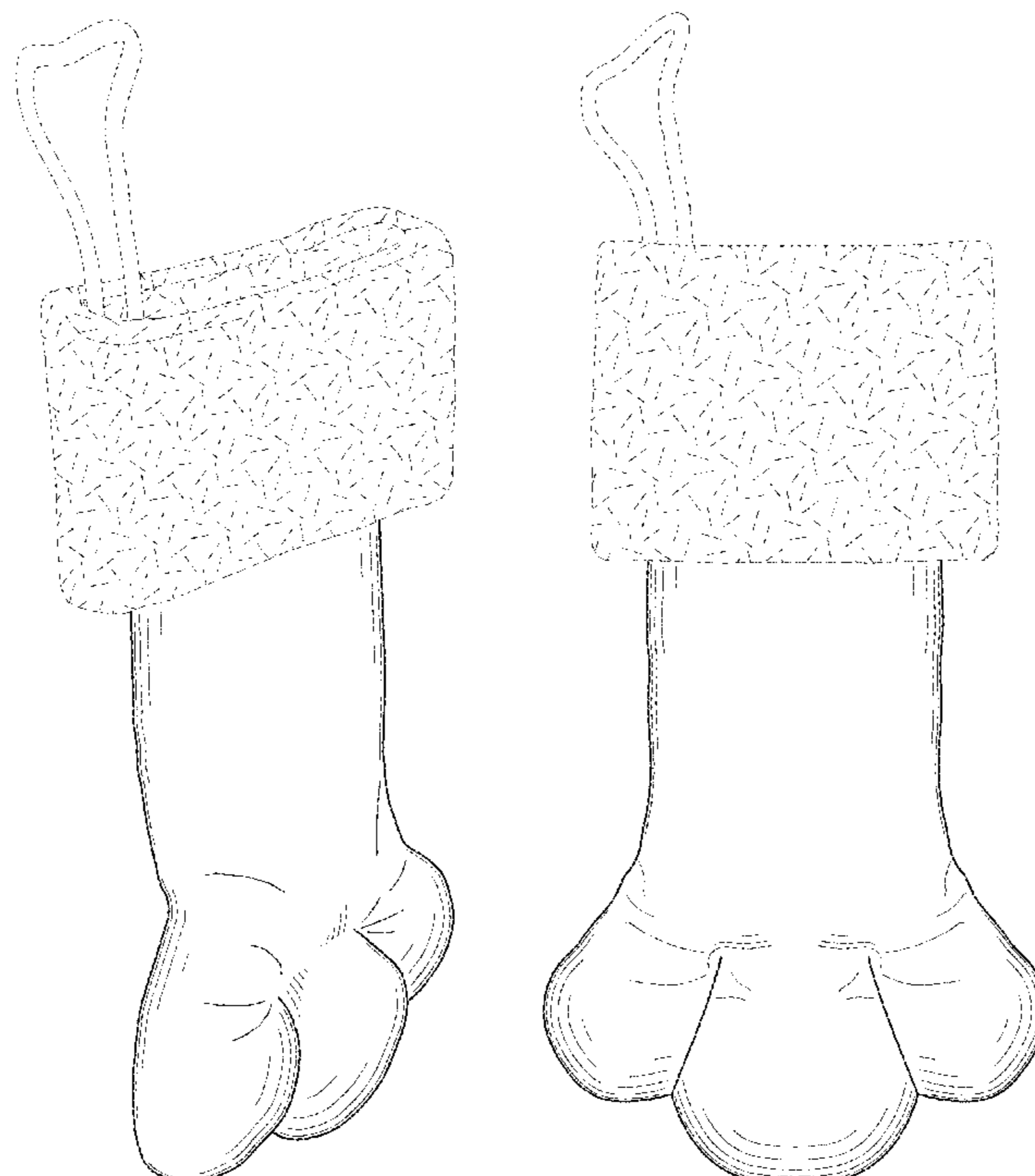
FIG. 1 is a front perspective view of a dog paw holiday stocking showing my new design;
 FIG. 2 is a front elevation view of the stocking of FIG. 1;
 FIG. 3 is a rear elevation view of the stocking of FIG. 1;
 FIG. 4 is a right side elevation view of the stocking of FIG. 1;
 FIG. 5 is a left side elevation view of the stocking of FIG. 1;
 FIG. 6 is a top plan view of the stocking of FIG. 1; and,
 FIG. 7 is a bottom plan view of the stocking of FIG. 1.
 The broken line showing of a cuff and a hanging loop is included for the purpose of illustrating the environment of the design and forms no part of the claimed design.

1 Claim, 5 Drawing Sheets

(56) **References Cited**

U.S. PATENT DOCUMENTS

- 1,844,960 A * 2/1932 Kingman B65D 7/14
220/489
- D189,082 S * 10/1960 Goodman 36/112
- D207,442 S * 4/1967 Facel D2/616
- D270,681 S * 9/1983 Banks D2/615
- D282,981 S * 3/1986 Pierce D2/615
- D299,623 S * 1/1989 Lauster D11/126
- D336,446 S * 6/1993 Browning D11/126
- D338,627 S * 8/1993 Bednar D11/126
- D371,985 S * 7/1996 Dee D11/126



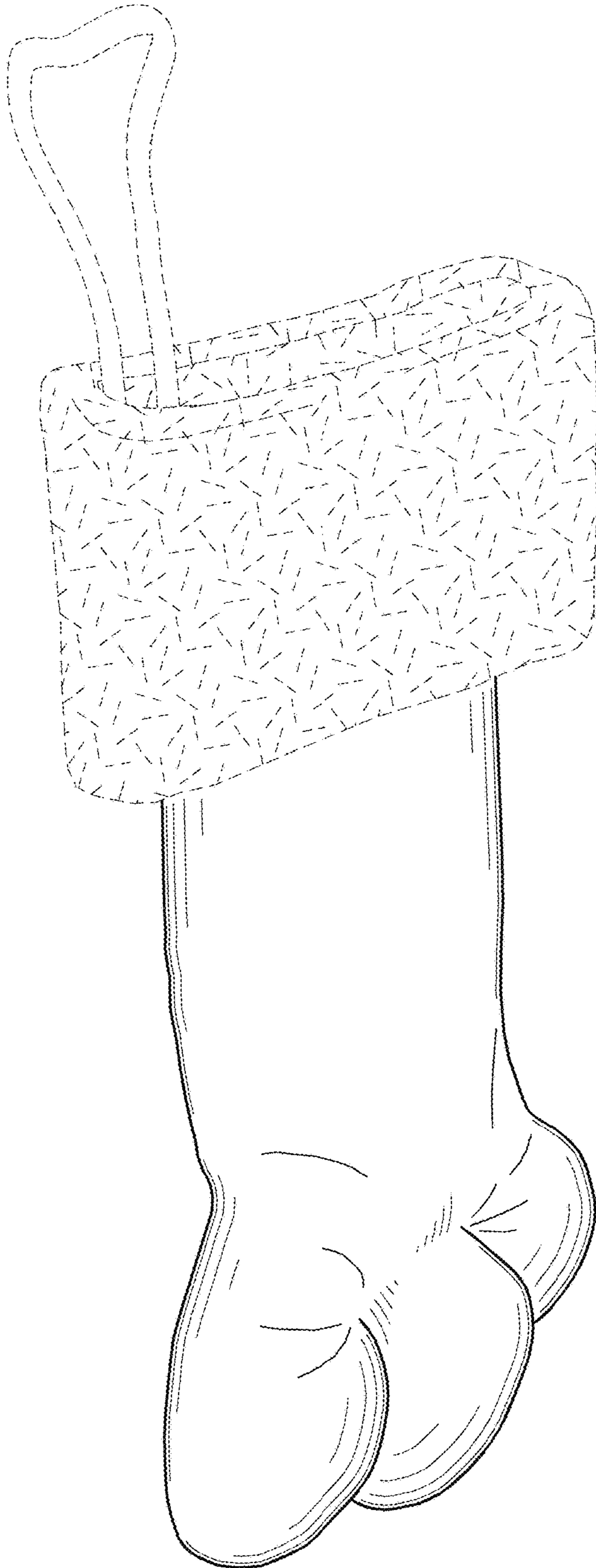


Fig. 1

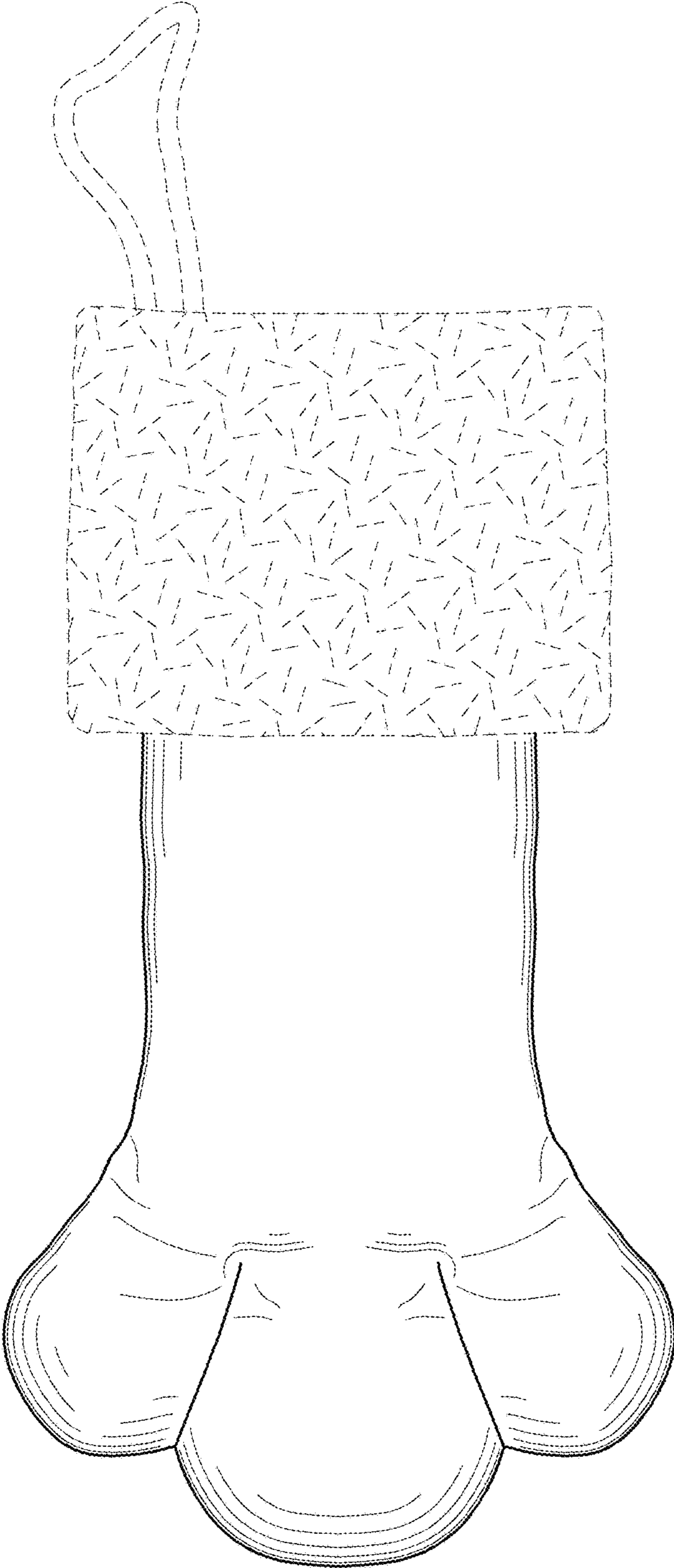


Fig. 2

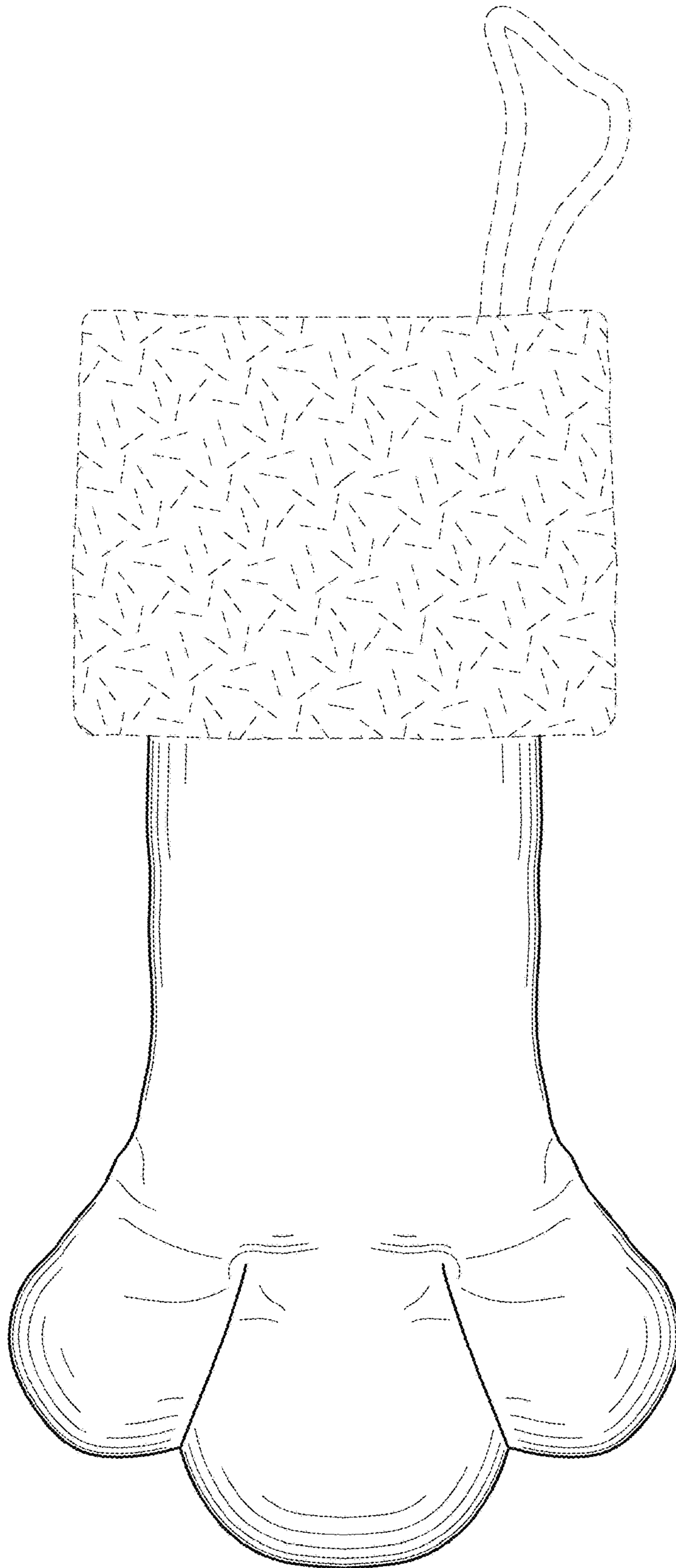


Fig. 3

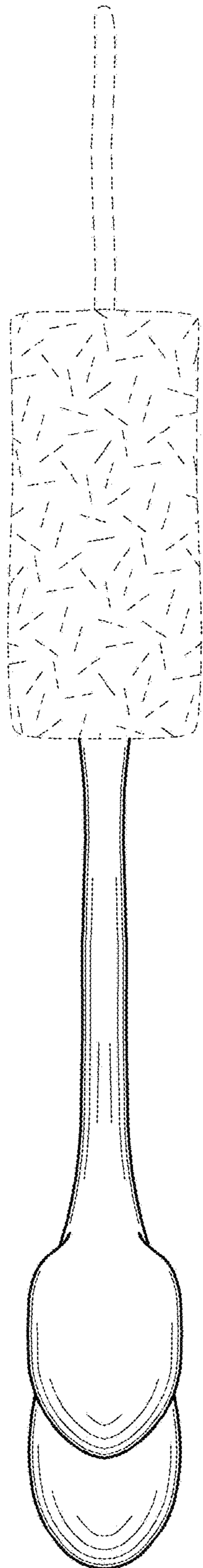


Fig. 4

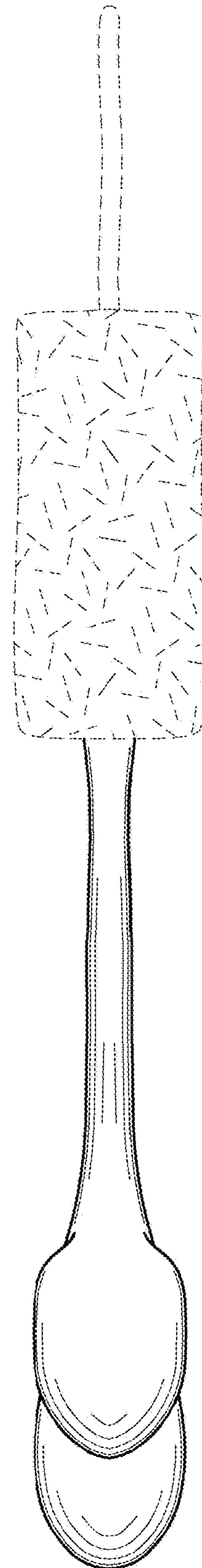


Fig. 5

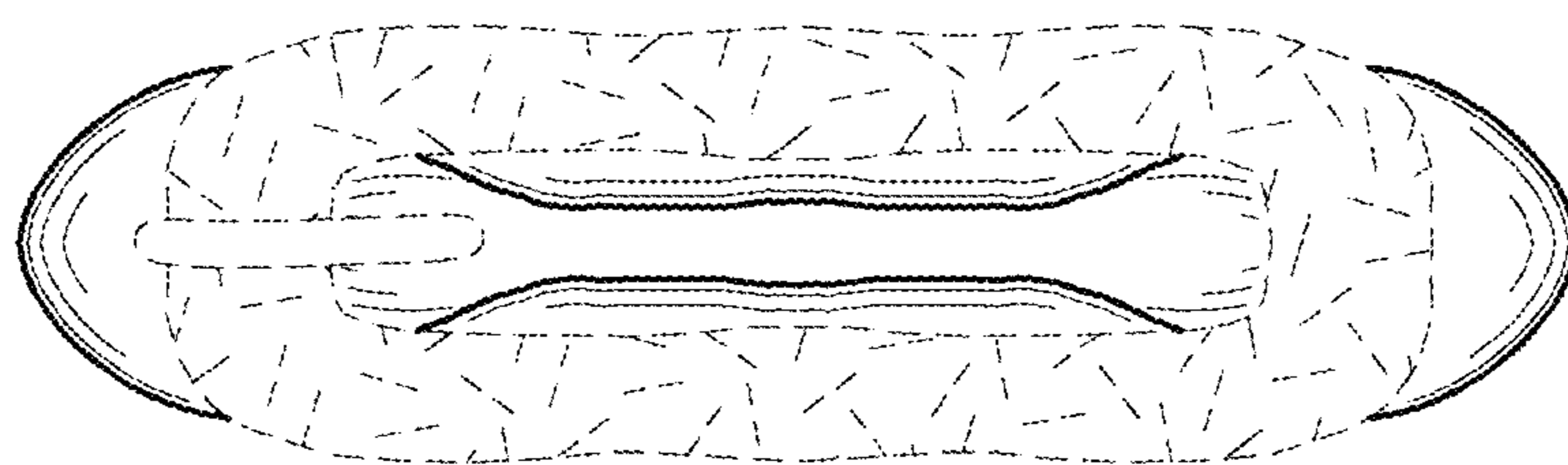


Fig. 6

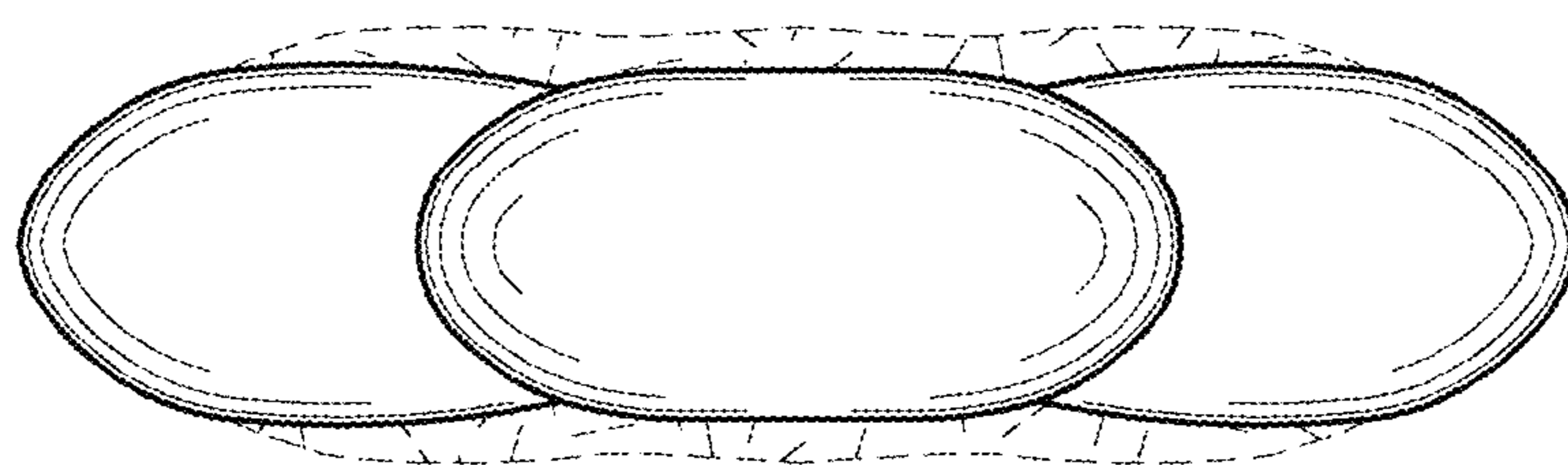


Fig. 7