



US00D818868S

(12) **United States Design Patent**
Sandberg et al.

(10) **Patent No.:** **US D818,868 S**

(45) **Date of Patent:** **** May 29, 2018**

(54) **JEWEL SETTING**

(71) Applicant: **FIRESTAR DIAMOND, INC.**, New York, NY (US)

(72) Inventors: **Samuel Sandberg**, New York, NY (US); **Mihir Bhansali**, New York, NY (US)

(73) Assignee: **FIRESTAR DIAMOND, INC.**, New York, NY (US)

(**) Term: **15 Years**

(21) Appl. No.: **29/637,308**

(22) Filed: **Feb. 15, 2018**

(51) **LOC (11) Cl.** **11-01**

(52) **U.S. Cl.**
USPC **D11/91**

(58) **Field of Classification Search**
USPC D11/1-43, 47, 77-80, 85, 86, 89-92
CPC A44C 1/00; A44C 5/00; A44C 5/0007;
A44C 5/0015; A44C 5/0023; A44C
5/003; A44C 5/0084; A44C 5/0092; A44C
7/00; A44C 7/001; A44C 7/002; A44C
7/003; A44C 7/004; A44C 7/005; A44C
13/00

See application file for complete search history.

(56) **References Cited**

U.S. PATENT DOCUMENTS

D20,736 S	5/1891	Beach	
D20,739 S	5/1891	Beach	
D164,165 S	8/1951	Grant	
D204,199 S *	3/1966	Westreich D11/90
D348,022 S	6/1994	Sandberg	
5,419,158 A	5/1995	Sandberg et al.	
D363,253 S	10/1995	Sikorski et al.	
D363,684 S	10/1995	Sikorski et al.	
D373,096 S	8/1996	Bergagnini	
5,596,887 A	1/1997	Bergagnini	

5,632,164 A	5/1997	Bergagnini
D381,925 S	8/1997	Bergagnini
5,727,399 A	3/1998	Bergagnini
D396,823 S	8/1998	Sikorski et al.
D408,753 S	4/1999	Bergagnini
D412,460 S	8/1999	Bergagnini
D412,681 S	8/1999	Canale
D414,442 S	9/1999	Canale
6,006,547 A	12/1999	Bergagnini
6,012,302 A	1/2000	Hurwitz et al.
D421,404 S	3/2000	Canale
D424,468 S	5/2000	Bergagnini

(Continued)

Primary Examiner — Cynthia Ramirez

Assistant Examiner — L. Martinez-Rivera

(74) *Attorney, Agent, or Firm* — Andrew F. Young, Esq.;
Lackebach Siegel, LLP

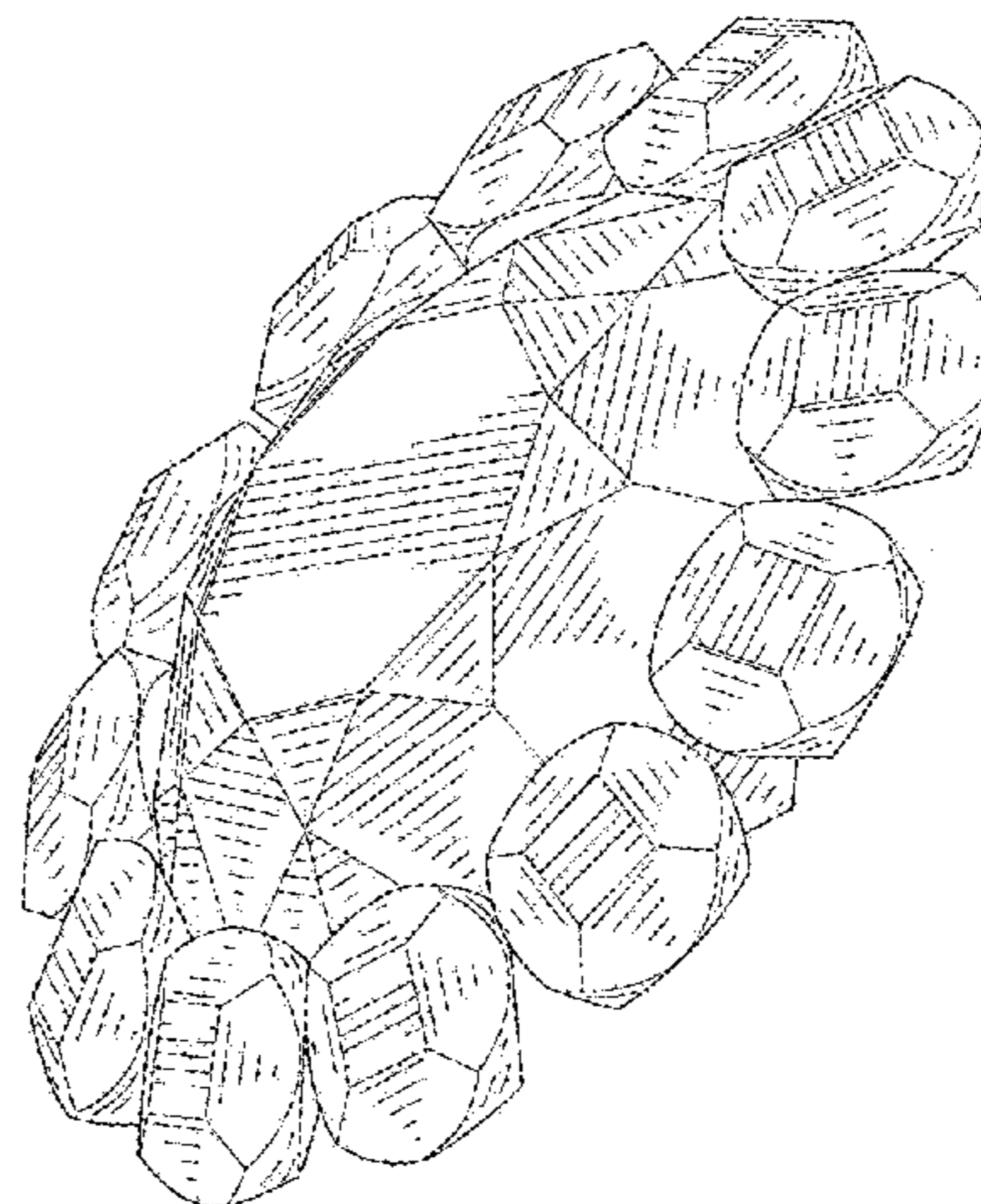
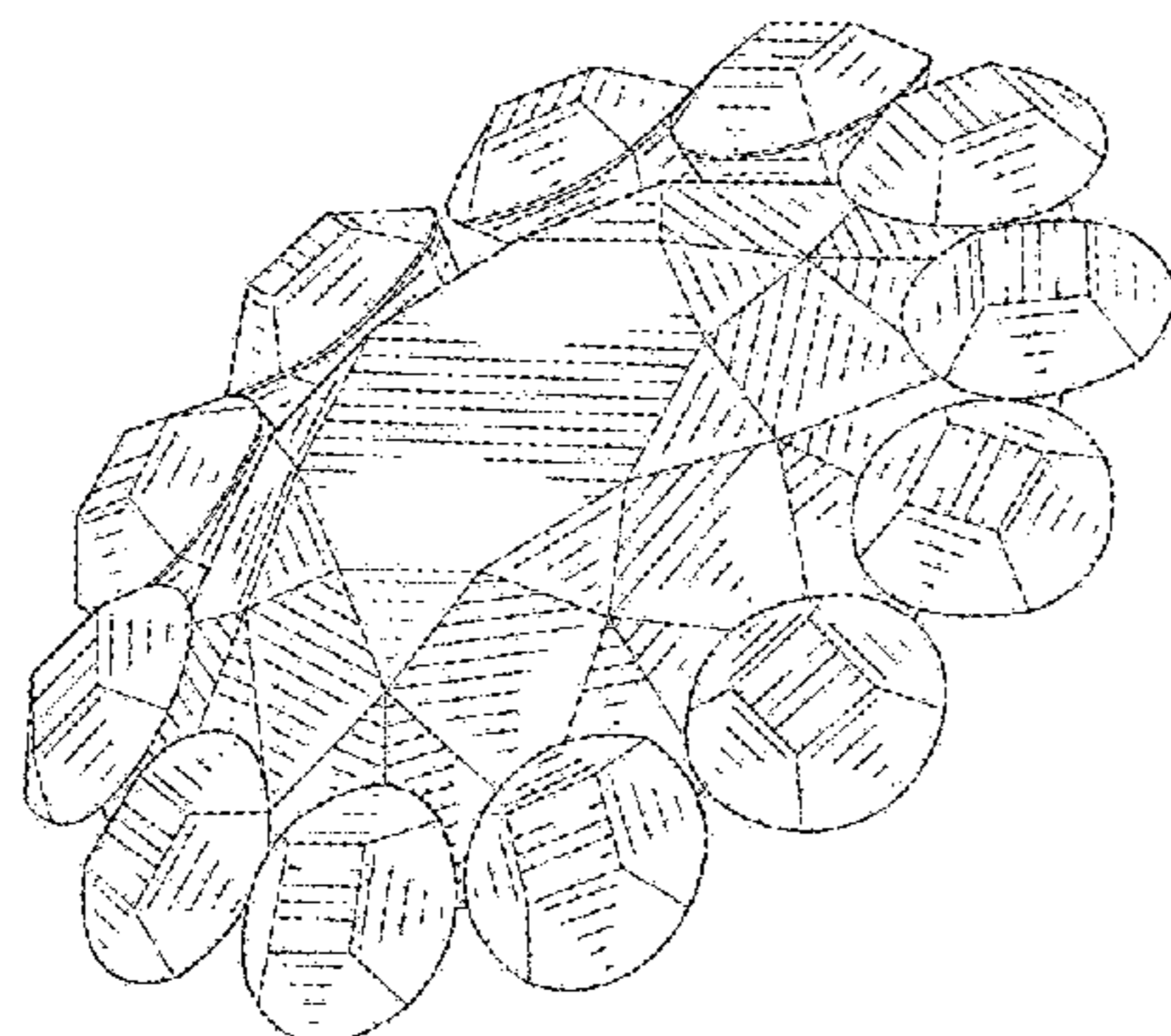
(57) **CLAIM**

The ornamental design for a jewel setting, as shown and described.

DESCRIPTION

FIG. 1 is a front top perspective view of a jewel setting of a first embodiment of our present invention.
 FIG. 2 is a bottom rear perspective view thereof.
 FIG. 3 is a top plan view thereof.
 FIG. 4 is a bottom plan view thereof.
 FIG. 5 is a front side elevation view thereof.
 FIG. 6 is a rear side elevation view thereof.
 FIG. 7 is a left side elevation view thereof.
 FIG. 8 is a right side elevation view thereof.
 FIG. 9 is a front top perspective view of the jewel setting of second embodiment of our present invention.
 FIG. 10 is a top plan view thereof.
 FIG. 11 is a bottom plan view thereof.
 FIG. 12 is a front side elevation view thereof.
 FIG. 13 is a rear side elevation view thereof.
 FIG. 14 is a left side elevation view thereof; and,
 FIG. 15 is a right side elevation view thereof.

1 Claim, 11 Drawing Sheets



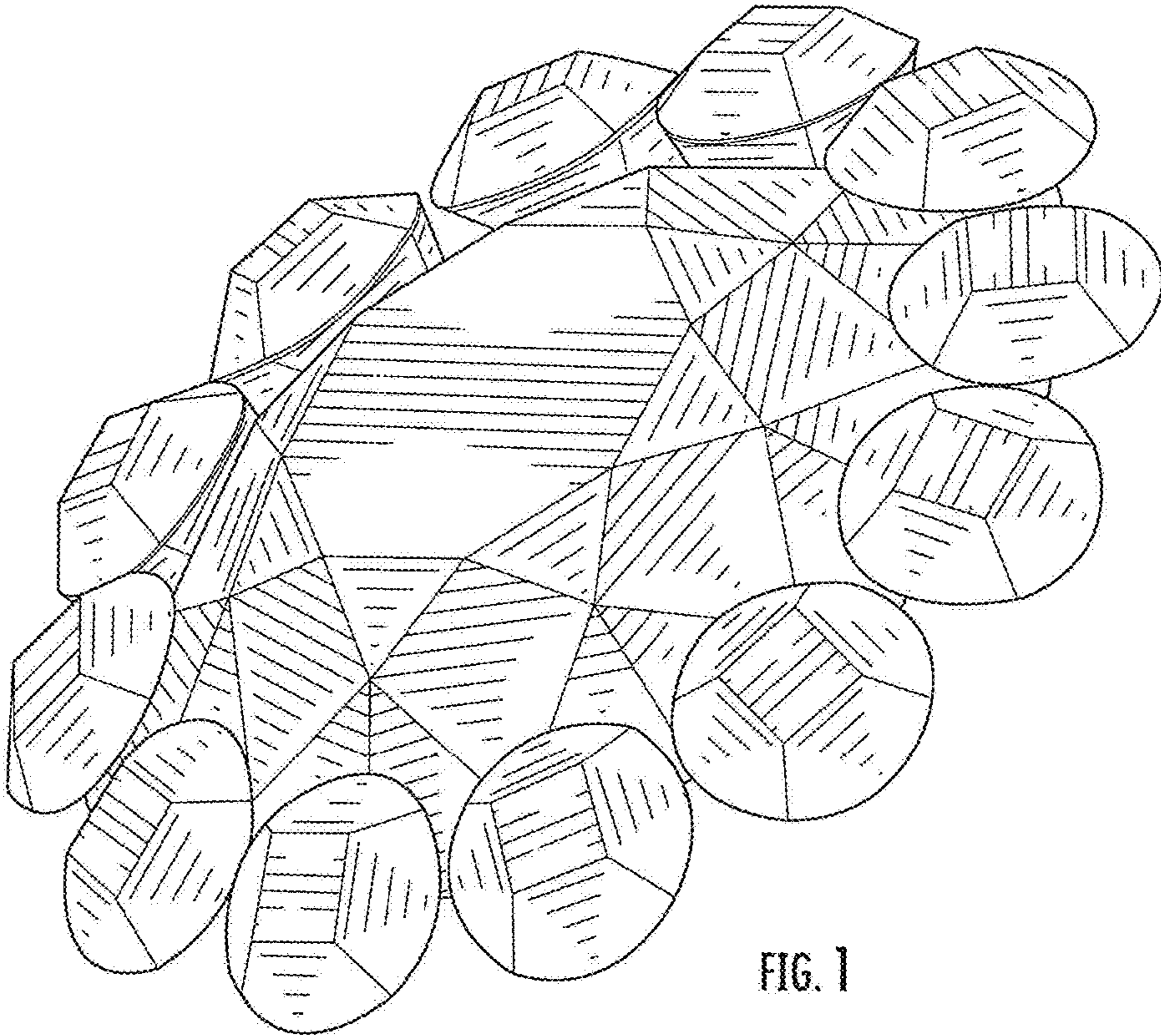
(56)

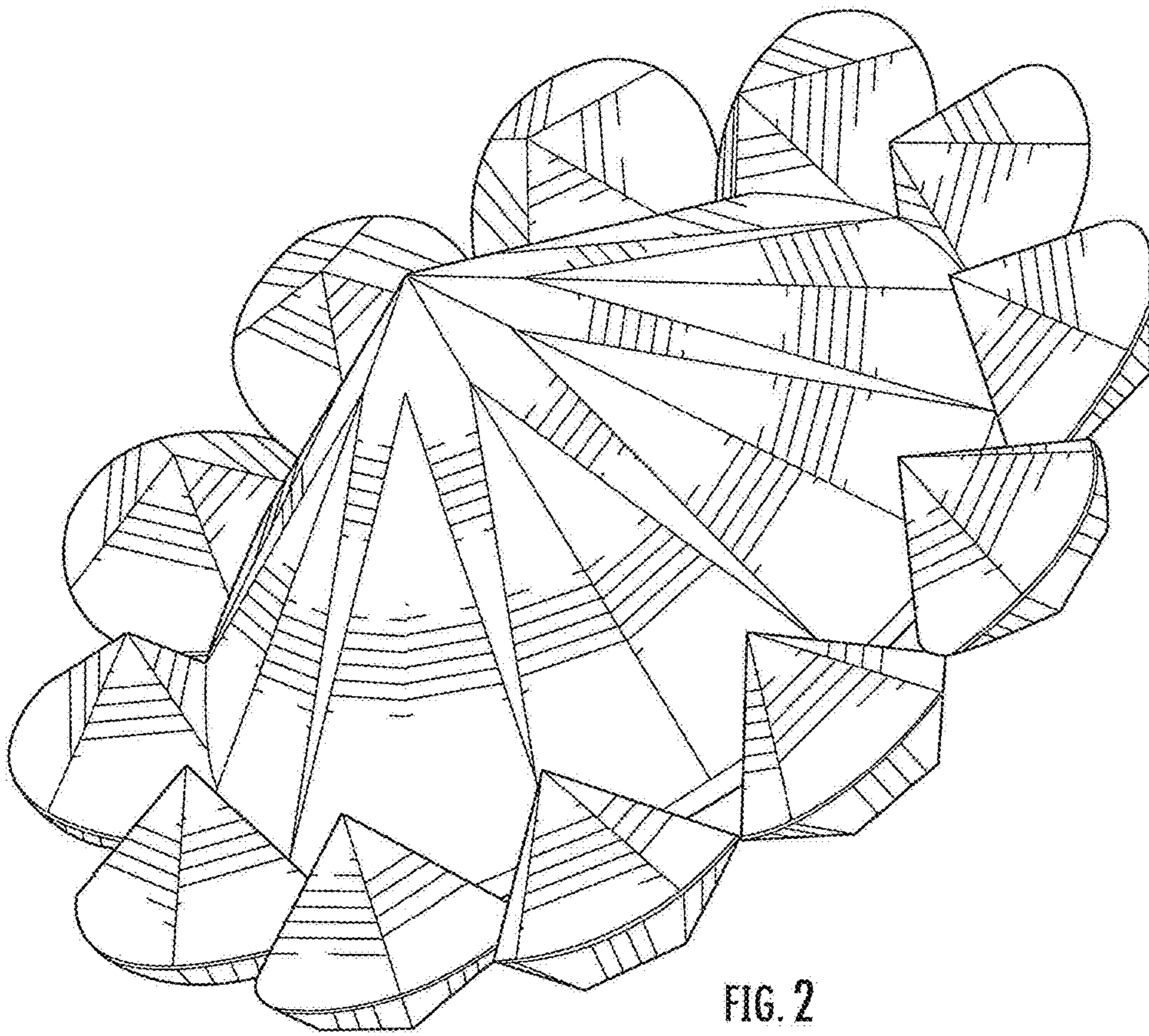
References Cited

U.S. PATENT DOCUMENTS

D440,403 S	4/2001	Sandberg	7,318,281 B2	1/2008	Pinto	
6,212,869 B1	4/2001	Sadowsky	D567,130 S	4/2008	Keating	
D444,098 S	6/2001	Hurwitz	D570,727 S	6/2008	Shah	
D446,161 S	8/2001	Gordon	D574,290 S	8/2008	Shah	
6,318,121 B1	11/2001	Pachauer	D574,746 S	8/2008	Nolan	
D452,183 S	12/2001	Pinto	D584,174 S	1/2009	Dholakiya	
D454,516 S	3/2002	Kim	D589,391 S	3/2009	Sandberg	
D459,679 S	7/2002	Patumraj	D590,291 S	4/2009	Brescia	
D463,311 S	9/2002	Shin	7,526,927 B2	5/2009	Pinto	
D463,754 S	10/2002	Pinto	D595,178 S	6/2009	Colombani	
D465,173 S	11/2002	Gordon	D601,913 S	10/2009	Cappellieri	
D466,753 S	12/2002	Shin	D602,799 S	10/2009	Colombani	
D466,828 S	12/2002	Pinto	D604,659 S	11/2009	Sandberg	
D467,196 S	12/2002	Pinto	D605,967 S	12/2009	Sandberg	
D467,832 S	12/2002	Pinto	D610,481 S	2/2010	Sandberg	
6,532,765 B1	3/2003	Hurwitz	D615,899 S	5/2010	Sandberg	
6,591,633 B2	7/2003	Pachauer	D618,132 S	6/2010	Wong et al.	
D480,659 S	10/2003	Pachauer	D619,032 S	7/2010	Papadimitriou	
D485,509 S	1/2004	Shagalov	D619,039 S	7/2010	Sandberg	
D490,338 S	5/2004	Hurwitz	D622,626 S	8/2010	Ventura	
D491,832 S	6/2004	Gordon	D625,217 S	10/2010	Hardy	
D498,169 S	11/2004	Pinto et al.	D625,218 S	10/2010	Hardy	
D499,046 S	11/2004	Pinto et al.	D628,112 S	11/2010	Papadimitriou	
D506,406 S	6/2005	Sandberg	D630,963 S	1/2011	Papadimitriou	
D507,985 S	8/2005	Sandberg	D630,965 S	1/2011	Ventura	
D508,866 S	8/2005	Shin	D632,207 S *	2/2011	Gurfinkel	D11/91
D508,867 S	8/2005	Shum	D634,235 S	3/2011	Sandberg	
D508,868 S	8/2005	Pinto et al.	D635,477 S	4/2011	Ventura	
D509,163 S	9/2005	Pinto et al.	D635,478 S	4/2011	Ventura	
D510,540 S	10/2005	Pinto et al.	D637,512 S	5/2011	Papadimitriou	
D513,204 S	12/2005	Sandberg	D639,694 S	6/2011	Papadimitriou	
D514,470 S	2/2006	Pinto et al.	D680,026 S *	4/2013	Wong	D11/91
D515,451 S	2/2006	Pinto et al.	D684,886 S *	6/2013	Wein	D11/91
D516,940 S	3/2006	Friedman	D684,887 S *	6/2013	Wein	D11/91
D520,897 S	5/2006	Sandberg	D685,287 S *	7/2013	Kothari	D11/91
D525,555 S	7/2006	Sandberg	D693,724 S *	11/2013	Kothari	D11/91
D525,556 S	7/2006	Sandberg	D693,725 S *	11/2013	Kothari	D11/91
D526,593 S	8/2006	Zaicik	D699,621 S *	2/2014	Kothari	D11/91
D528,457 S	9/2006	Sandberg	D717,688 S	11/2014	Akbari	
D542,691 S	5/2007	Sandberg	D718,173 S	11/2014	Sandberg	
D544,810 S	6/2007	Sandberg	D723,971 S	3/2015	Akbari	
D546,233 S	7/2007	Botha	D724,476 S	3/2015	Sandberg	
D547,229 S	7/2007	Sandberg et al.	D738,777 S	9/2015	Modi	
D548,639 S	8/2007	Bondanza	D806,604 S *	1/2018	Blustein	D11/90
D551,113 S	9/2007	Shin	D812,517 S *	3/2018	Botha	D11/90
			2005/0188722 A1	9/2005	Nevetia et al.	

* cited by examiner





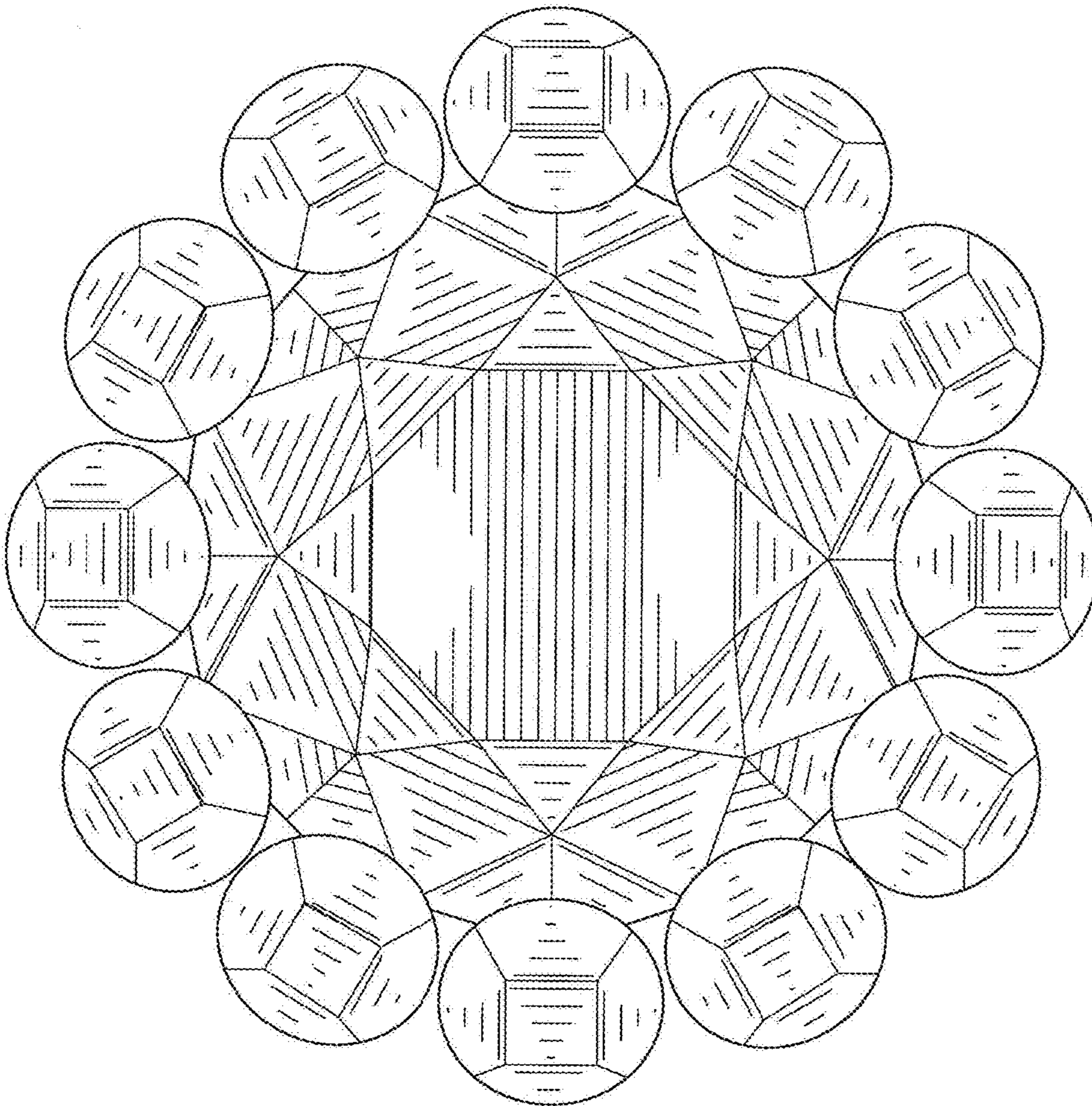


FIG. 3

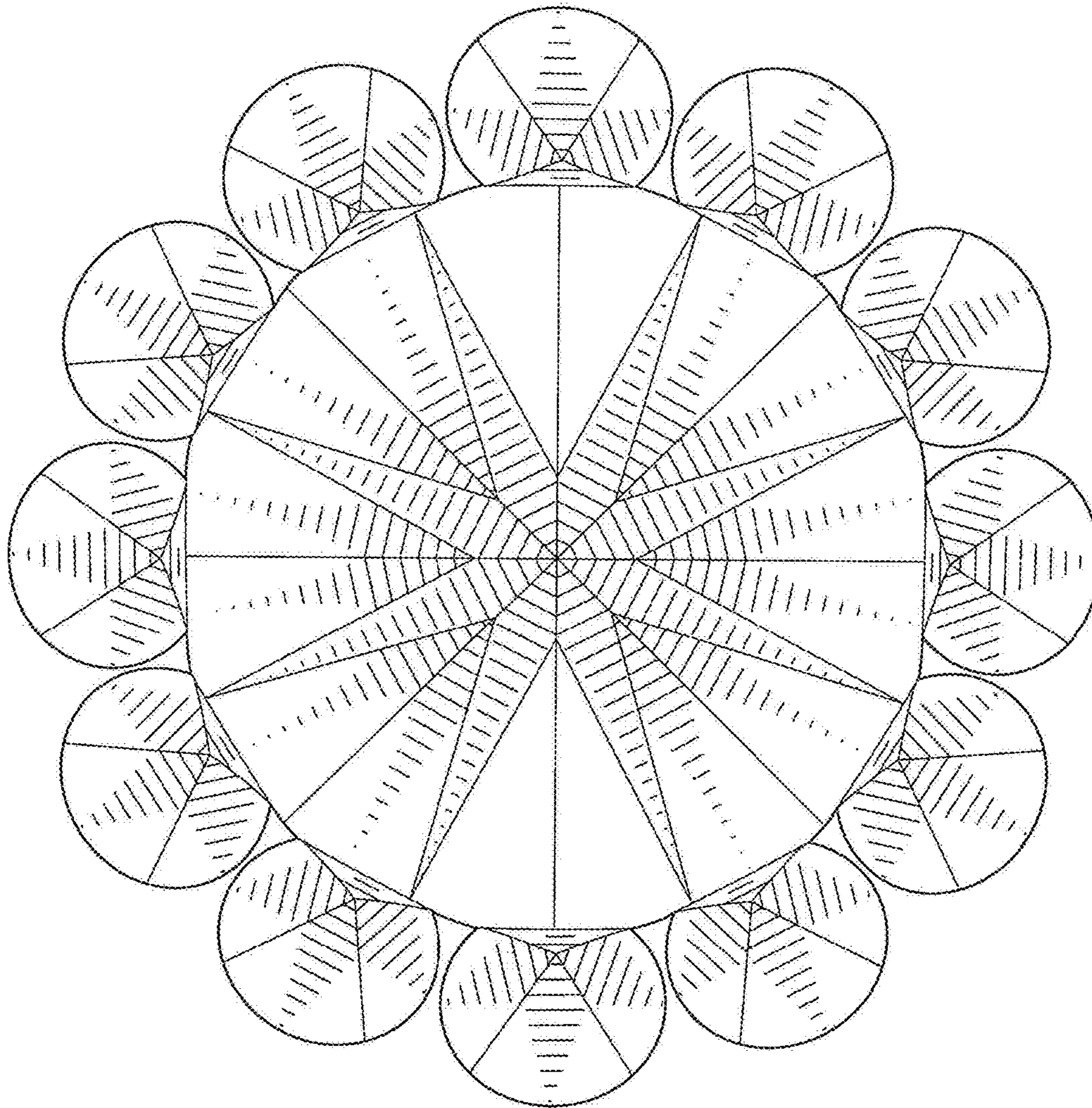


FIG. 4

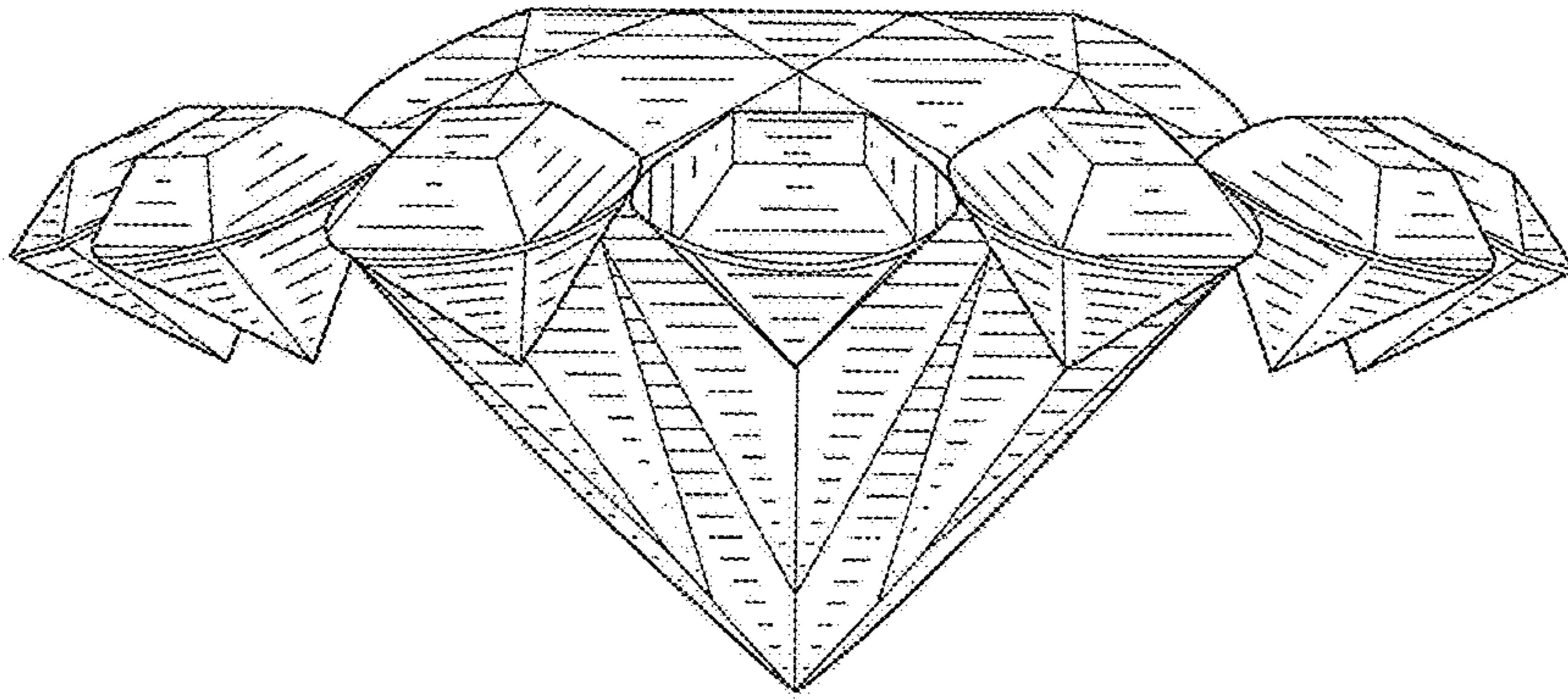


FIG. 5

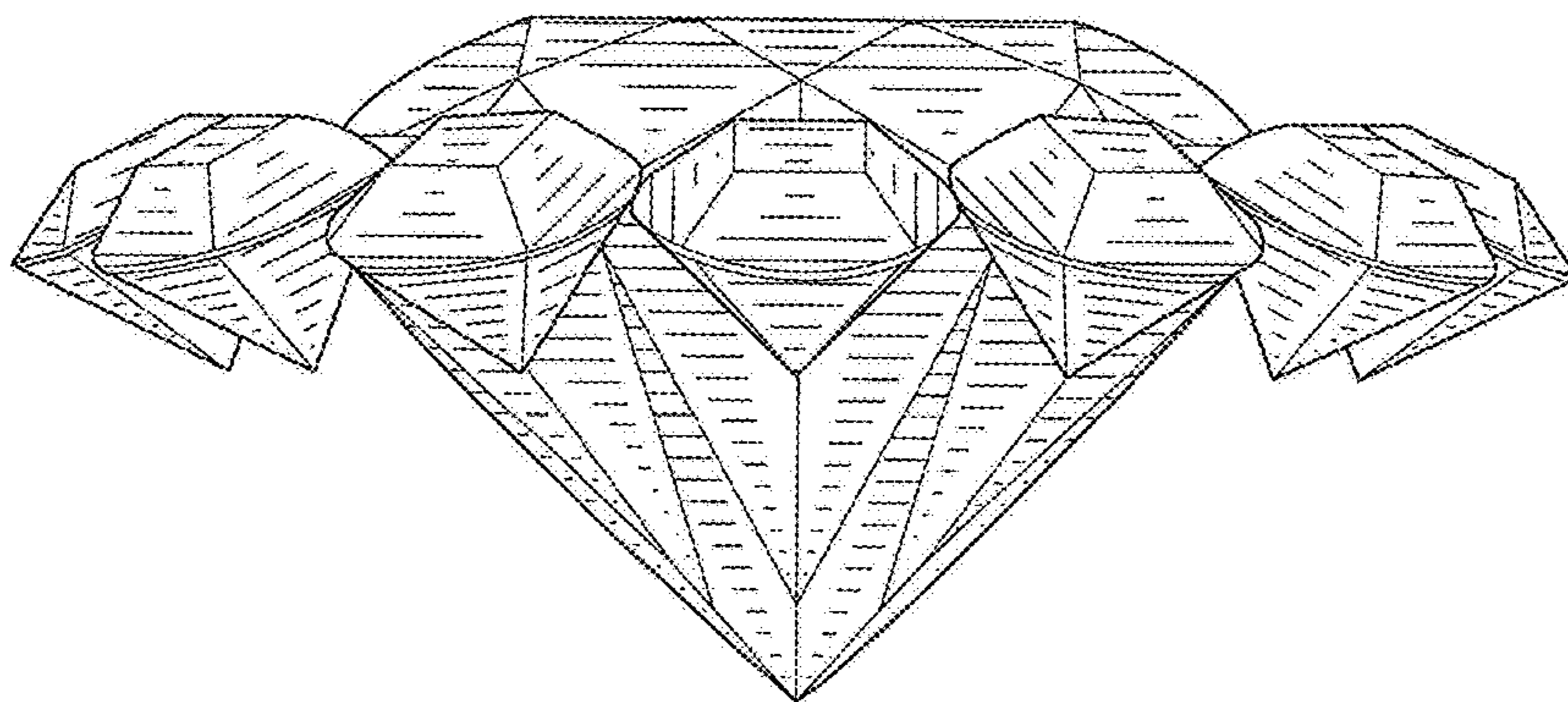


FIG. 6

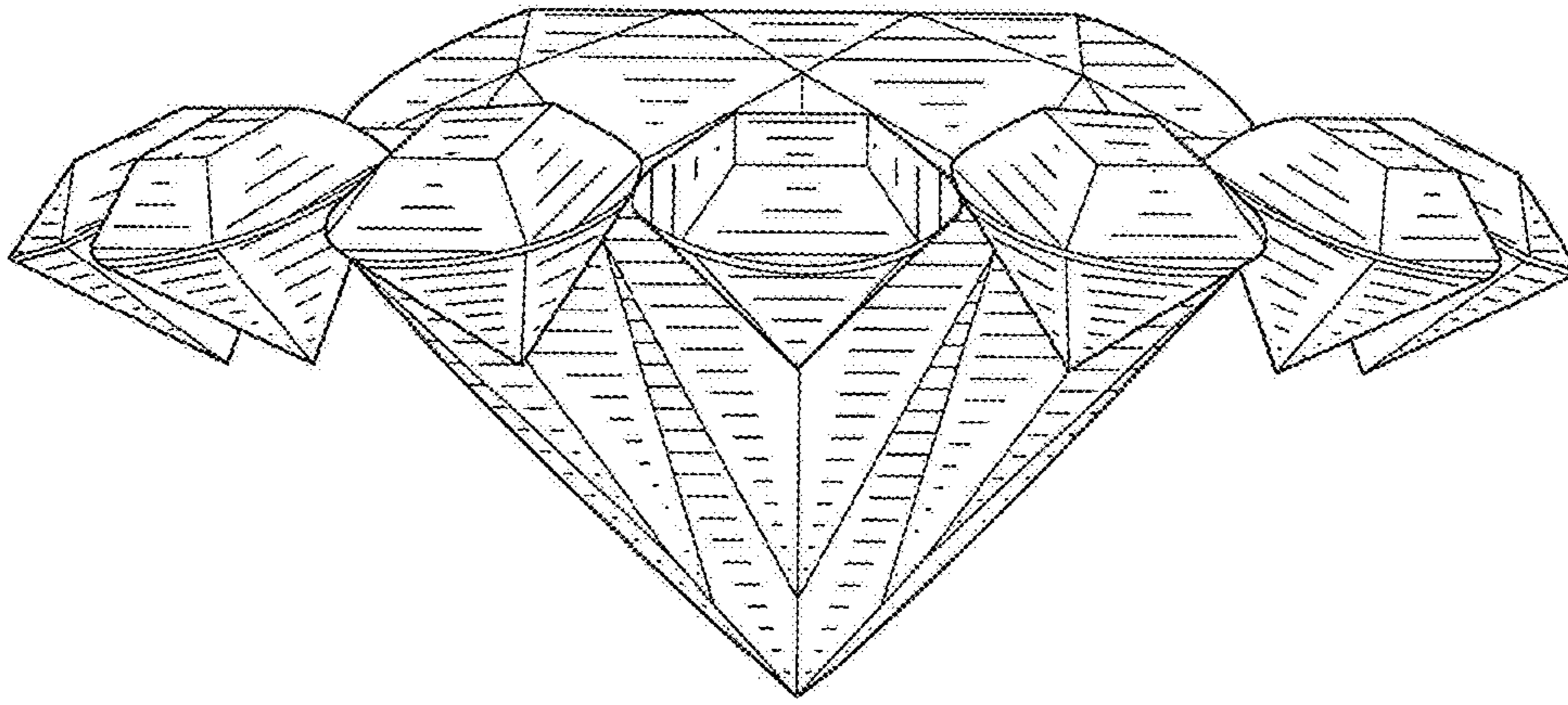


FIG. 7

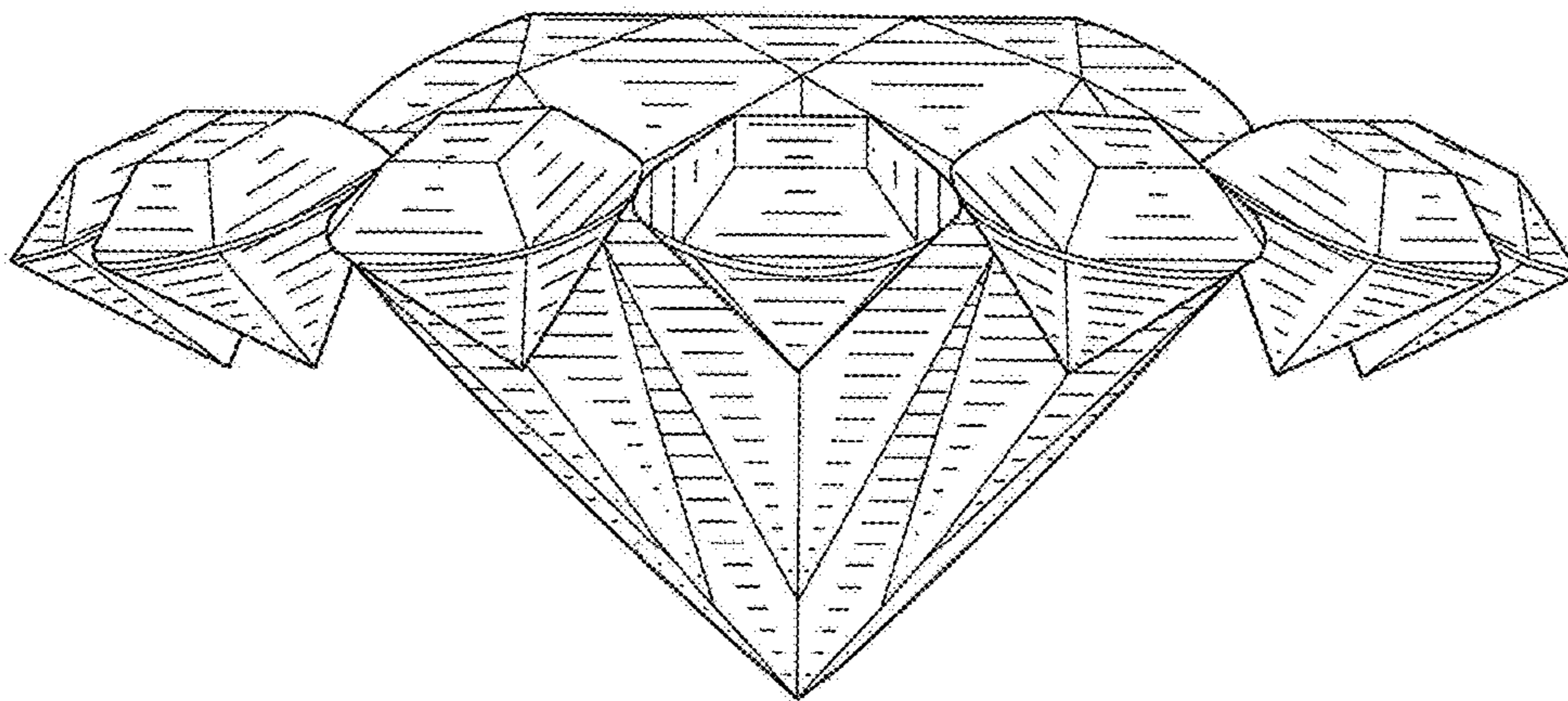
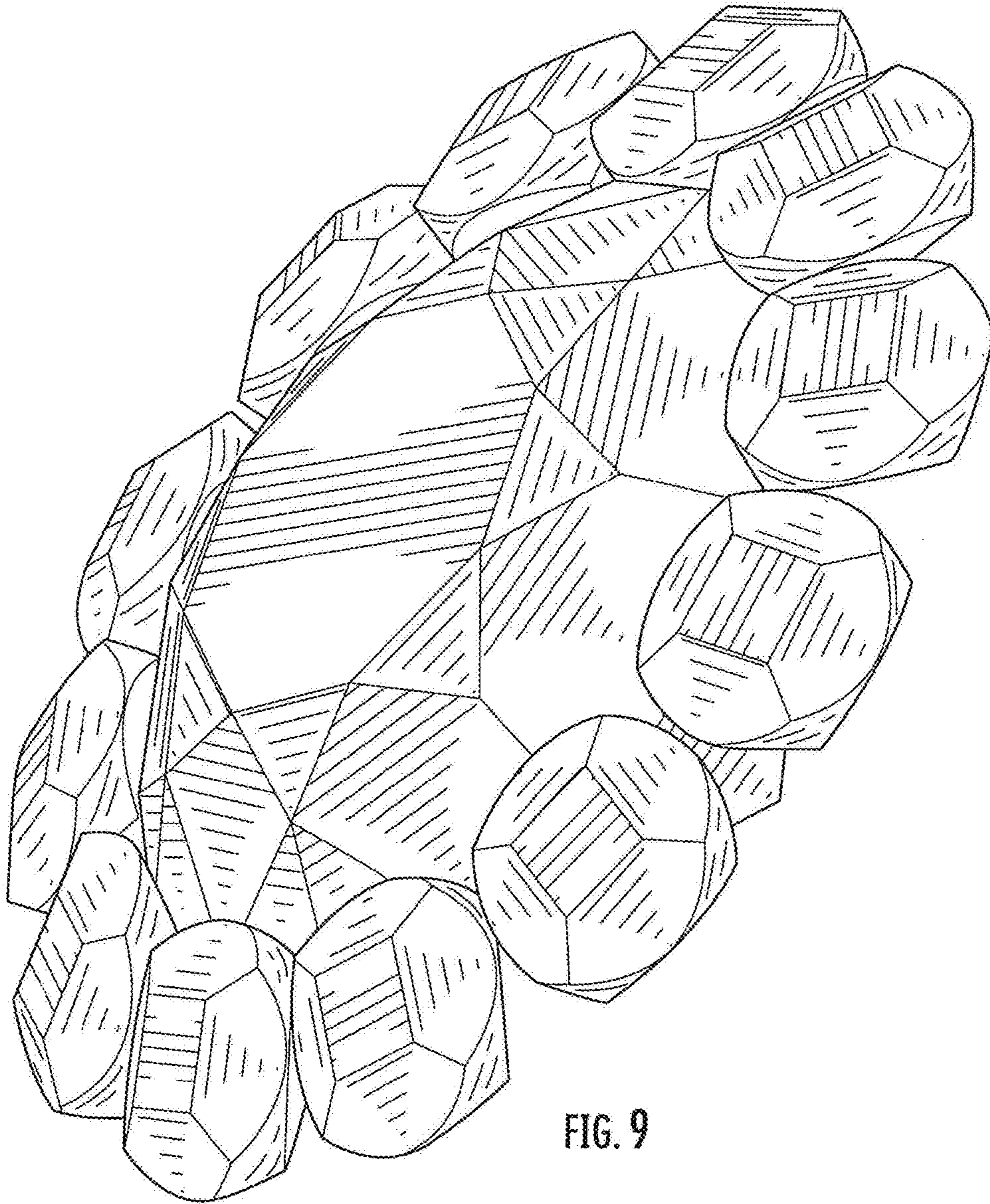


FIG. 8



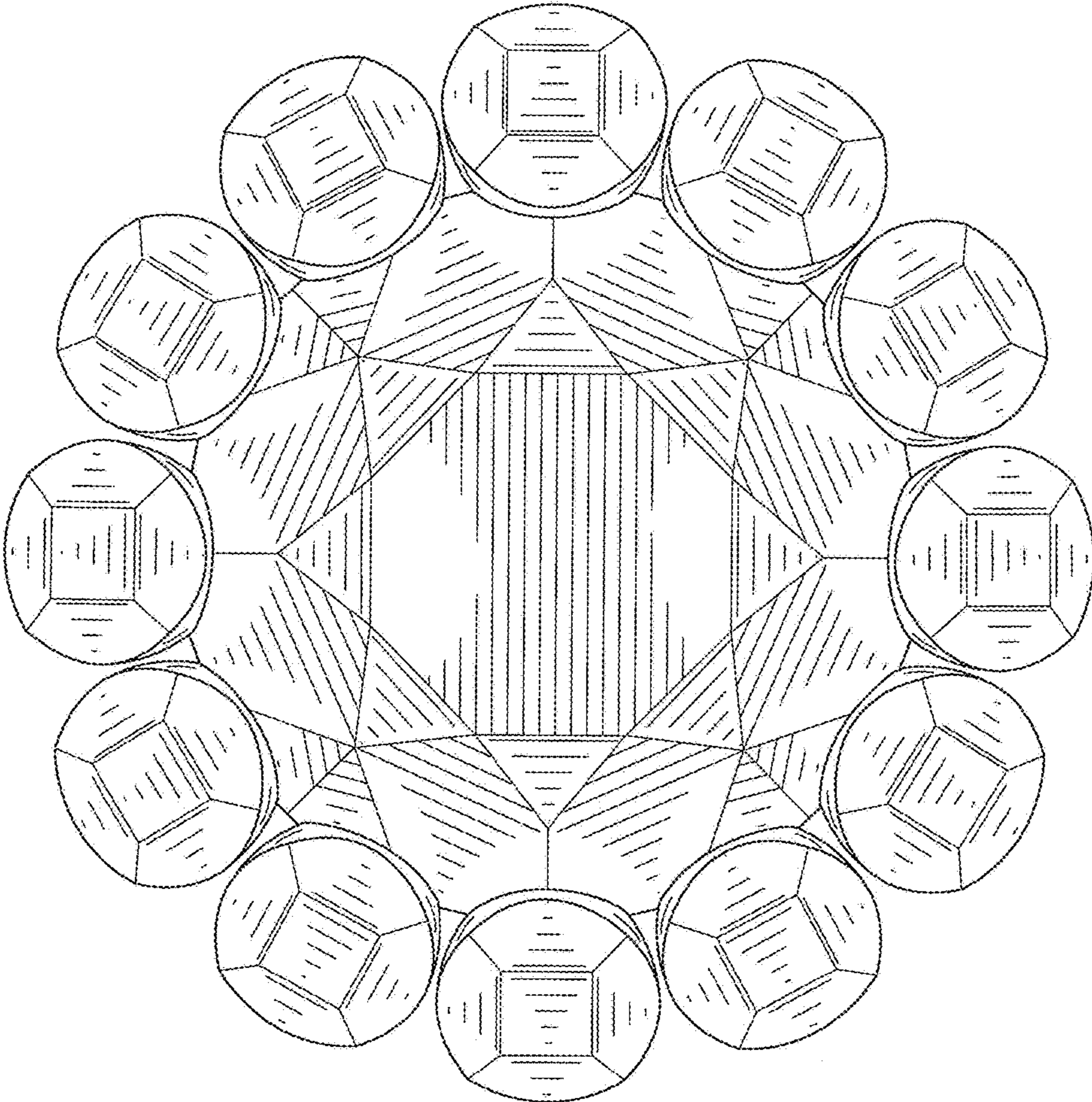


FIG. 10

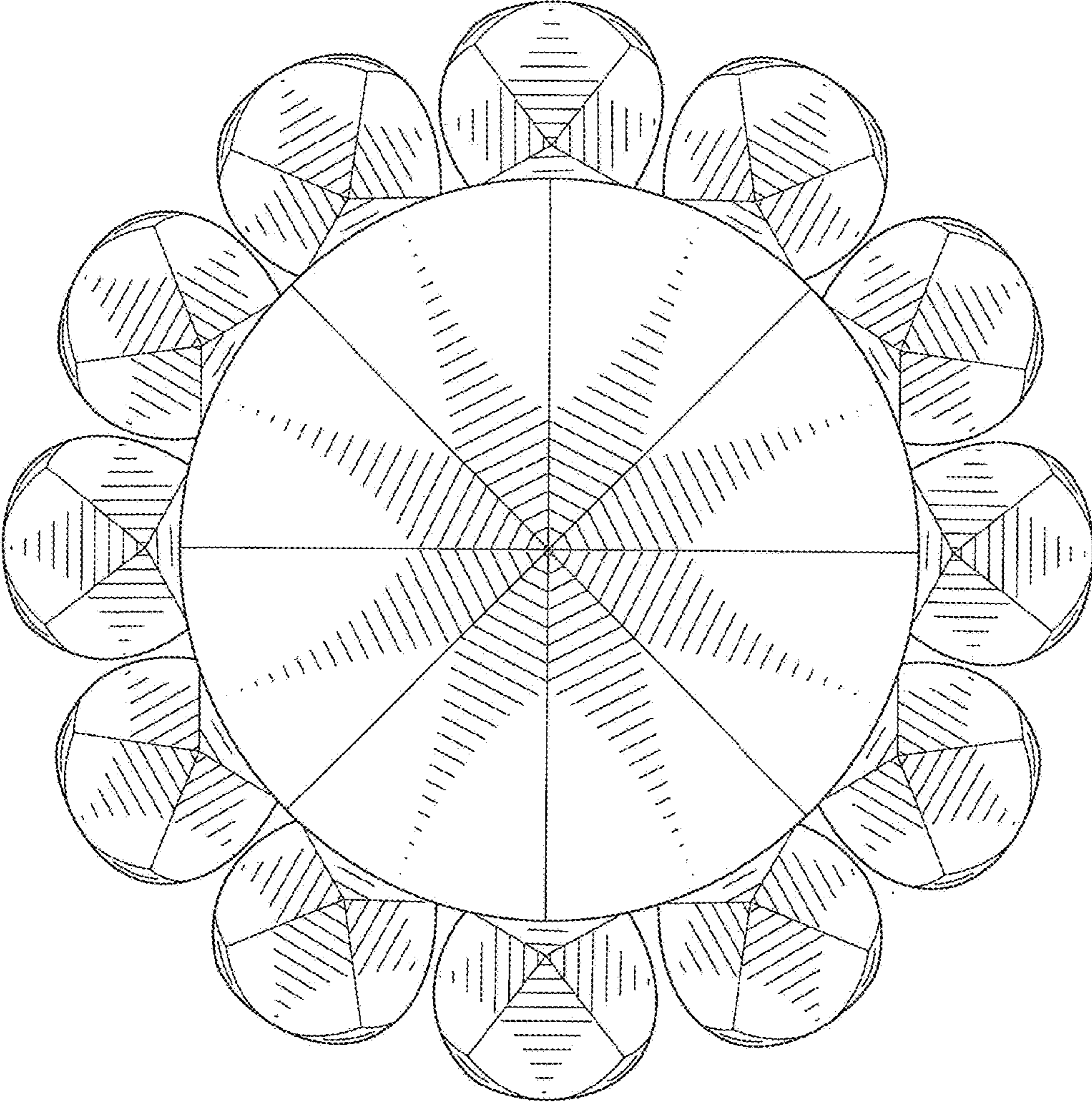


FIG. 11

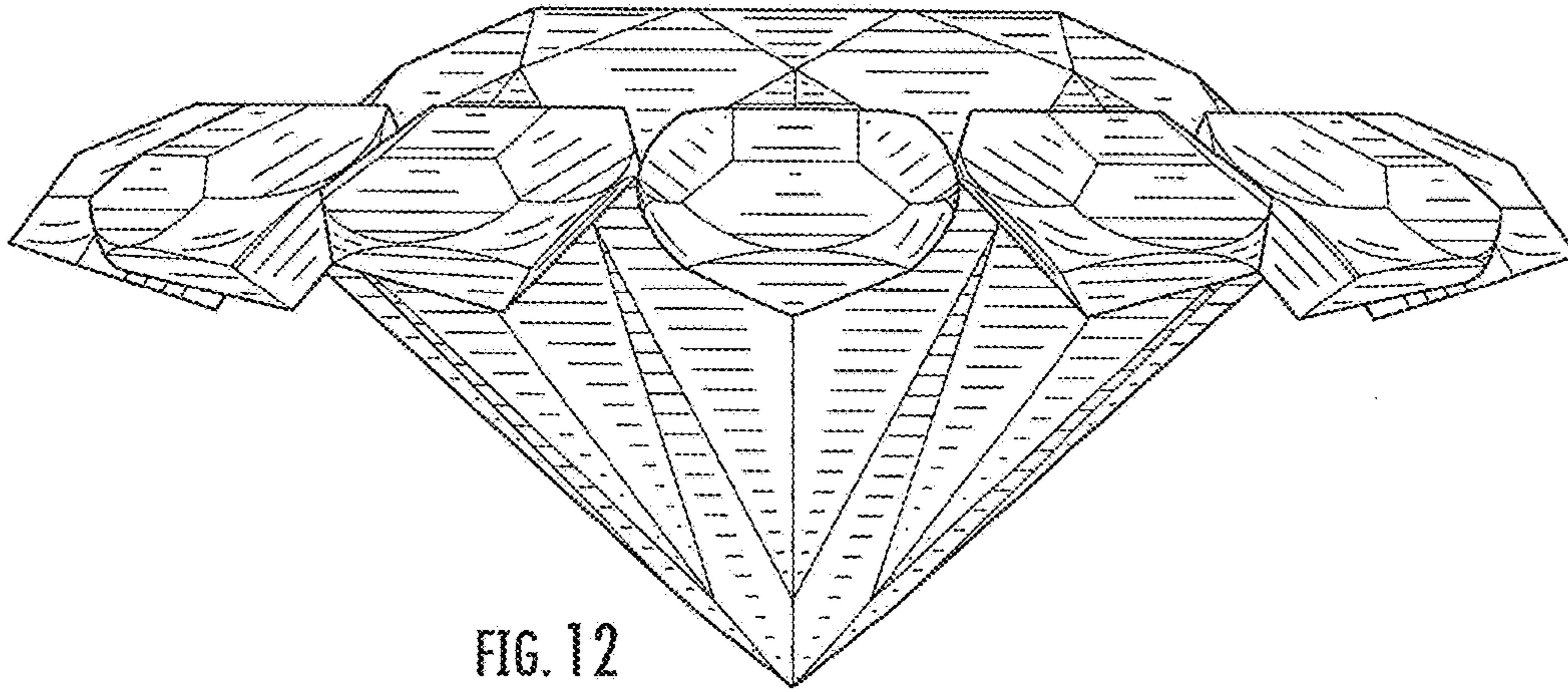


FIG. 12

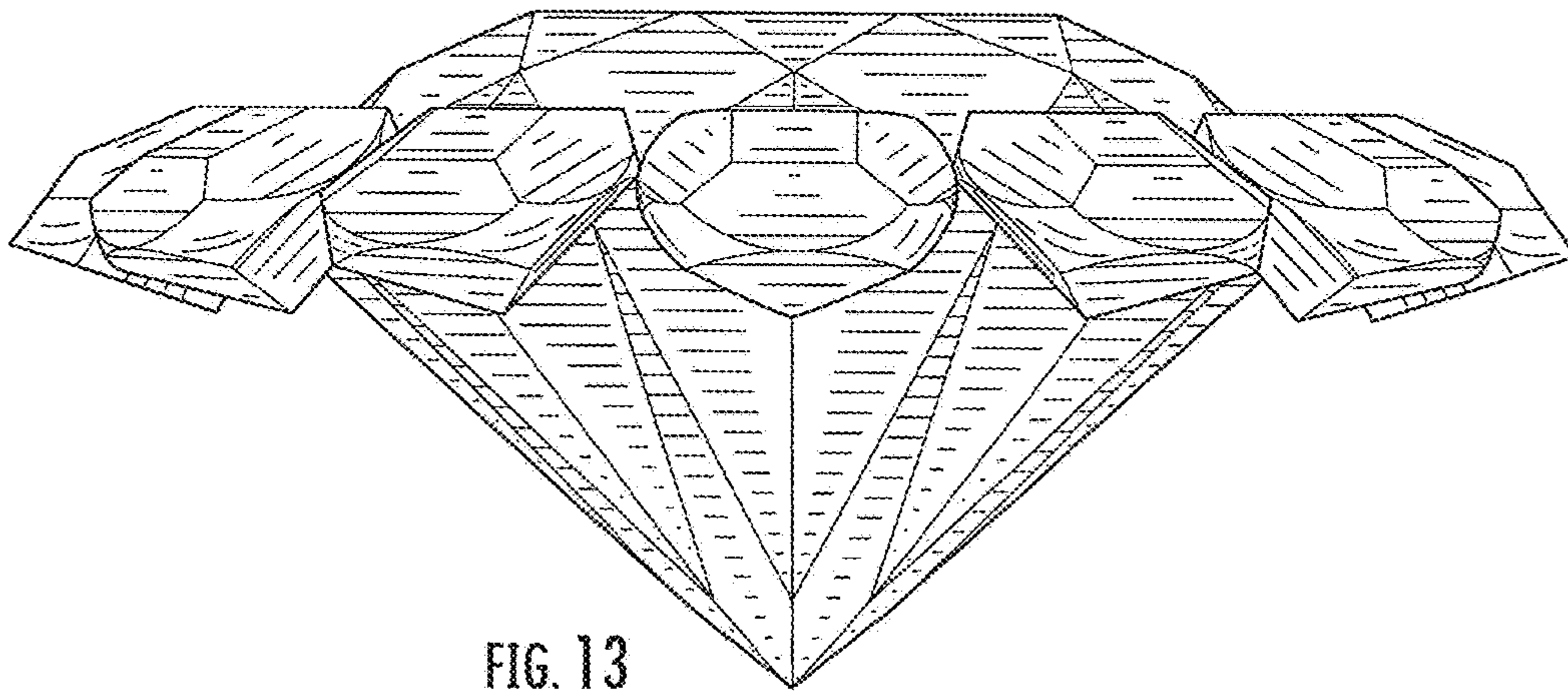


FIG. 13

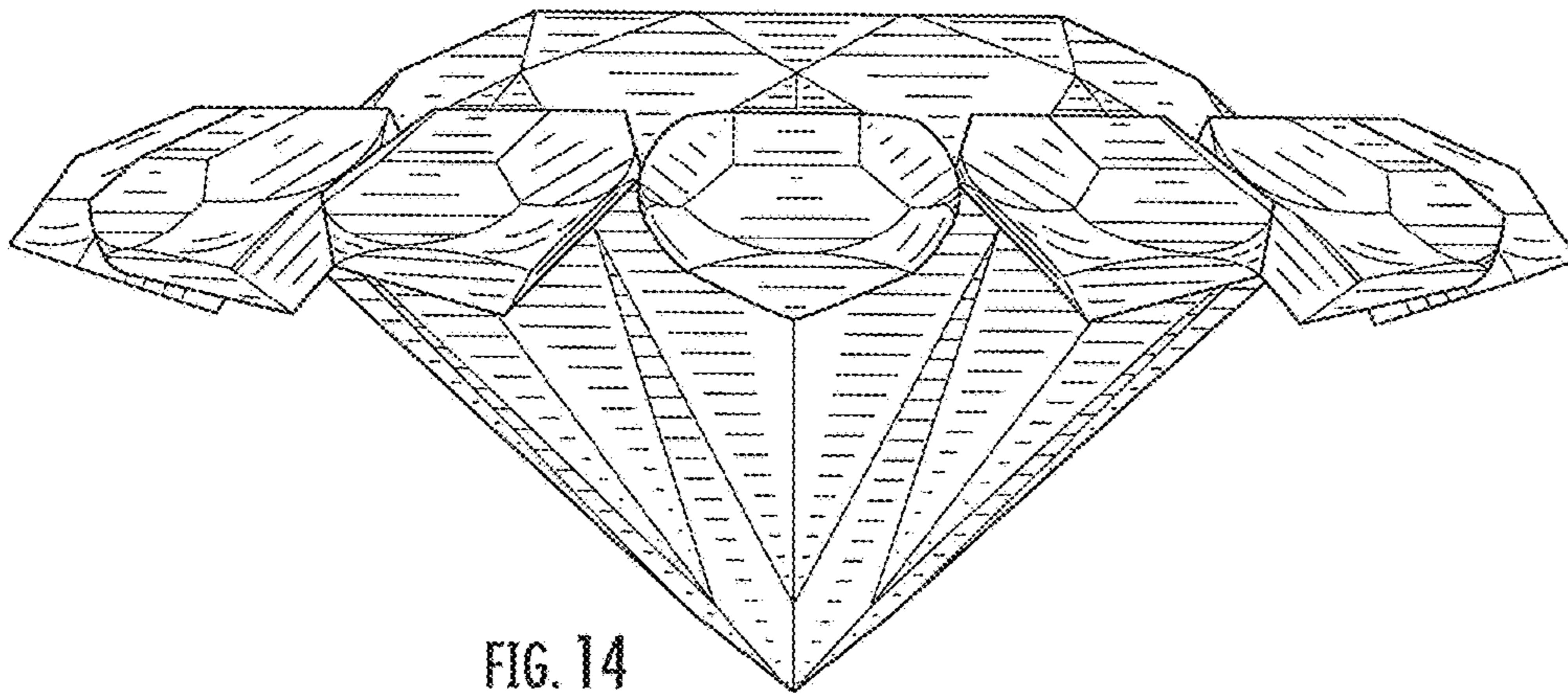


FIG. 14

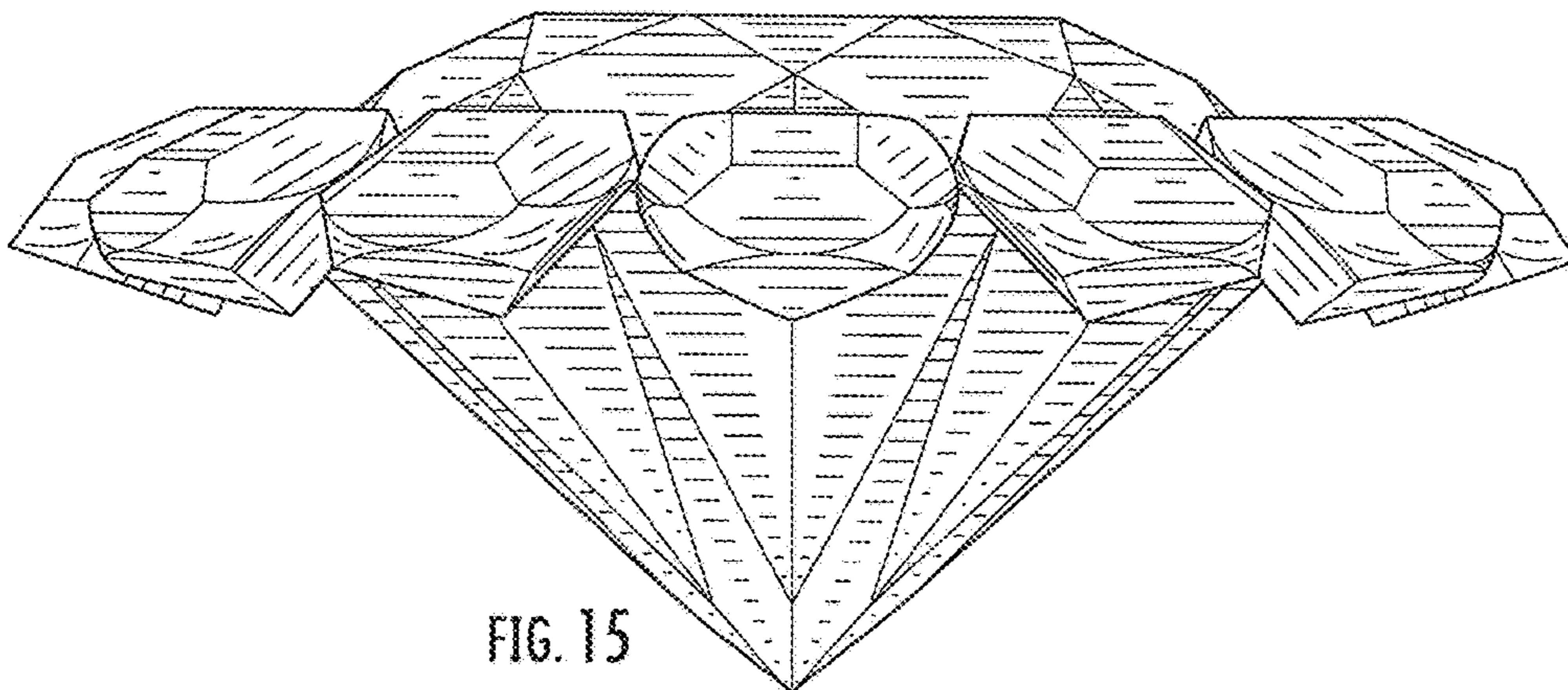


FIG. 15