



US00D818865S

(12) **United States Design Patent** (10) **Patent No.:** **US D818,865 S**  
**Stepper et al.** (45) **Date of Patent:** **\*\* May 29, 2018**

(54) **BRACELET**

- (71) Applicant: **Stepper Bros., LLC**, Brighton, MA (US)
- (72) Inventors: **Mark Stepper**, Needham, MA (US);  
**David Stepper**, Cambridge, MA (US)
- (73) Assignee: **Stepper Bros., LLC**, Brighton, MA (US)
- (\*\*) Term: **15 Years**
- (21) Appl. No.: **29/565,184**
- (22) Filed: **May 18, 2016**

**Related U.S. Application Data**

- (62) Division of application No. 29/485,094, filed on Mar. 14, 2014, now Pat. No. Des. 759,528.
- (51) **LOC (11) Cl.** ..... **11-01**
- (52) **U.S. Cl.**  
USPC ..... **D11/4**
- (58) **Field of Classification Search**  
USPC .... D11/1-18, 26, 27, 29, 30, 31, 34, 37, 38,  
D11/39, 40-43, 79-86; D28/41;  
D24/167, 186; D14/344  
CPC ..... A44C 5/00; A44C 5/0007; A44C 5/0015;  
A44C 5/0023; A44C 5/003; A44C  
5/0038; A44C 5/0046; A44C 5/0053;  
A44C 5/0061; A44C 5/0069; A44C  
5/0076; A44C 5/0084; A44C 5/0092;  
A44C 5/12; A44C 7/00; A44C 7/002;  
A44C 7/004; A44C 7/005; A44C 13/00;  
A44C 15/001; A44C 15/0015; A44C  
15/002; A44C 15/0025; A44C 15/003;  
A44C 25/00; A44C 25/001; A44C 17/02;  
A44C 17/0208; A44C 17/0216; A44C  
17/0225; A44C 17/0233; A44C 17/0241;  
A44C 17/025; A44C 17/04; A44C  
17/046; A44D 2201/00; A44D 2201/50  
See application file for complete search history.

(56) **References Cited**

U.S. PATENT DOCUMENTS

554,417 A	2/1896	Forsheim	
1,042,918 A	10/1912	Houck	
D55,788 S *	7/1920	Griffin	D11/6
2,015,616 A	9/1935	Clark	
2,052,381 A	8/1936	Chernow	
D129,639 S *	9/1941	Mark	D11/14
D214,956 S *	8/1969	Alaska	D11/44
D220,019 S *	2/1971	Solom	D28/41
4,033,143 A	7/1977	Michael	
D247,482 S *	3/1978	Schupp	D11/4
D257,017 S *	9/1980	Barr	D11/16
D282,353 S *	1/1986	Wong	D11/82
4,763,489 A *	8/1988	Strong	A44C 13/00 63/4
4,862,435 A	8/1989	Reichel et al.	

(Continued)

*Primary Examiner* — Cynthia Ramirez  
*Assistant Examiner* — Llorellys Martinez-Rivera  
 (74) *Attorney, Agent, or Firm* — Wolf, Greenfield & Sacks, P.C.

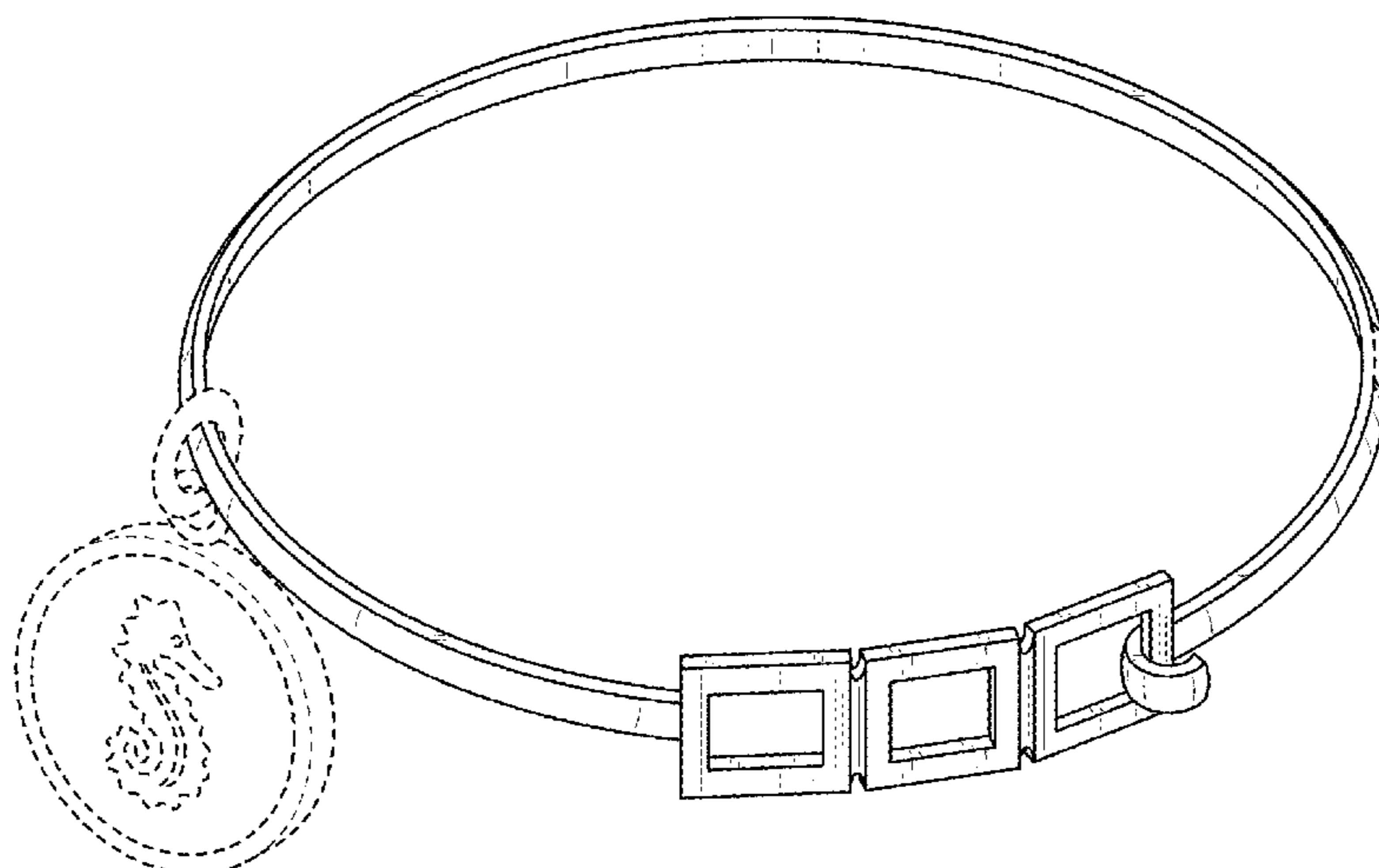
(57) **CLAIM**

The ornamental design for a bracelet, as shown and described.

**DESCRIPTION**

FIG. 1 is a perspective view of a first embodiment of a bracelet showing our new design;  
 FIG. 2 is a front elevational view thereof;  
 FIG. 3 is a perspective view of a second embodiment of the bracelet; and,  
 FIG. 4 is a front elevational view of FIG. 3.  
 The broken lines shown in FIGS. 1-4 represent unclaimed portions of the bracelet and form no part of the claimed design.

**1 Claim, 4 Drawing Sheets**



(56)

References Cited

U.S. PATENT DOCUMENTS

5,000,780	A *	3/1991	Tokunaga	.....	A44C 15/002				
						419/26			
D372,680	S	8/1996	Salva et al.						
5,605,262	A	2/1997	Bond						
D382,088	S *	8/1997	Harp	.....	D11/17				
D383,698	S	9/1997	Fletcher						
D383,702	S	9/1997	MacDonald						
5,741,035	A	4/1998	Glass						
5,758,516	A	6/1998	Uematsu						
6,155,409	A	12/2000	Hettinger						
6,470,708	B1	10/2002	Green						
D472,177	S	3/2003	McCullough-McPherson						
D474,423	S	5/2003	James						
D484,783	S	1/2004	Woodhall						
7,210,313	B1 *	5/2007	Kay	.....	A44C 5/12				
						63/11			
D563,820	S *	3/2008	Walsh	.....	D11/14				
D590,289	S	4/2009	Karpman						
D591,634	S *	5/2009	Gorman	.....	D11/4				
D597,881	S *	8/2009	Hou	.....	D11/3				
D616,325	S *	5/2010	Shaforost	.....	D11/4				
8,061,068	B1 *	11/2011	Donovan	.....	A44C 3/004				
						40/586			
D665,292	S *	8/2012	Jackson	.....	D11/79				
D684,083	S *	6/2013	Bulgari	.....	D11/6				
D694,662	S *	12/2013	Buckley	.....	D11/3				
D701,645	S	3/2014	Noel						
D704,087	S *	5/2014	DiPietro	.....	D11/5				
D705,692	S *	5/2014	Mello	.....	D11/38				
D707,582	S *	6/2014	DiPietro	.....	D11/5				
D712,298	S *	9/2014	Taylor-Cattapan	.....	D11/79				
D712,299	S *	9/2014	DiPietro	.....	D11/79				
D713,404	S *	9/2014	Green	.....	D14/344				
D717,195	S *	11/2014	Taylor-Cattapan	.....	D11/17				
D727,771	S *	4/2015	Lerman	.....	D11/3				
D753,832	S *	4/2016	Lin	.....	D24/186				
D759,528	S *	6/2016	Stepper	.....	D11/4				
D770,322	S *	11/2016	Ban	.....	D11/13				
D779,359	S *	2/2017	Magnanimi	.....	D11/5				
9,560,899	B2	2/2017	Stepper et al.						
D785,488	S *	5/2017	Tanory, Jr.	.....	D11/17				
2013/0091894	A1 *	4/2013	Brown	.....	A44C 13/00				
						63/3.1			
2013/0263625	A1 *	10/2013	Taylor-Cattapan	.....	A44C 17/0216				
						63/4			
2015/0075218	A1	3/2015	Stepper et al.						
2016/0353846	A1 *	12/2016	Zanghi	.....	A44C 5/0053				

\* cited by examiner

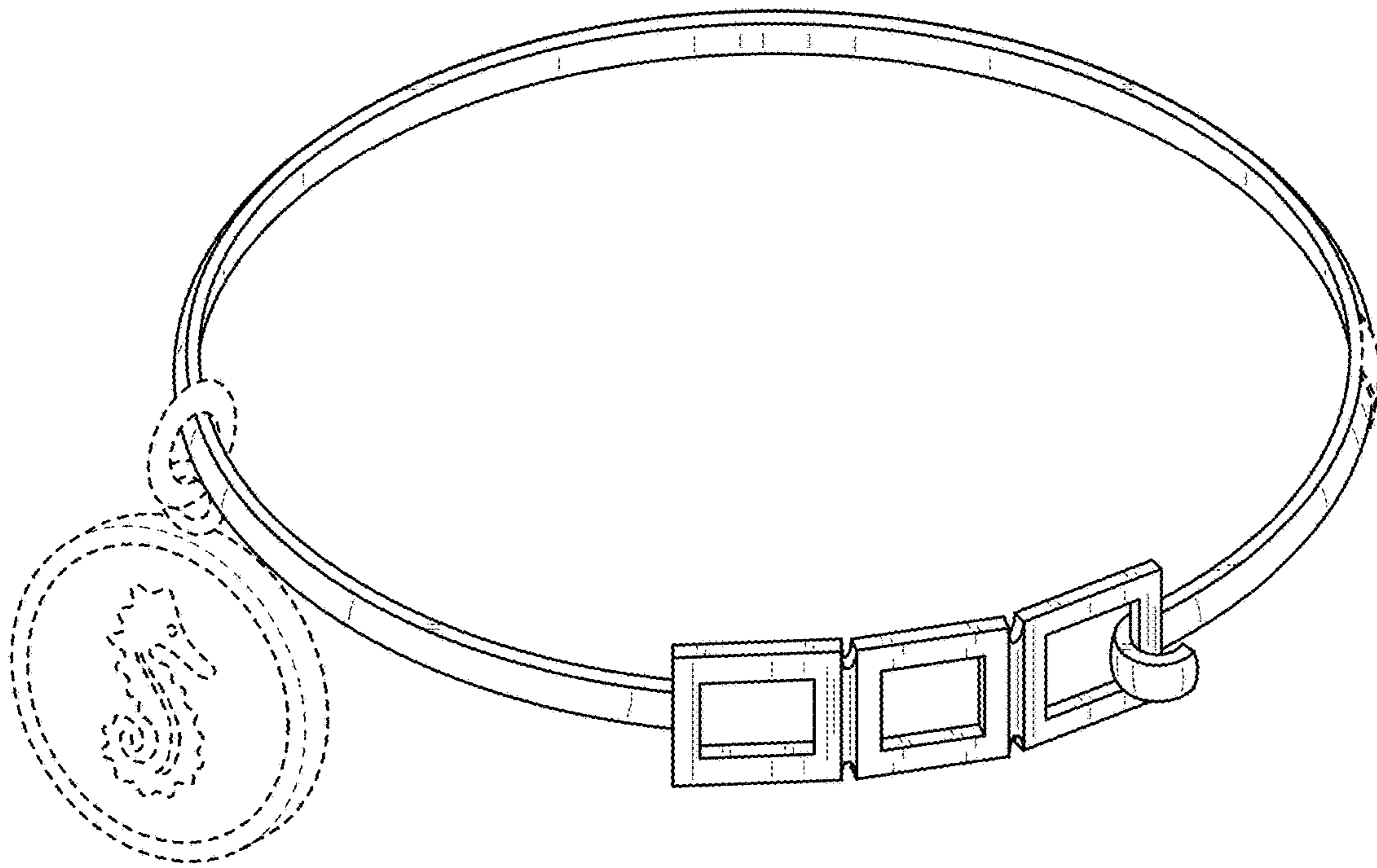


FIG. 1

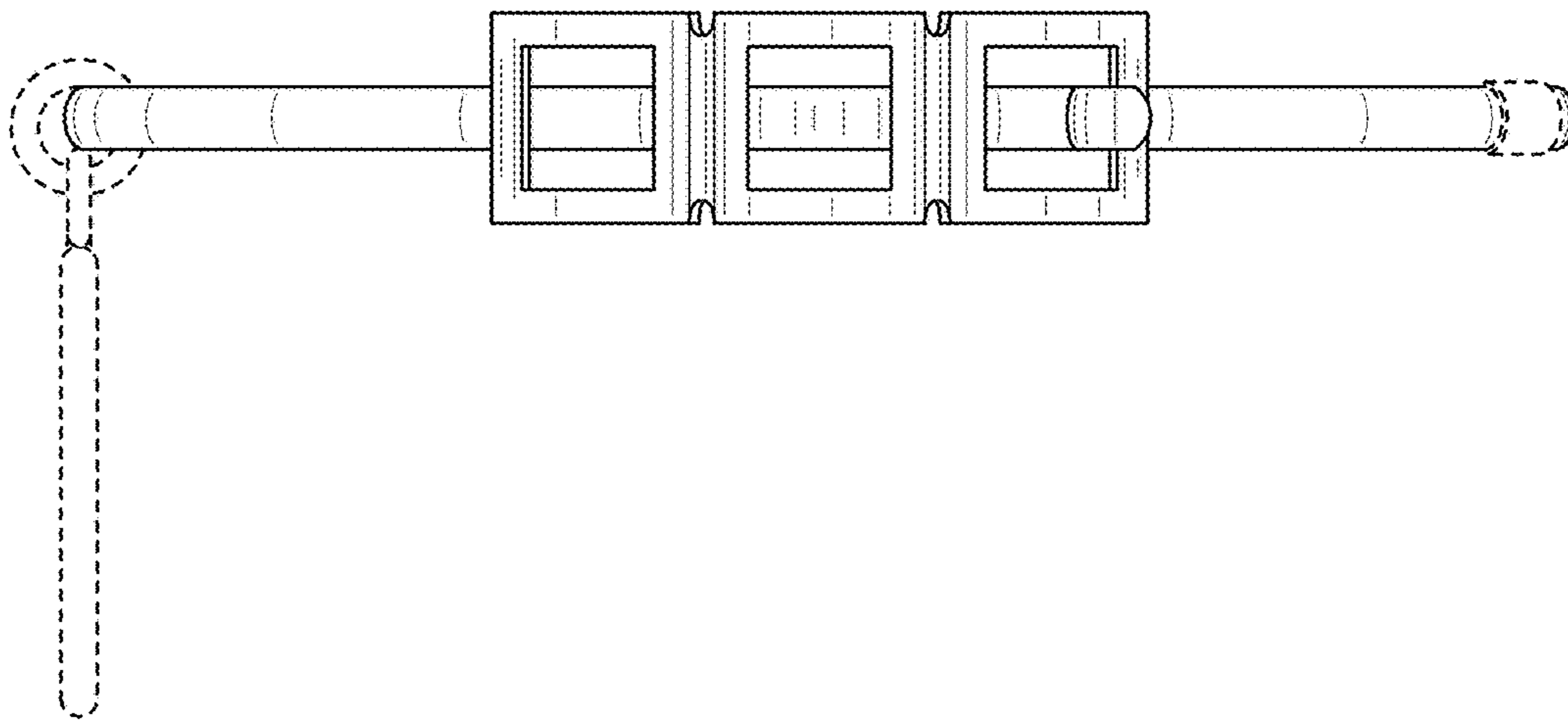


FIG. 2

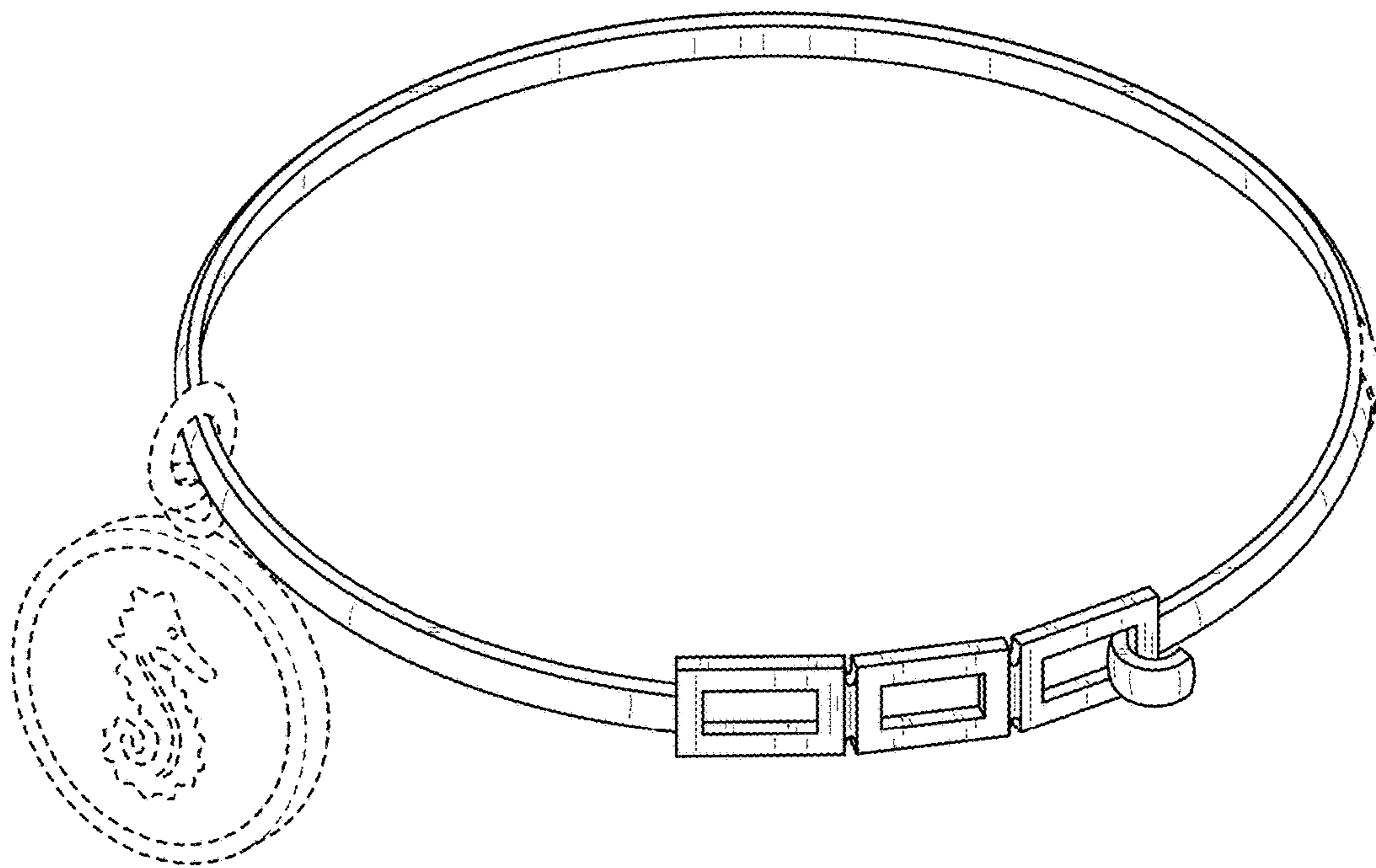


FIG. 3

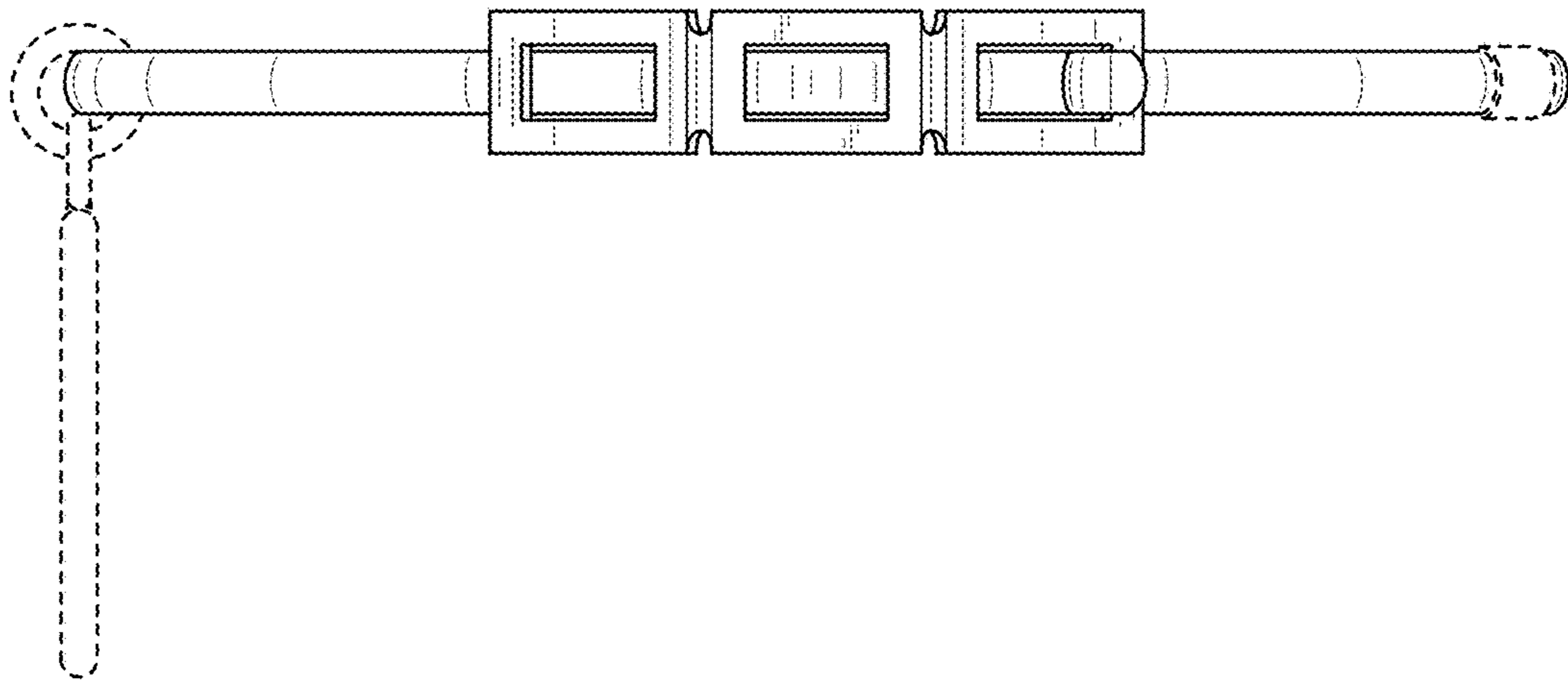


FIG. 4