



US00D818864S

(12) **United States Design Patent**
Yu

(10) **Patent No.:** **US D818,864 S**

(45) **Date of Patent:** **** May 29, 2018**

(54) **REMOVABLE SMART WATCH BRACELET**

(71) Applicant: **Liangliang Yu**, Jiangxi Province (CN)

(72) Inventor: **Liangliang Yu**, Jiangxi Province (CN)

(**) Term: **15 Years**

(21) Appl. No.: **29/573,793**

(22) Filed: **Aug. 9, 2016**

(51) **LOC (11) Cl.** **11-01**

(52) **U.S. Cl.**
USPC **D11/3**

(58) **Field of Classification Search**
USPC D11/1-13, 86, 93, 94; D10/30-32, 38,
D10/40, 68, 70, 98; D14/344
CPC A44C 5/00; A44C 5/0053; A44C 5/0061;
A44C 5/0069; A44C 5/0076; A44C 5/02;
A44C 5/022; A44C 5/025; A44C 5/027;
A44C 5/08; A44C 5/10; A44C 5/102;
A44C 5/105; A44C 5/107; A44C 13/00;
A44C 11/00; A44C 11/002; A44C 11/005;
A44C 11/007; G06F 1/163
See application file for complete search history.

D455,081 S * 4/2002 Bach D10/32
6,442,970 B1 * 9/2002 Dangelmayr A44C 5/08
59/79.3
D488,392 S * 4/2004 Tschumi D10/32
6,782,690 B2 * 8/2004 Kwan A44C 5/08
59/79.1
D533,789 S * 12/2006 Bedat D10/32
D534,437 S * 1/2007 Modolo D10/32
7,201,020 B2 * 4/2007 Frank A44C 5/14
D10/32
D581,811 S * 12/2008 Messmer D10/32
D583,682 S * 12/2008 Blank D10/32
D584,170 S * 1/2009 Morrison D10/32
D720,630 S * 1/2015 Nashimoto D10/32
D723,946 S * 3/2015 Soares D10/32
D735,069 S * 7/2015 Paradise D11/3
D736,664 S * 8/2015 Paradise D11/3
2015/0351503 A1 * 12/2015 Isaacs A44C 5/24
63/3

* cited by examiner

Primary Examiner — Cynthia Ramirez
Assistant Examiner — L. Martinez-Rivera

(57) **CLAIM**

The ornamental design for a removable smart watch bracelet, as shown and described.

DESCRIPTION

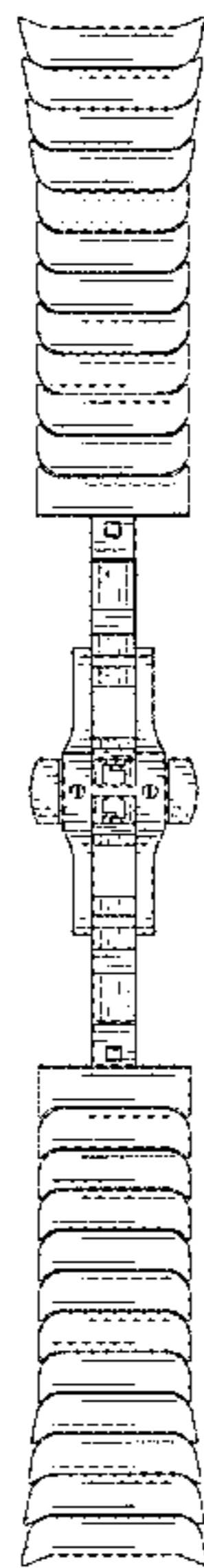
FIG. 1 is a front elevational view of a removable smart watch bracelet showing my new design;
FIG. 2 is a rear elevational view thereof;
FIG. 3 is a partial enlarged view thereof, taken from FIG. 2;
FIG. 4 is a left side view thereof;
FIG. 5 is a right side view thereof;
FIG. 6 is a top plan view thereof;
FIG. 7 is a bottom plan view thereof;
FIG. 8 is a perspective view thereof;
FIG. 9 is a second perspective view thereof; and,
FIG. 10 is a third perspective view in folded state.

1 Claim, 5 Drawing Sheets

(56) **References Cited**

U.S. PATENT DOCUMENTS

3,705,490 A * 12/1972 Ripley A44C 5/08
59/79.1
3,786,629 A * 1/1974 Rieth A44C 5/08
59/79.1
D244,671 S * 6/1977 Cozza D10/32
D251,829 S * 5/1979 Sulek D10/32
D284,356 S * 6/1986 Porsche D10/32
D323,994 S * 2/1992 Tanikawa D10/126
D381,585 S * 7/1997 Gogniat D10/30
D408,301 S * 4/1999 Porsche D10/128
D424,952 S * 5/2000 Porsche D10/32
D441,666 S * 5/2001 Pequignet D10/32
D452,171 S * 12/2001 Bodino D10/32



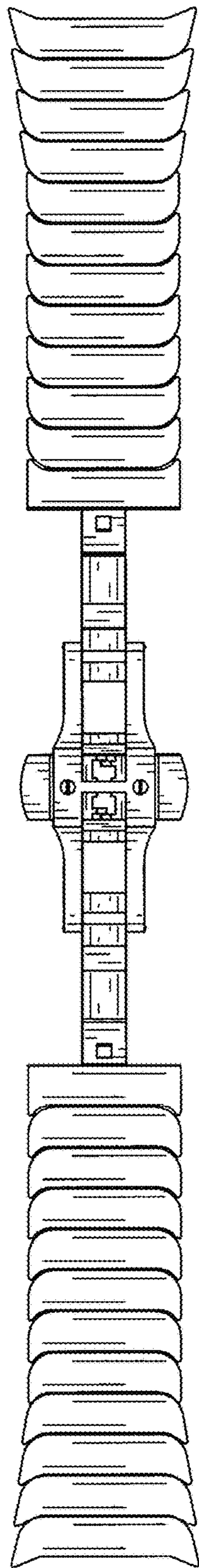


FIG. 1

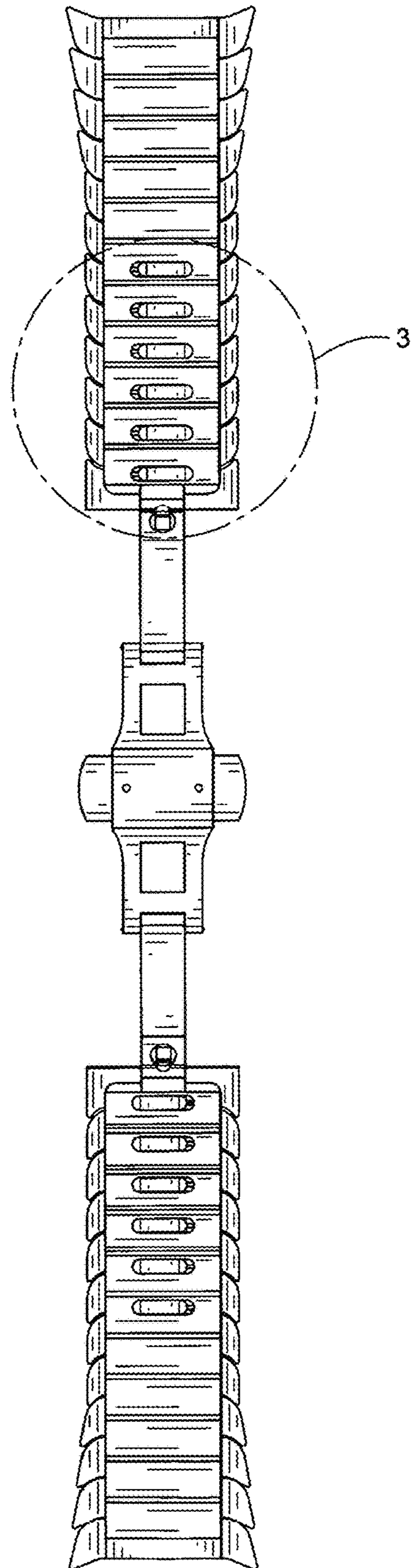


FIG. 2

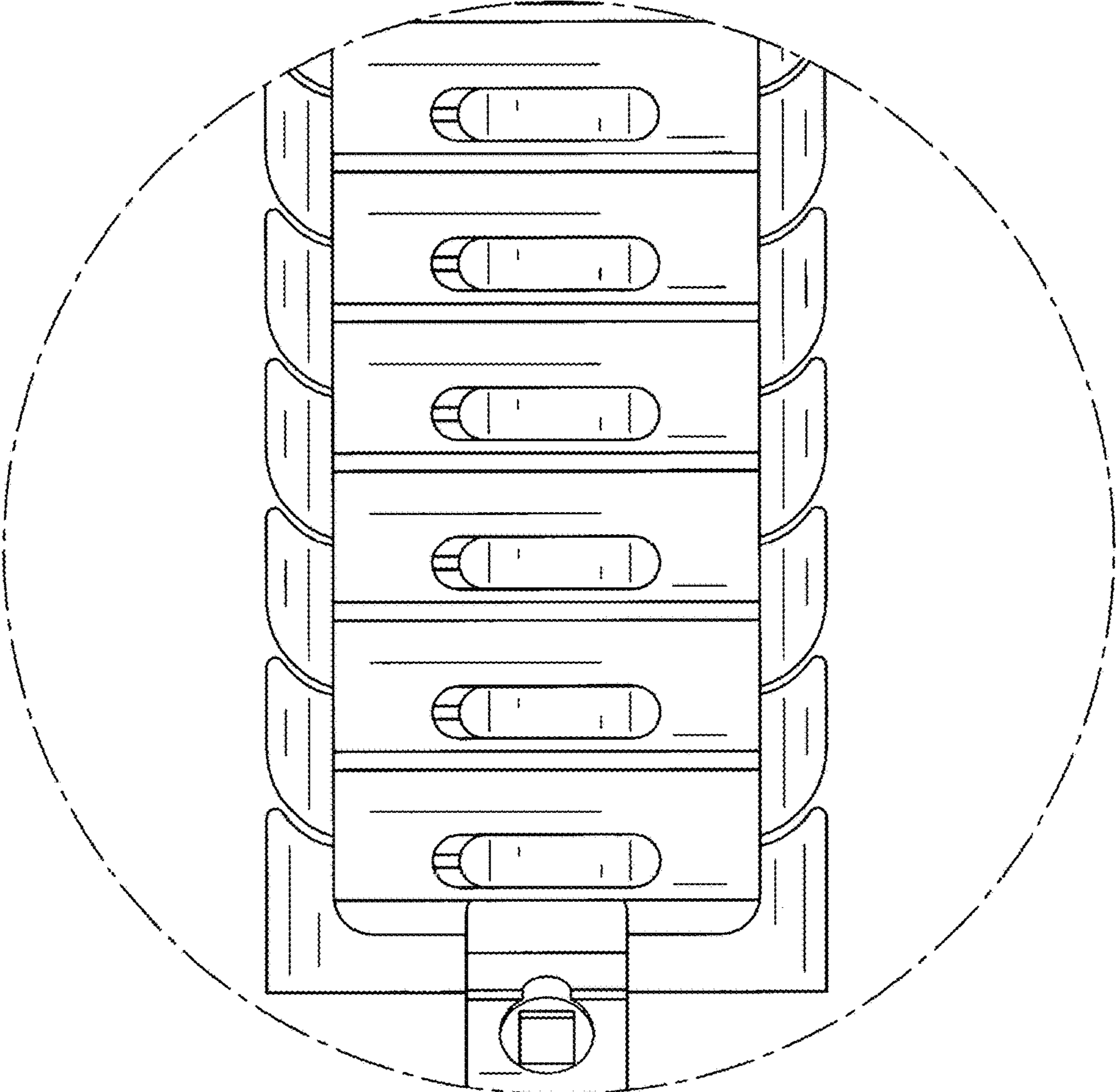


FIG. 3

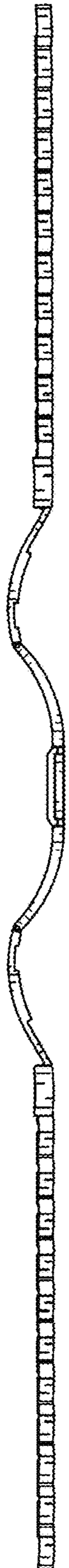


FIG. 4

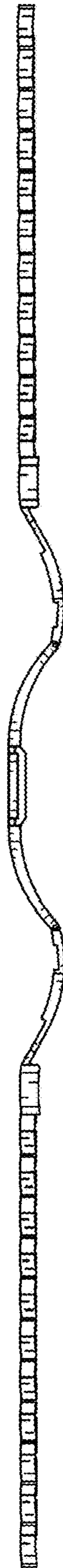


FIG. 5



FIG. 6



FIG. 7

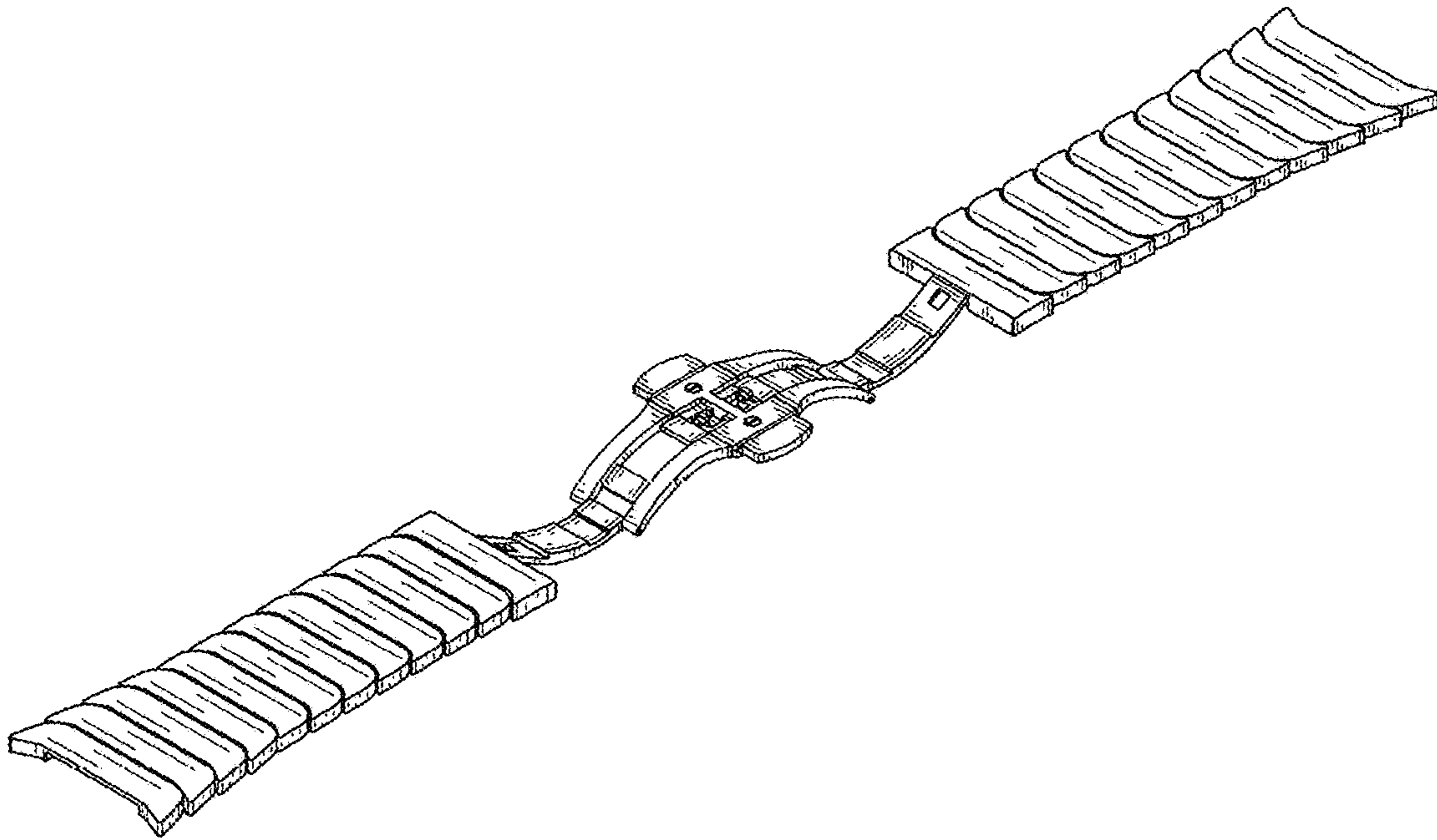


FIG. 8

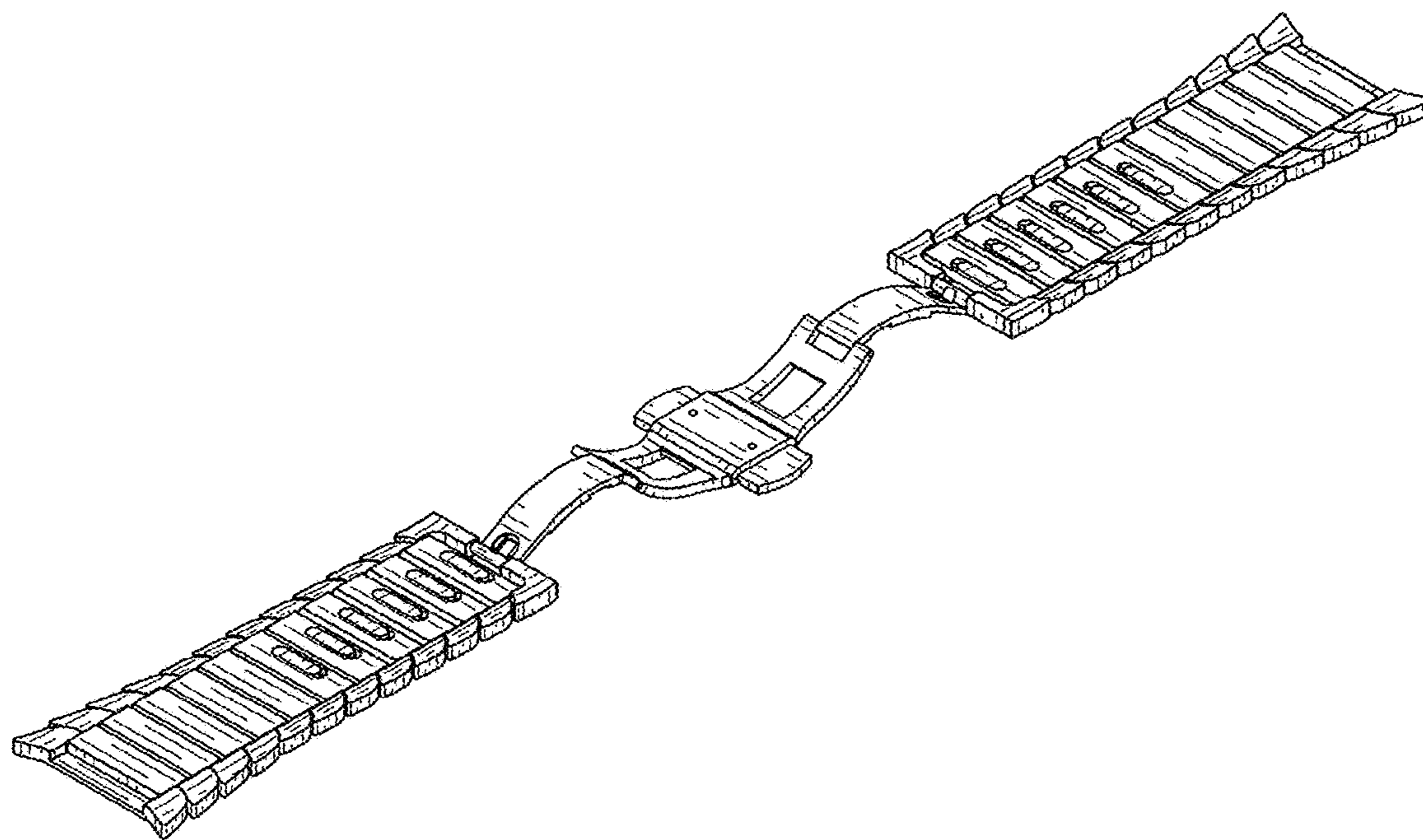


FIG. 9

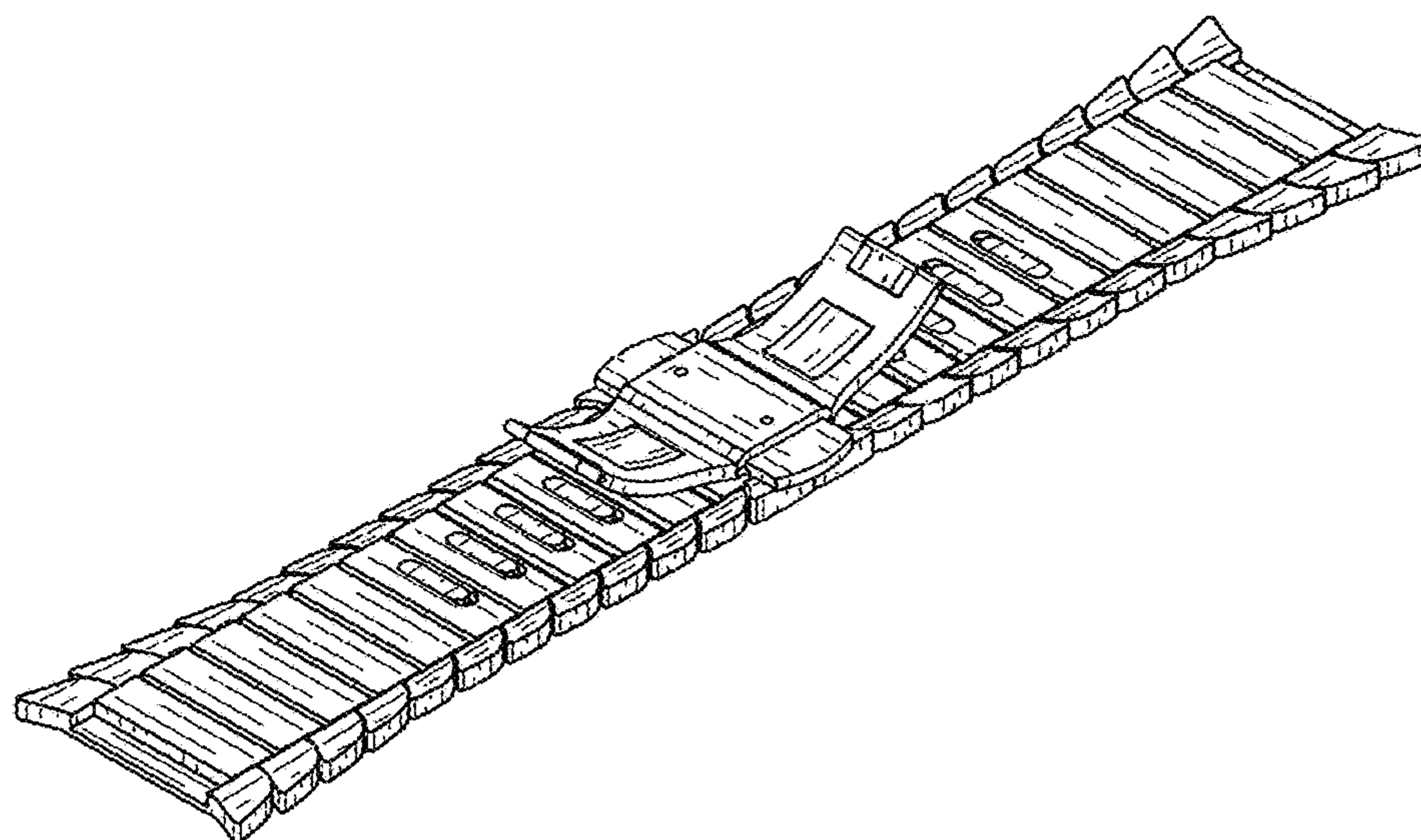


FIG. 10