



US00D818862S

(12) **United States Design Patent**
Ruffieux

(10) **Patent No.:** **US D818,862 S**
(45) **Date of Patent:** **** May 29, 2018**

- (54) **WATCH DIAL**
- (71) Applicant: **Montblanc-Simplo GmbH**, Hamburg (DE)
- (72) Inventor: **Leila Ruffieux**, Neuchatel (CH)
- (73) Assignee: **Montblanc-Simplo GmbH**, Hamburg (DE)
- (**) Term: **15 Years**
- (21) Appl. No.: **29/587,748**
- (22) Filed: **Dec. 15, 2016**
- (51) **LOC (11) Cl.** **10-07**
- (52) **U.S. Cl.**
USPC **D10/126**
- (58) **Field of Classification Search**
USPC D10/14, 30-39, 65, 70, 122-132;
D14/344, 138 R
CPC ... G04F 1/00; G04F 1/06; G04F 1/063; G04F 7/06; G04F 7/0861; G04F 7/0871; G04F 7/08; G04F 7/0804; G04F 7/0842; G04F 7/0876; G04B 19/00; G04B 19/02; G04B 19/04; G04B 19/06; G04B 19/08; G04B 19/26; G04B 19/24; G04B 39/00; G04B 39/002; G04B 39/004; G04B 39/006; A01G 25/165; B05B 12/02
See application file for complete search history.

D559,131 S *	1/2008	Laucella	D10/39
D625,213 S *	10/2010	Vaptzarof	D10/126
D685,279 S *	7/2013	de Haas	D10/126
D708,072 S *	7/2014	Oes	D10/32
D710,729 S *	8/2014	Delhotal	D10/124
D727,754 S *	4/2015	Laucella	D10/39
D734,177 S *	7/2015	Kamilindi	D10/126
D758,210 S *	6/2016	Guillaume	D10/126
D762,127 S *	7/2016	Jeannet	D10/126
D768,019 S *	10/2016	Lasserre	D10/126
D791,003 S *	7/2017	Ruffieux	D10/126
D792,246 S *	7/2017	Ruffieux	D10/30
D792,261 S *	7/2017	Antifora	D10/126

* cited by examiner

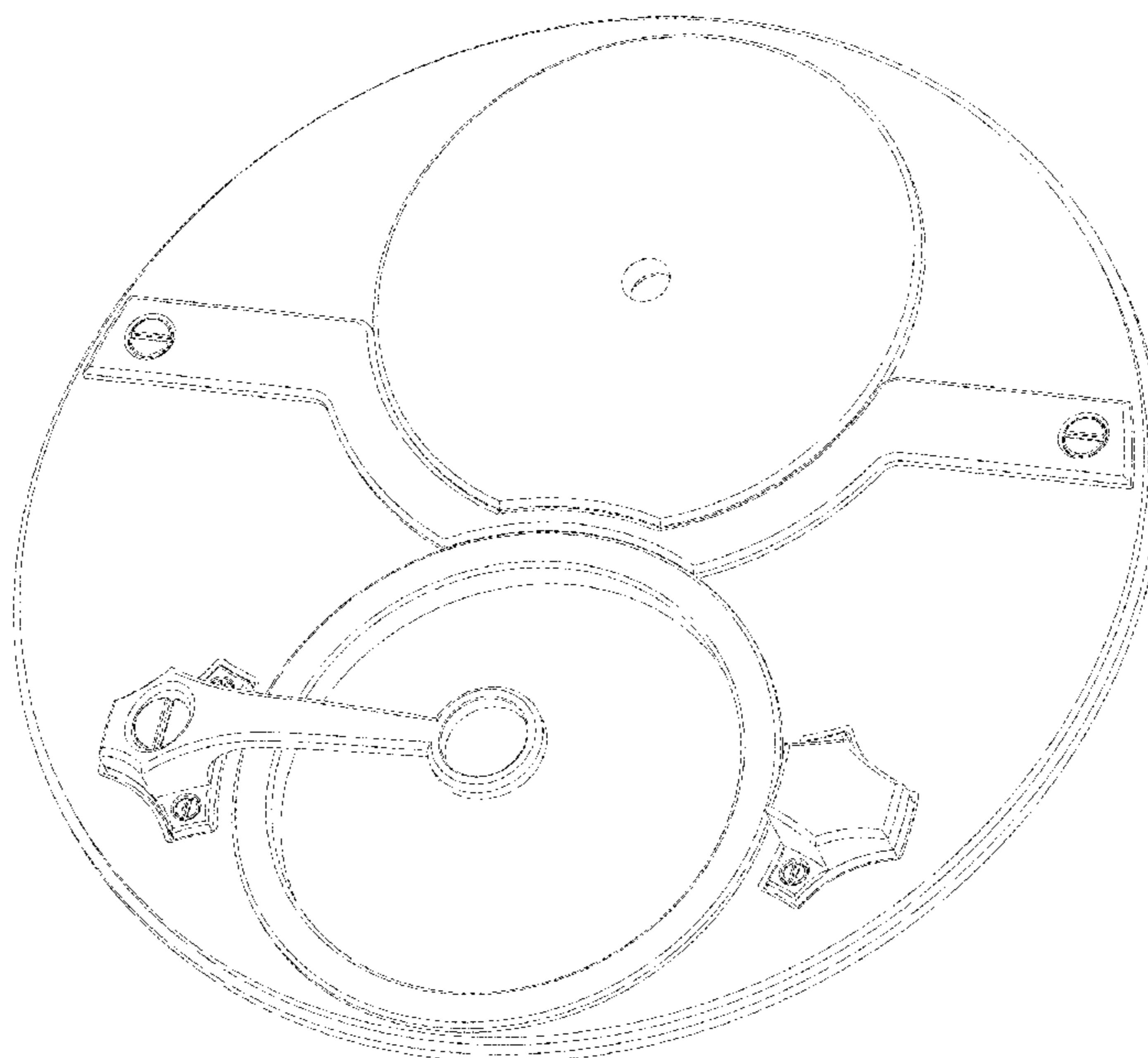
Primary Examiner — Sandra S Snapp
Assistant Examiner — Katherine Glennon
(74) *Attorney, Agent, or Firm* — Taft Stettinius & Hollister LLP

- (56) **References Cited**
U.S. PATENT DOCUMENTS
D14,919 S * 3/1884 Parragaux D10/129
D339,751 S * 9/1993 Besson D10/129
6,826,122 B2 * 11/2004 Zaugg G04B 19/23
368/28

(57) **CLAIM**
The ornamental design for a watch dial, as shown and described.

DESCRIPTION
FIG. 1 is a top plan view of a watch dial showing my new design;
FIG. 2 is a bottom plan view thereof;
FIG. 3 is a right side elevational view thereof;
FIG. 4 is a left side elevational view thereof;
FIG. 5 is a front elevational view thereof;
FIG. 6 is a rear elevational view thereof; and,
FIG. 7 is a right, top perspective view thereof.
The broken lines in the drawing figures depict unclaimed subject matter that form no part of the claimed design.

1 Claim, 7 Drawing Sheets



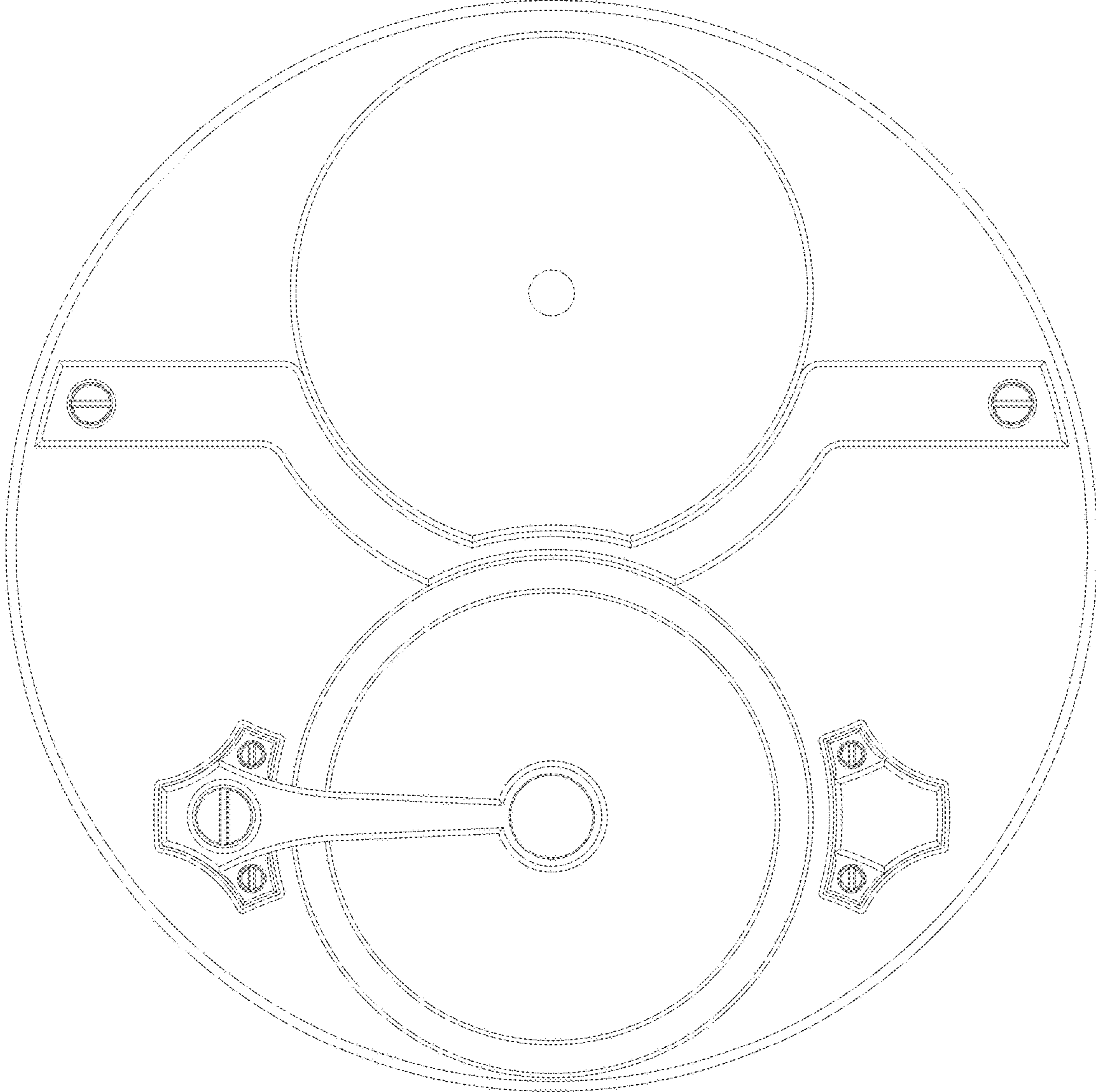


Fig. 1

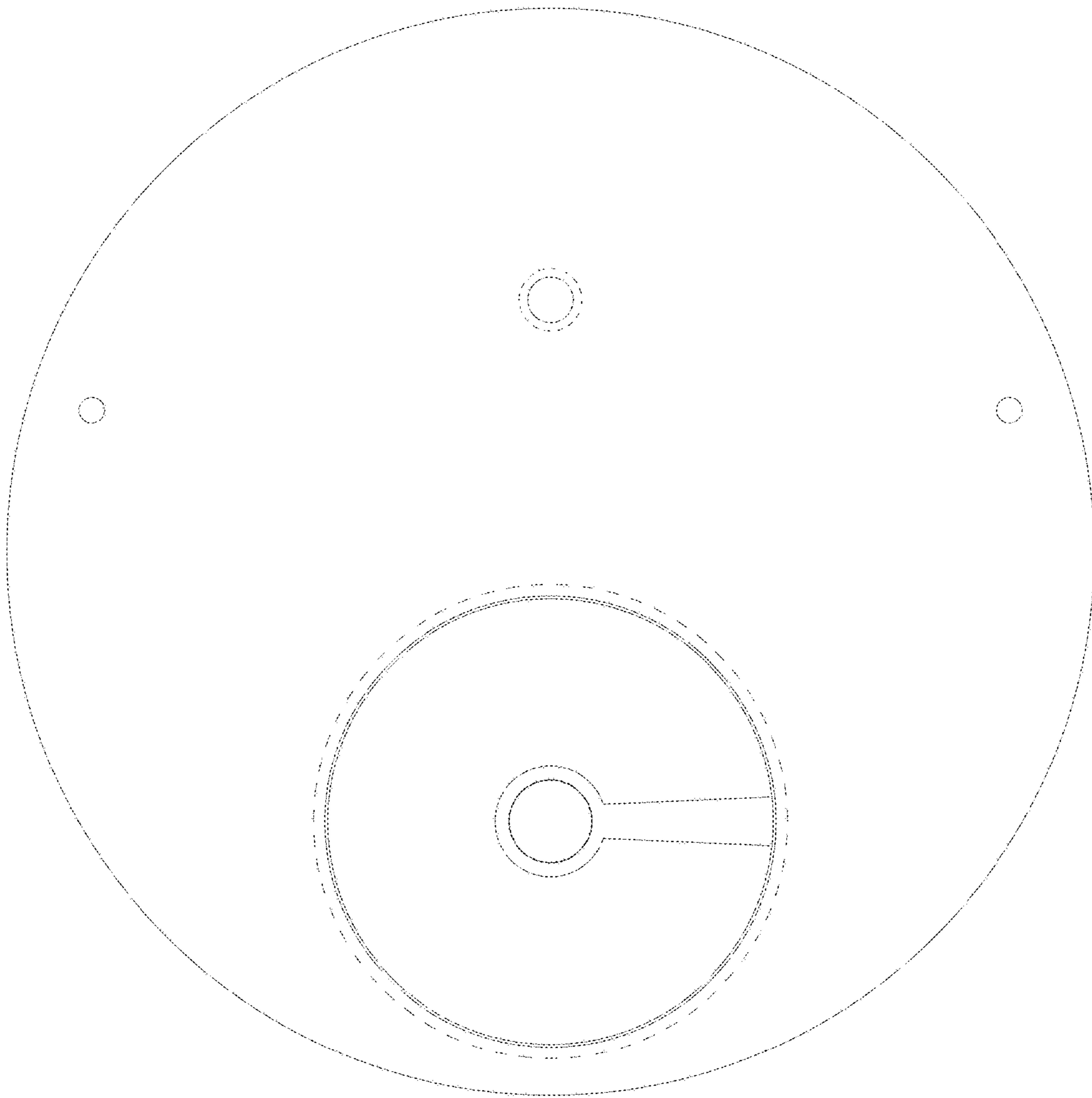


Fig. 2

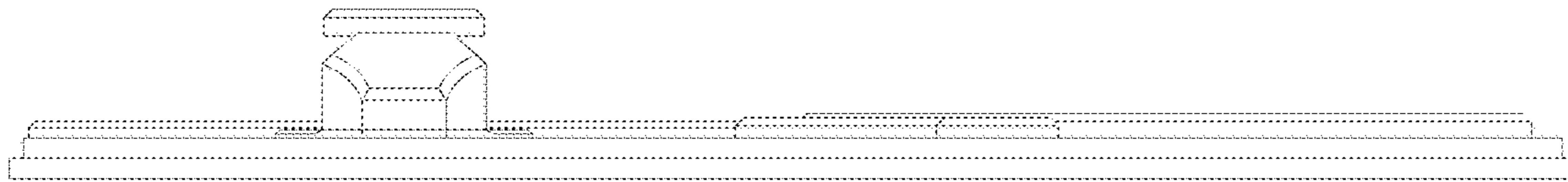


Fig. 3

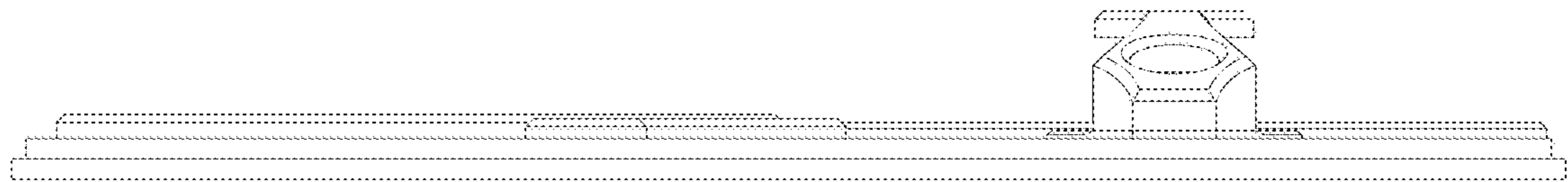


Fig. 4

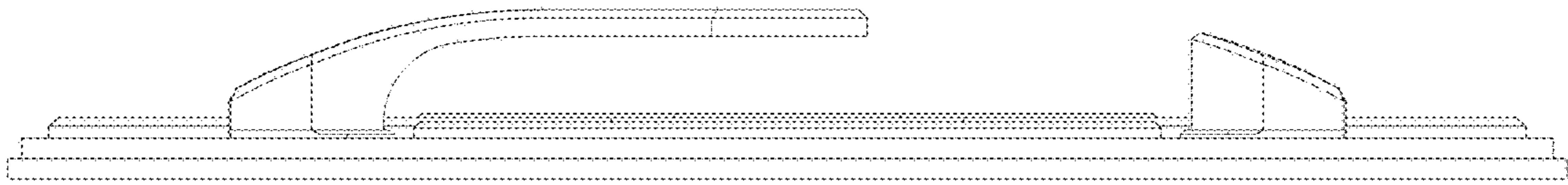


Fig. 5

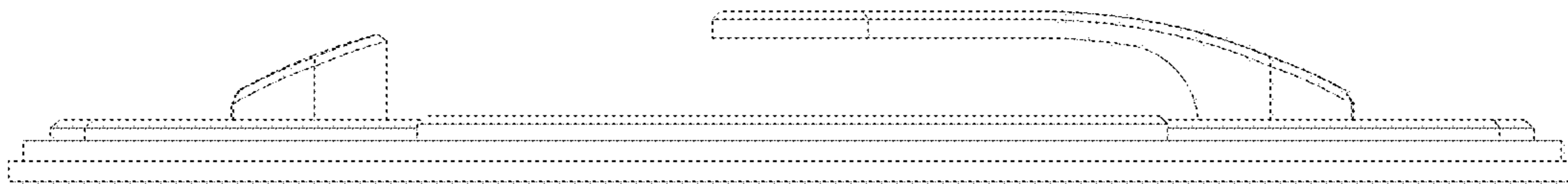


Fig. 6

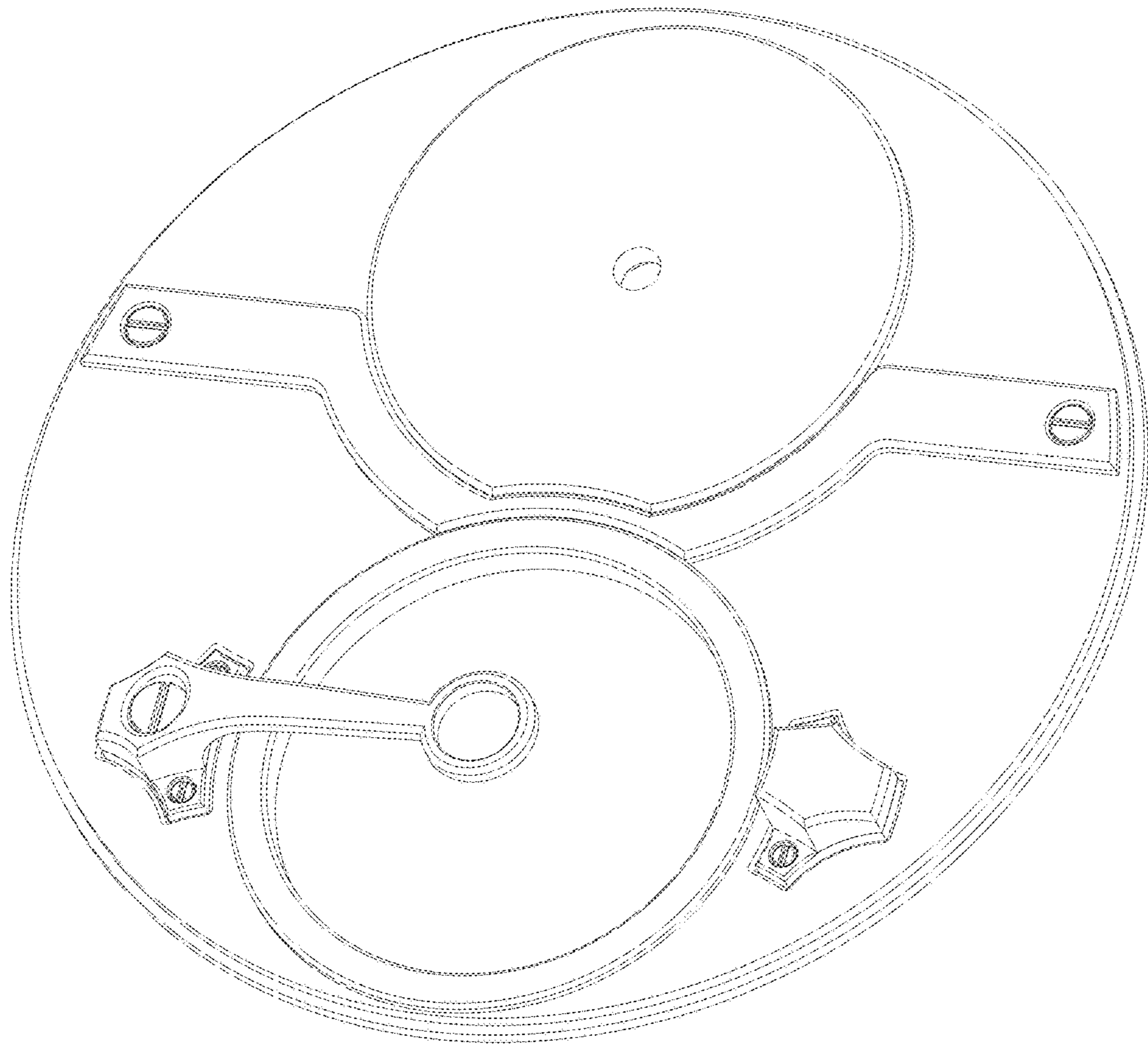


Fig. 7