



US00D818861S

(12) **United States Design Patent** (10) **Patent No.:** **US D818,861 S**
Gowan (45) **Date of Patent:** **** May 29, 2018**

(54) **CAN COUNTER**

(71) Applicant: **Gord Gowan**, Vars (CA)

(72) Inventor: **Gord Gowan**, Vars (CA)

(**) Term: **15 Years**

(21) Appl. No.: **29/592,040**

(22) Filed: **Jan. 26, 2017**

(51) **LOC (11) Cl.** **10-04**

(52) **U.S. Cl.**
USPC **D10/97**

(58) **Field of Classification Search**
USPC D10/97
CPC G06M 7/00; G06M 7/02; G06M 7/04;
G06M 9/00; G06M 11/00; G06M 1/02
See application file for complete search history.

(56) **References Cited**

U.S. PATENT DOCUMENTS

4,472,819 A * 9/1984 Constantino G07F 7/0609
194/212

* cited by examiner

Primary Examiner — Antoine Duval Davis

(74) *Attorney, Agent, or Firm* — Teitelbaum & MacLean;
Neil Teitelbaum

(57) **CLAIM**

The ornamental design for a can counter, substantially as shown and described.

DESCRIPTION

FIG. 1 is a perspective view of a first variant of the “can counter”;

FIG. 2 is a front elevation view thereof;

FIG. 3 is a rear elevation view thereof;

FIG. 4 is a right-side elevation view thereof;

FIG. 5 is a left-side elevation view thereof;

FIG. 6 is a top plan view thereof;

FIG. 7 is a bottom plan view thereof;

FIG. 8 is a perspective view of a second variant of the “can counter”;

FIG. 9 is a front elevation thereof;

FIG. 10 is a rear elevation view thereof;

FIG. 11 is a right-side elevation view thereof;

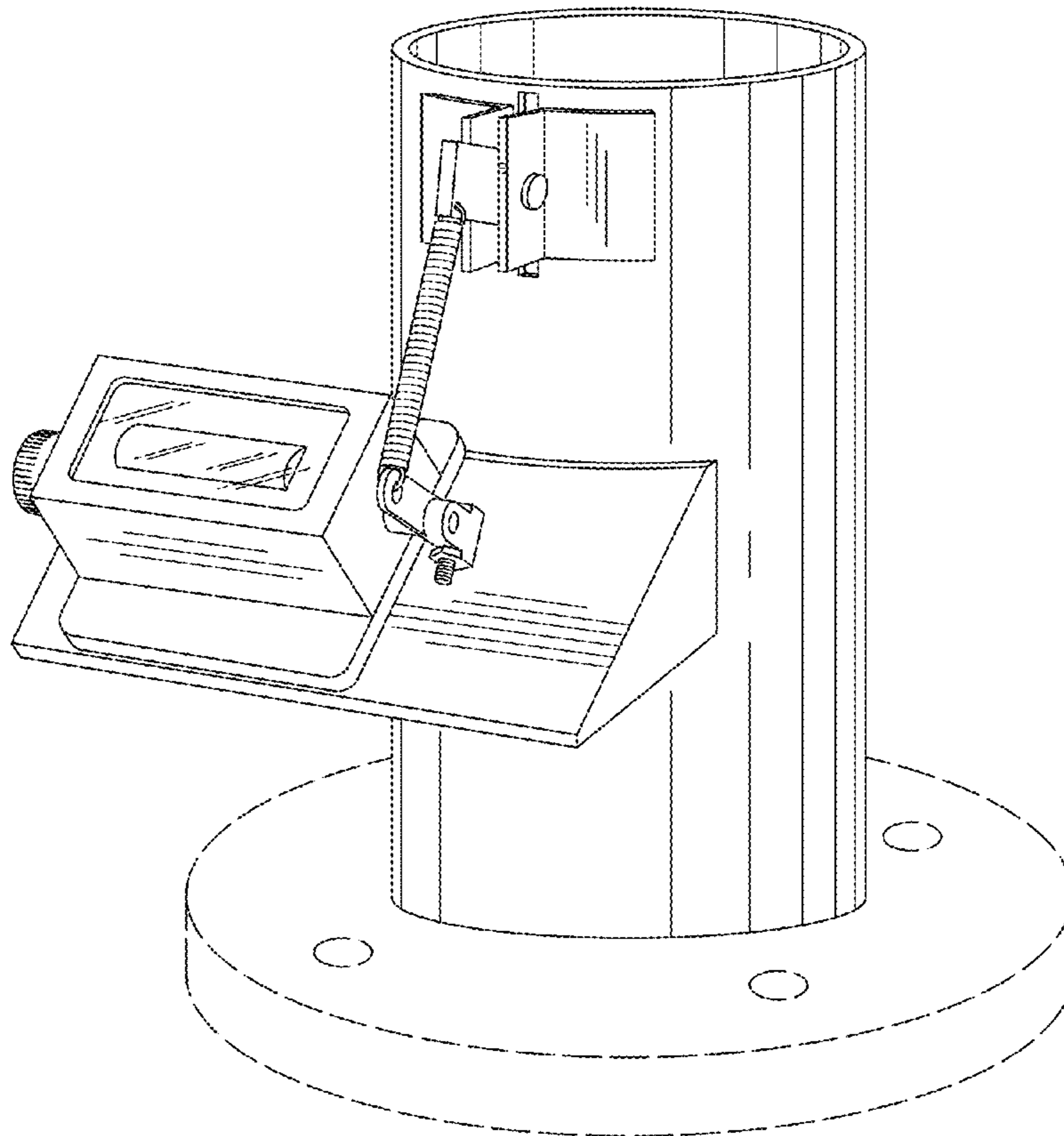
FIG. 12 is a left-side elevation view thereof;

FIG. 13 is a top plan view thereof; and,

FIG. 14 is a bottom plan view thereof.

The broken line portions are included to show unclaimed subject matter only, and form no part of the claimed design.

1 Claim, 14 Drawing Sheets



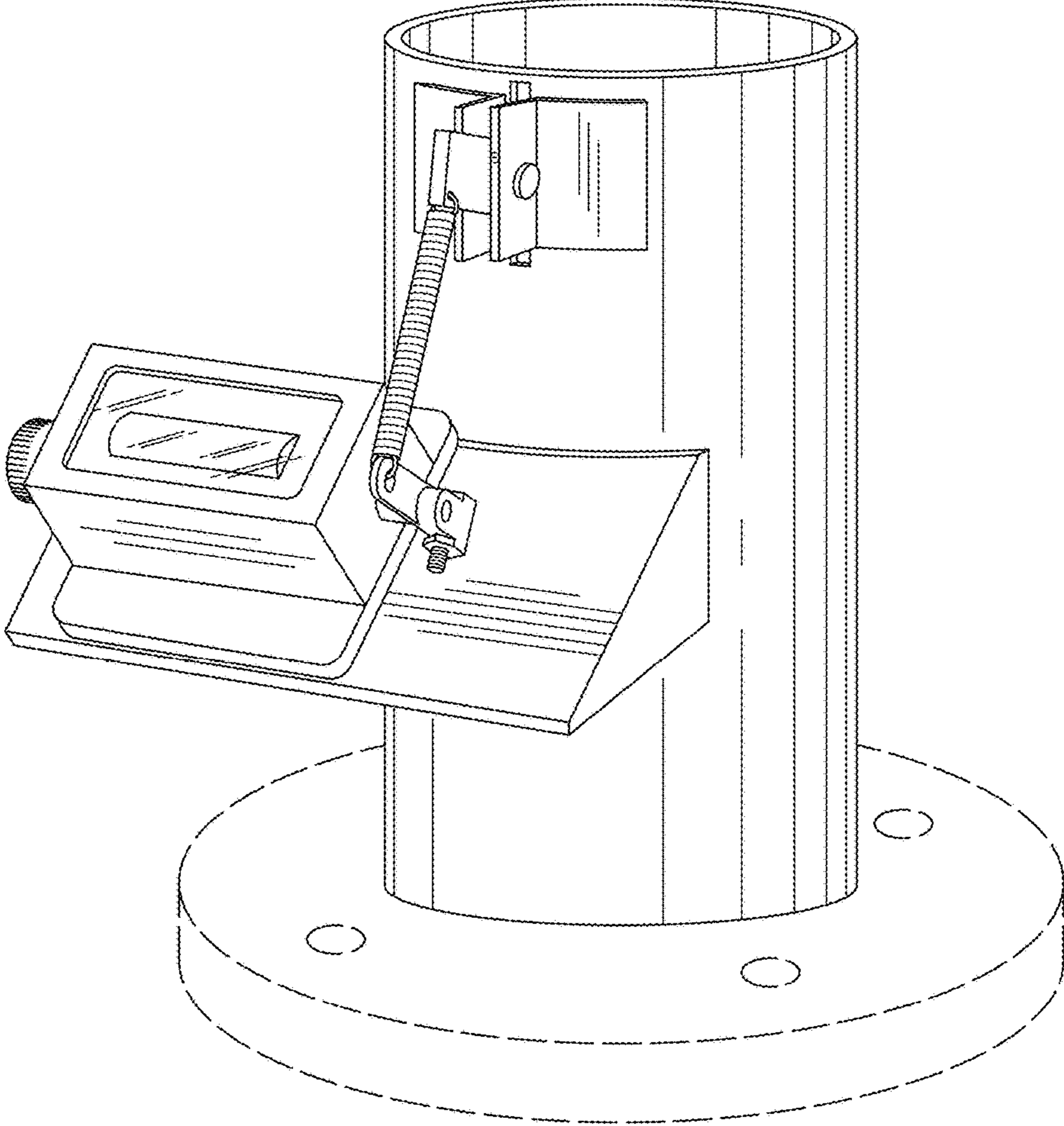


FIG. 1

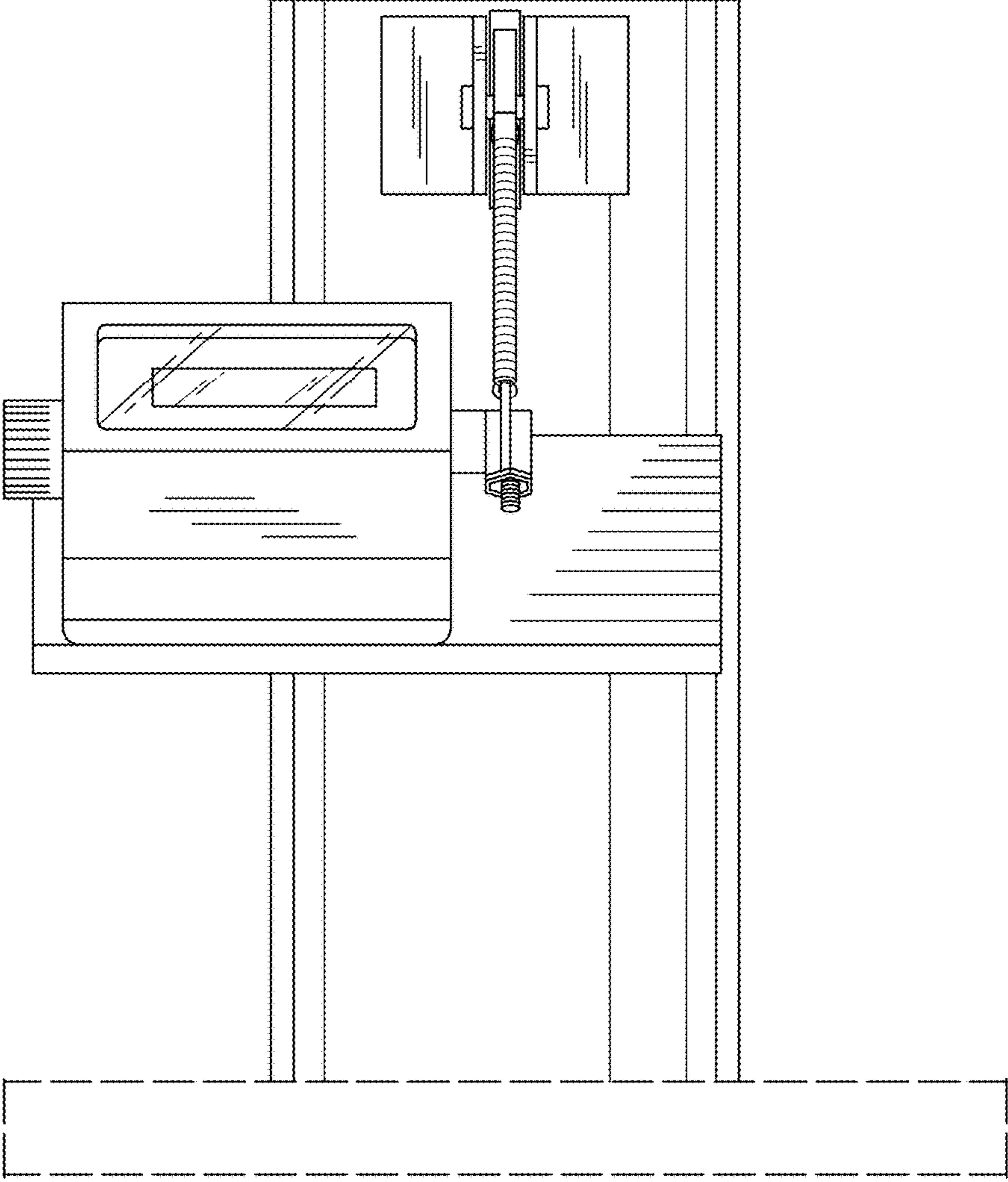


FIG. 2

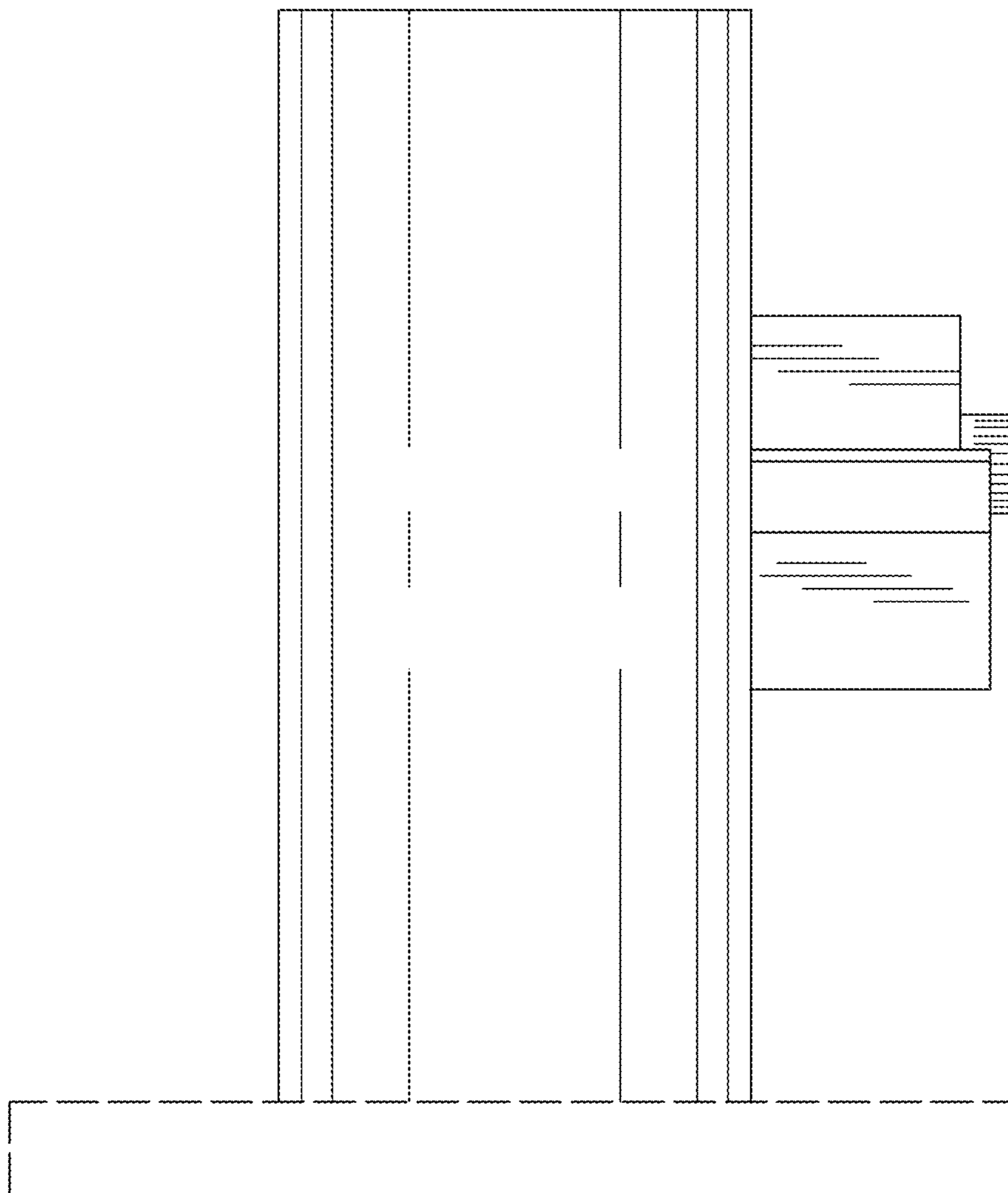


FIG. 3

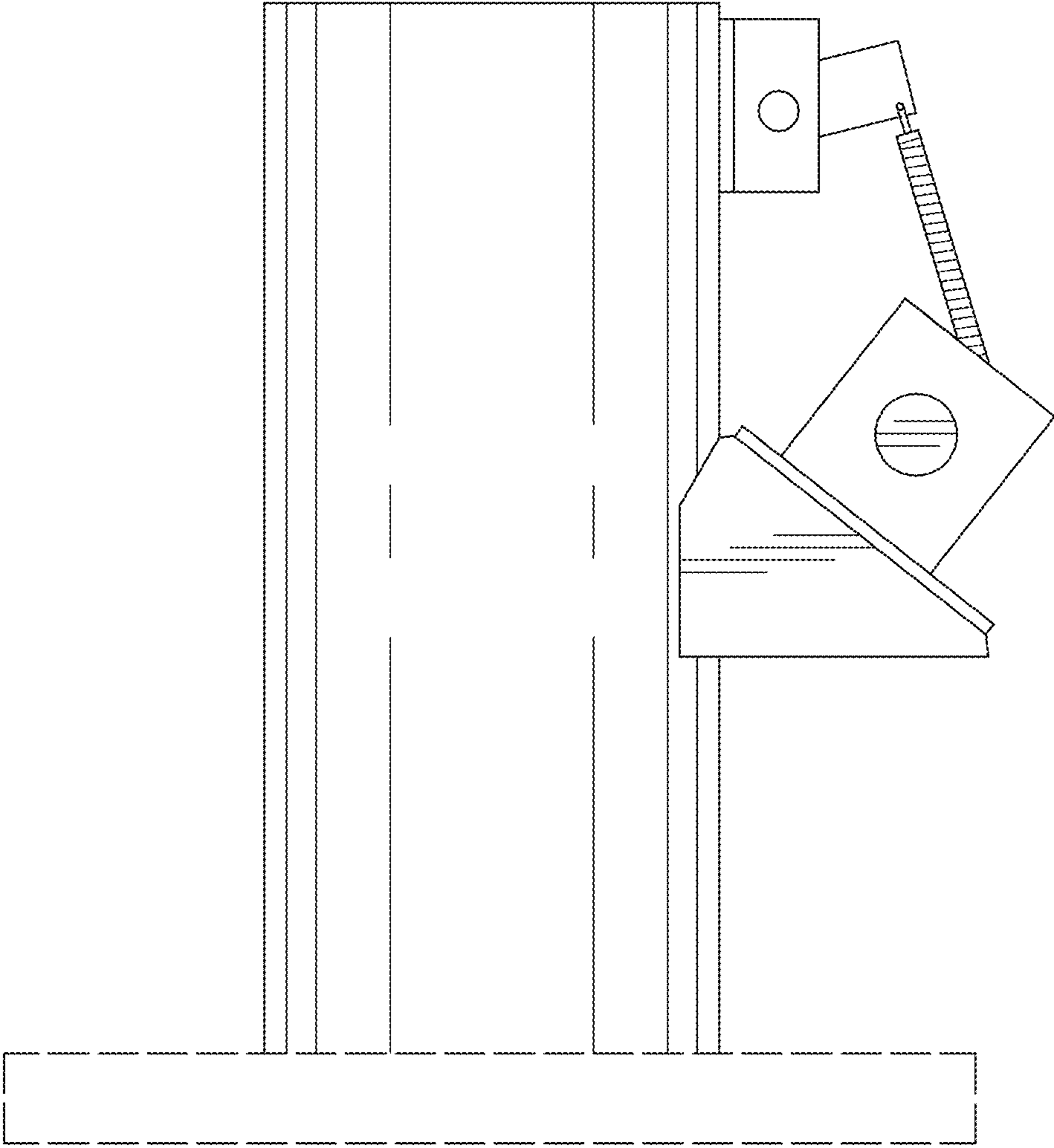


FIG. 4

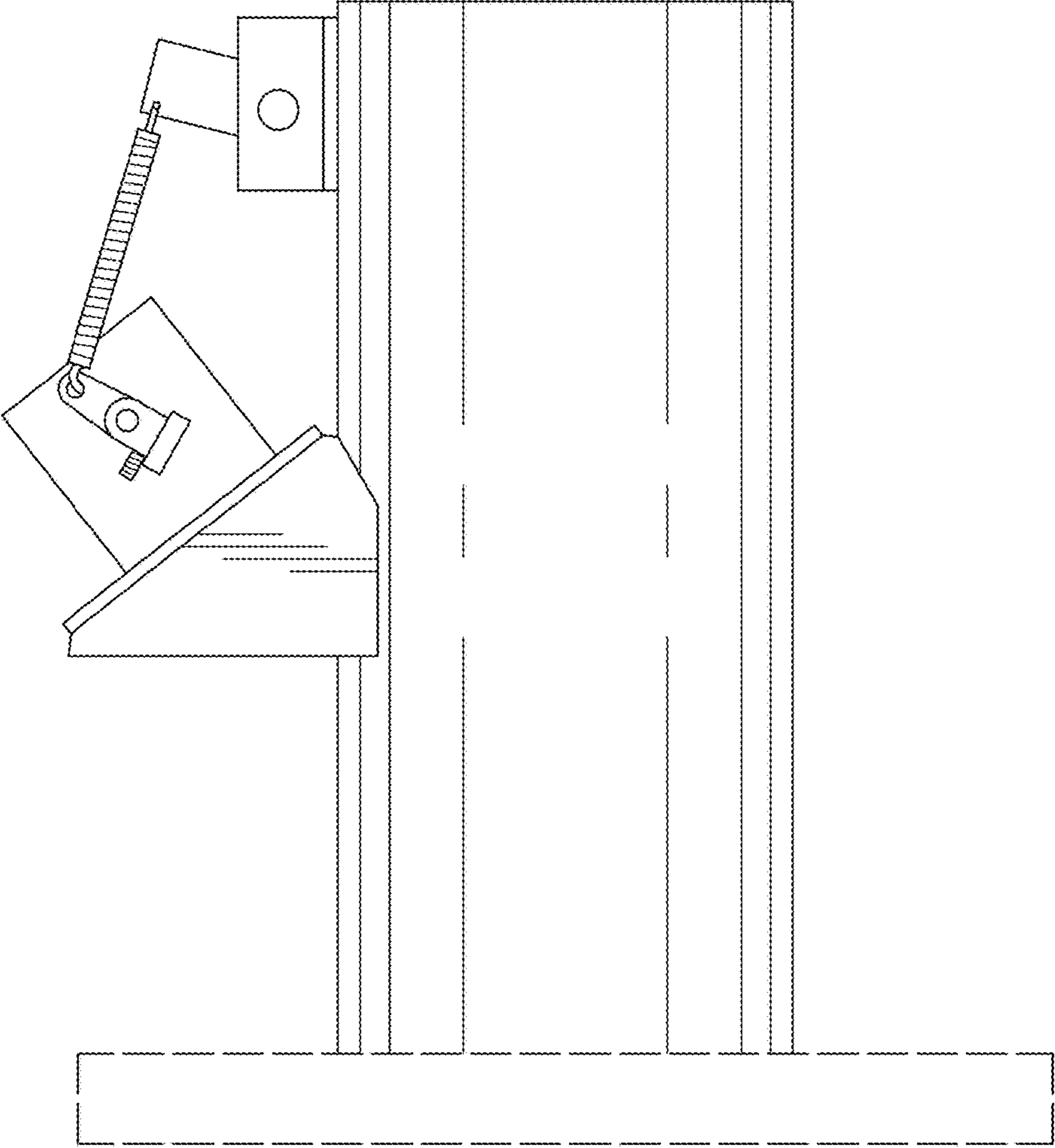


FIG. 5

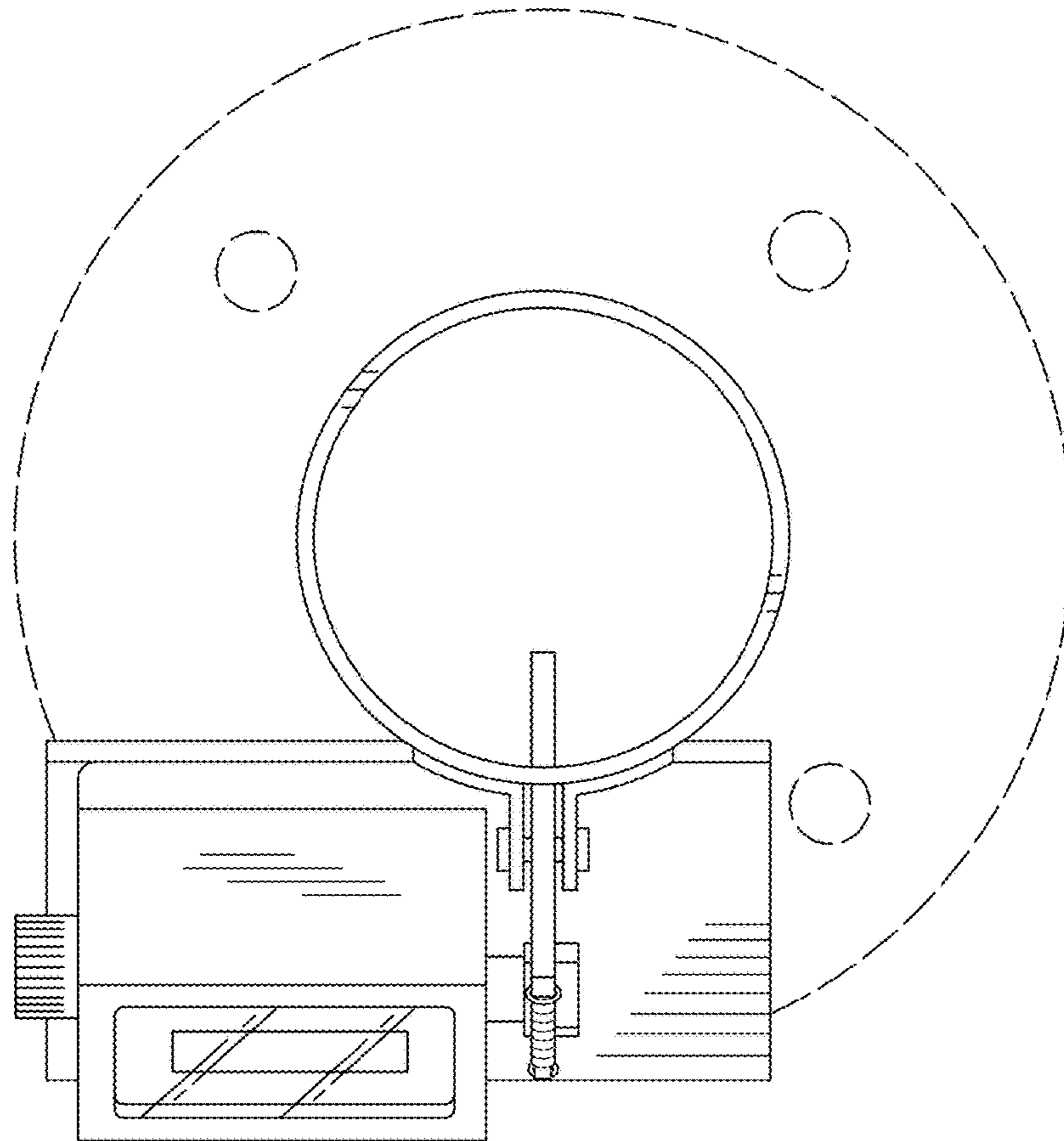


FIG. 6

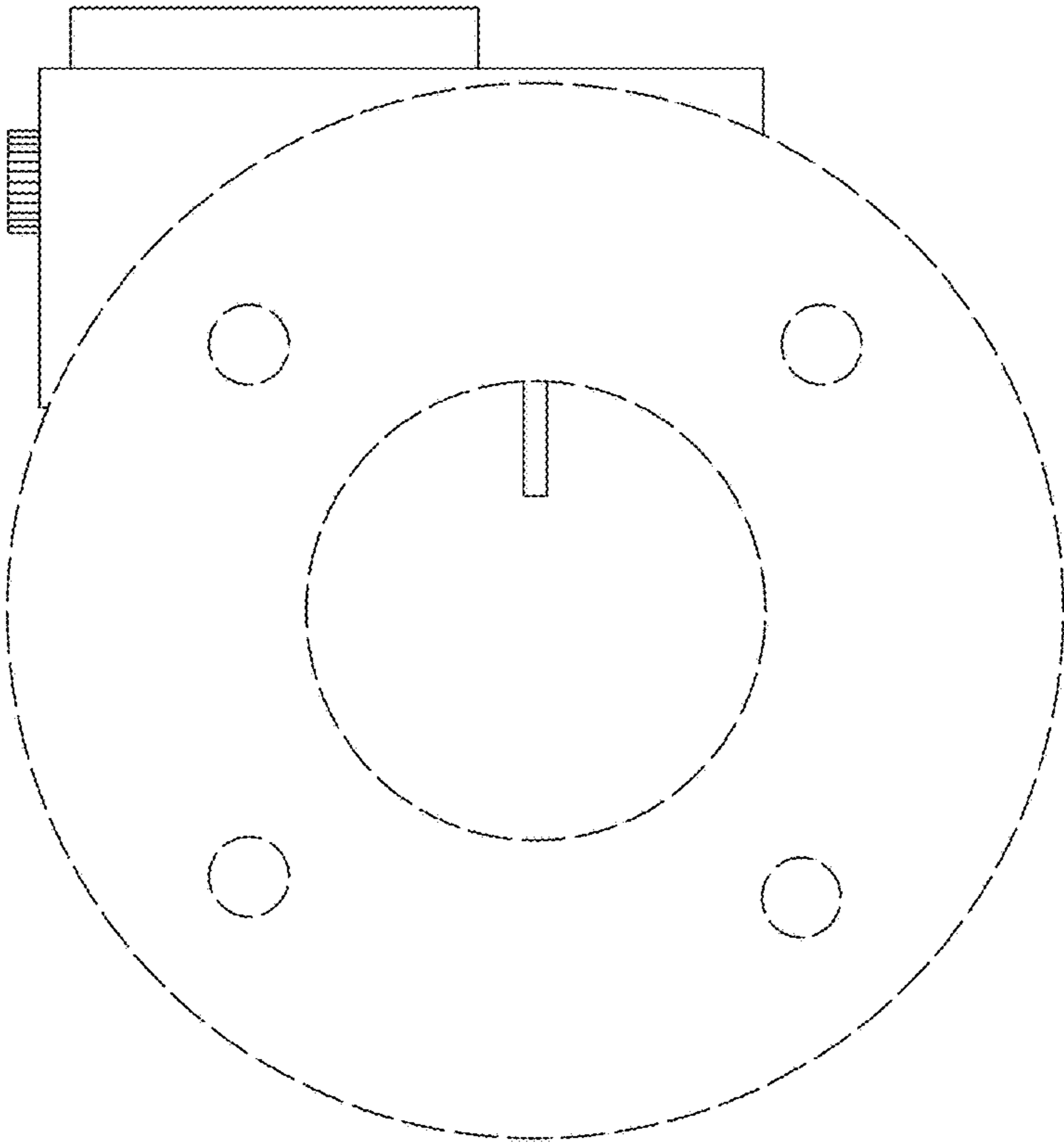


FIG. 7

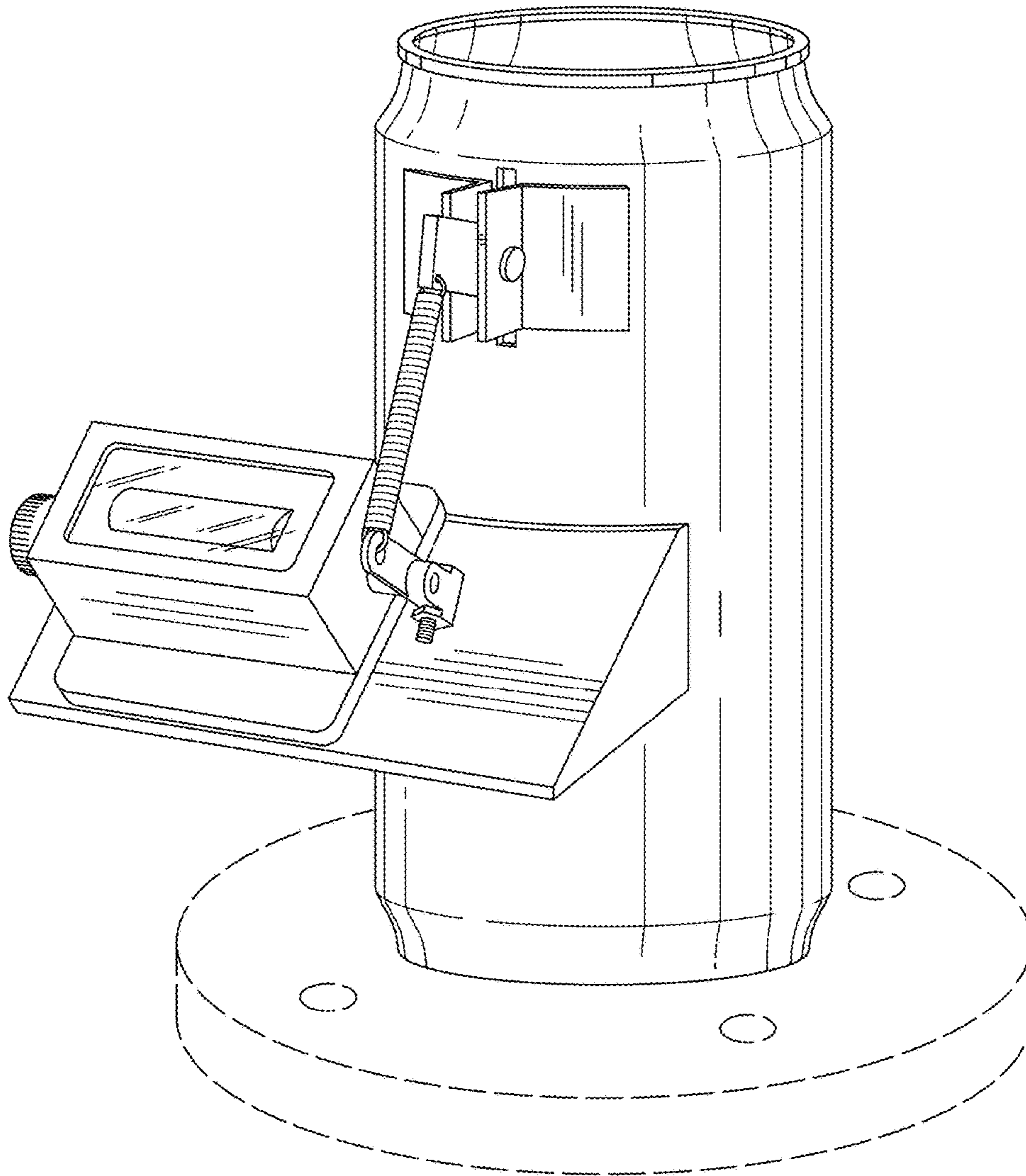


FIG. 8

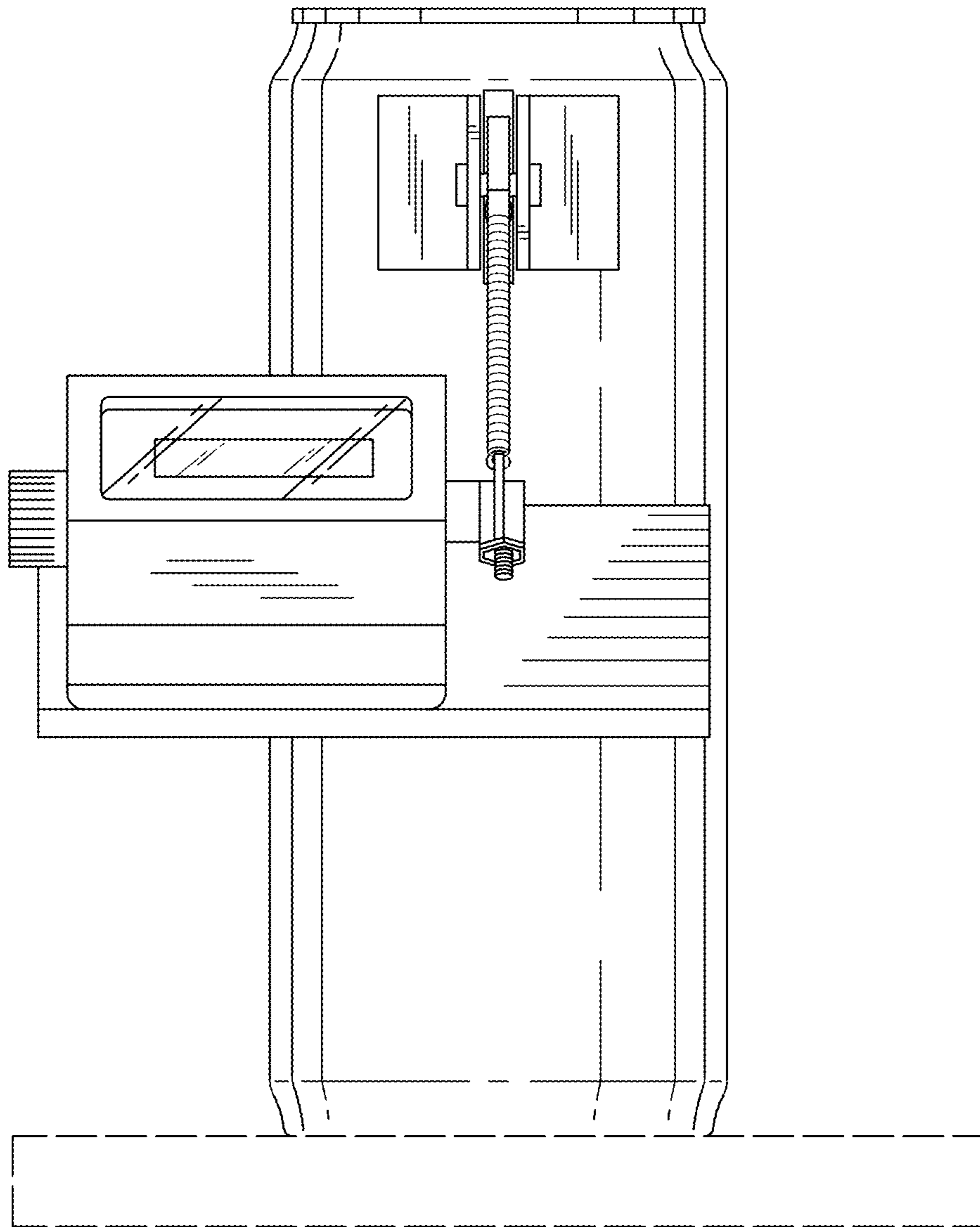


FIG. 9

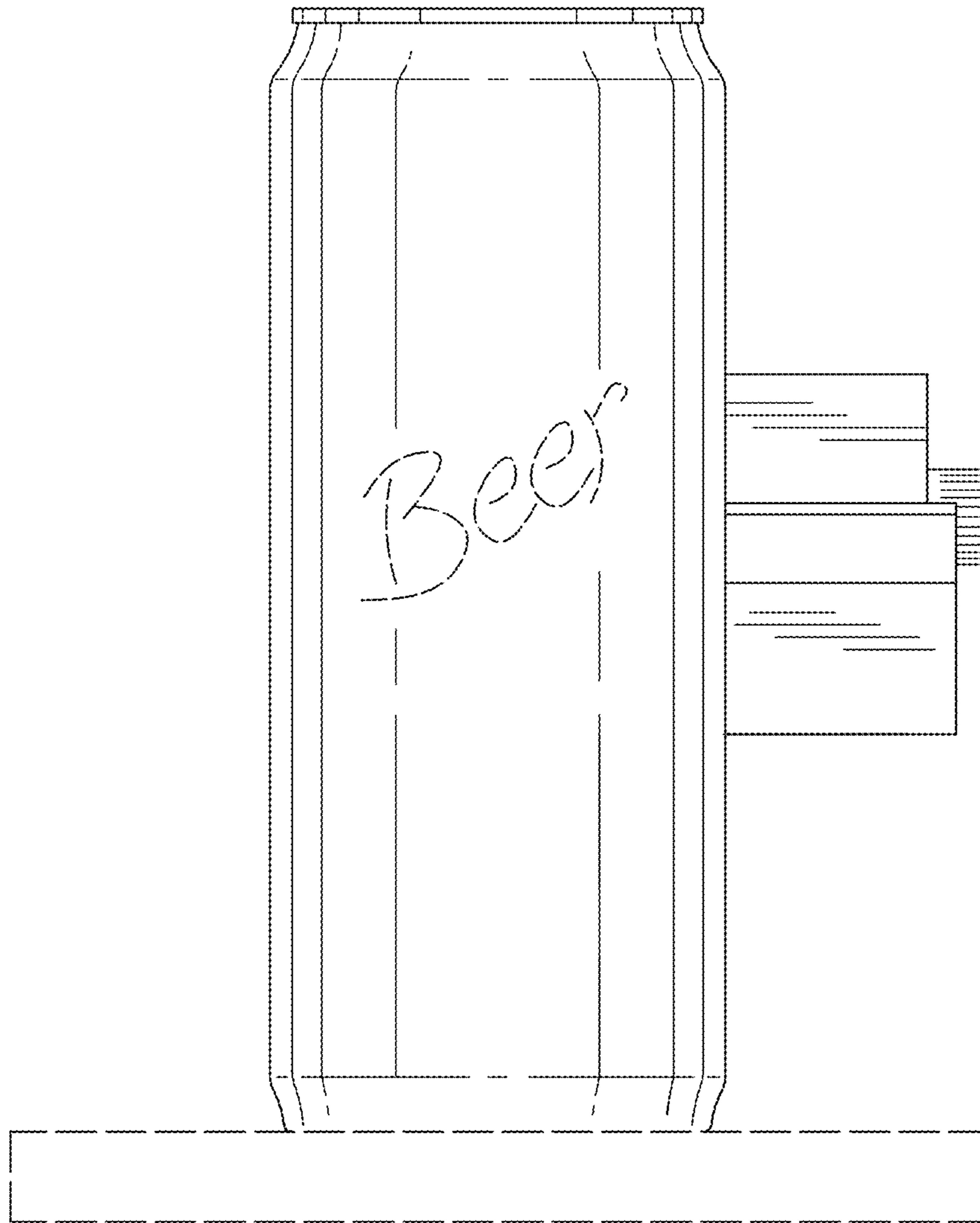


FIG. 10

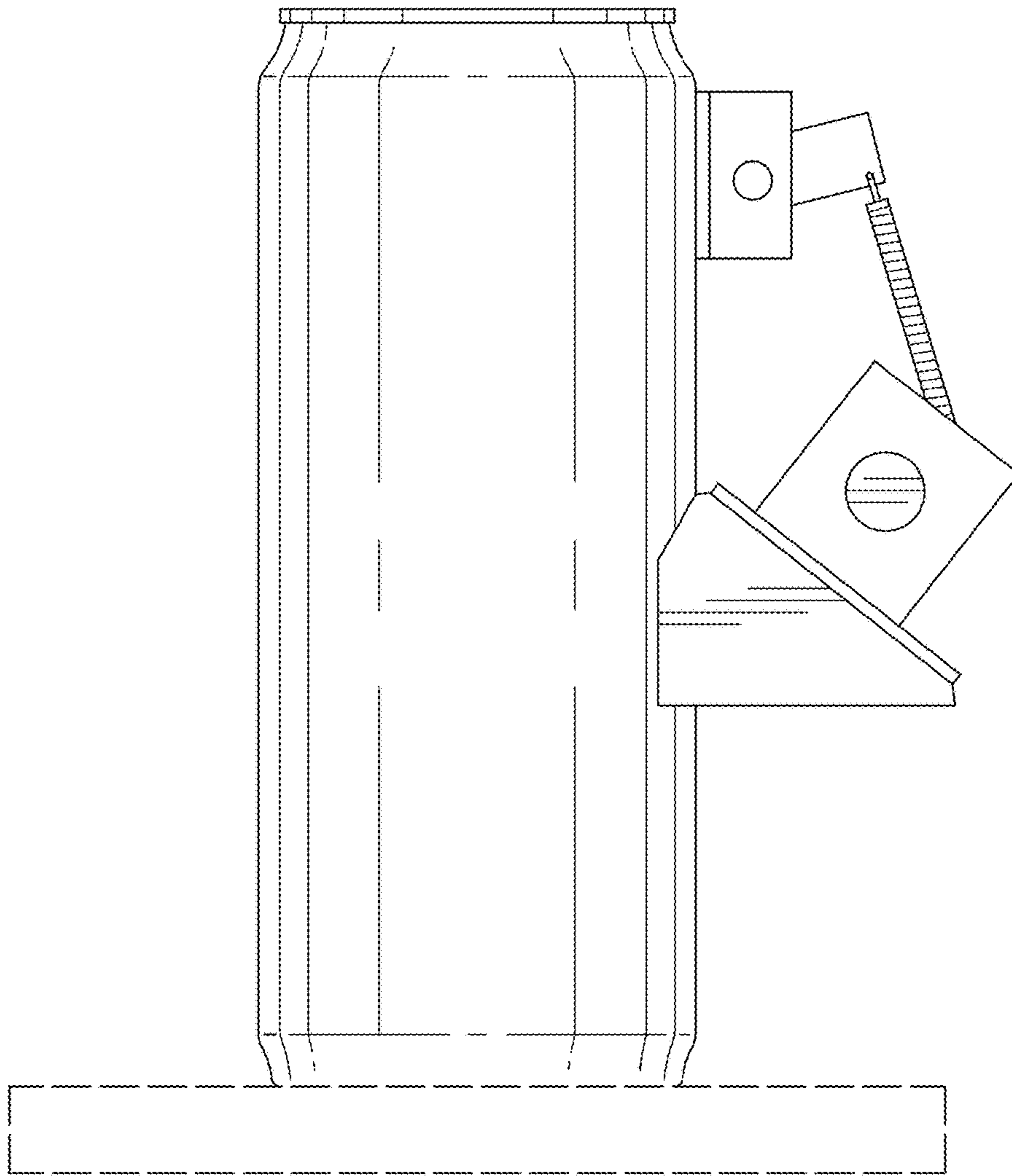


FIG. 11

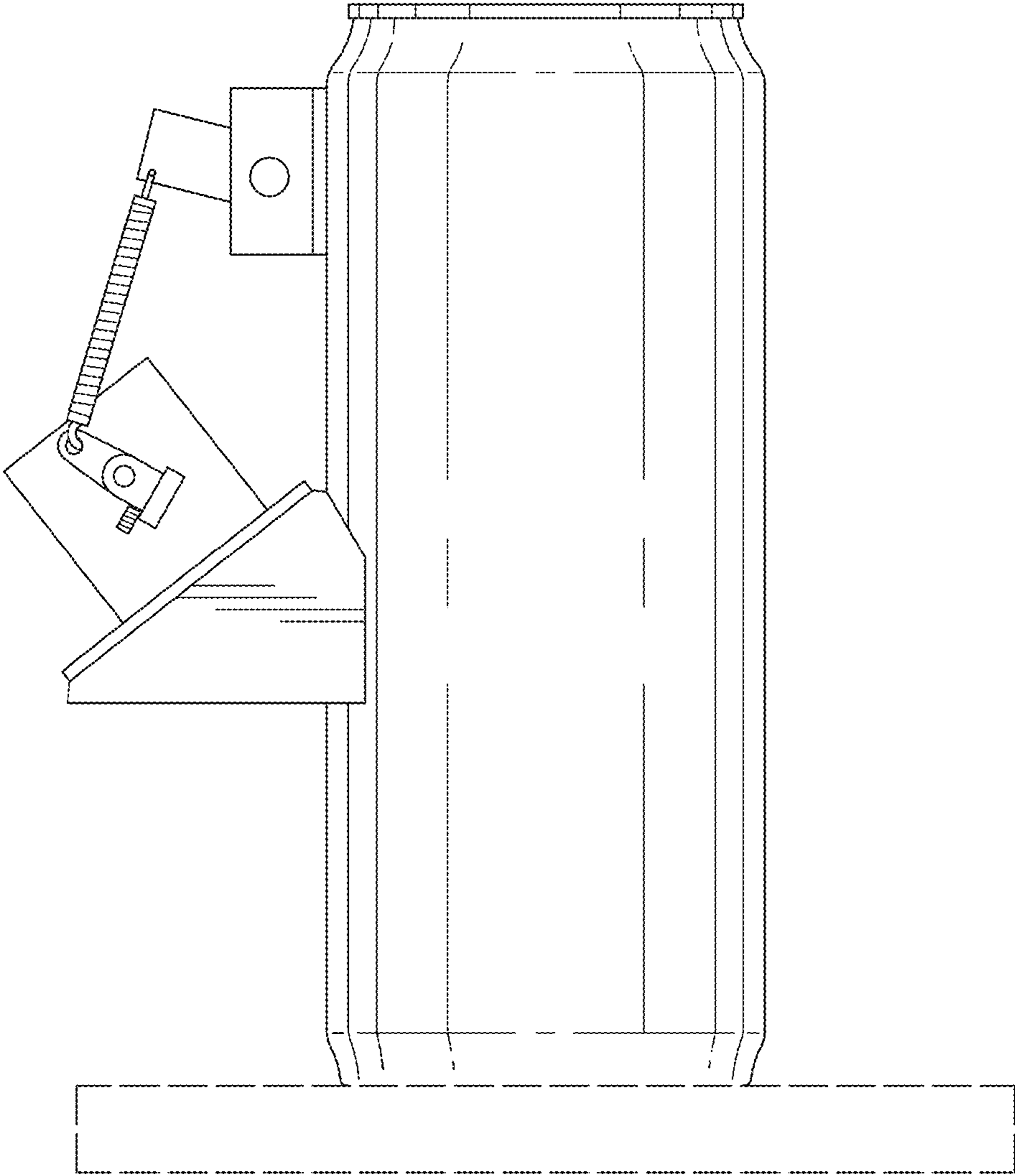


FIG. 12

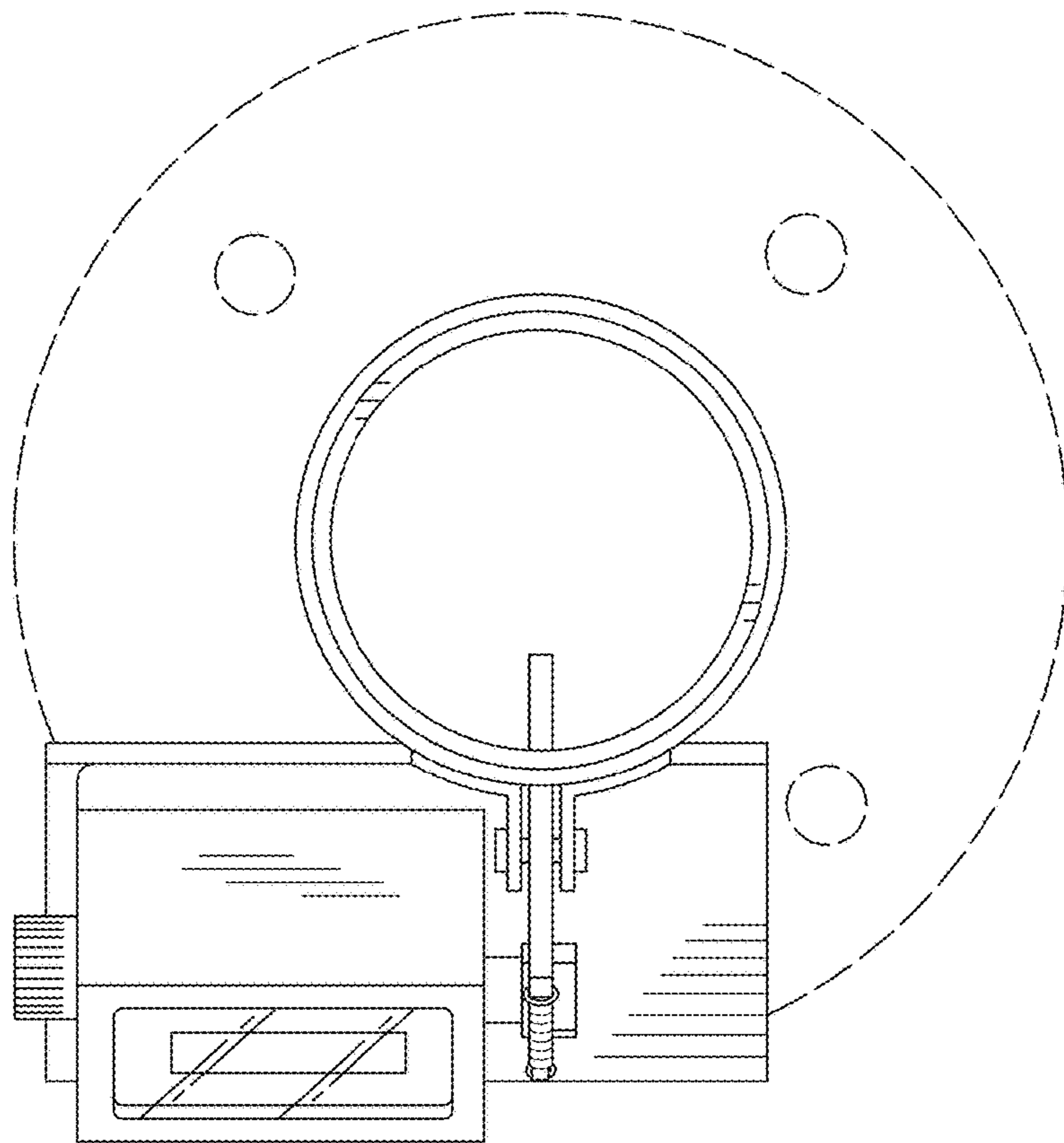


FIG. 13

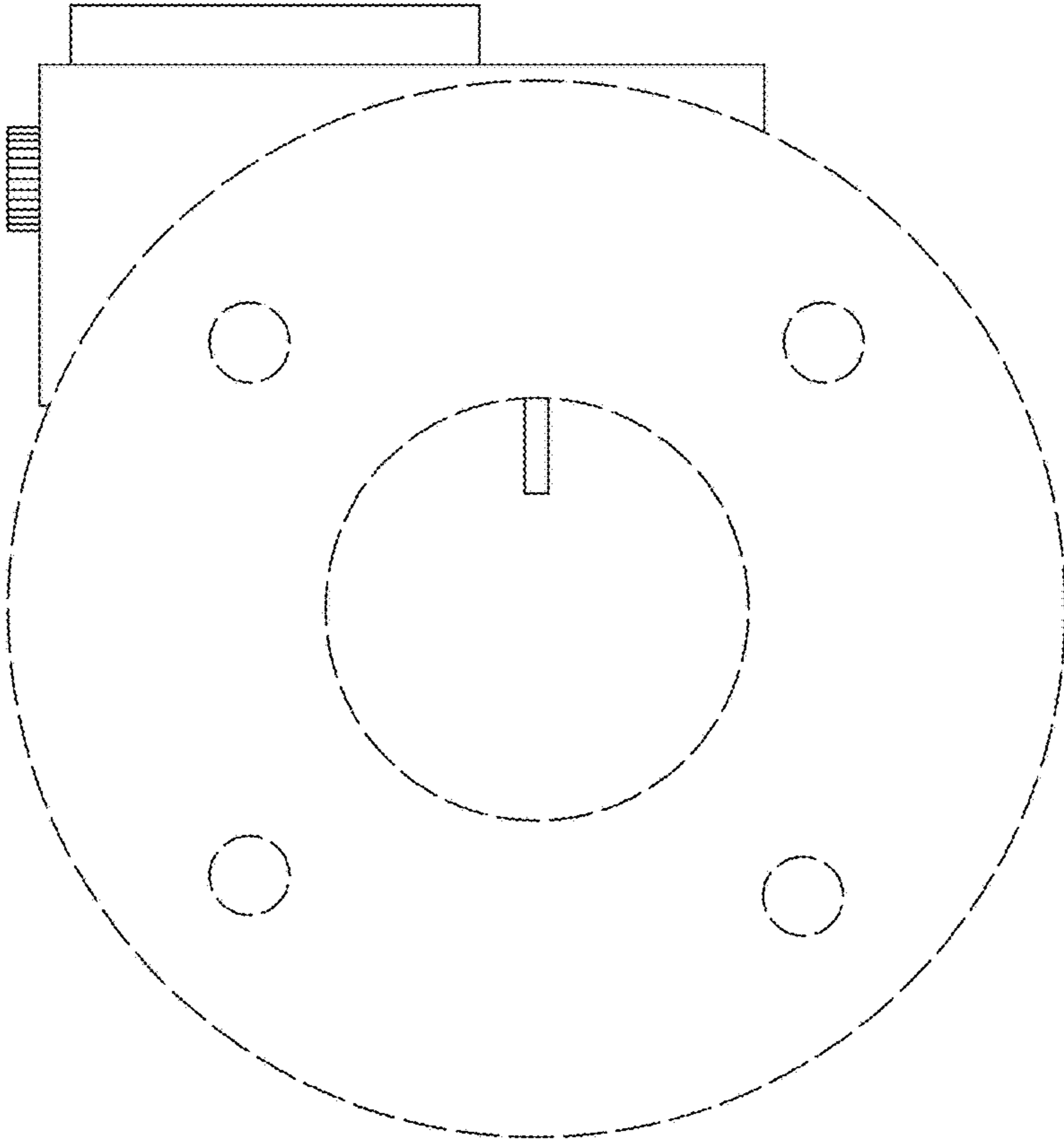


FIG. 14