



US00D818860S

(12) **United States Design Patent** (10) **Patent No.:** **US D818,860 S**
Sugiyama (45) **Date of Patent:** **** May 29, 2018**

(54) **ADAPTER FOR FLOW MEASURING UNIT**

(56) **References Cited**

(71) Applicant: **Panasonic Intellectual Property Management Co., Ltd.**, Osaka-shi, Osaka (JP)

U.S. PATENT DOCUMENTS

D609,591 S 2/2010 Oshima et al.
D717,184 S 11/2014 Yogo et al.
D802,462 S * 11/2017 Morneau D10/101

(72) Inventor: **Masaki Sugiyama**, Kyoto (JP)

FOREIGN PATENT DOCUMENTS

(73) Assignee: **PANASONIC INTELLECTUAL PROPERTY MANAGEMENT CO., LTD.**, Osaka (JP)

JP 1475456 S 7/2013

* cited by examiner

(**) Term: **15 Years**

Primary Examiner — Antoine Duval Davis

(21) Appl. No.: **29/612,282**

(74) *Attorney, Agent, or Firm* — Brinks Gilson & Lione

(22) Filed: **Jul. 31, 2017**

(57) **CLAIM**

Related U.S. Application Data

I claim the ornamental design for an adapter for flow measuring unit, as shown and described.

(62) Division of application No. 29/564,015, filed on May 10, 2016, now Pat. No. Des. 800,004.

Foreign Application Priority Data

DESCRIPTION

Jan. 8, 2016 (JP) 2016-000273
Jan. 8, 2016 (JP) 2016-000274

(51) **LOC (11) Cl.** **10-04**

(52) **U.S. Cl.**
USPC **D10/96**

(58) **Field of Classification Search**
USPC D10/96, 103
CPC G01F 1/74; G01F 1/40; G01F 1/42; G01F 1/44; G01F 1/46; G01F 11/003; G01F 11/006; G01N 21/03; G01N 21/05; G01N 2021/0378; G01N 2021/0382; G01N 2021/052; G01N 2021/054; G01N 2021/056; G01N 21/058

FIG. 1 is a front and top perspective view of an adapter for flow measuring unit of the present invention;
FIG. 2 is a rear and top perspective view thereof;
FIG. 3 is a front view thereof;
FIG. 4 is a rear view thereof;
FIG. 5 is a first side view thereof;
FIG. 6 is a second side view thereof;
FIG. 7 is a top view thereof; and,
FIG. 8 is a bottom view thereof.

The broken lines shown represent unclaimed subject matter and form no part of the claimed design. Additionally, the unevenly broken lines in the drawings define the limits of the claimed design.

See application file for complete search history.

1 Claim, 8 Drawing Sheets

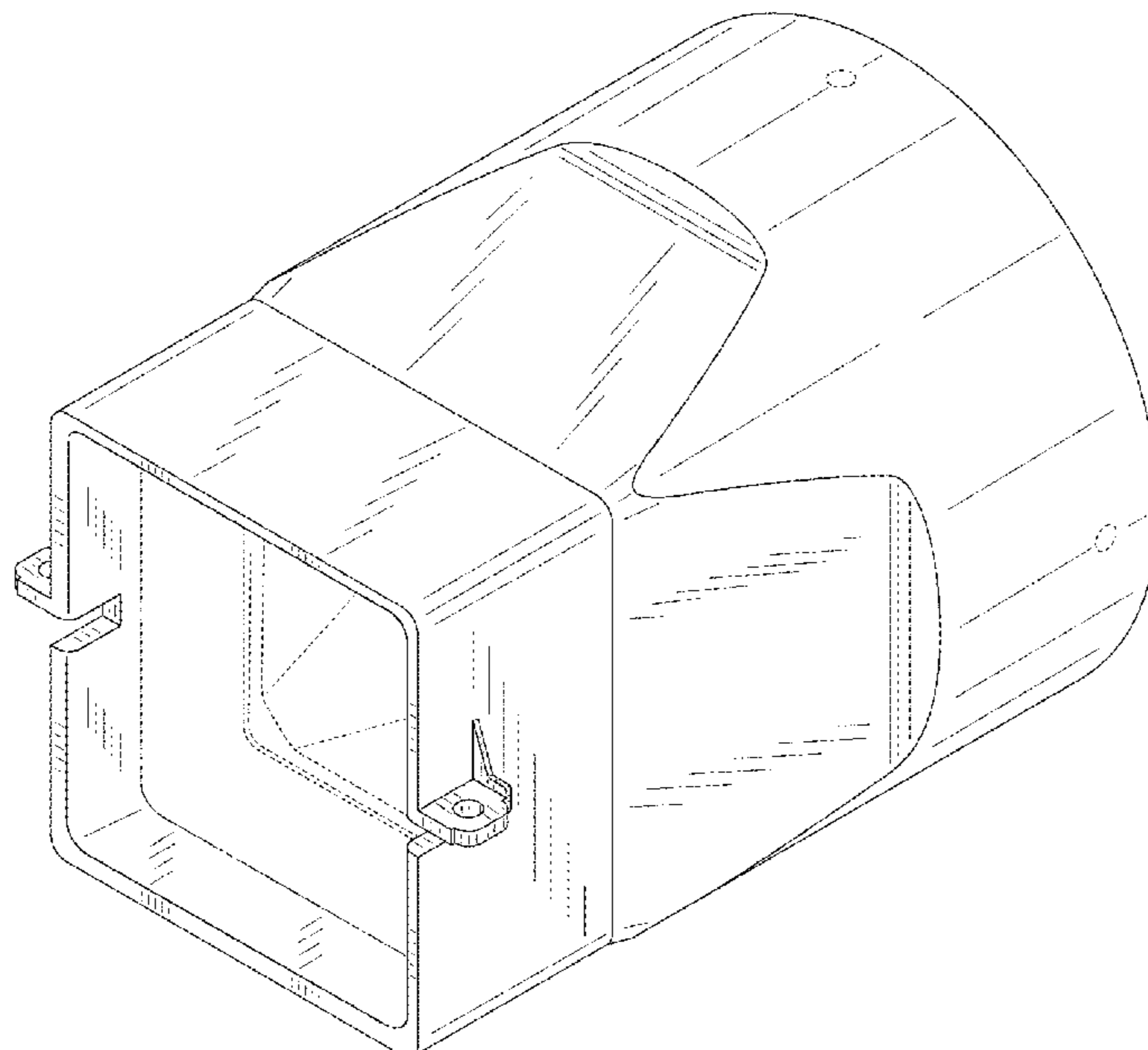


FIG. 1

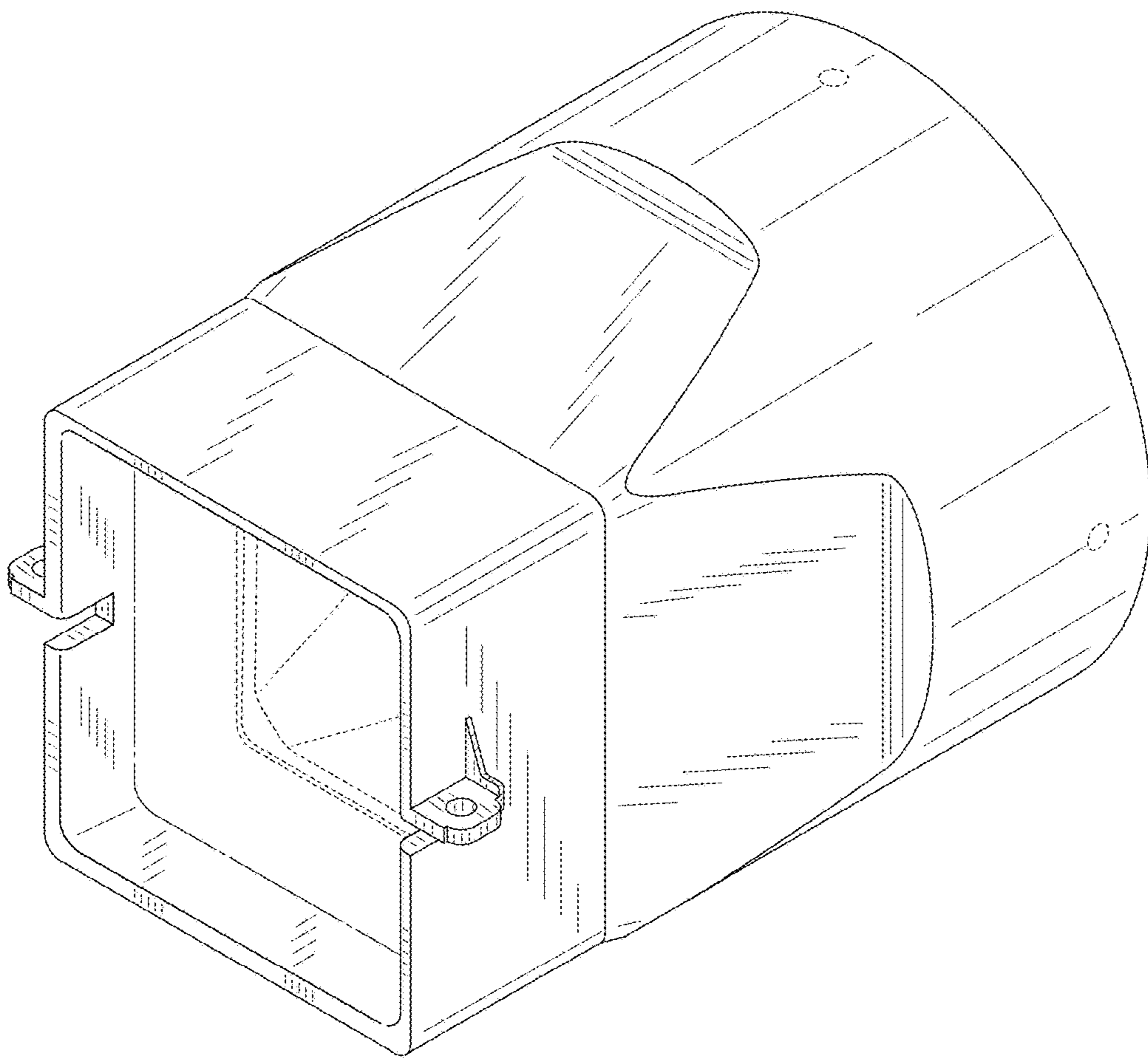


FIG. 2

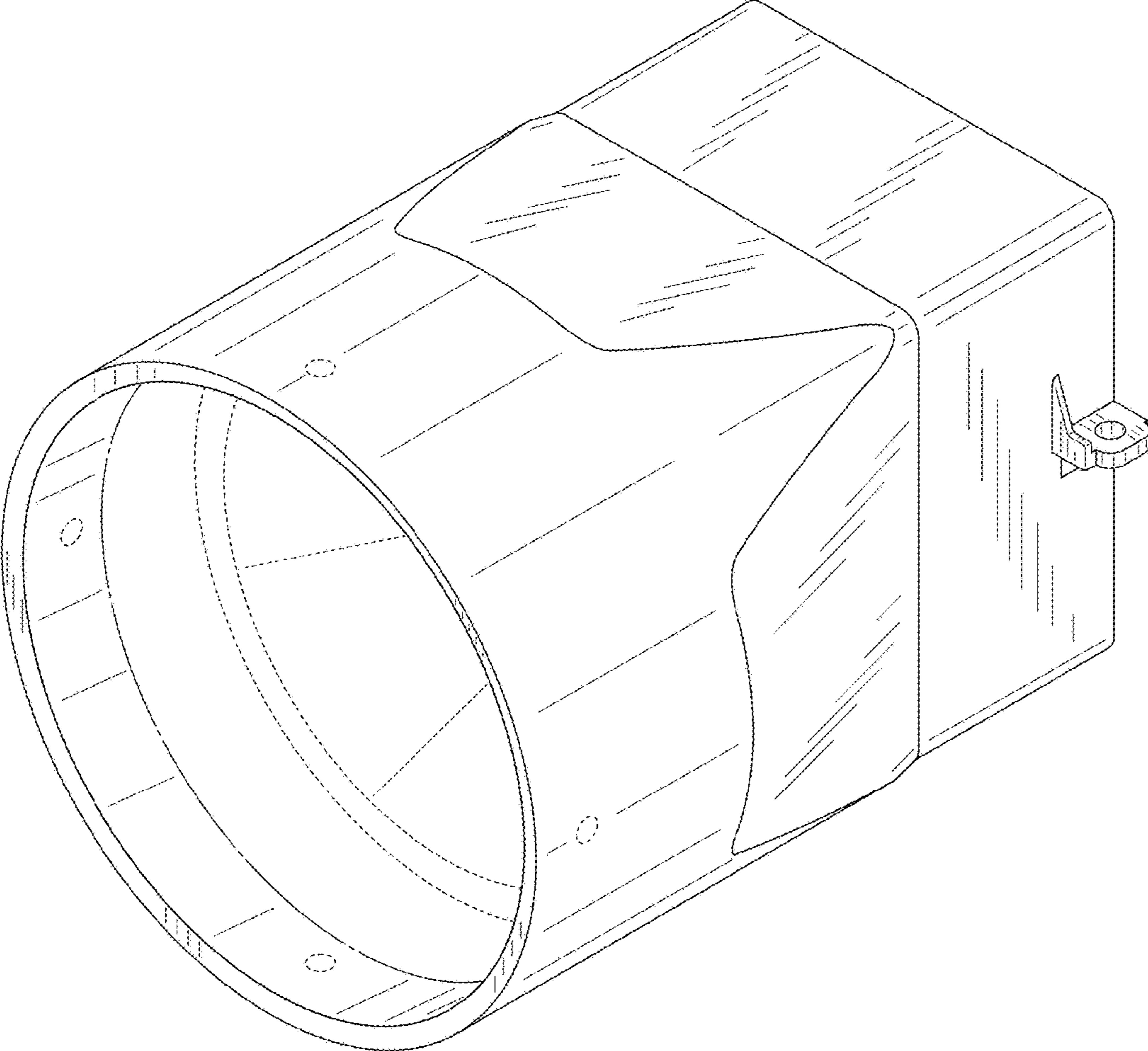


FIG. 3

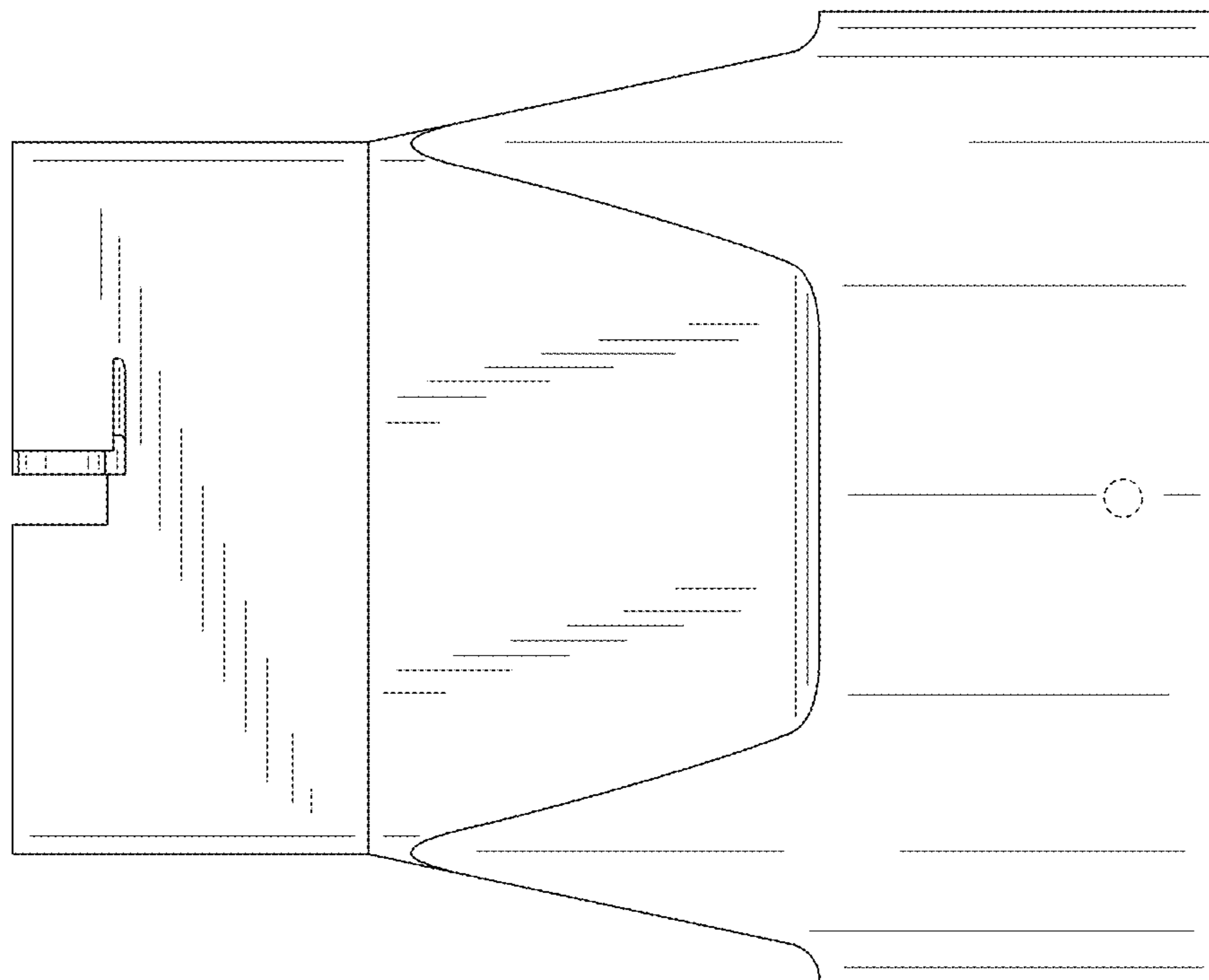


FIG. 4

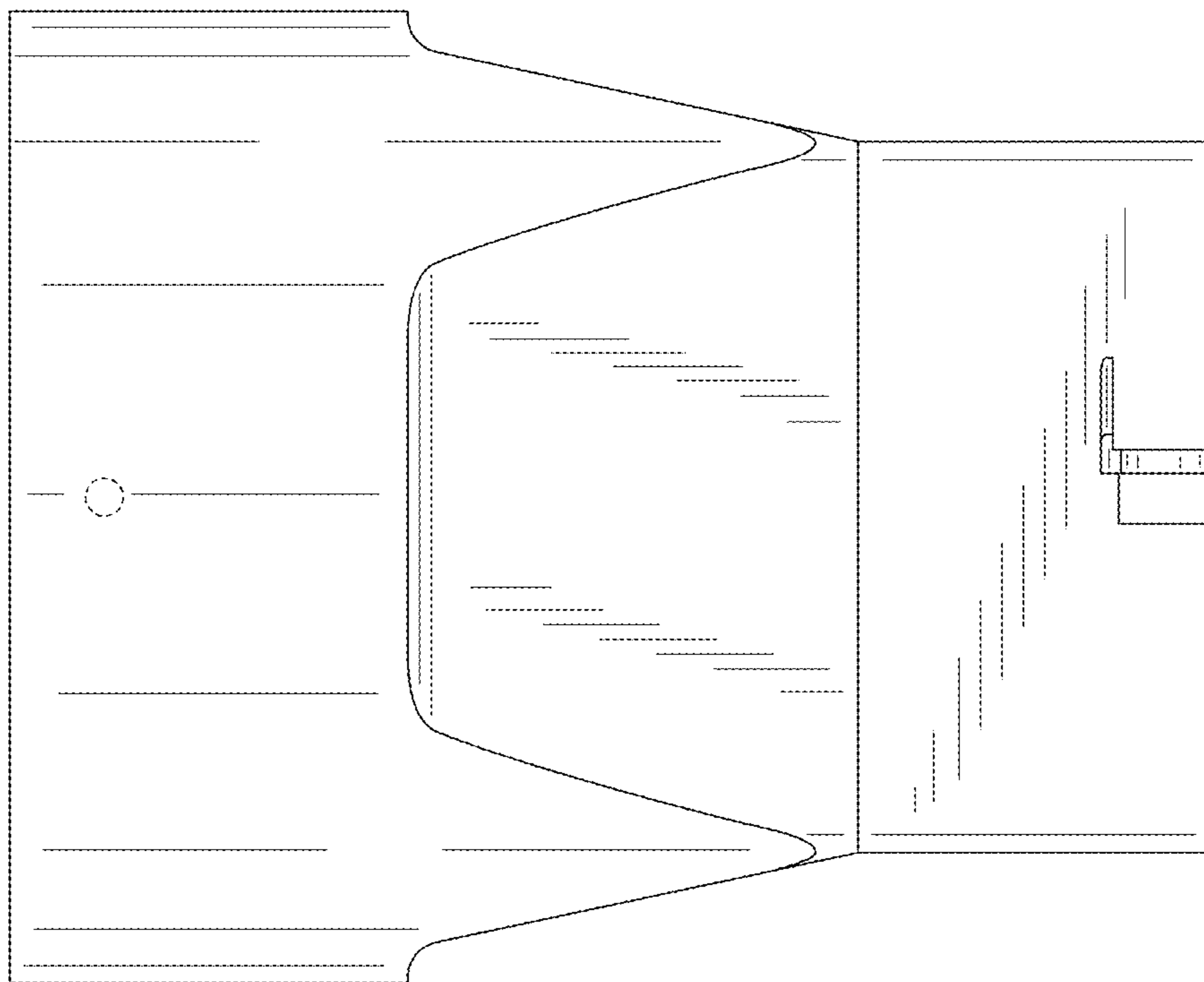


FIG. 5

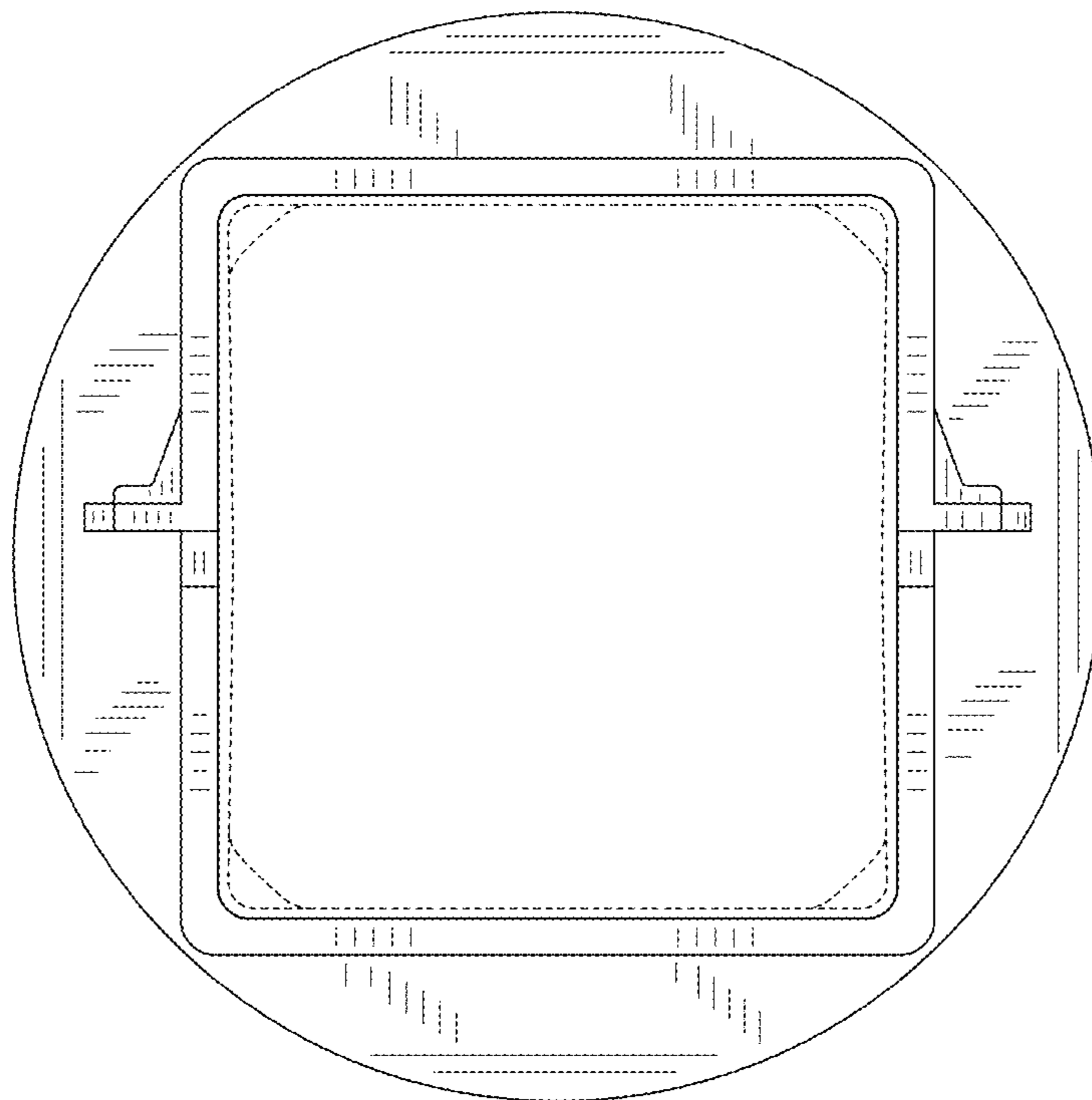


FIG. 6

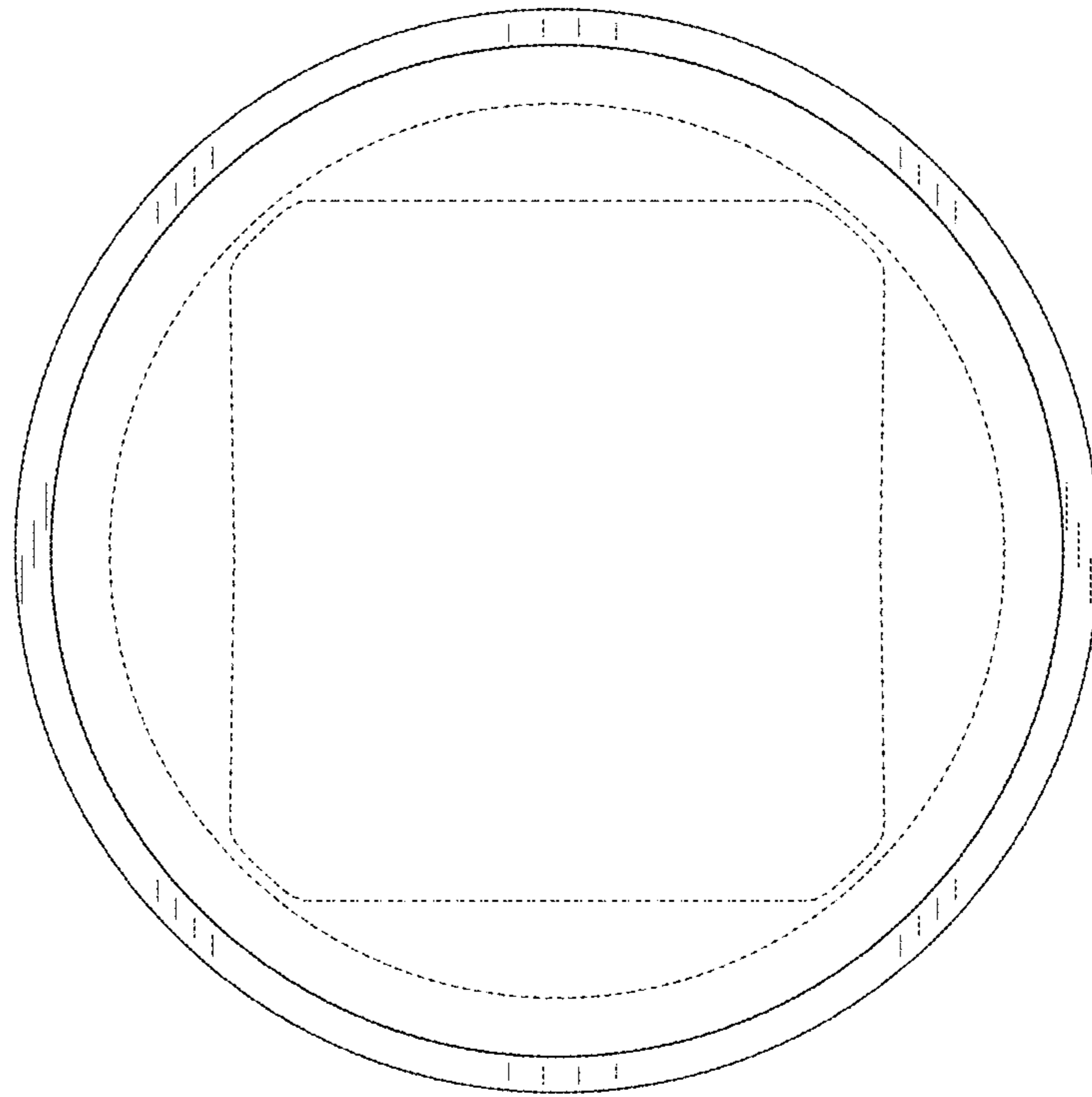


FIG. 7

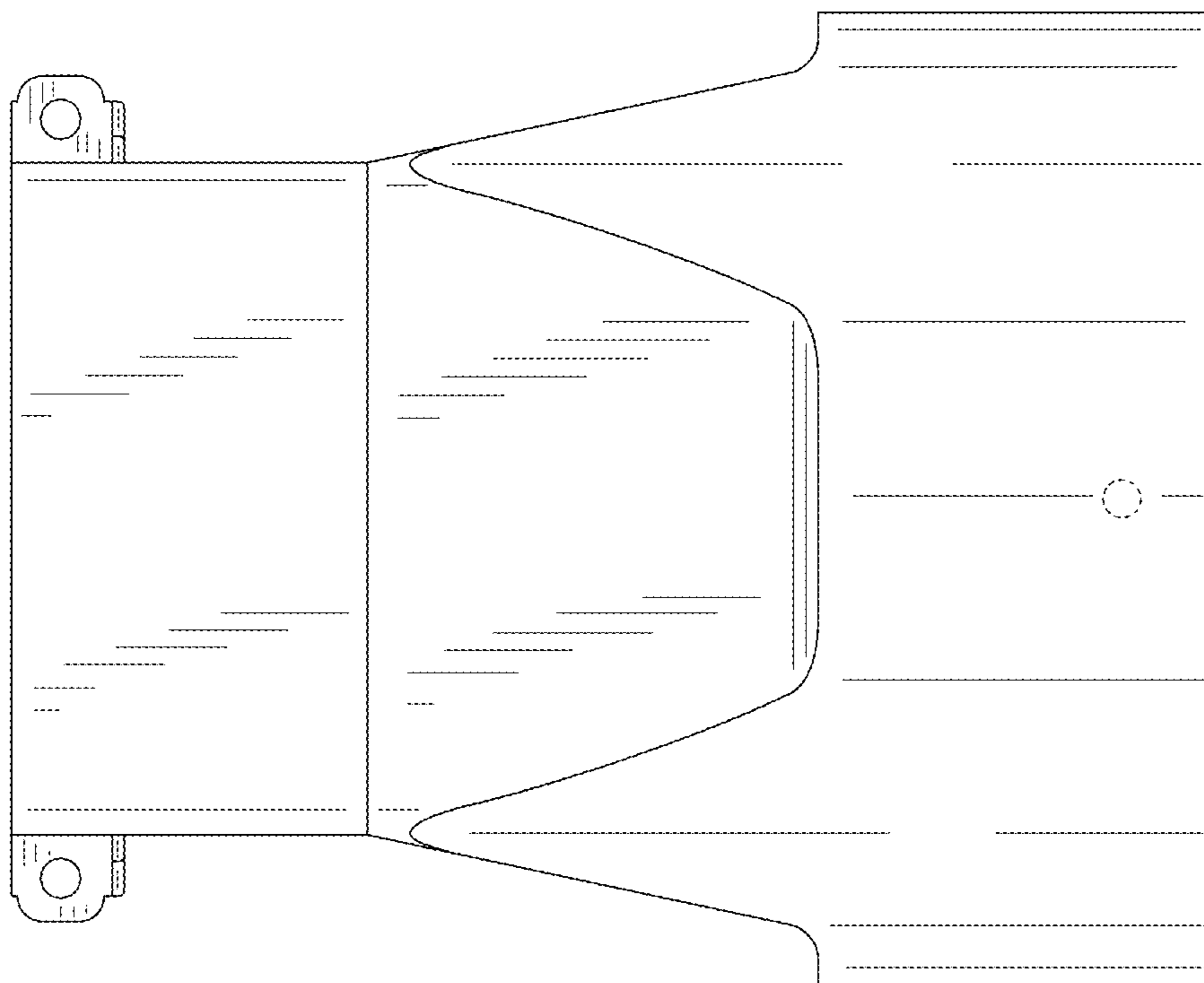


FIG. 8

