



US00D818857S

(12) **United States Design Patent** (10) **Patent No.:** **US D818,857 S**
Dewey et al. (45) **Date of Patent:** **** May 29, 2018**

(54) **HANDHELD MAINTENANCE TOOL**

(71) Applicant: **FISHER-ROSEMOUNT SYSTEMS, INC.**, Round Rock, TX (US)

(72) Inventors: **Alan R. Dewey**, Plymouth, MN (US); **Todd M. Toepke**, Eden Prairie, MN (US); **Tom Johnson**, Rosemount, MN (US)

(73) Assignee: **FISHER-ROSEMOUNT SYSTEMS, INC.**, Round Rock, TX (US)

(**) Term: **15 Years**

(21) Appl. No.: **29/605,247**

(22) Filed: **May 24, 2017**

Related U.S. Application Data

(60) Division of application No. 29/571,212, filed on Jul. 15, 2016, now Pat. No. Des. 790,997, which is a (Continued)

(51) **LOC (11) Cl.** **10-04**

(52) **U.S. Cl.**
USPC **D10/78; D10/46**

(58) **Field of Classification Search**
USPC **D10/46, 75-78, 83-86**
(Continued)

(56) **References Cited**

U.S. PATENT DOCUMENTS

D510,533 S 10/2005 Hoofnagle
D563,810 S 3/2008 Gershfeld
(Continued)

Primary Examiner — Antoine Duval Davis

(74) *Attorney, Agent, or Firm* — Marshall, Gerstein & Borun LLP

(57) **CLAIM**

The ornamental design for a handheld maintenance tool, as shown and described.

DESCRIPTION

FIG. 1 is a front, right-side, and top view of a second embodiment of a handheld maintenance tool of the inventive design.

FIG. 2 is a front view of the handheld maintenance tool shown in FIG. 1.

FIG. 3 is a left-side view of the handheld maintenance tool shown in FIG. 1.

FIG. 4 is a rear view of the handheld maintenance tool shown in FIG. 1.

FIG. 5 is a right-side view of the handheld maintenance tool shown in FIG. 1.

FIG. 6 is a top view of the handheld maintenance tool shown in FIG. 1.

FIG. 7 is a bottom view of the handheld maintenance tool shown in FIG. 1.

FIG. 8 is a front, right-side, and top view of a third embodiment of a handheld maintenance tool of the inventive design.

FIG. 9 is a front view of the handheld maintenance tool shown in FIG. 8.

FIG. 10 is a left-side view of the handheld maintenance tool shown in FIG. 8.

FIG. 11 is a rear view of the handheld maintenance tool shown in FIG. 8.

FIG. 12 is a right-side view of the handheld maintenance tool shown in FIG. 8.

FIG. 13 is a top view of the handheld maintenance tool shown in FIG. 8.

FIG. 14 is a bottom view of the handheld maintenance tool shown in FIG. 8.

FIG. 15 is a front, right-side, and top view of a fourth embodiment of a handheld maintenance tool of the inventive design.

FIG. 16 is a front view of the handheld maintenance tool shown in FIG. 15.

FIG. 17 is a left-side view of the handheld maintenance tool shown in FIG. 15.

FIG. 18 is a rear view of the handheld maintenance tool shown in FIG. 15.

FIG. 19 is a right-side view of the handheld maintenance tool shown in FIG. 15.

(Continued)

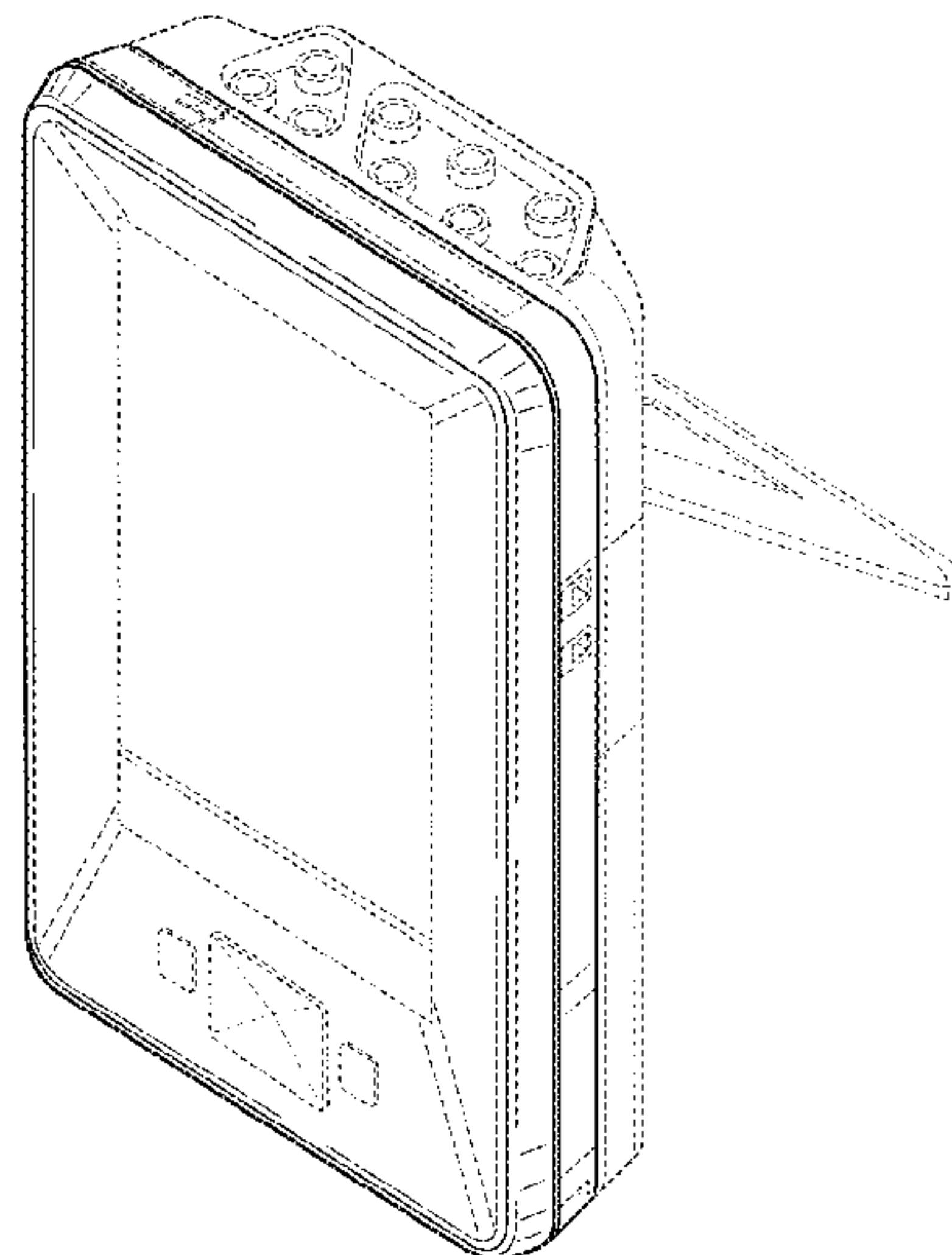


FIG. 20 is a top view of the handheld maintenance tool shown in FIG. 15.

FIG. 21 is a bottom view of the handheld maintenance tool shown in FIG. 15.

FIG. 22 is a front, right-side, and top view of a fifth embodiment of a handheld maintenance tool of the inventive design.

FIG. 23 is a front view of the handheld maintenance tool shown in FIG. 22.

FIG. 24 is a left-side view of the handheld maintenance tool shown in FIG. 22.

FIG. 25 is a rear view of the handheld maintenance tool shown in FIG. 22.

FIG. 26 is a right-side view of the handheld maintenance tool shown in FIG. 22.

FIG. 27 is a top view of the handheld maintenance tool shown in FIG. 22.

FIG. 28 is a bottom view of the handheld maintenance tool shown in FIG. 22.

FIG. 29 is a front, right-side, and top view of a seventh embodiment of a handheld maintenance tool of the inventive design.

FIG. 30 is a front view of the handheld maintenance tool shown in FIG. 29.

FIG. 31 is a left-side view of the handheld maintenance tool shown in FIG. 29.

FIG. 32 is a rear view of the handheld maintenance tool shown in FIG. 29.

FIG. 33 is a right-side view of the handheld maintenance tool shown in FIG. 29.

FIG. 34 is a top view of the handheld maintenance tool shown in FIG. 29; and,

FIG. 35 is a bottom view of the handheld maintenance tool shown in FIG. 29.

The broken lines represent elements of the handheld maintenance tool that form no part of the claimed design.

1 Claim, 35 Drawing Sheets

Related U.S. Application Data

continuation of application No. 29/523,409, filed on Apr. 9, 2015, now Pat. No. Des. 764,329.

(58) **Field of Classification Search**

CPC G05B 19/0428; G05B 19/409; G05B 19/048; G05B 19/4093; G05B 2219/36159; G05B 2219/23406; G05B 2219/25428; G05B 2219/24054; G05B 2219/23244; G05B 2219/24056; G05B 2219/24058; G05B 2219/24084

See application file for complete search history.

(56) **References Cited**

U.S. PATENT DOCUMENTS

8,788,137	B2	7/2014	Bertosa et al.
D714,171	S	9/2014	Hoofnagle et al.
D752,460	S	3/2016	Gnauck
D756,820	S	5/2016	Rekow
D759,521	S	6/2016	Rekow
D764,329	S	8/2016	Dewey et al.
D804,339	S	* 12/2017	Protti D10/78

* cited by examiner

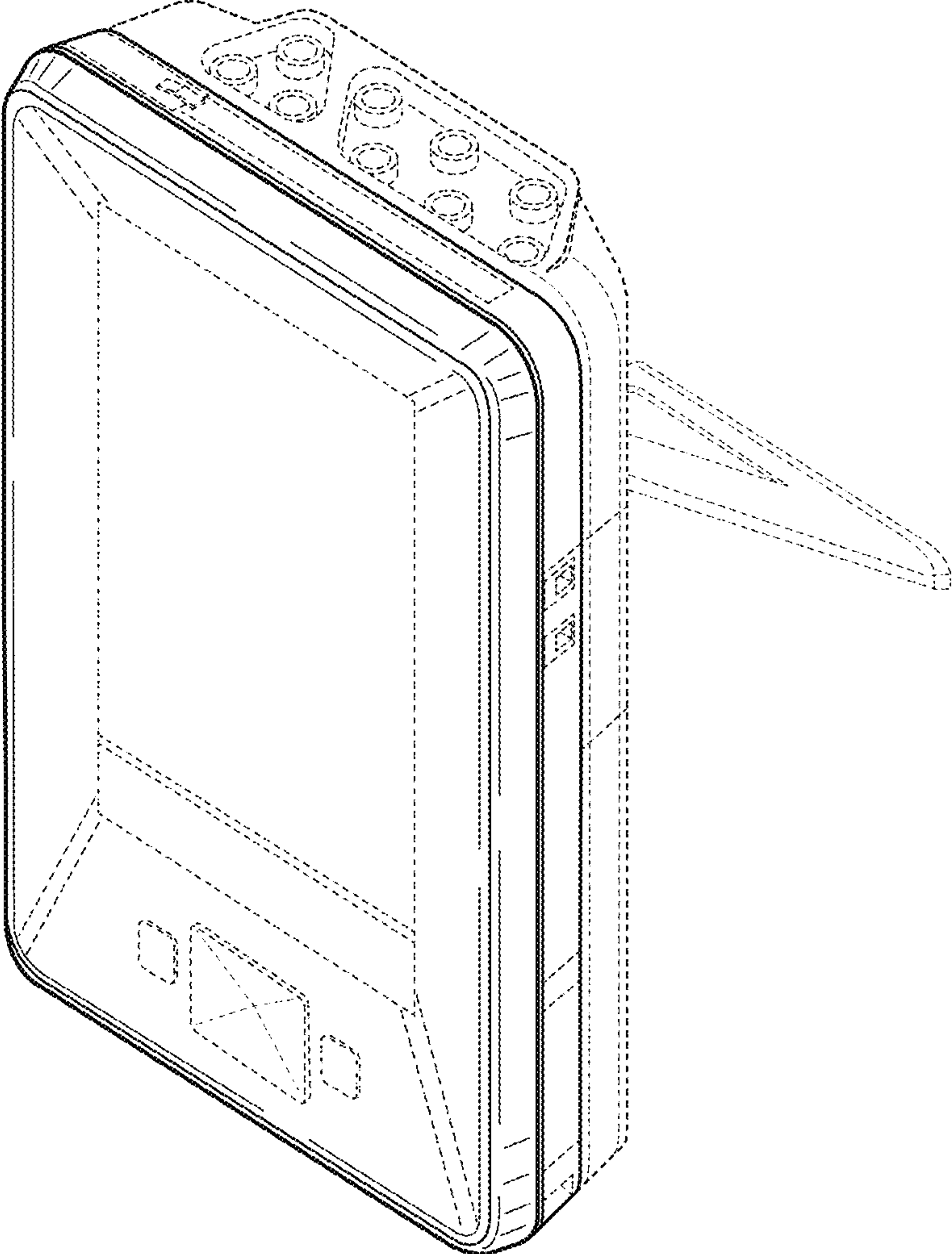


FIG. 1

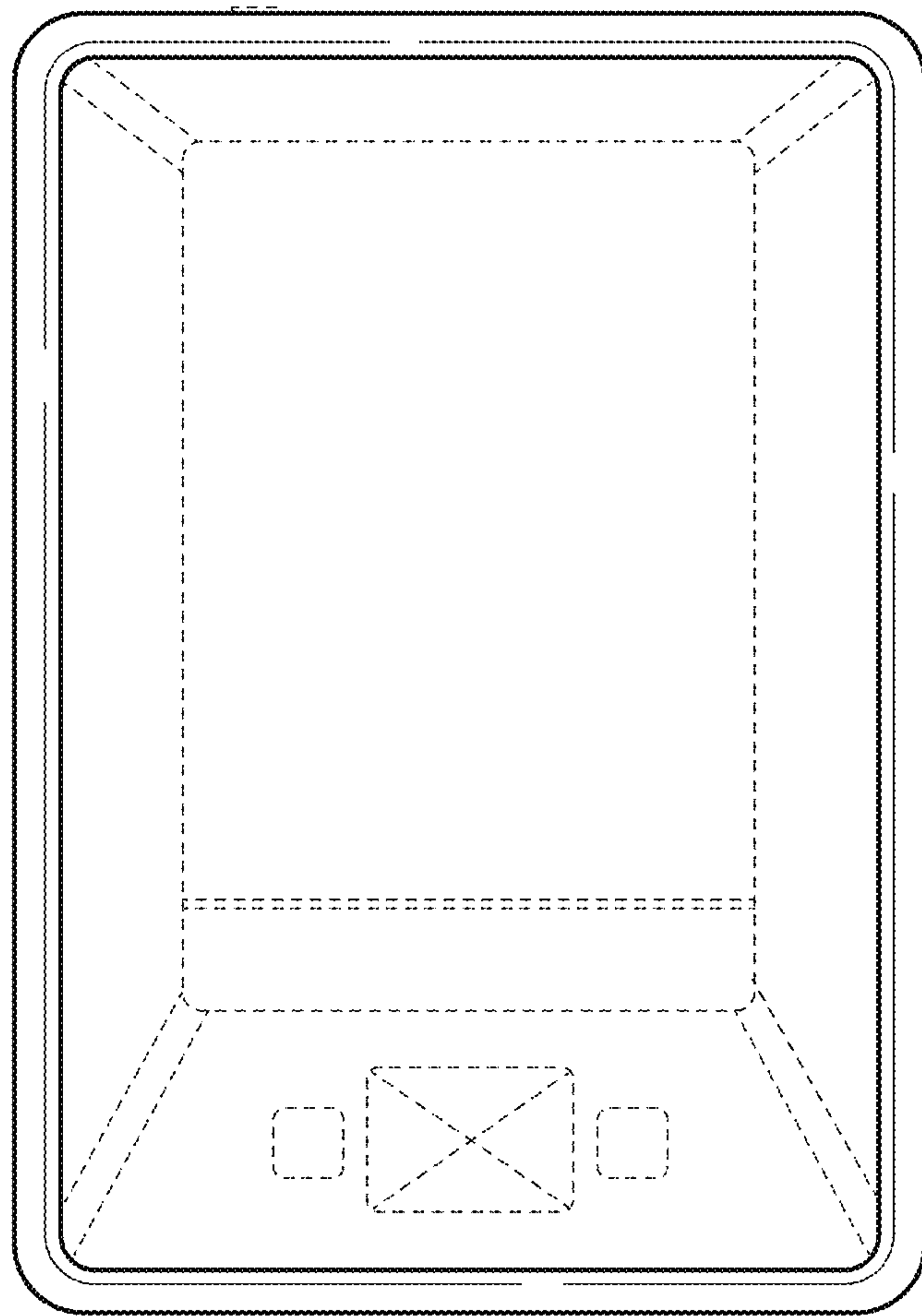


FIG. 2

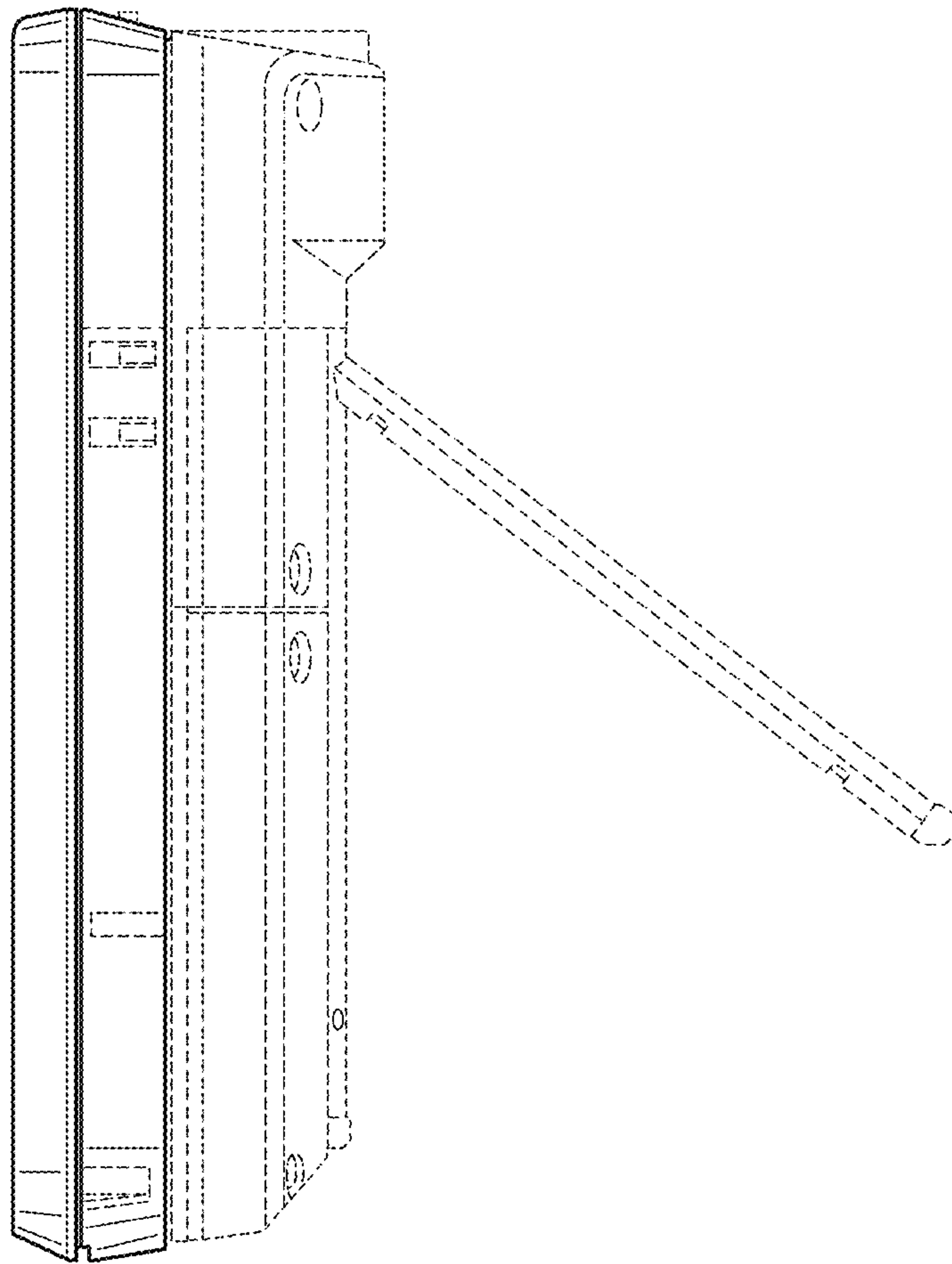


FIG. 3

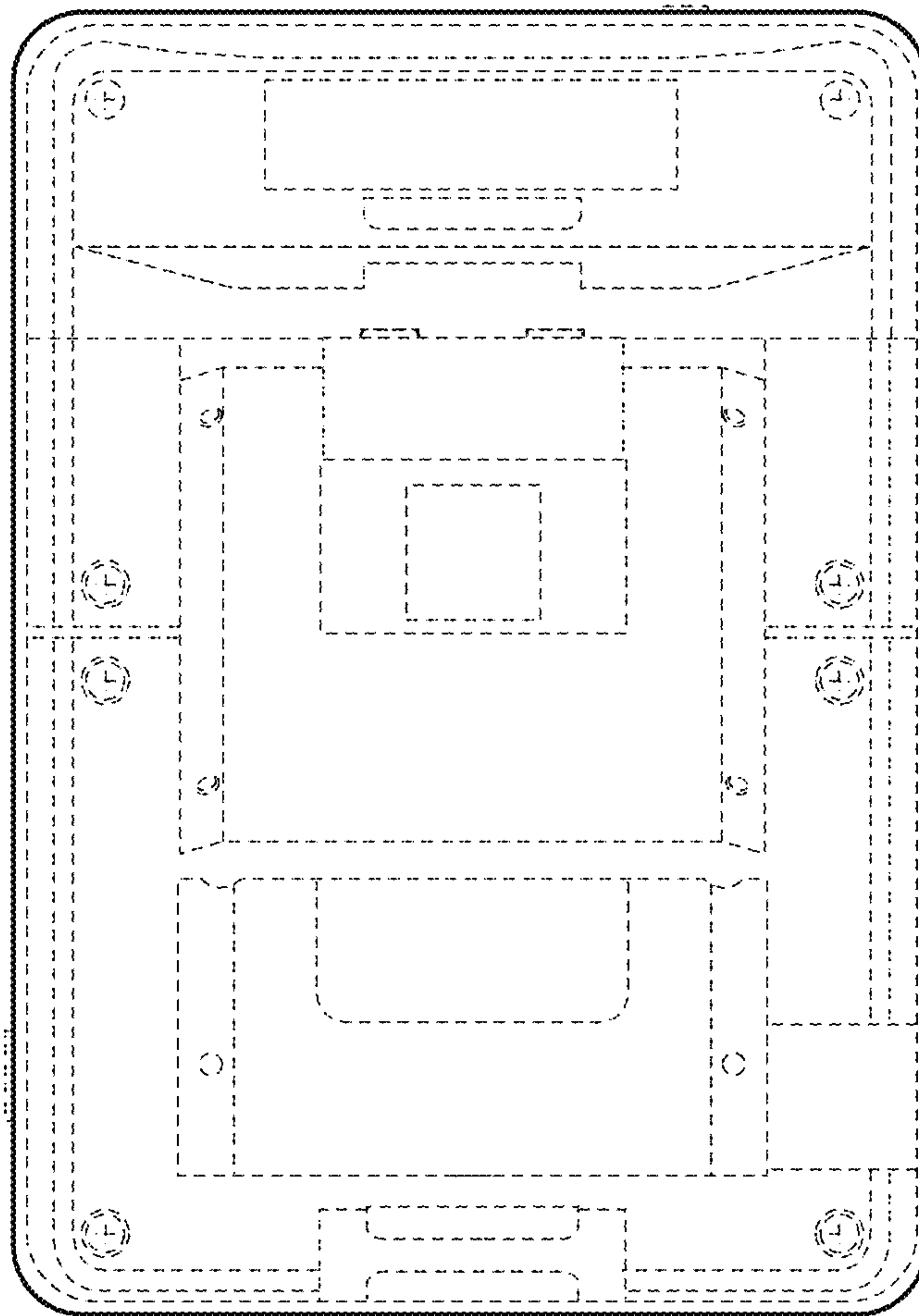


FIG. 4

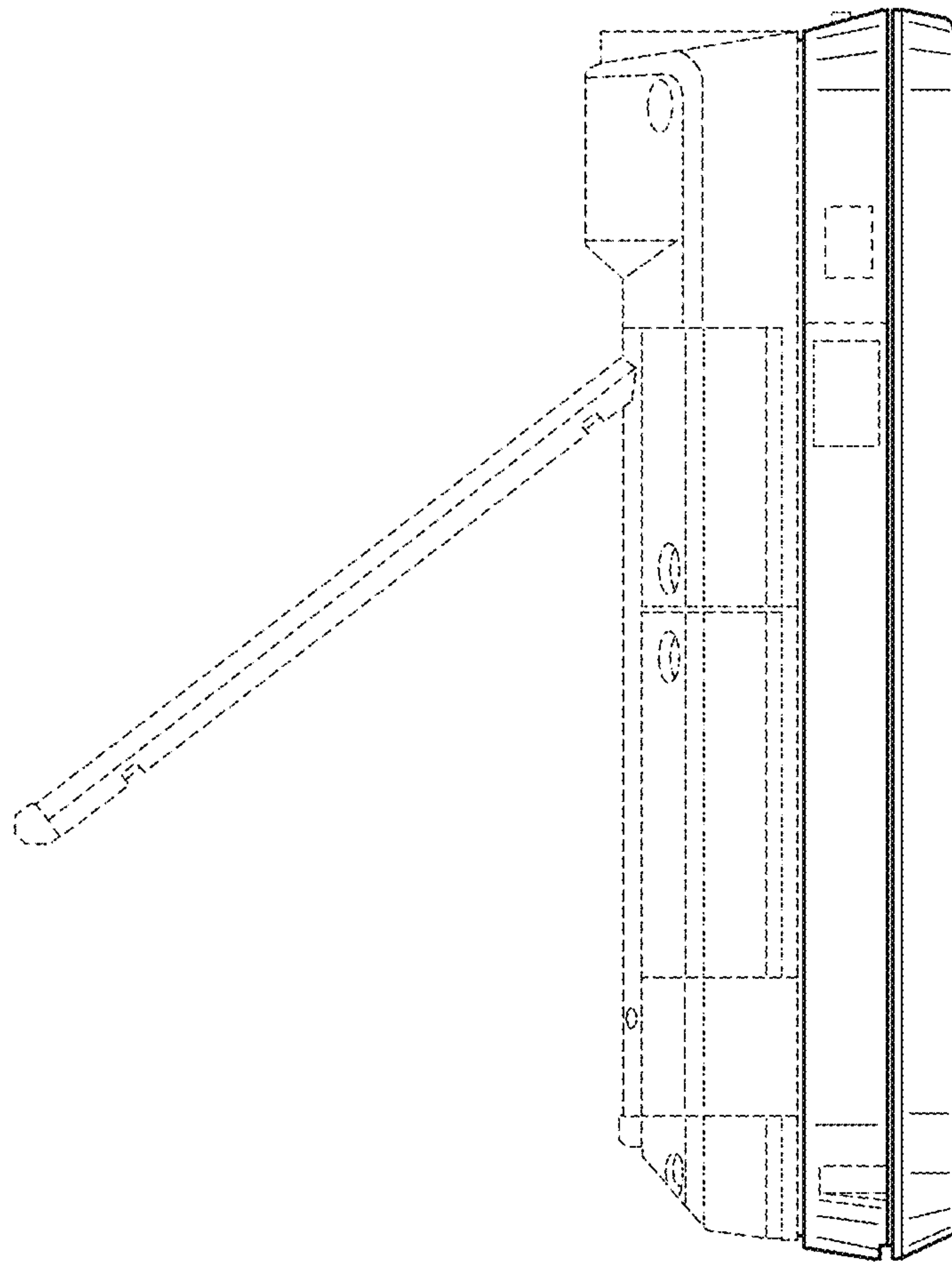


FIG. 5

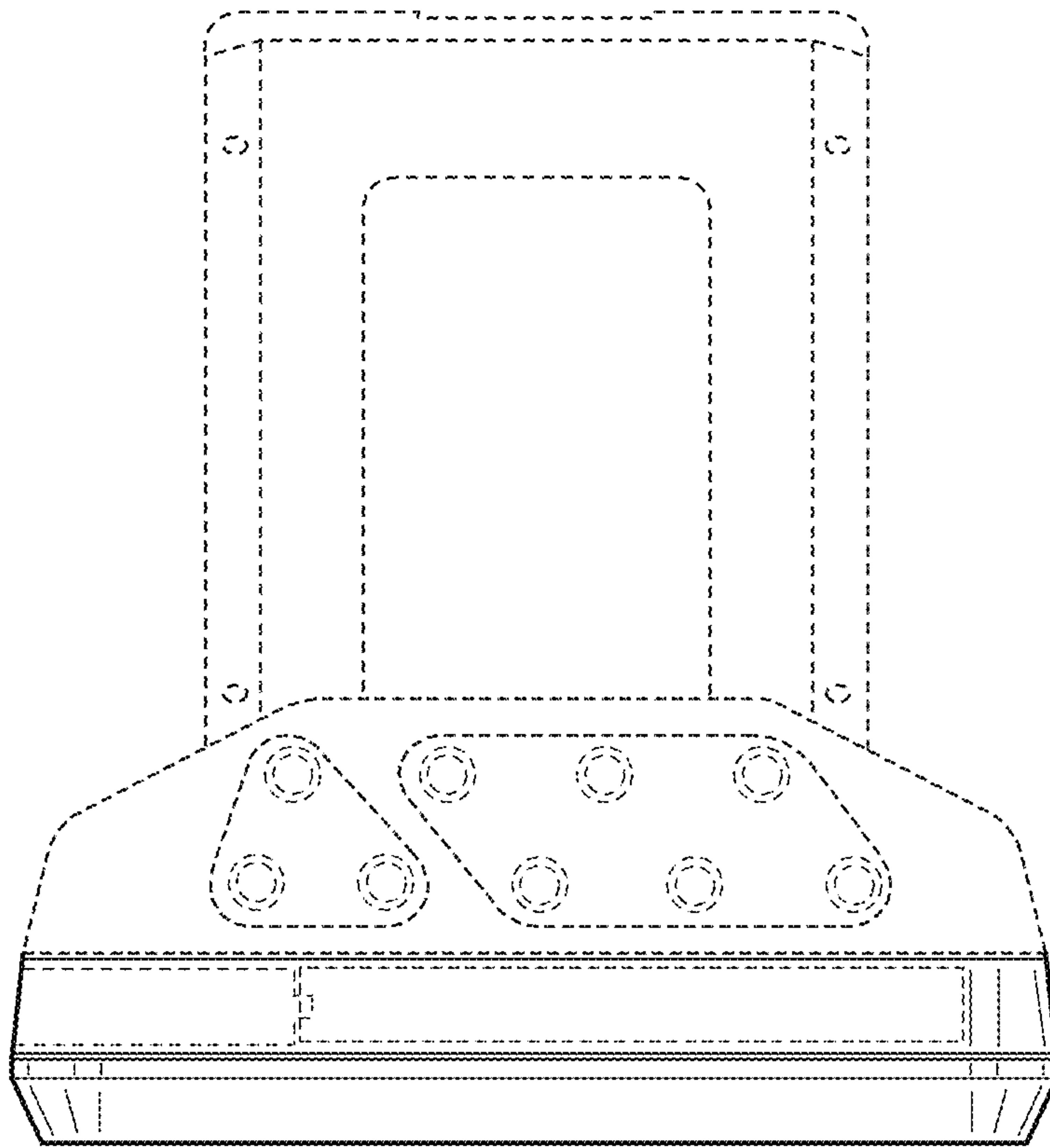


FIG. 6

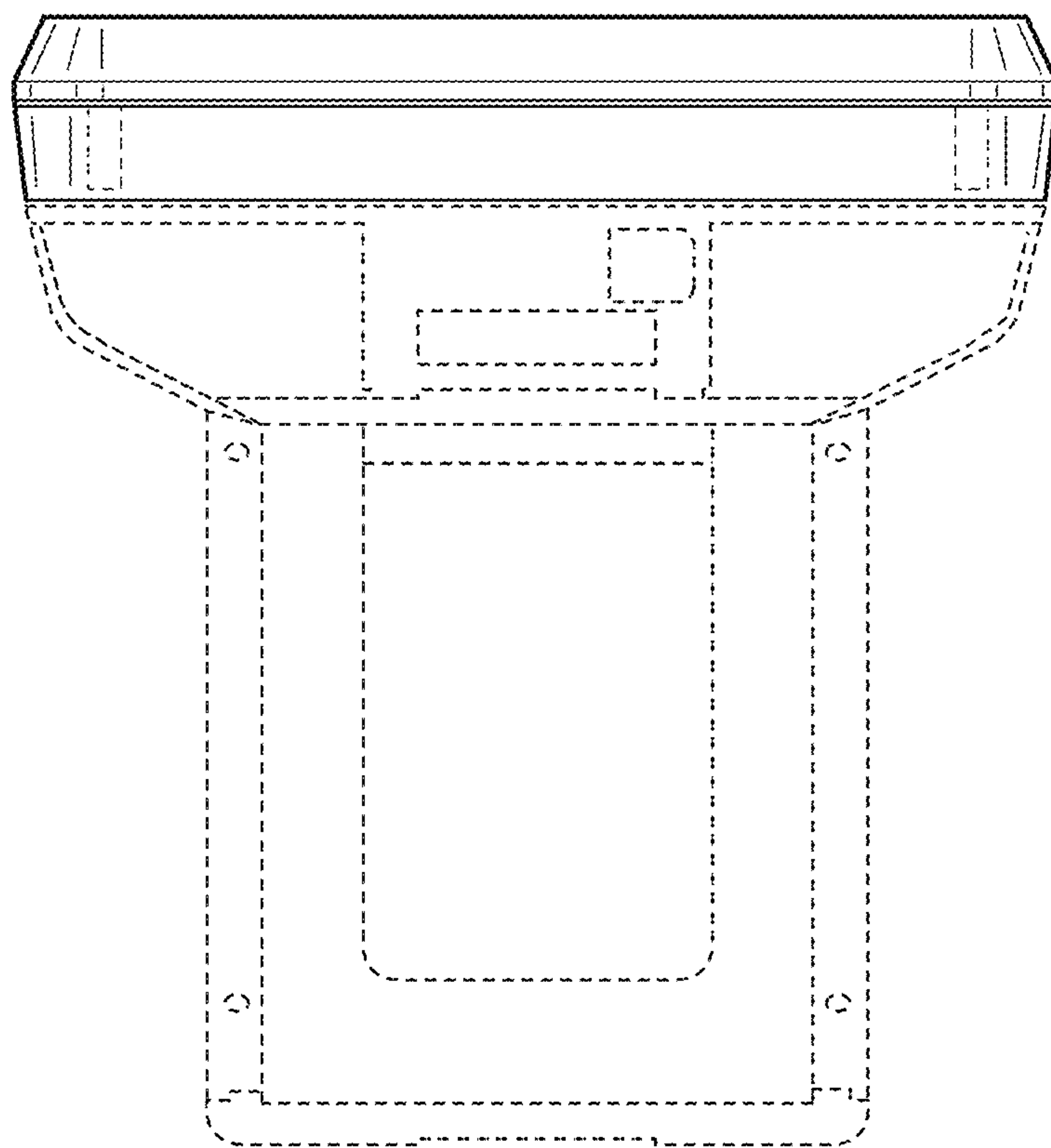


FIG. 7

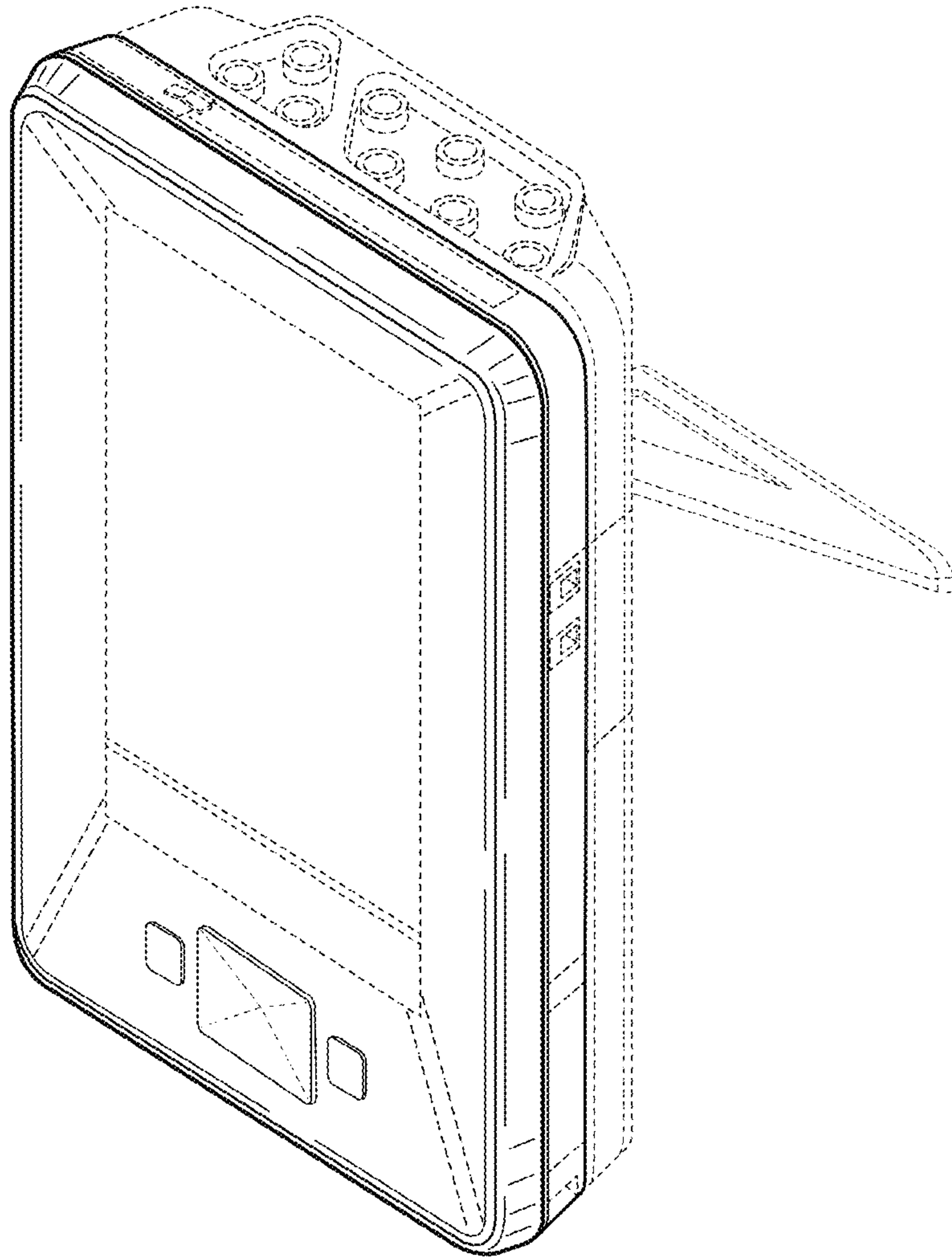


FIG. 8

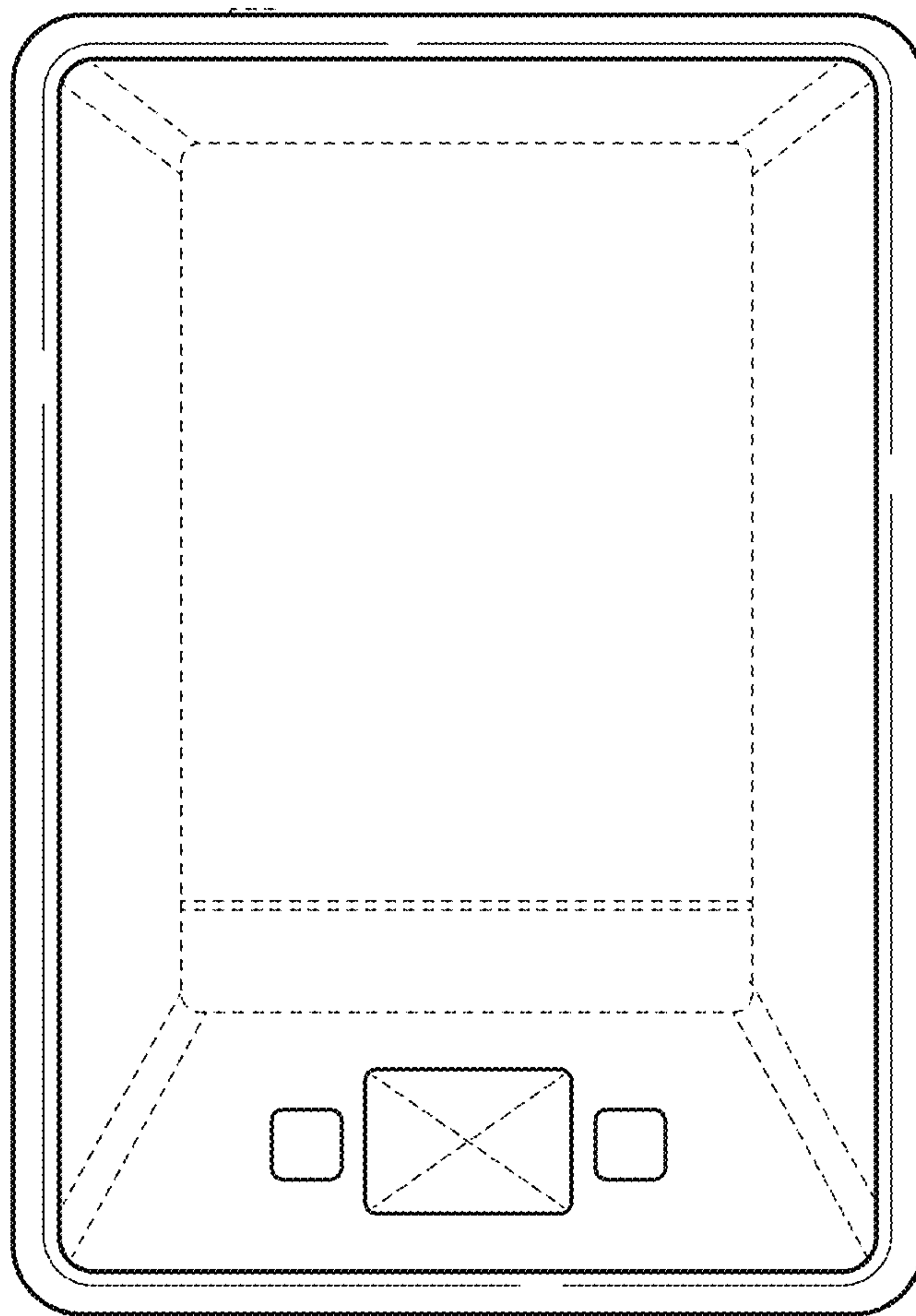


FIG. 9

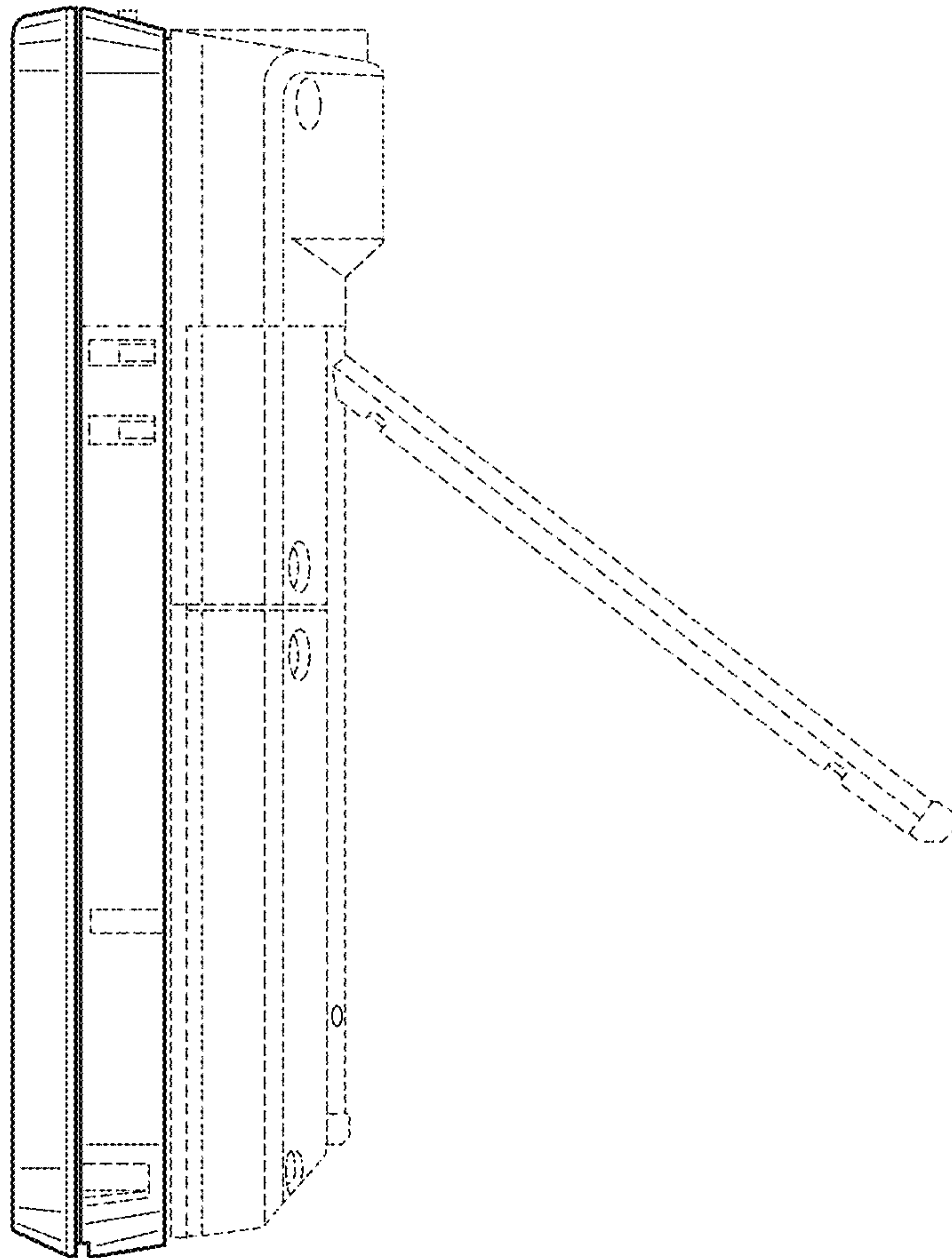


FIG. 10

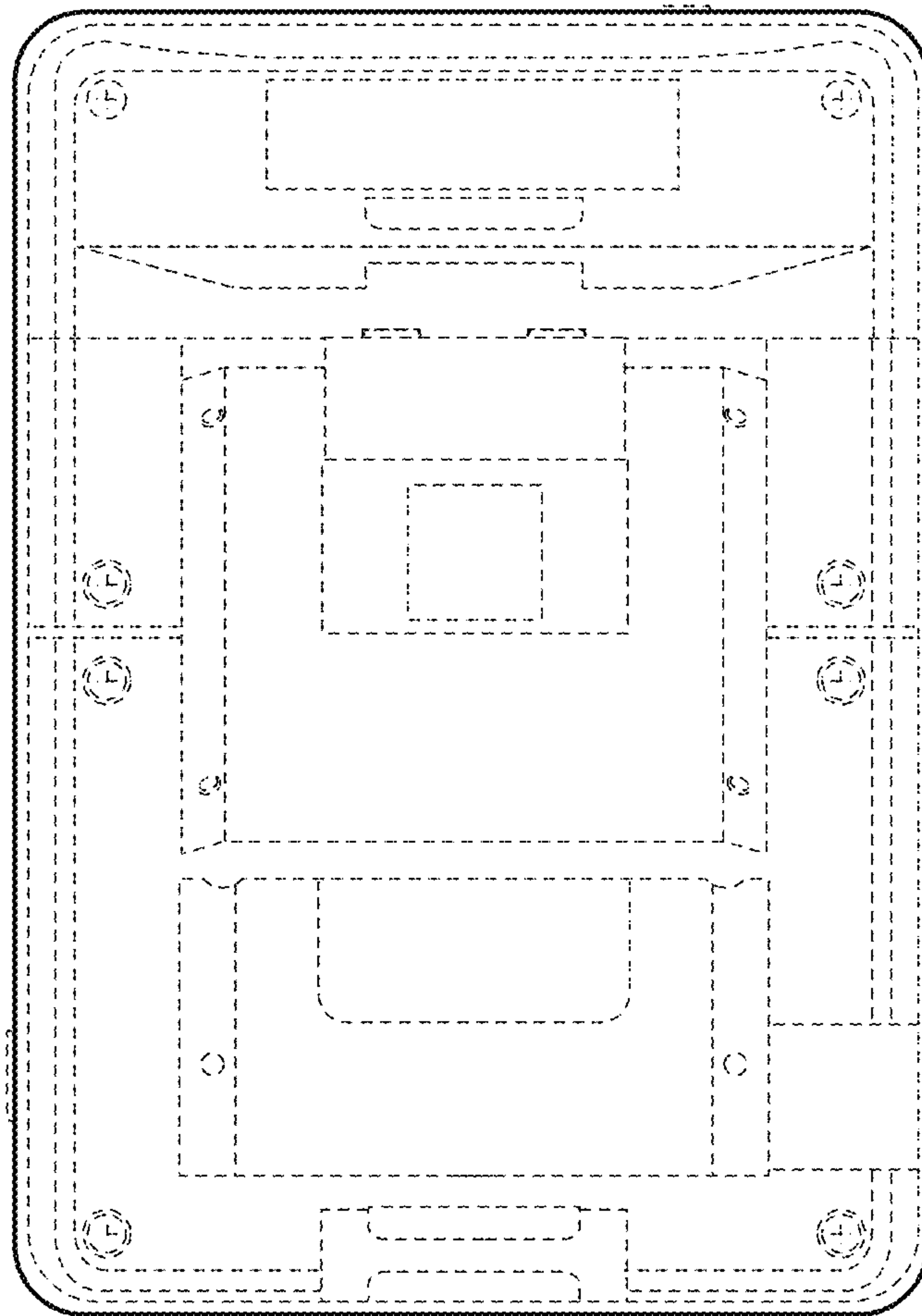


FIG. 11

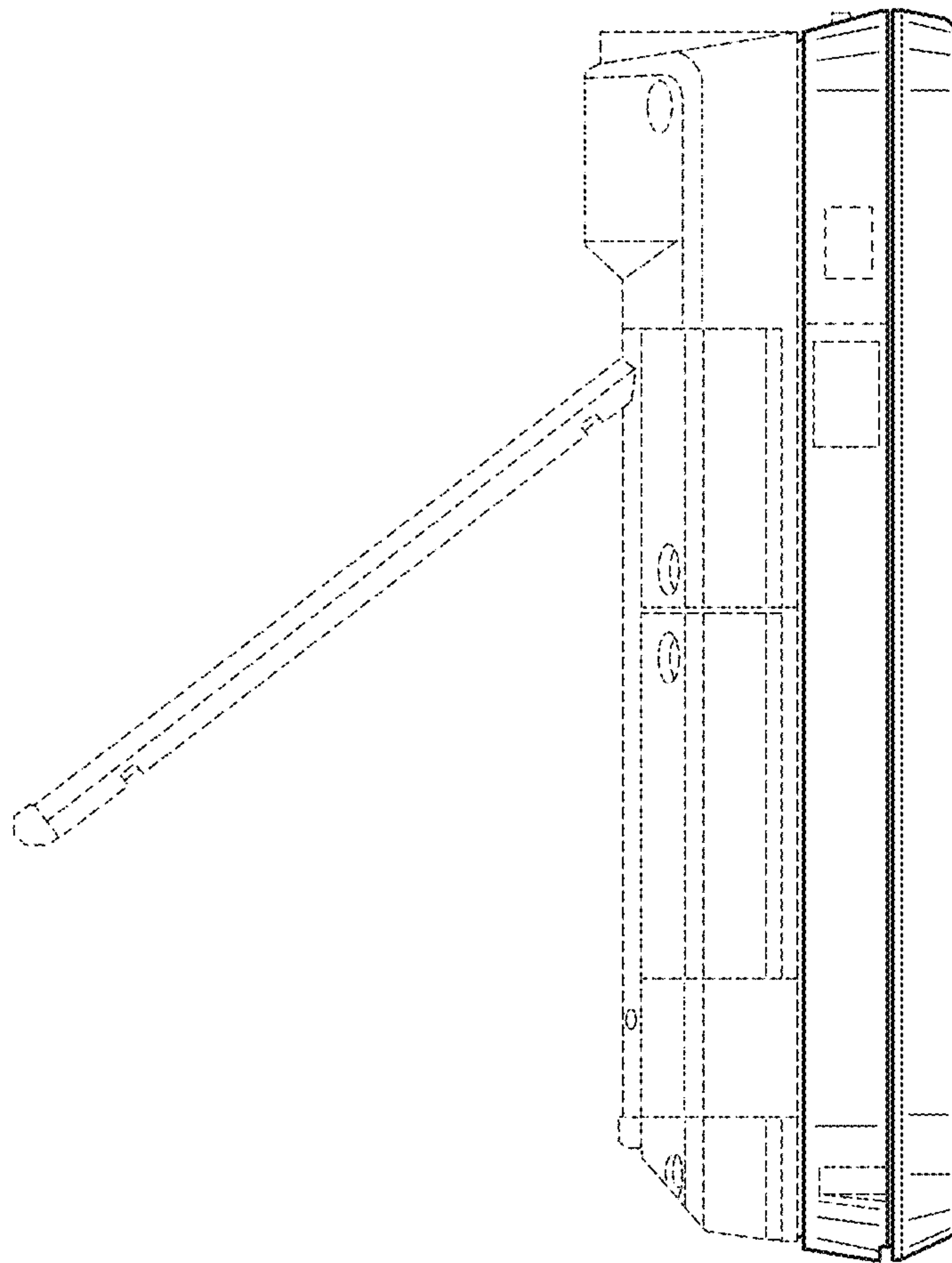


FIG. 12

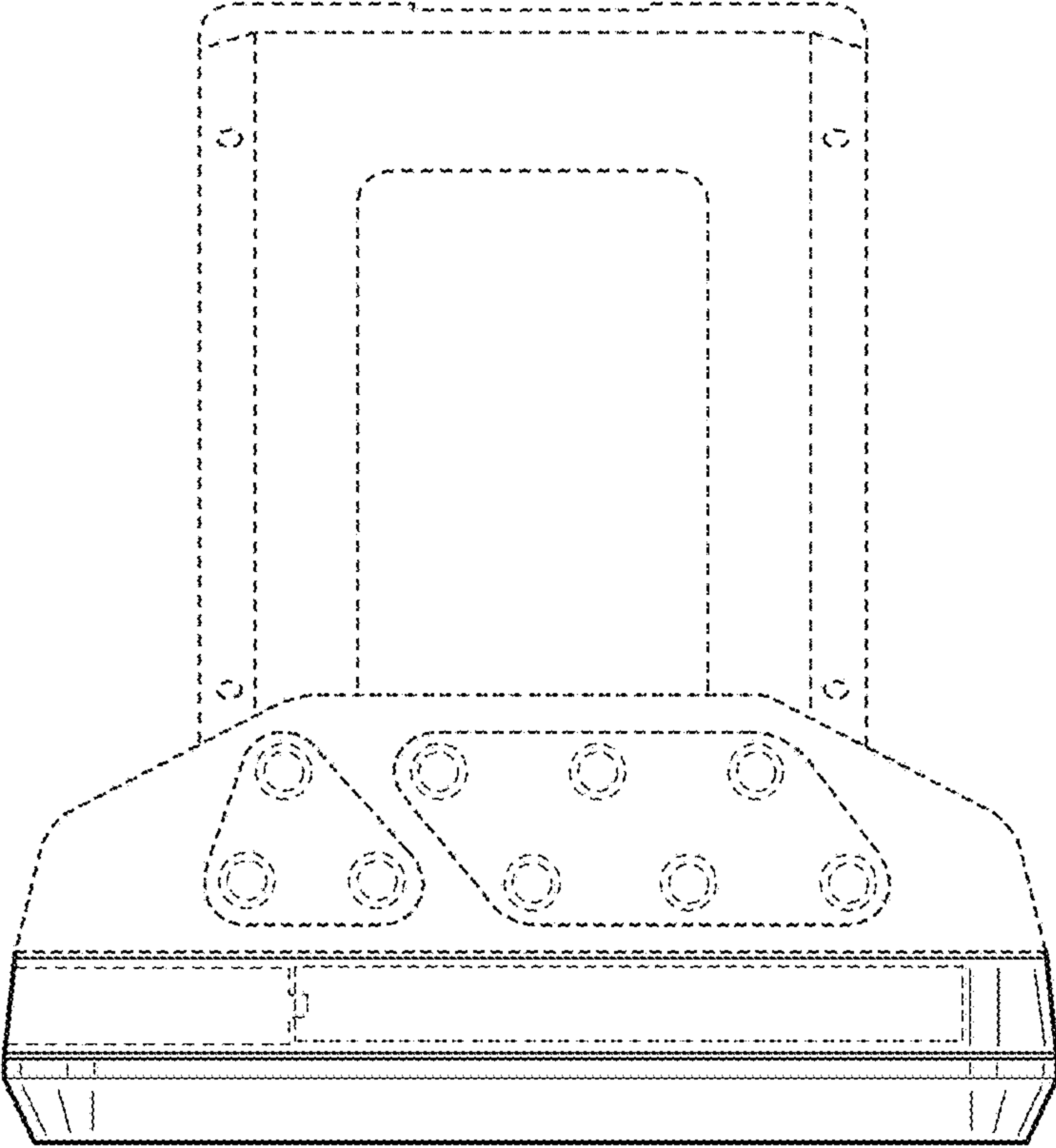


FIG. 13

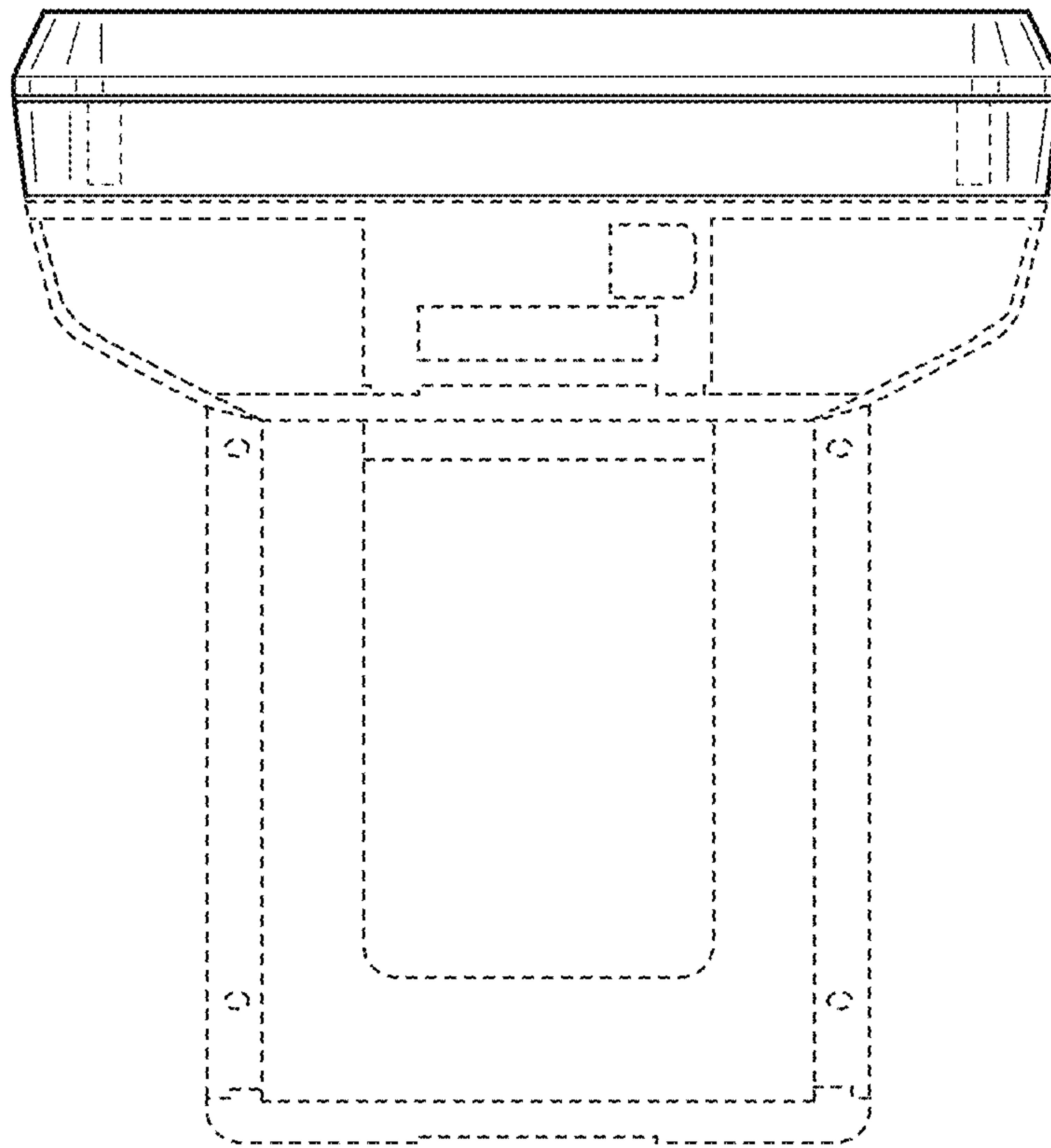


FIG. 14

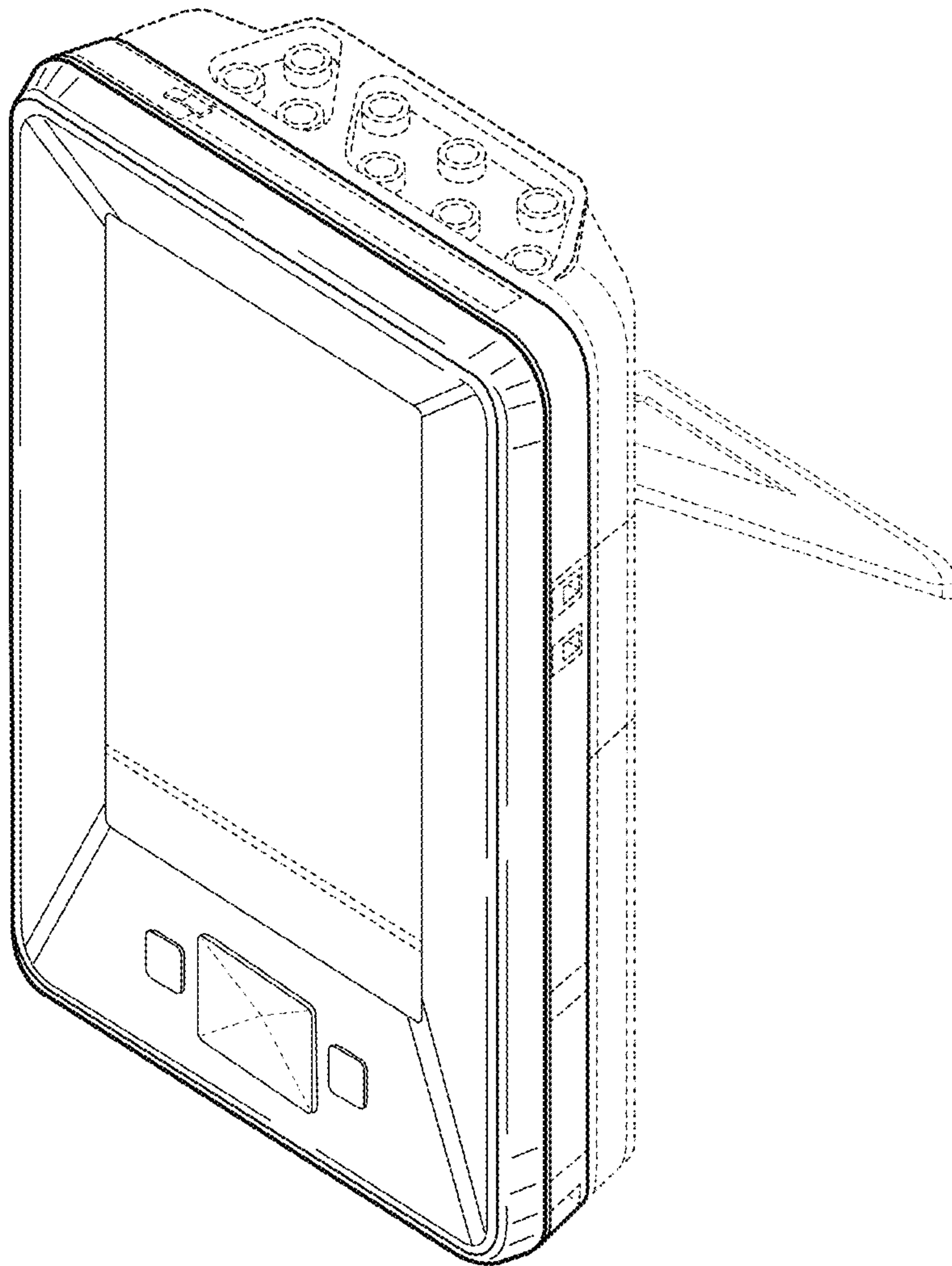


FIG. 15

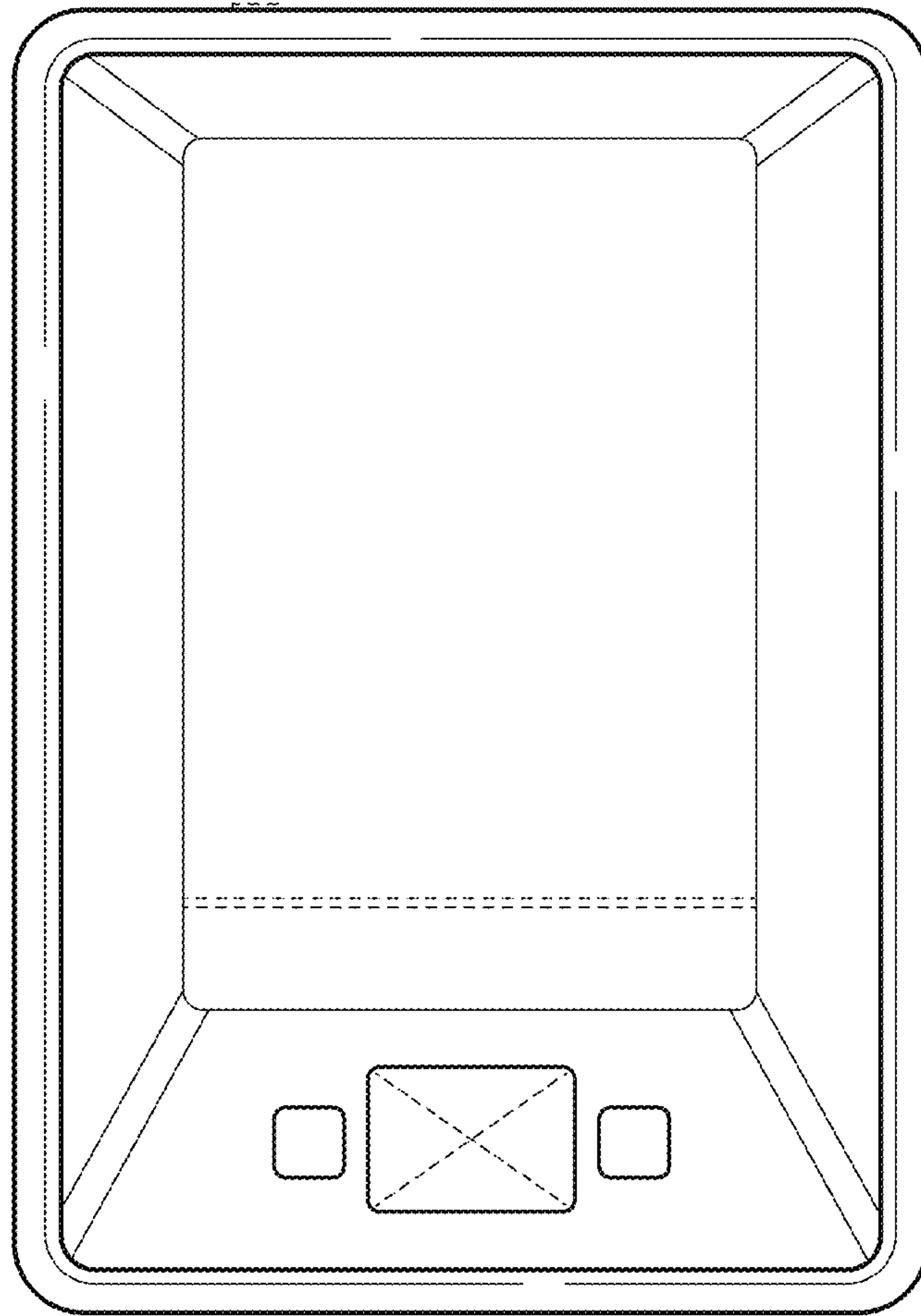


FIG. 16

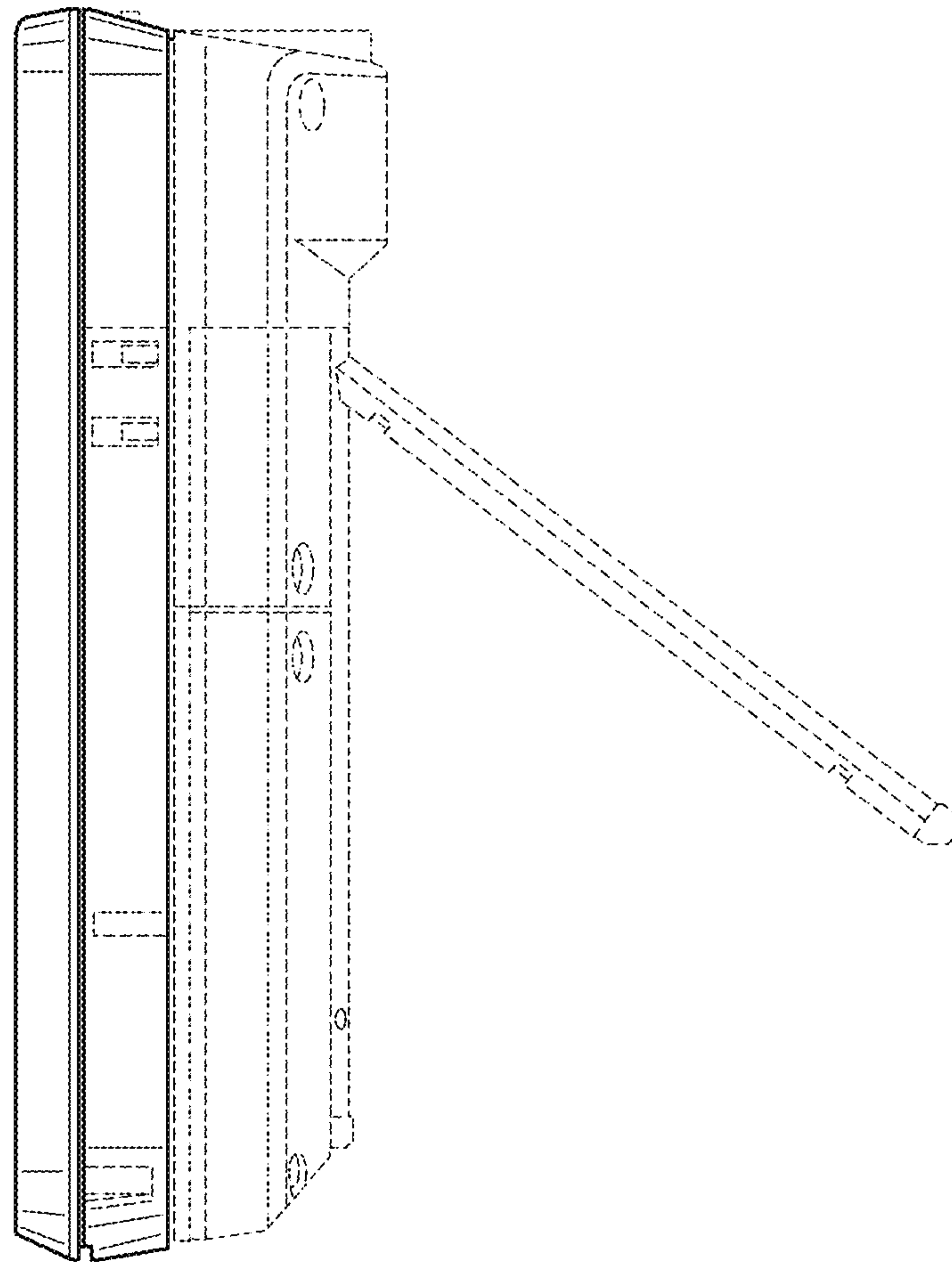


FIG. 17

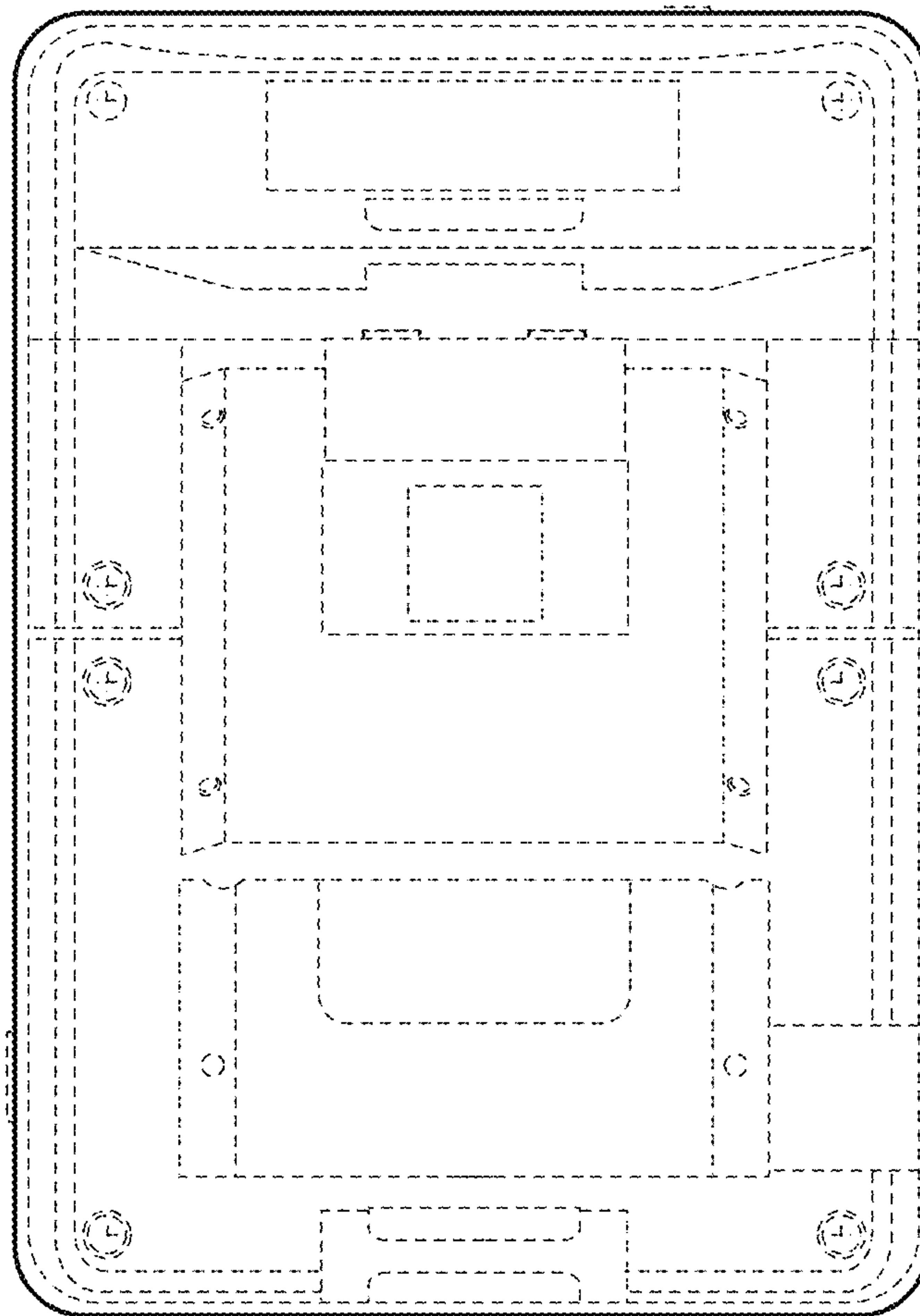


FIG. 18

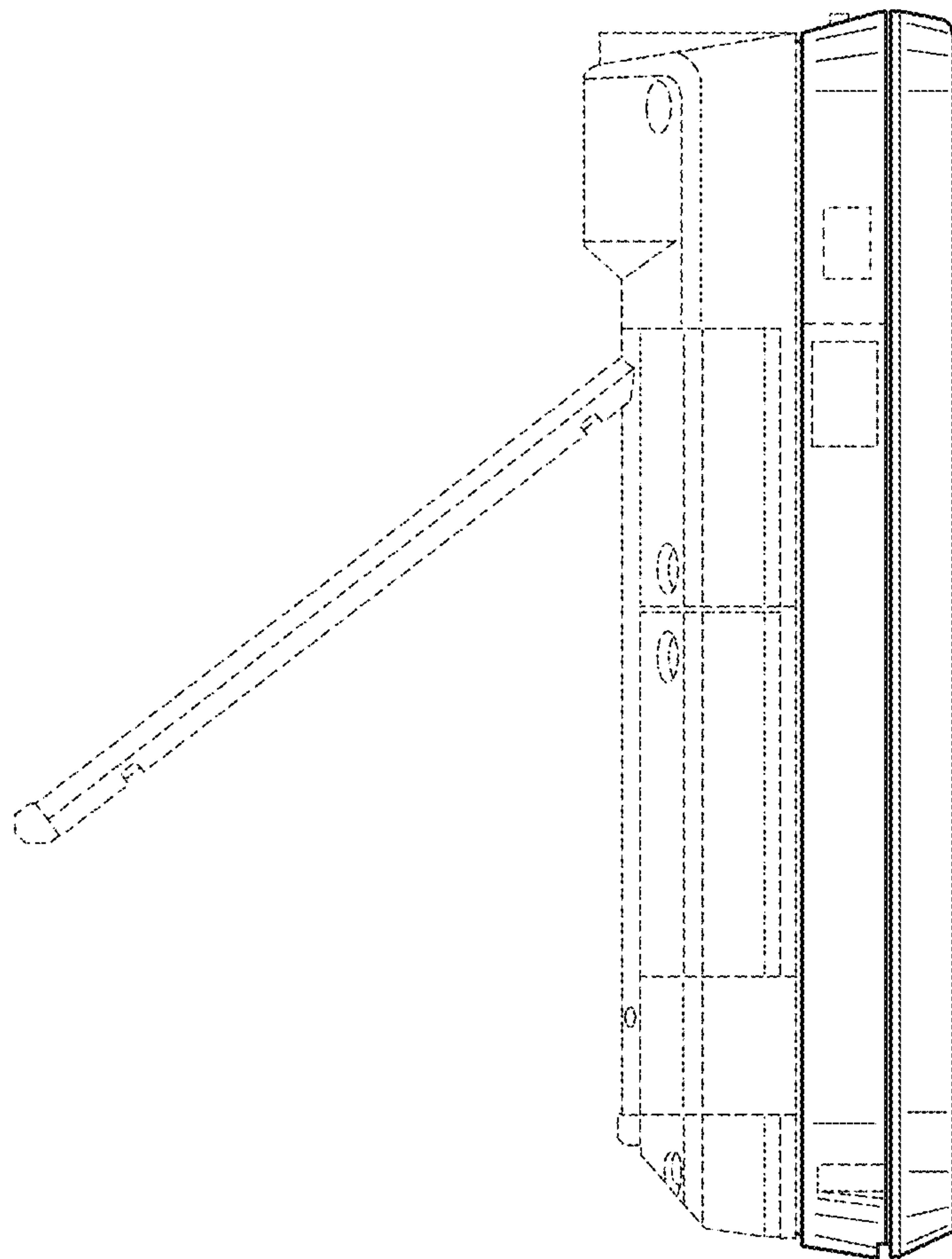


FIG. 19

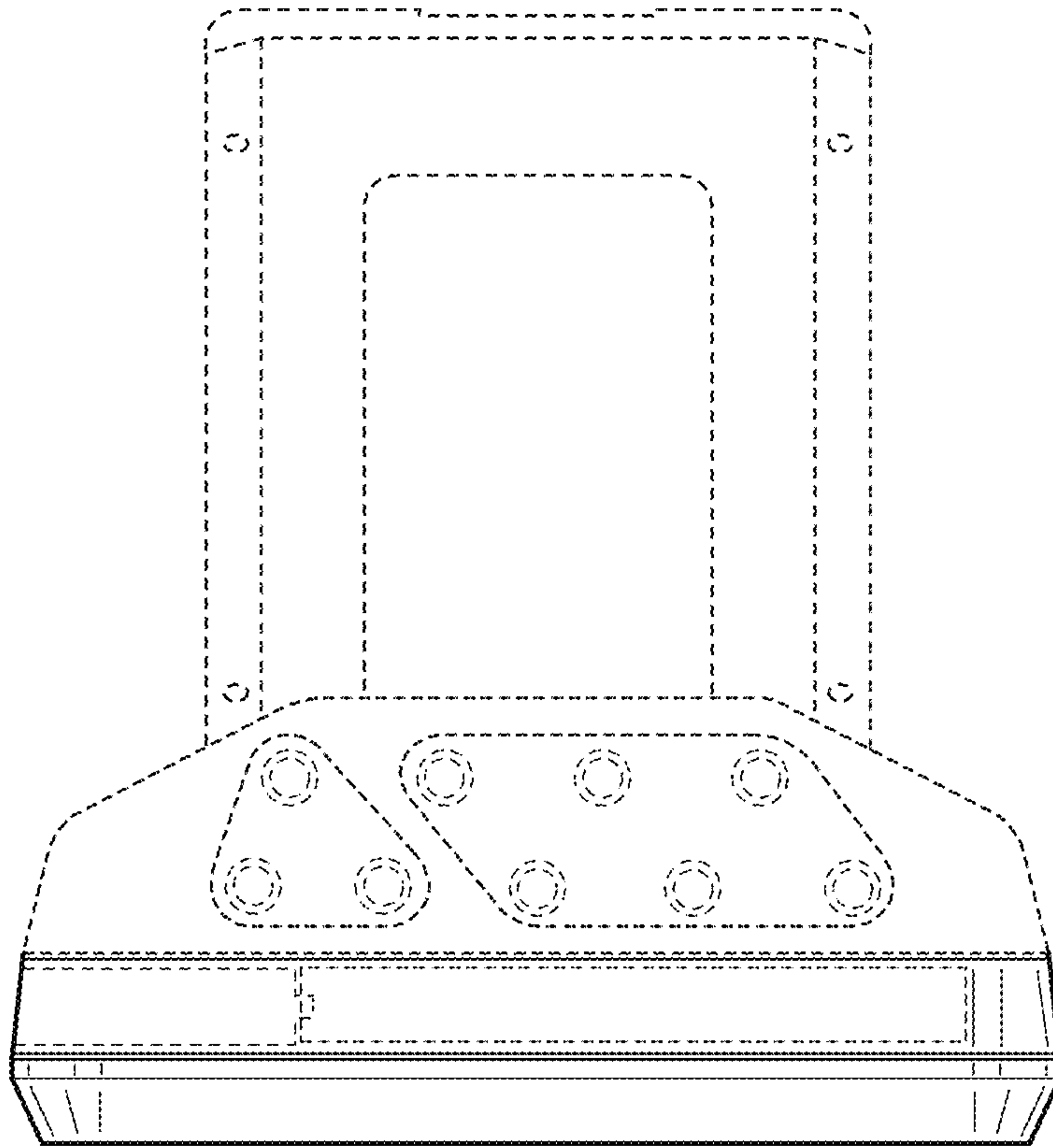


FIG. 20

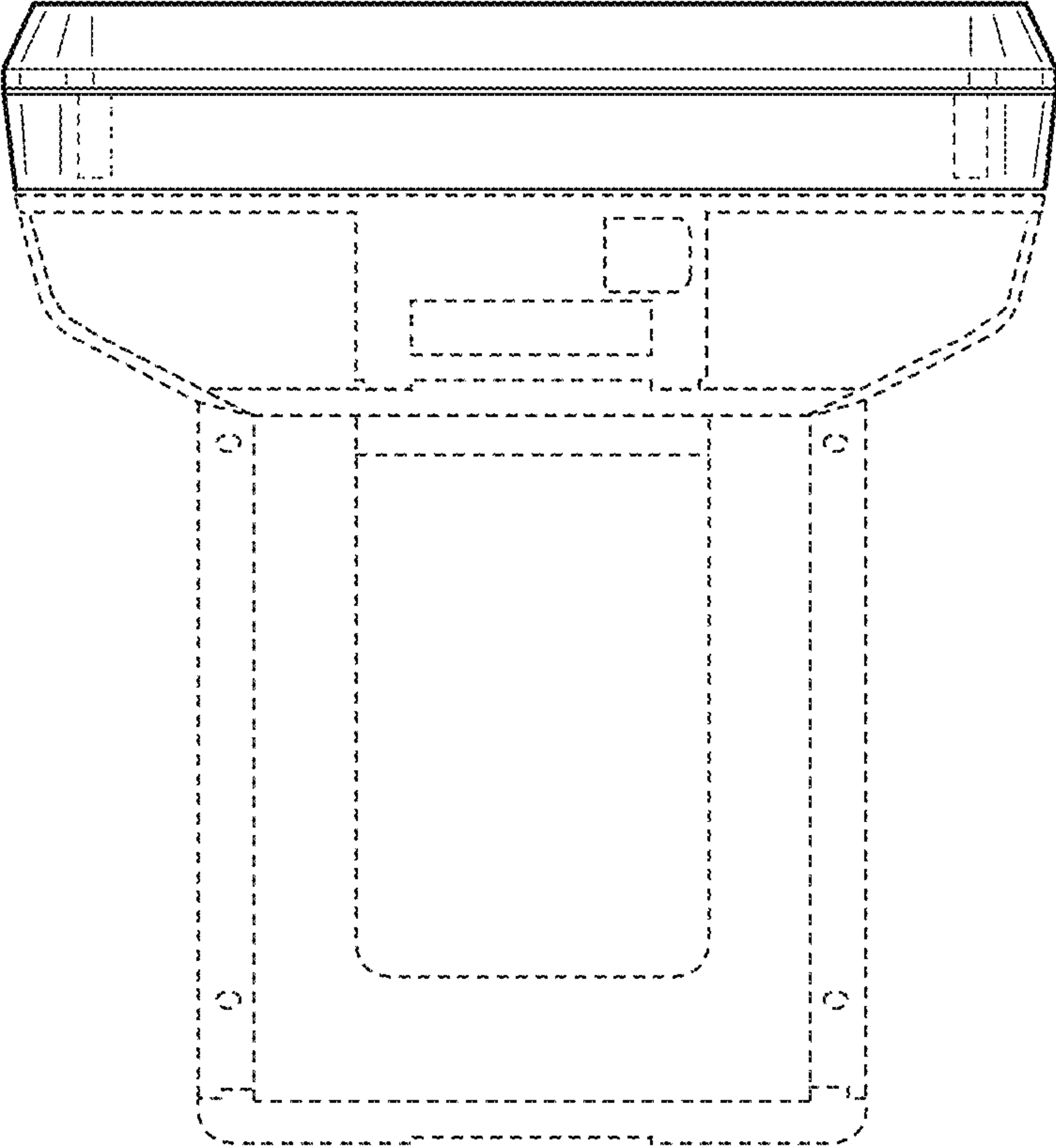


FIG. 21

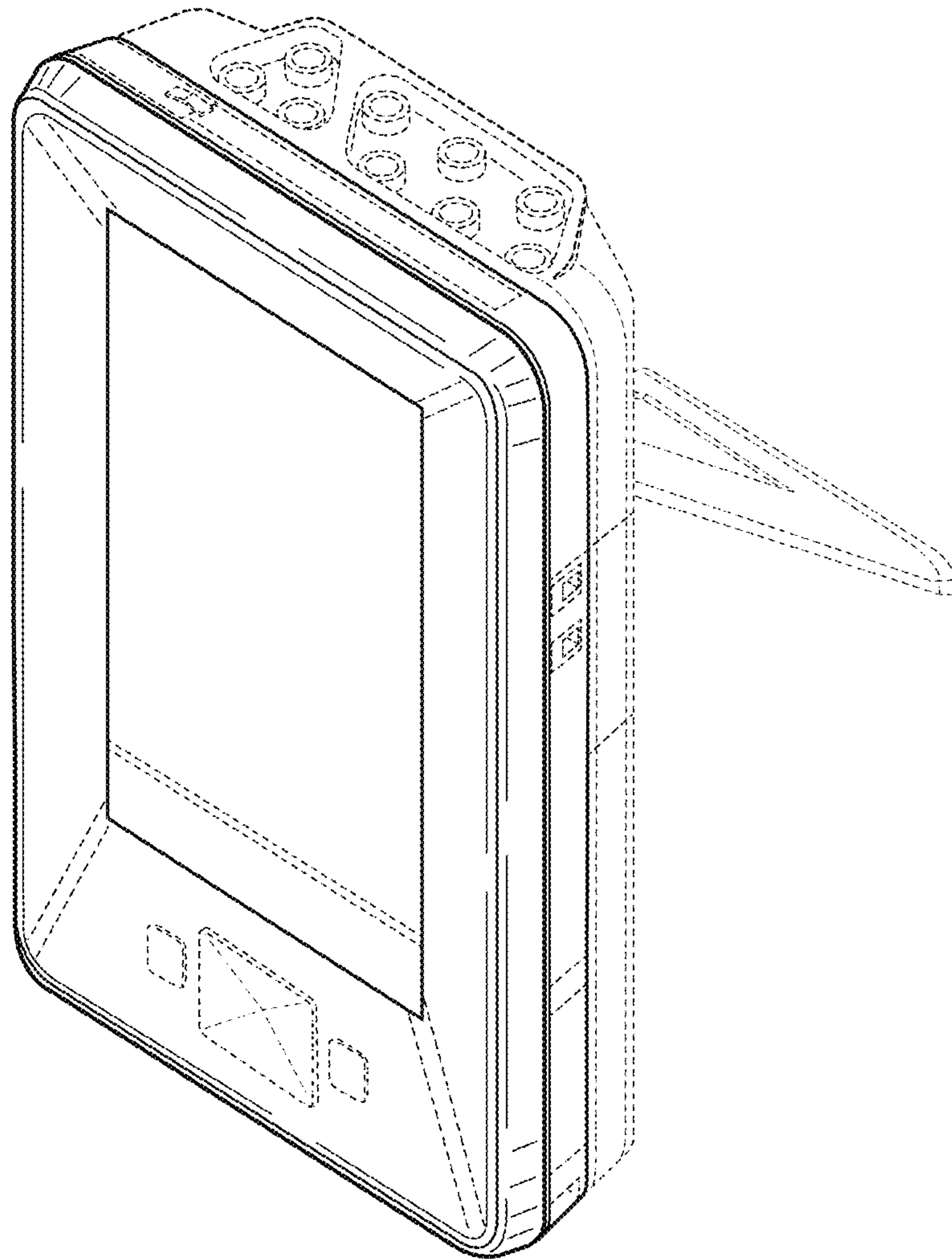


FIG. 22

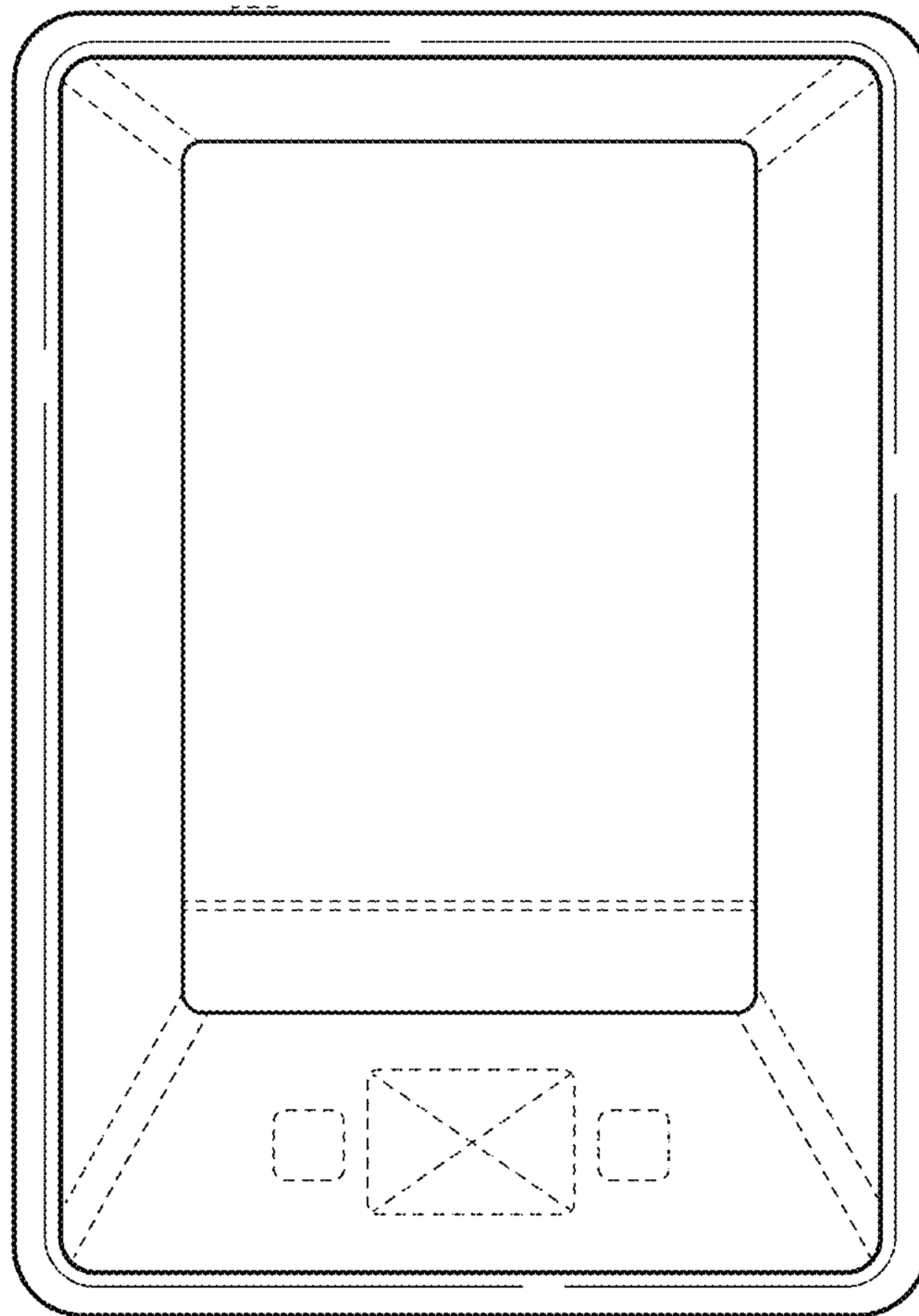


FIG. 23

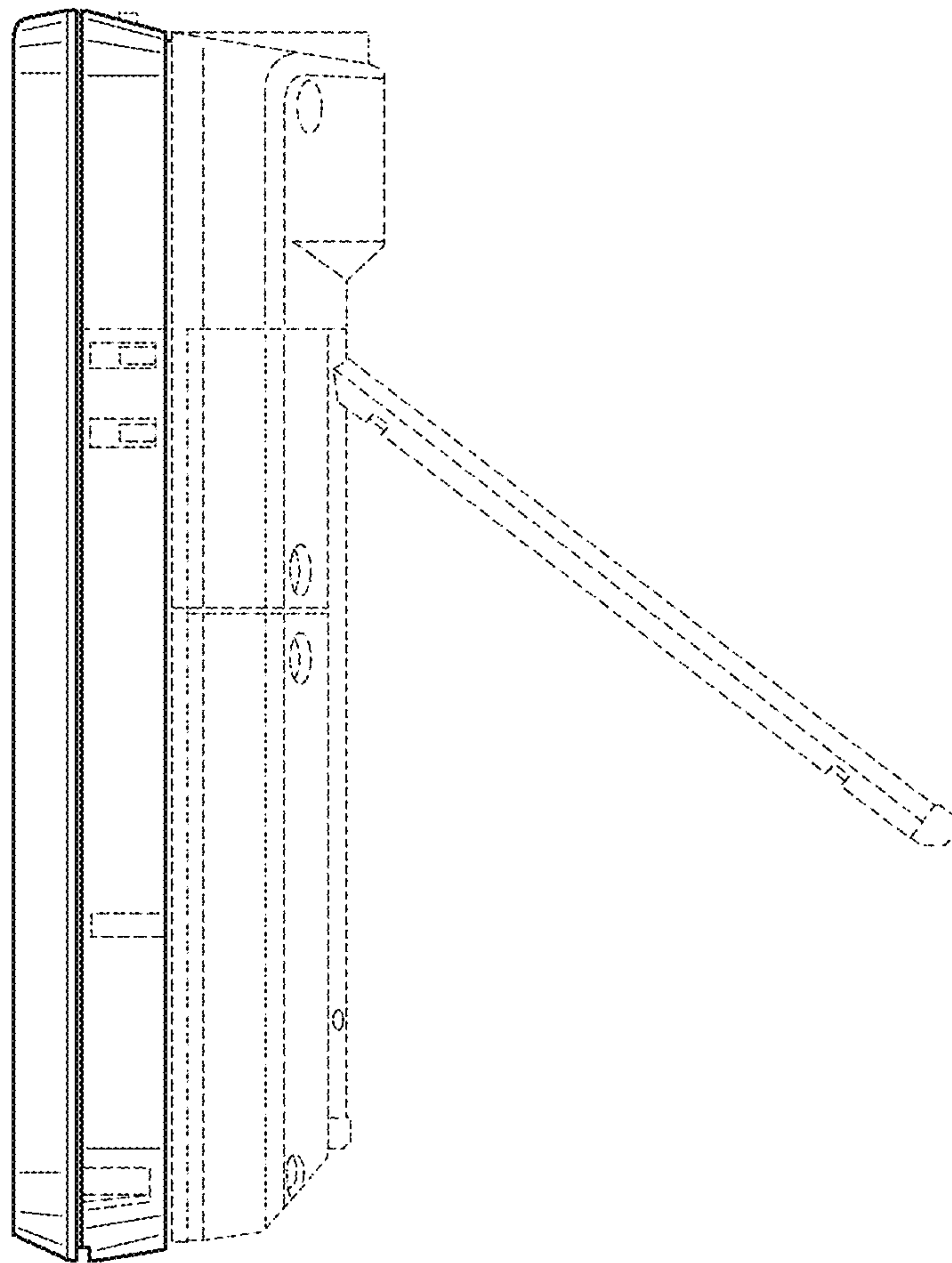


FIG. 24

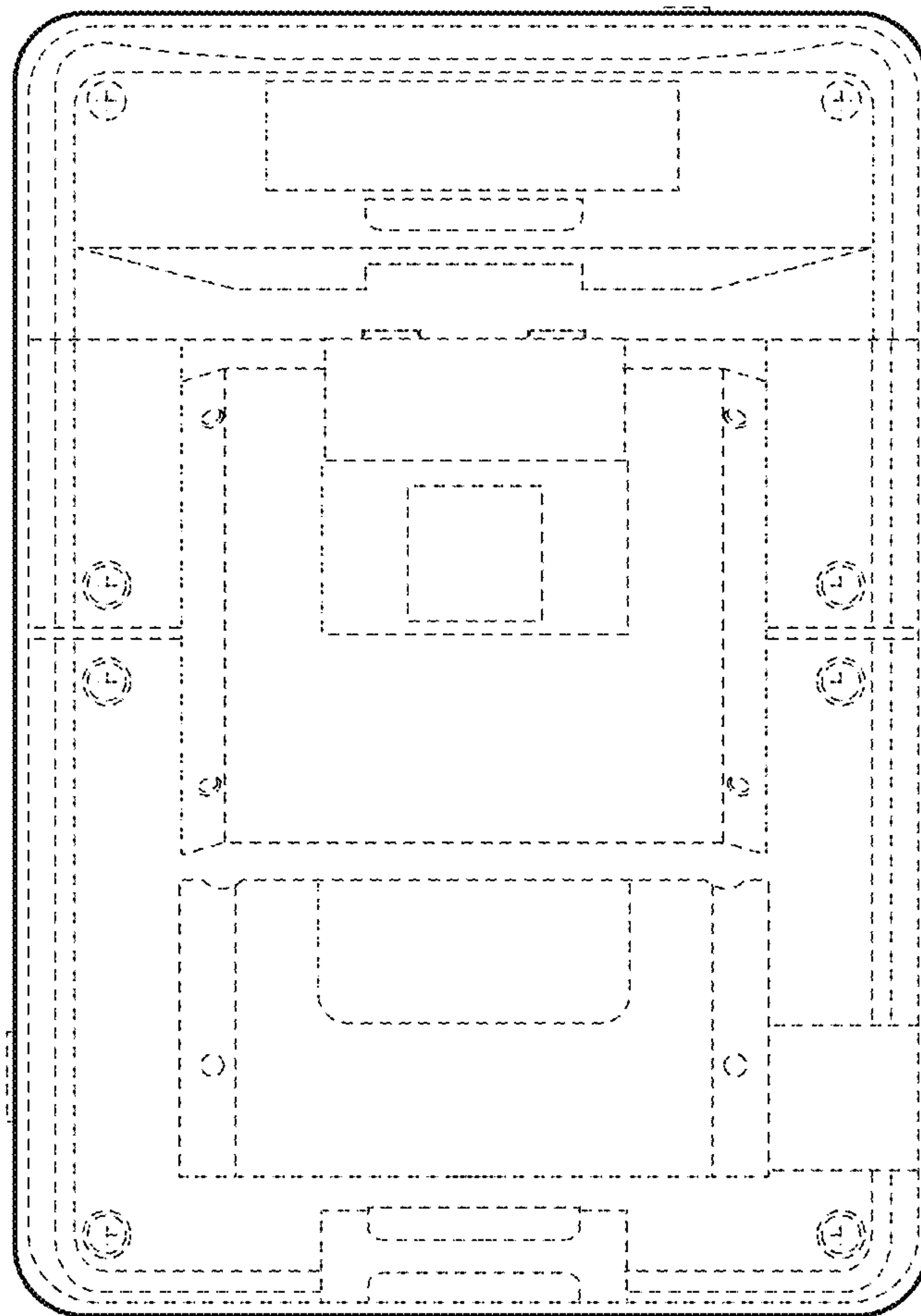


FIG. 25

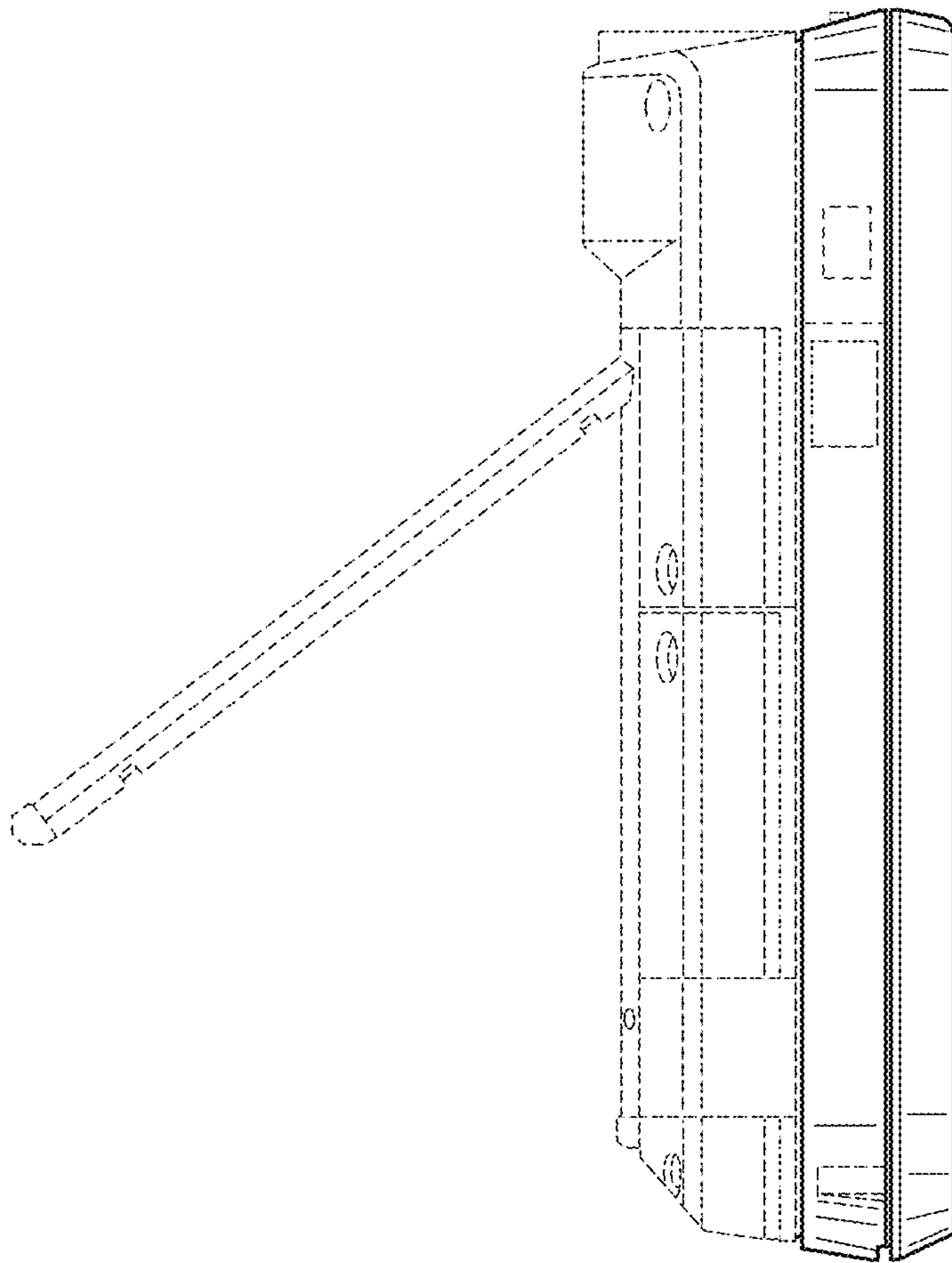


FIG. 26

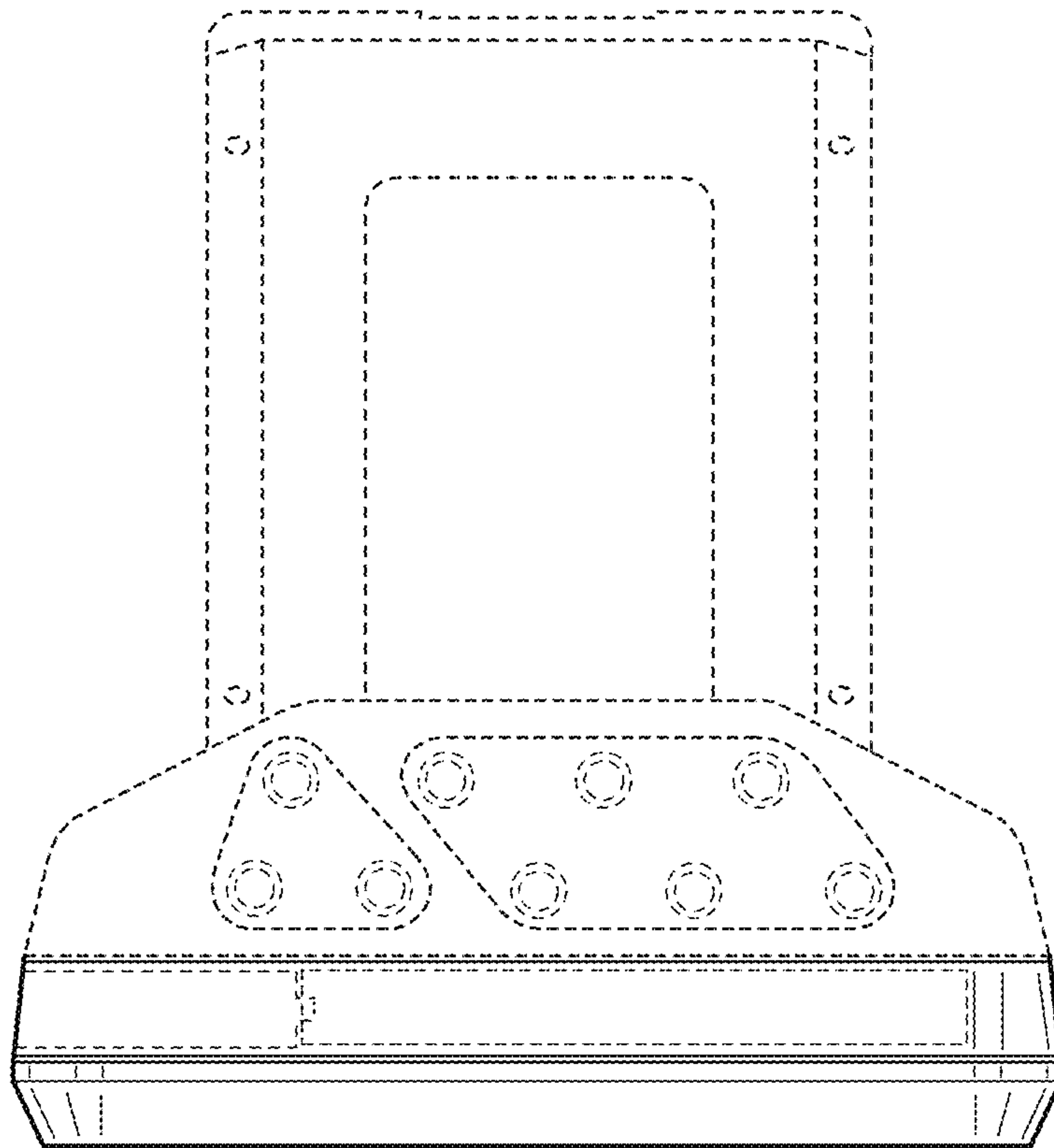


FIG. 27

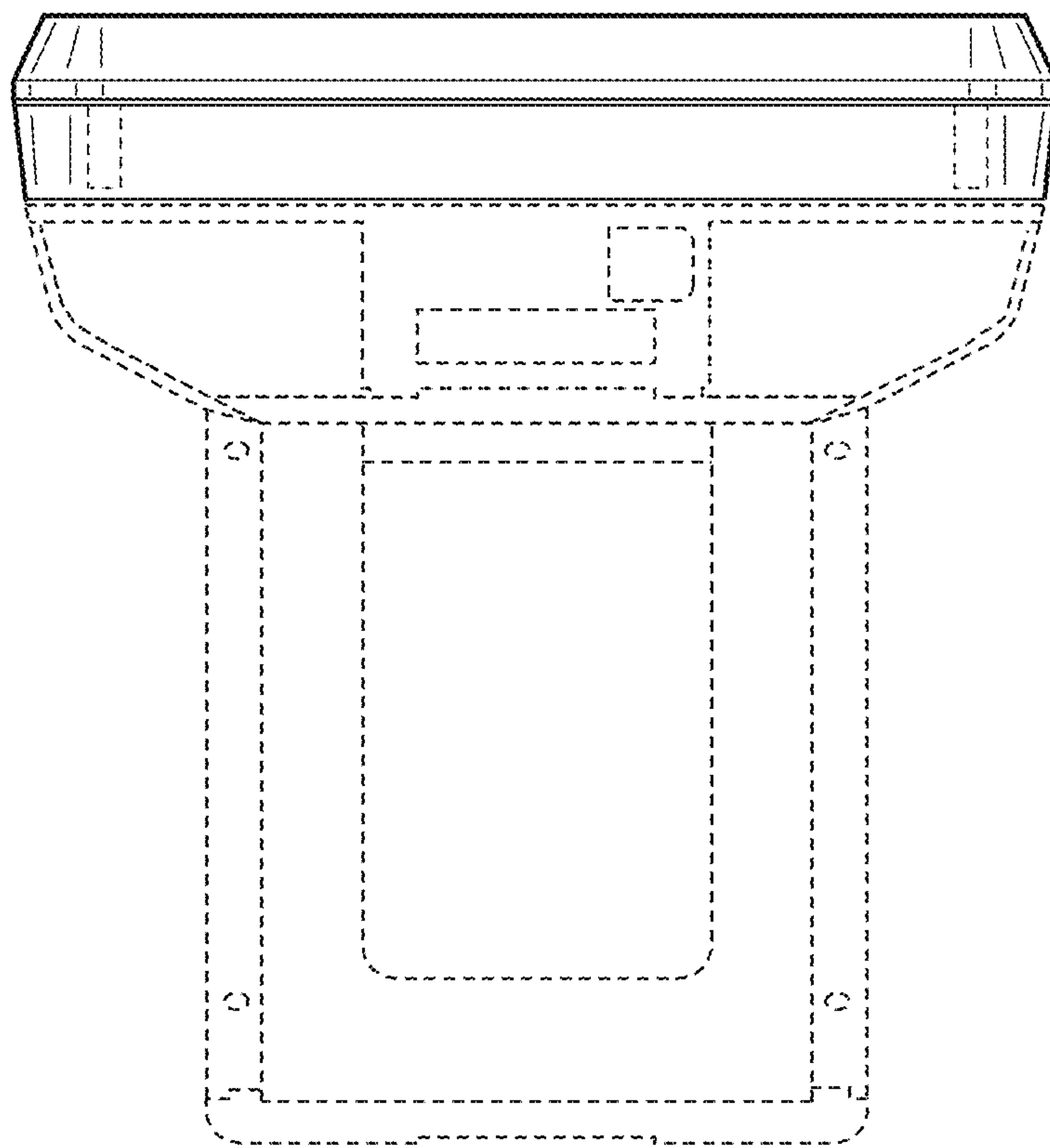


FIG. 28

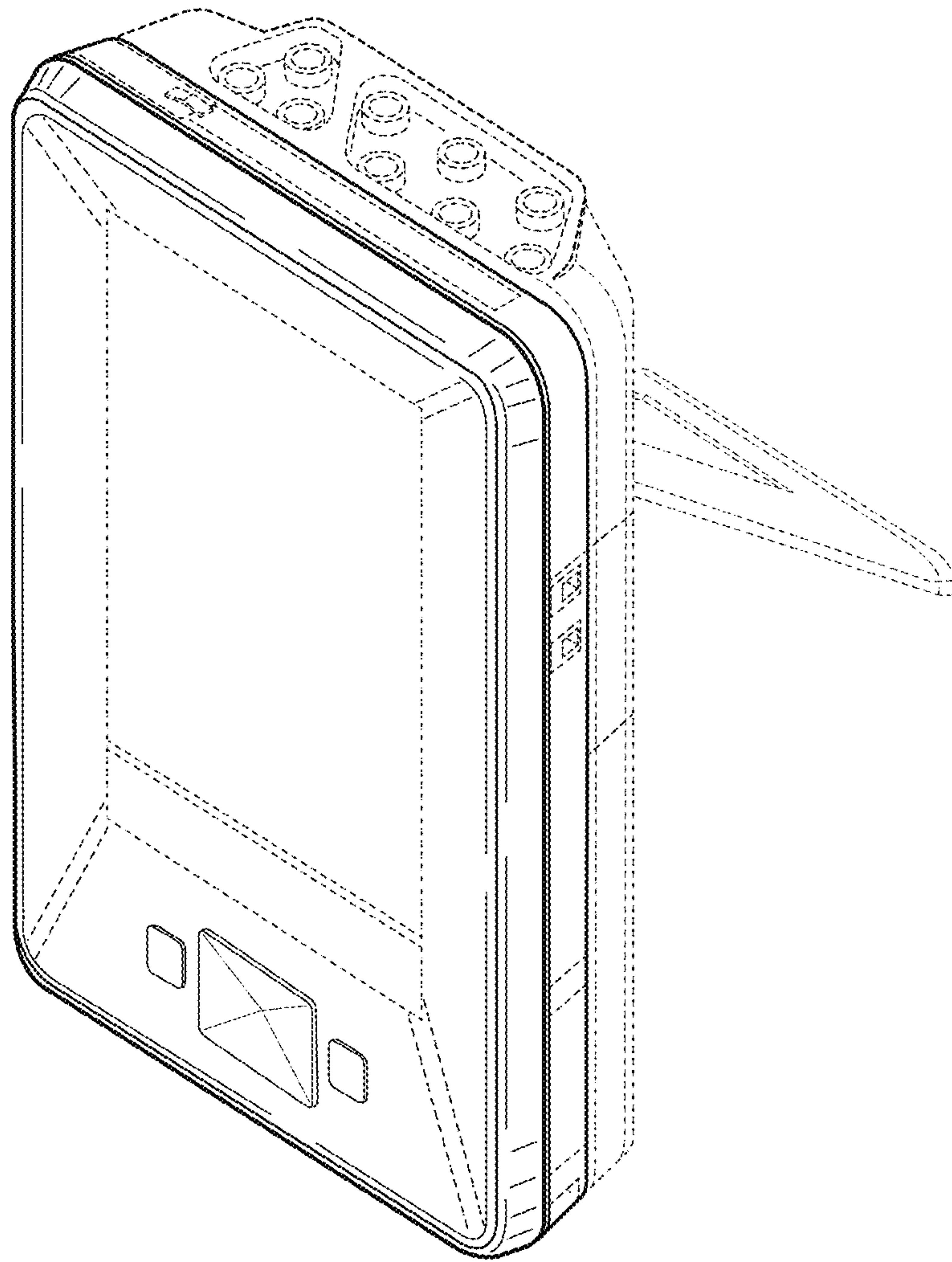


FIG. 29

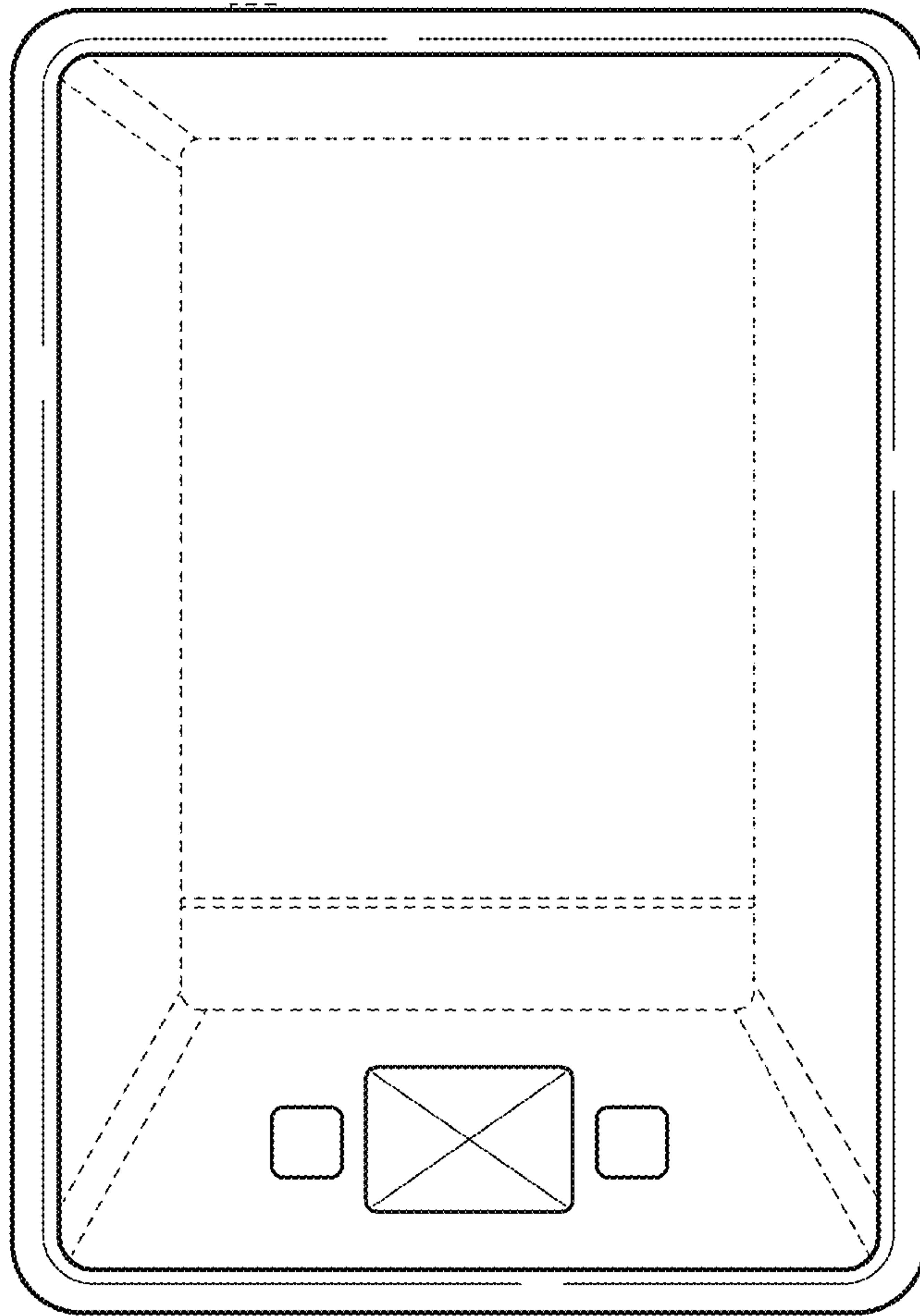


FIG. 30

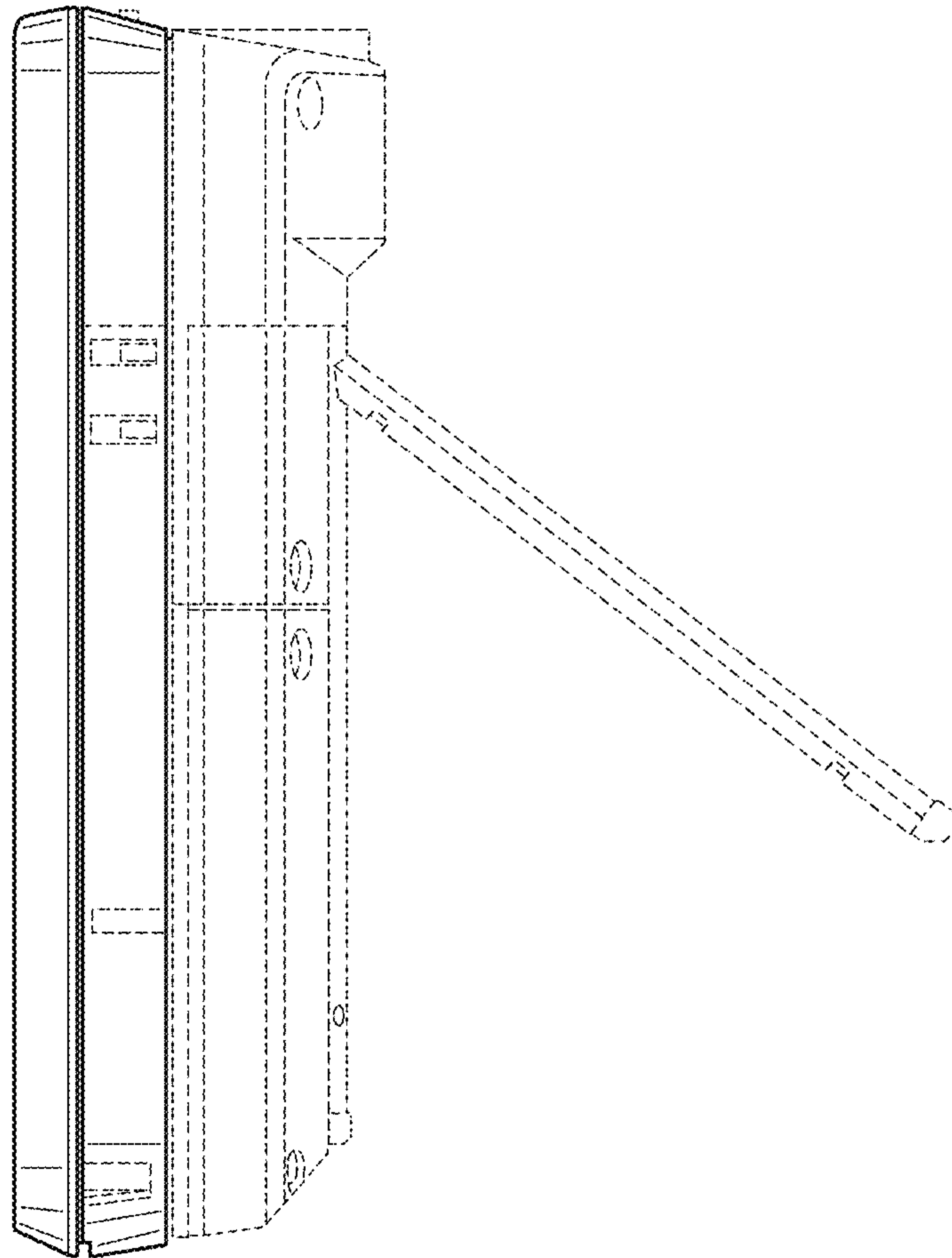


FIG. 31

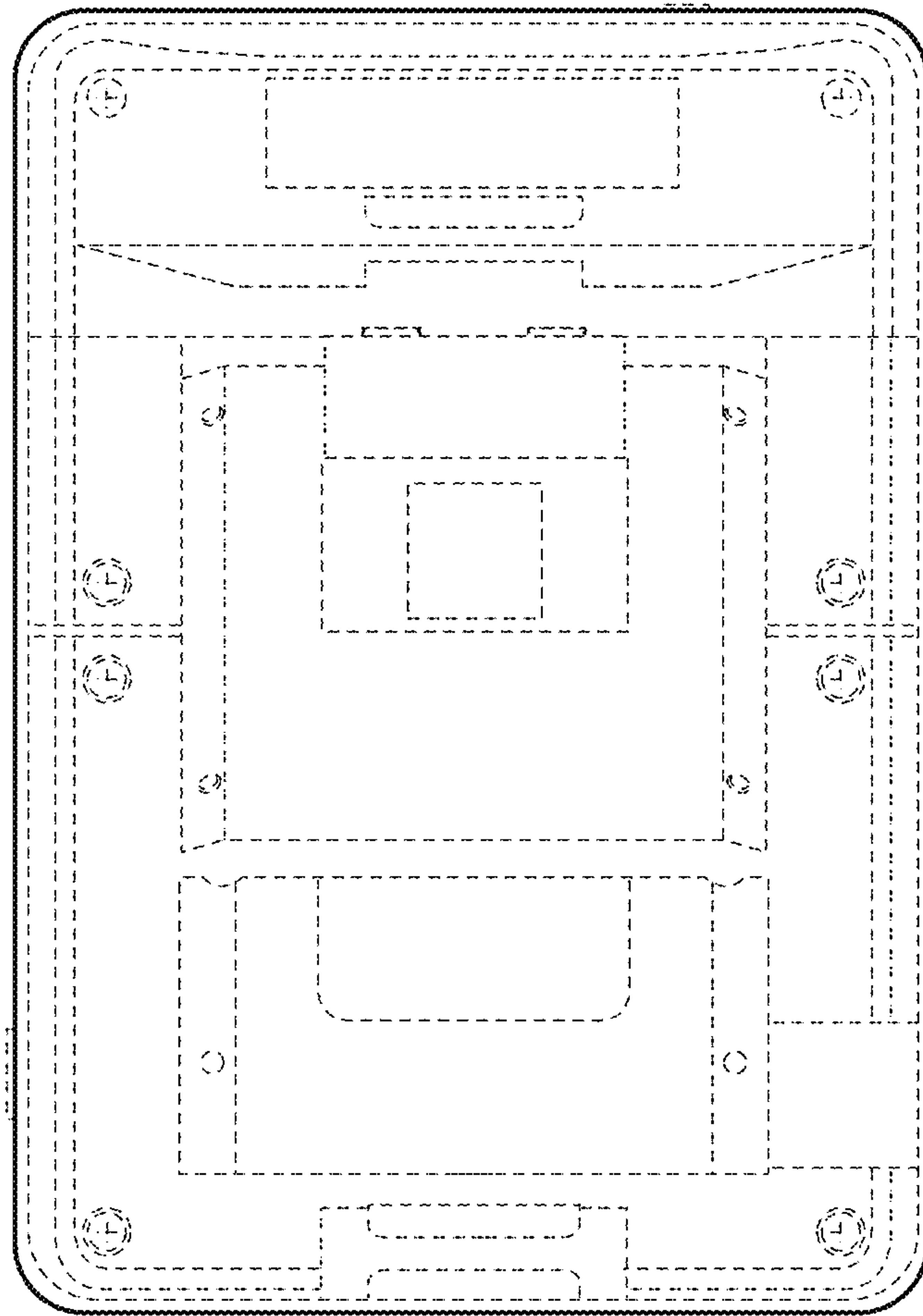


FIG. 32

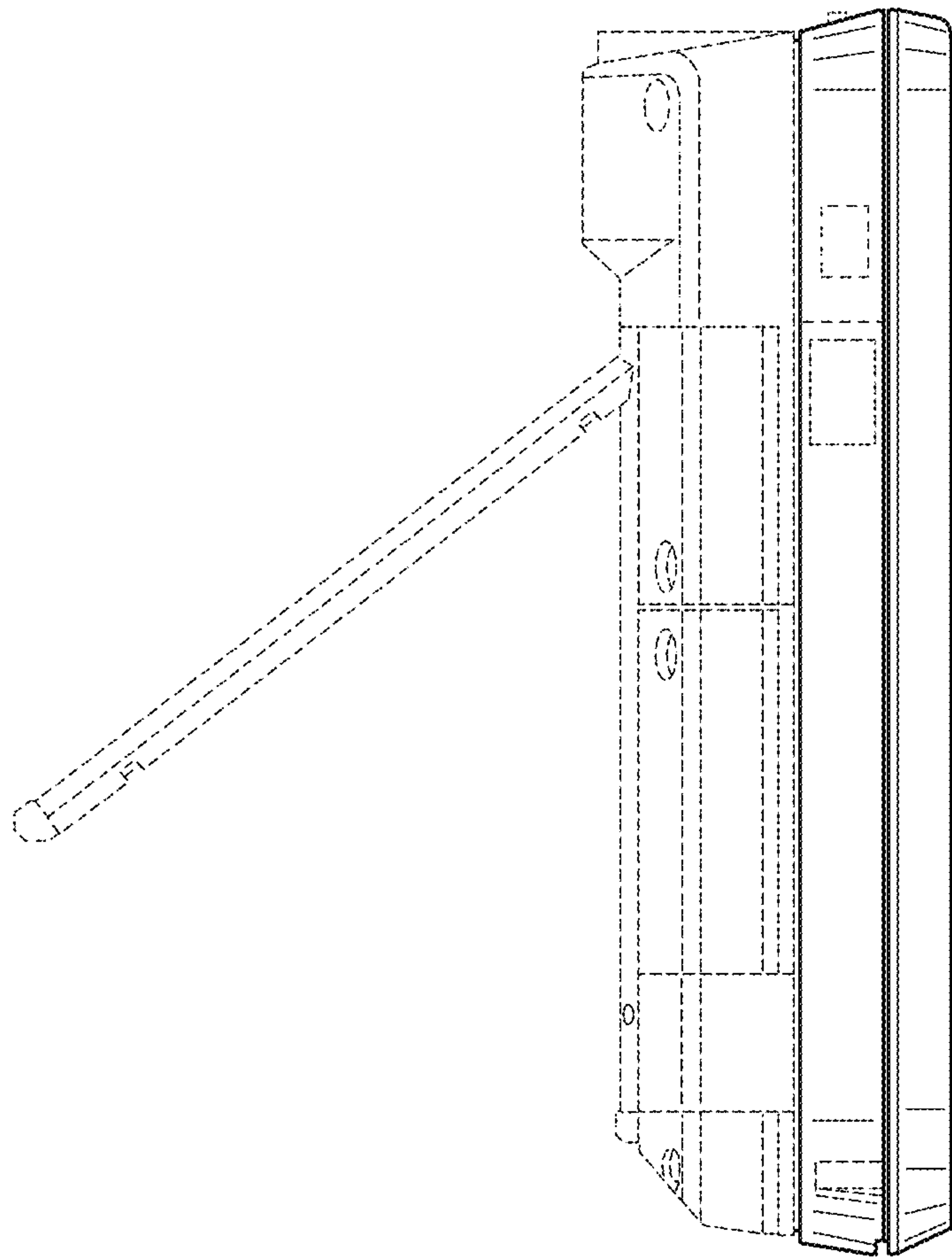


FIG. 33

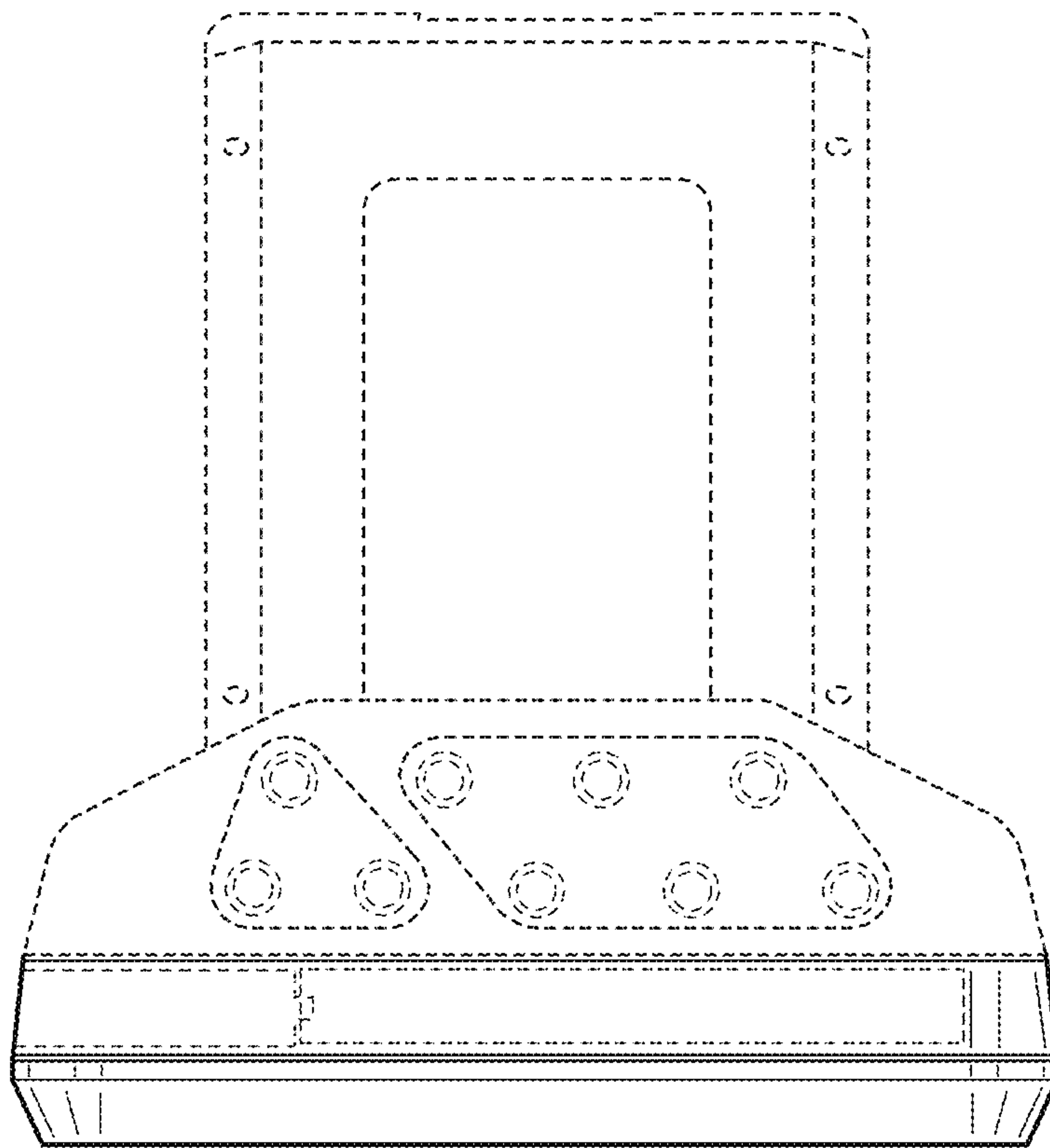


FIG. 34

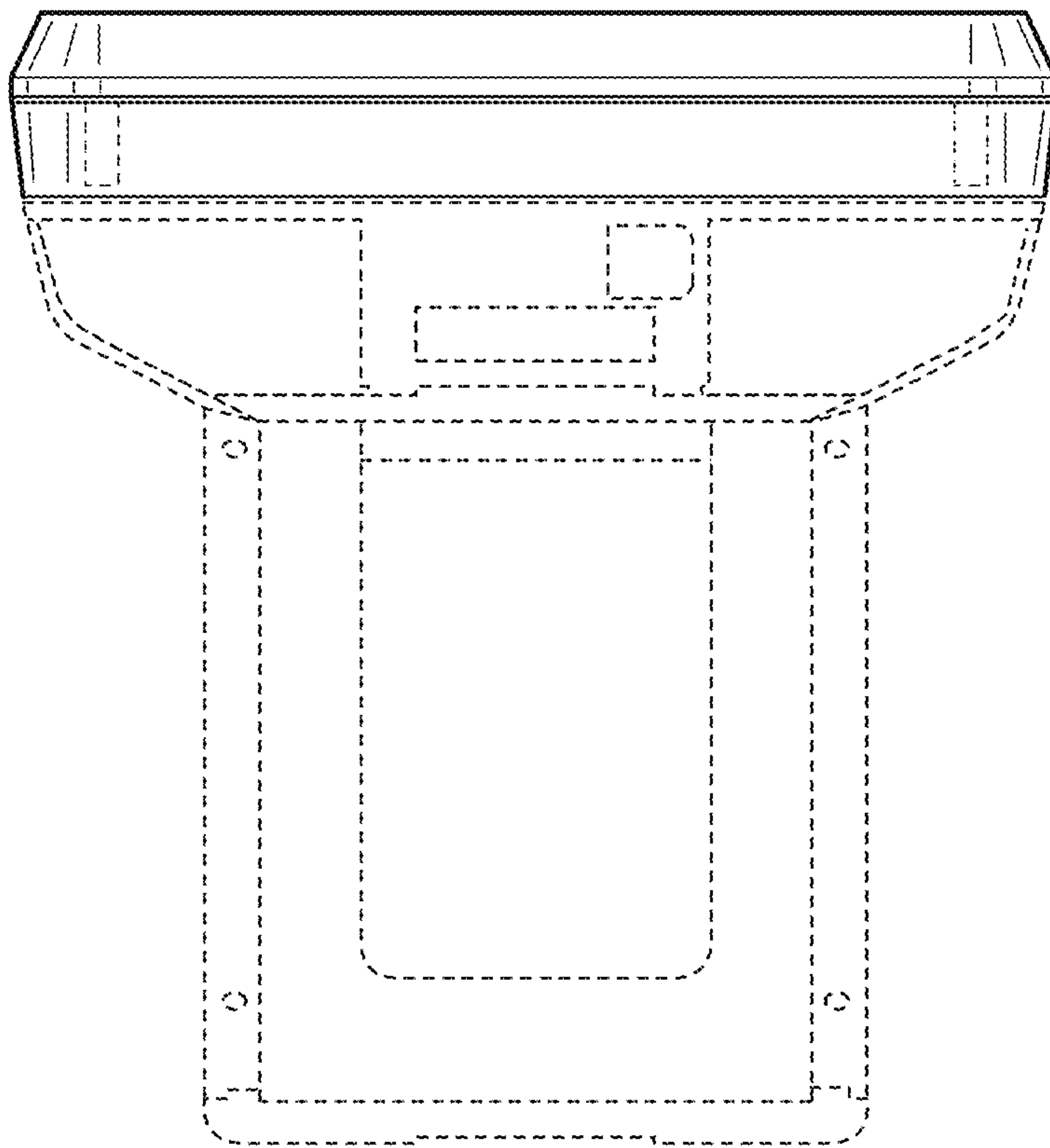


FIG. 35