



US00D818856S

(12) **United States Design Patent** (10) **Patent No.:** **US D818,856 S**  
**Laurino et al.** (45) **Date of Patent:** **\*\* May 29, 2018**

(54) **MAIN BODY FOR A DATA LOGGER**

(71) Applicant: **Fluke Corporation**, Everett, WA (US)

(72) Inventors: **Ferdinand Y. Laurino**, Seattle, WA (US); **Duncan Kearsley**, Stanwood, WA (US)

(73) Assignee: **Fluke Corporation**, Everett, WA (US)

(\*\*) Term: **15 Years**

(21) Appl. No.: **29/585,874**

(22) Filed: **Nov. 29, 2016**

**Related U.S. Application Data**

(62) Division of application No. 29/554,350, filed on Feb. 10, 2016, which is a division of application No. 29/522,929, filed on Apr. 3, 2015, now Pat. No. Des. 750,986, which is a division of application No. 29/444,908, filed on Feb. 5, 2013, now Pat. No. Des. 726,047.

(51) **LOC (11) Cl.** ..... **10-04**

(52) **U.S. Cl.**  
USPC ..... **D10/78**

(58) **Field of Classification Search**  
USPC ..... D10/65, 78, 104, 104.1, 105.1, 106.1; D13/73, 103, 108, 110, 139.1-139.7, 147, D13/158, 171, 184, 199; D14/100, 106, D14/107, 114, 138 G, 155, 168, 188, D14/203.3, 217, 240, 242  
CPC ..... G06K 1/002; G06K 11/00; G01R 1/00; G01R 15/00

See application file for complete search history.

(56) **References Cited**

**U.S. PATENT DOCUMENTS**

D382,253 S 8/1997 Claxton et al.  
D383,400 S 9/1997 Wada  
D404,761 S 1/1999 Tarpenning et al.

D422,995 S 4/2000 Dow et al.  
D430,048 S 8/2000 Hoofnagle et al.  
D444,085 S \* 6/2001 Wrisley ..... D10/78  
D460,925 S 7/2002 Arnoux et al.  
D474,413 S 5/2003 Hoofnagle et al.

(Continued)

**FOREIGN PATENT DOCUMENTS**

EM 001213771-0003 8/2010  
EM 002080465-0001 8/2012

**OTHER PUBLICATIONS**

“First-of-a-Kind, Handheld Device Brings Magic of Disney Theme Parks to Guests with Disabilities,” <<http://www.laughingplace.com/News-ID10033710.asp>> Apr. 20, 2009 [retrieved Jan. 31, 2014], 1 page.

(Continued)

*Primary Examiner* — Deanna L Pratt  
(74) *Attorney, Agent, or Firm* — Seed IP Law Group LLP

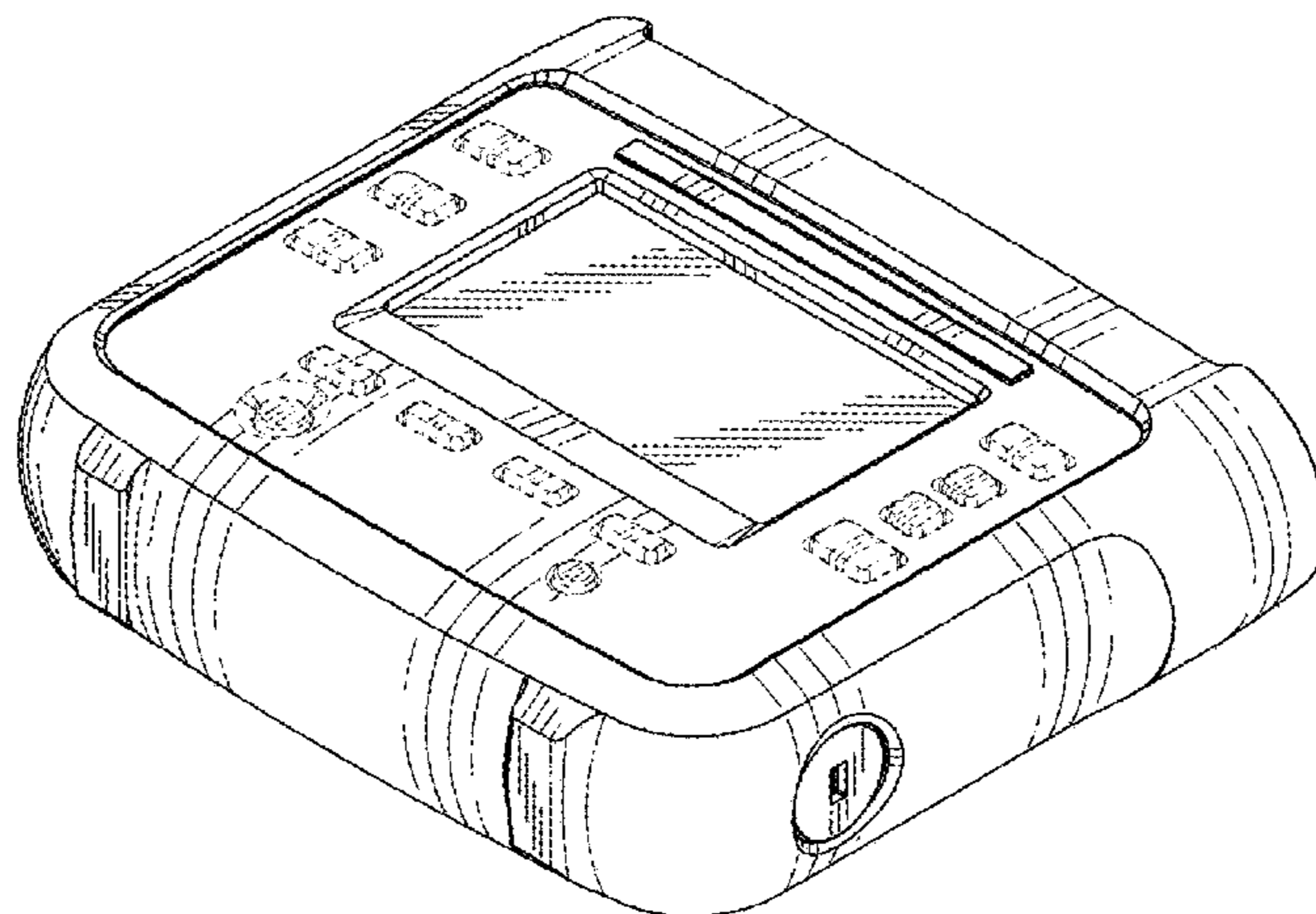
(57) **CLAIM**

The ornamental design for a main body for a data logger, as shown and described.

**DESCRIPTION**

FIG. 1 is a front top right perspective view of a main body for a data logger showing our new design.  
FIG. 2 is a front bottom left perspective view thereof.  
FIG. 3 is a back top perspective view thereof.  
FIG. 4 is a front elevation view thereof.  
FIG. 5 is a back elevation view thereof.  
FIG. 6 is a top plan view thereof.  
FIG. 7 is a bottom plan view thereof.  
FIG. 8 is a right side elevation view thereof; and,  
FIG. 9 is a left side elevation view thereof.  
The broken lines in the drawings illustrate portions of the main body for a data logger that form no part of the claimed design.

**1 Claim, 6 Drawing Sheets**



(56)

References Cited

U.S. PATENT DOCUMENTS

6,738,454 B2 \* 5/2004 Mohammadian ..... H04M 1/24  
379/1.01

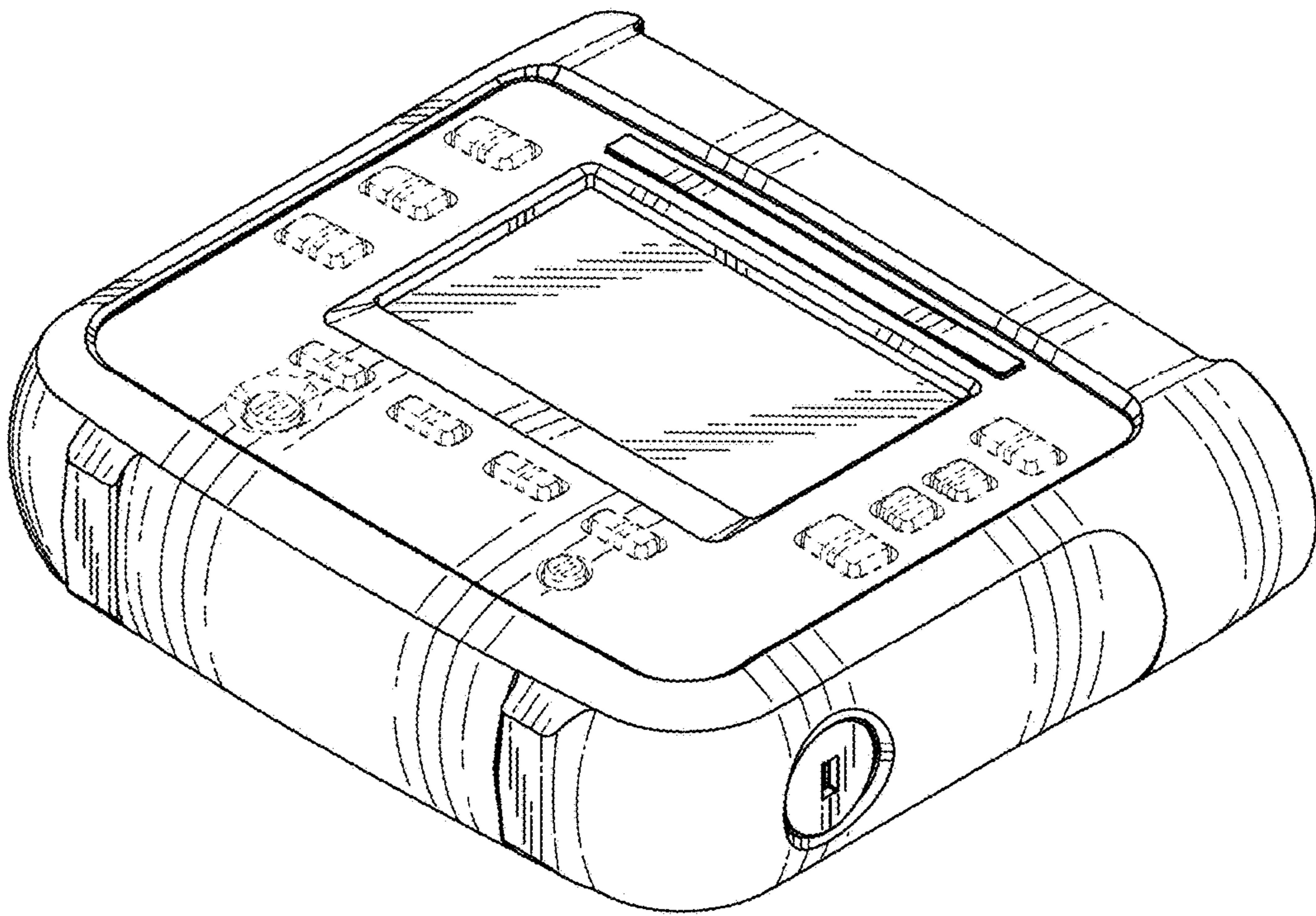
D507,979 S 8/2005 Robinson et al.  
D515,951 S 2/2006 Clark  
D541,798 S 5/2007 Ichida et al.  
D545,784 S 7/2007 Dayan  
D551,664 S 9/2007 Lin et al.  
D552,323 S 10/2007 Perrier et al.  
D559,859 S 1/2008 Kim  
D572,615 S 7/2008 Gerold  
D642,942 S 8/2011 Laurino et al.  
D649,893 S 12/2011 Beeke  
D652,747 S \* 1/2012 Ferris ..... D10/49  
D660,190 S 5/2012 Laurino et al.  
D668,649 S 10/2012 Burke et al.  
D677,184 S 3/2013 Kluser et al.  
D685,914 S 7/2013 Corrigan et al.  
D688,144 S 8/2013 Svard et al.  
D691,131 S 10/2013 Brown et al.  
D719,472 S 12/2014 Sakaue et al.  
D721,290 S 1/2015 Varacca  
D723,550 S 3/2015 Krueger et al.  
D724,455 S 3/2015 Plangger et al.  
D724,963 S 3/2015 Ambrose  
D726,044 S 4/2015 Endo et al.  
D726,047 S 4/2015 Laurino et al.

D726,647 S \* 4/2015 Laurino ..... D13/103  
D730,847 S 6/2015 Weiss  
D731,340 S 6/2015 Laurino et al.  
D741,730 S 10/2015 Crees et al.  
D750,508 S 3/2016 Bowman et al.  
D750,986 S 3/2016 Laurino et al.  
D752,459 S 3/2016 Elrod et al.  
D764,328 S \* 8/2016 Lafrance ..... D10/75  
D766,192 S \* 9/2016 Daubenmerkl ..... D13/162  
D768,586 S \* 10/2016 Christianson ..... D10/106.1  
D770,313 S \* 11/2016 Turcotte ..... D10/49  
D782,972 S \* 4/2017 Laurino ..... D13/103  
D788,613 S \* 6/2017 Piras ..... D10/78  
D790,997 S \* 7/2017 Dewey ..... D10/46  
2010/0181990 A1 7/2010 Hudson et al.  
2011/0074395 A1 3/2011 Marzynski et al.  
2014/0036065 A1 2/2014 Oakley et al.

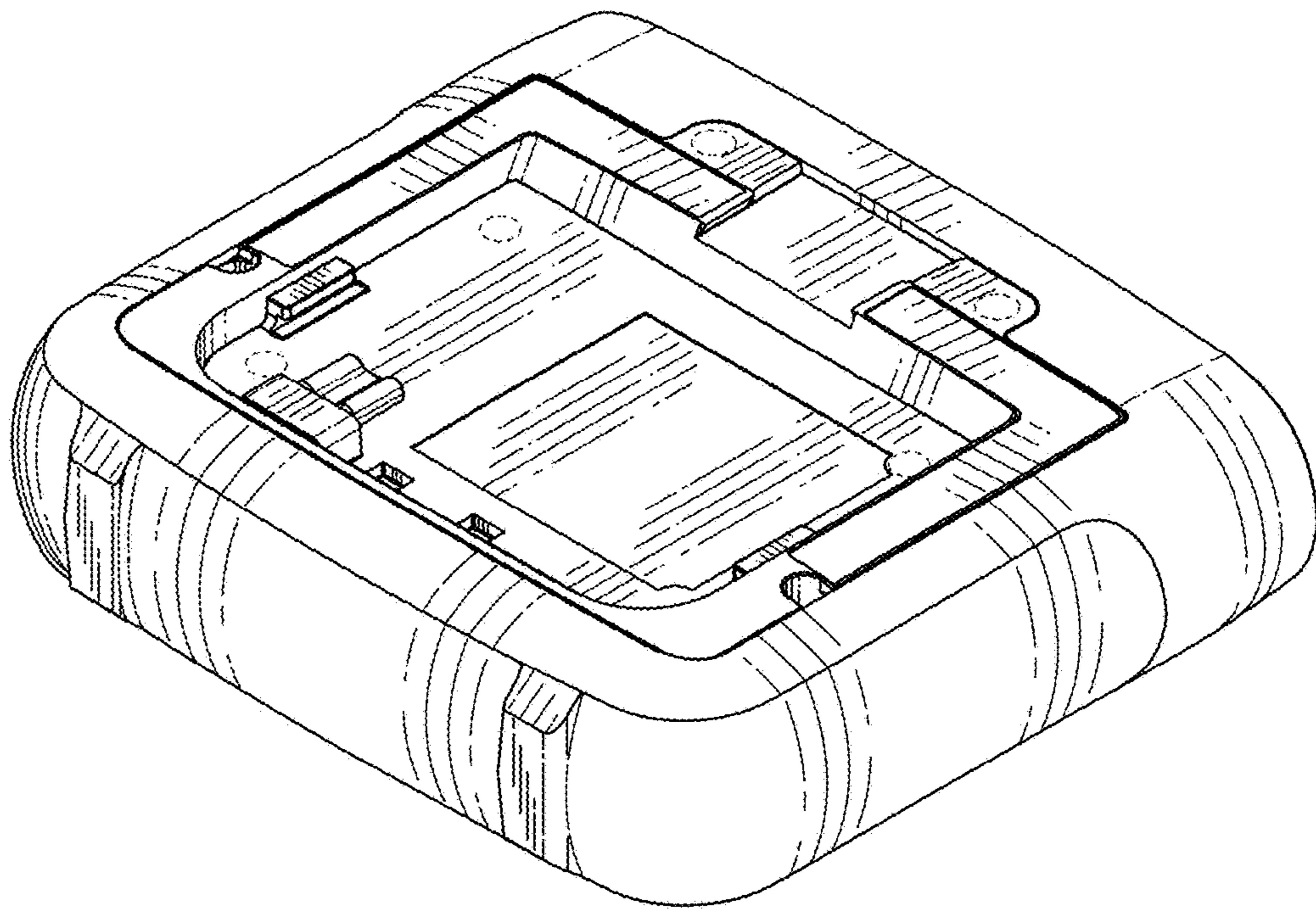
OTHER PUBLICATIONS

“Fluke 810 Handheld Vibration Tester, LCD Display, 0.1 rpm Resolution, 32 to 122 Degrees F Temperature Range, 10.52" Width × 7.30" Height × 2.76" Depth,” <<http://www.amazon.com/Fluke-Handheld-Vibration-Resolution-Temperature/dp/B007ICD1LI>> [retrieved Jan. 31, 2014], 1 page.  
“Press Kit—Intel® Reader,” <<http://www.intel.com/pressroom/kits/healthcare/reader/>> [retrieved Jan. 31, 2014], 1 page.

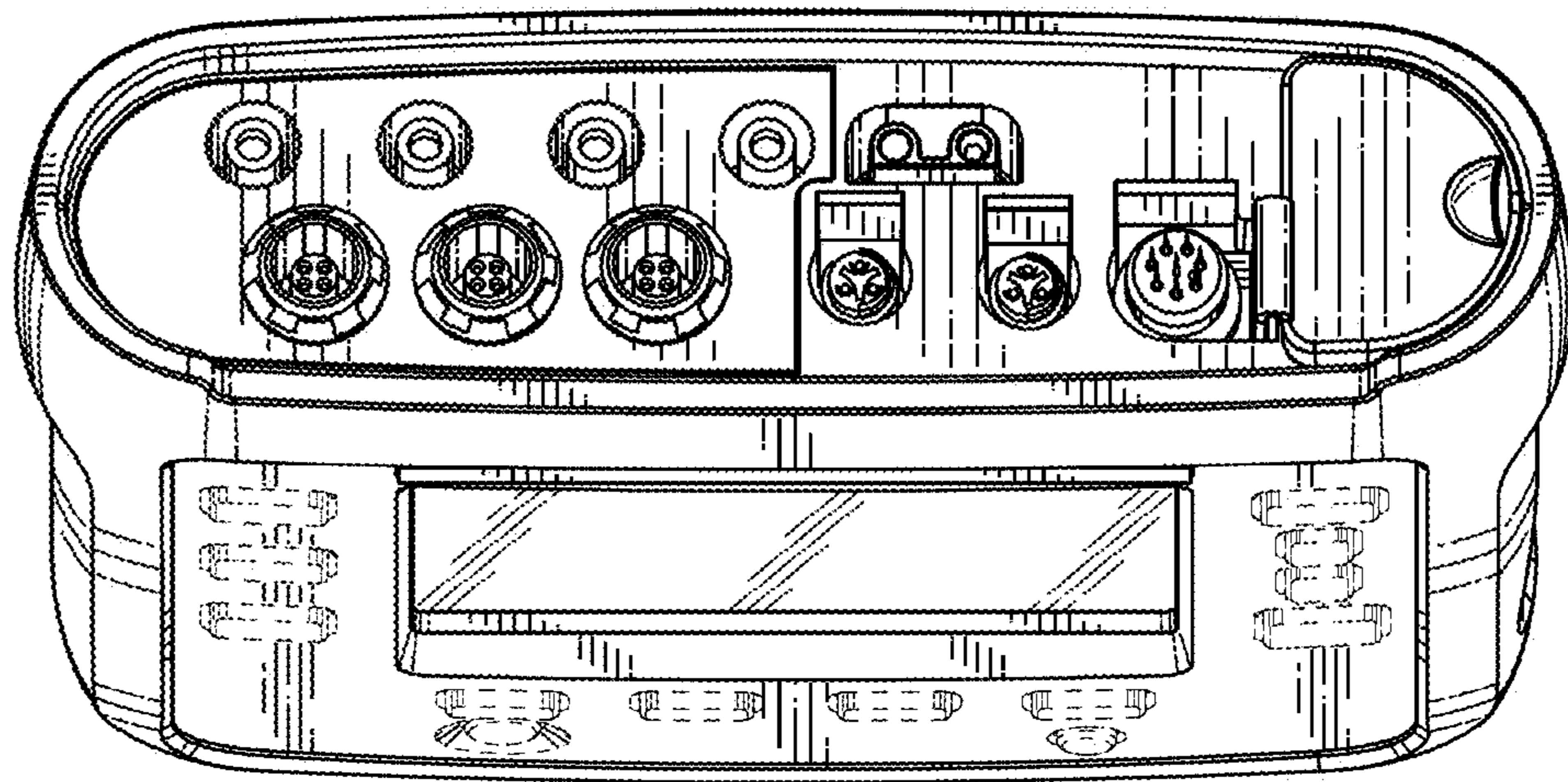
\* cited by examiner



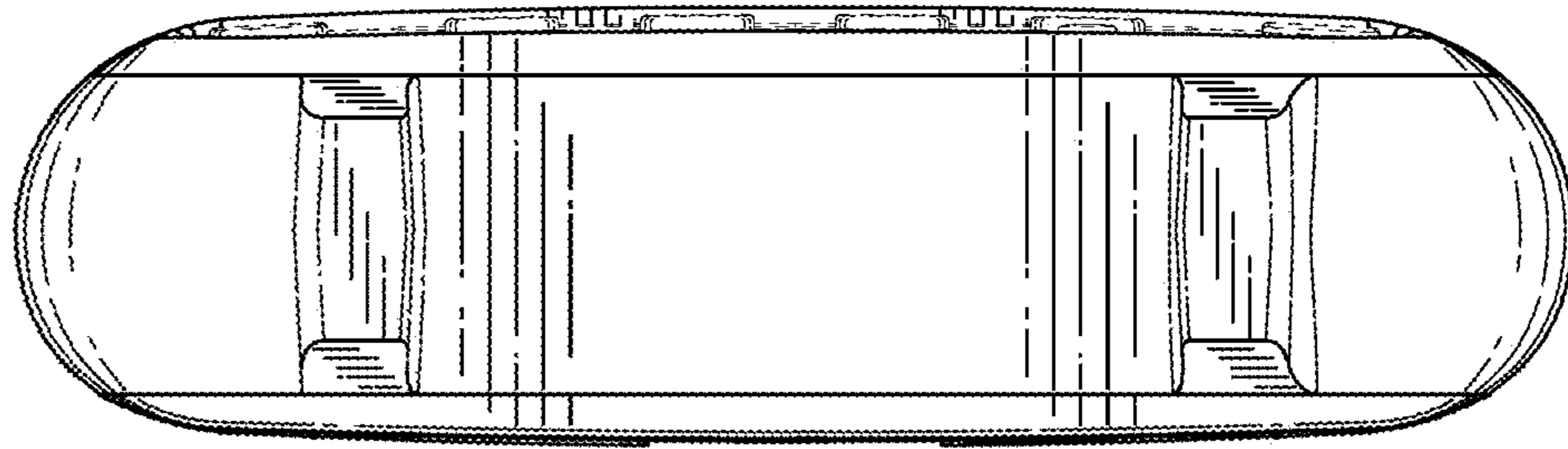
*Fig. 1*



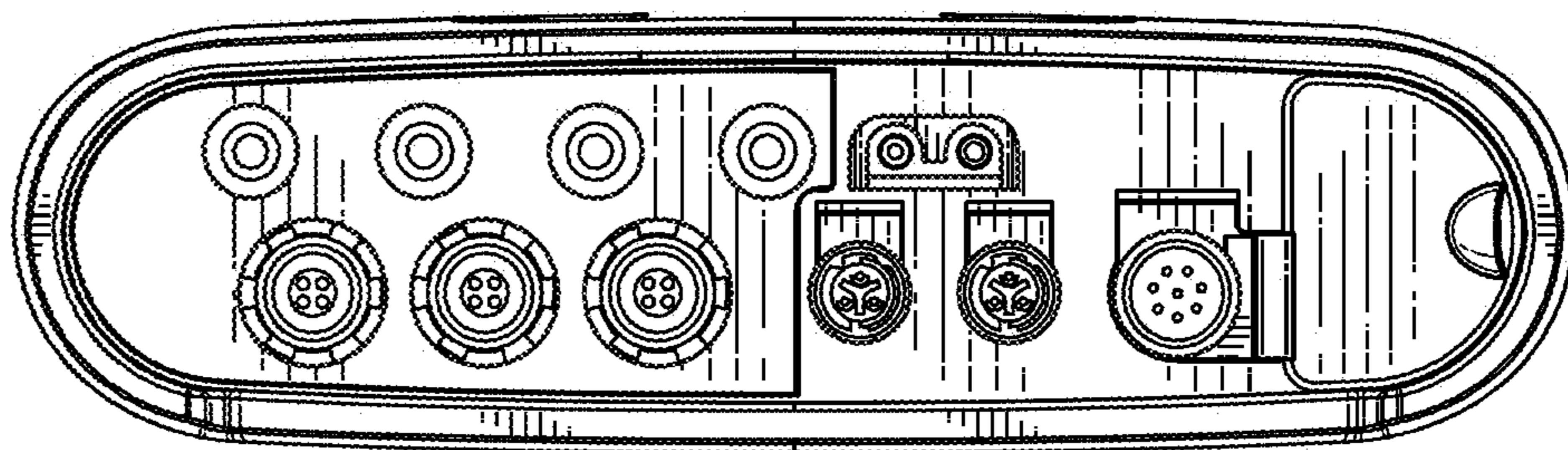
*Fig. 2*



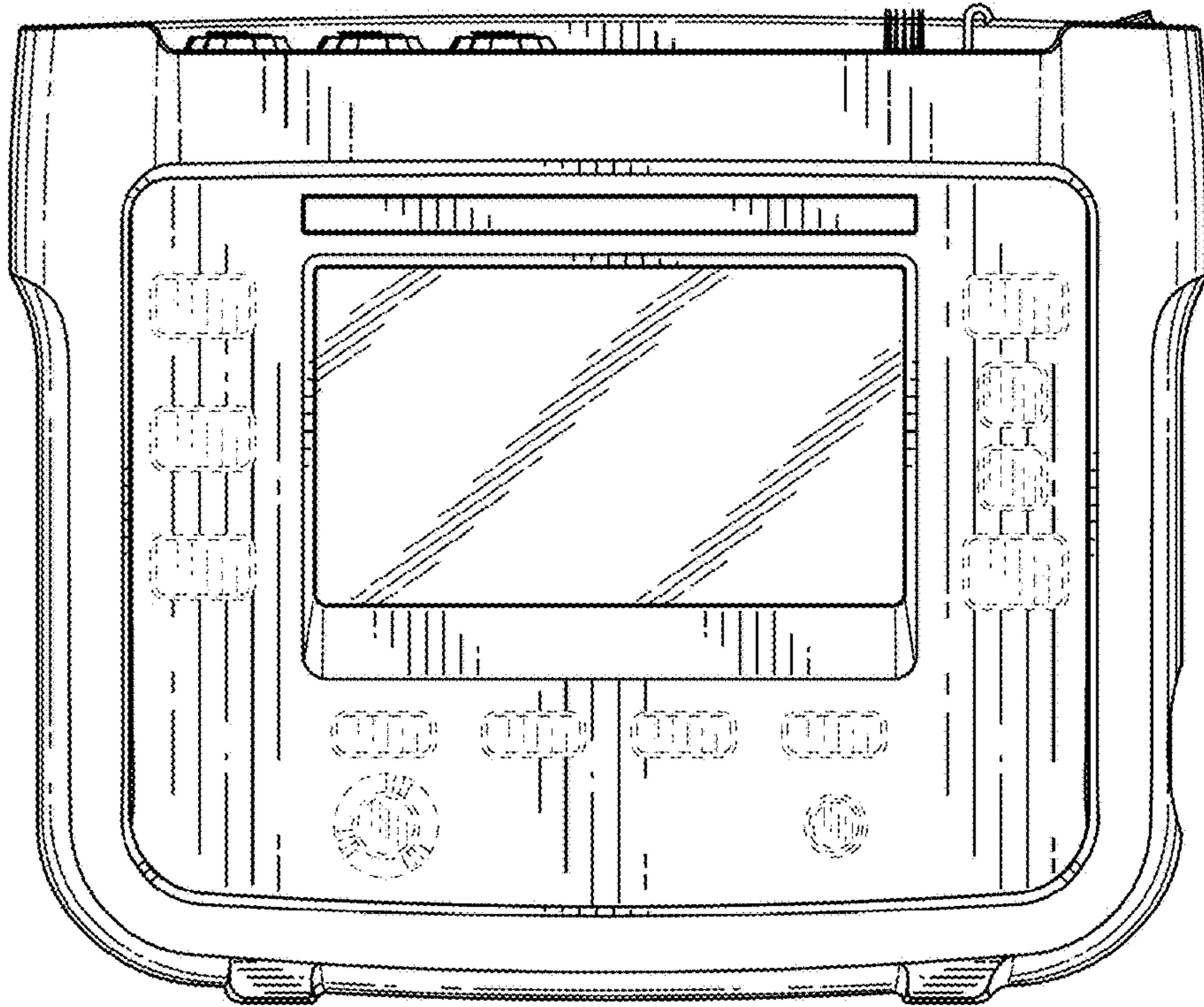
*Fig. 3*



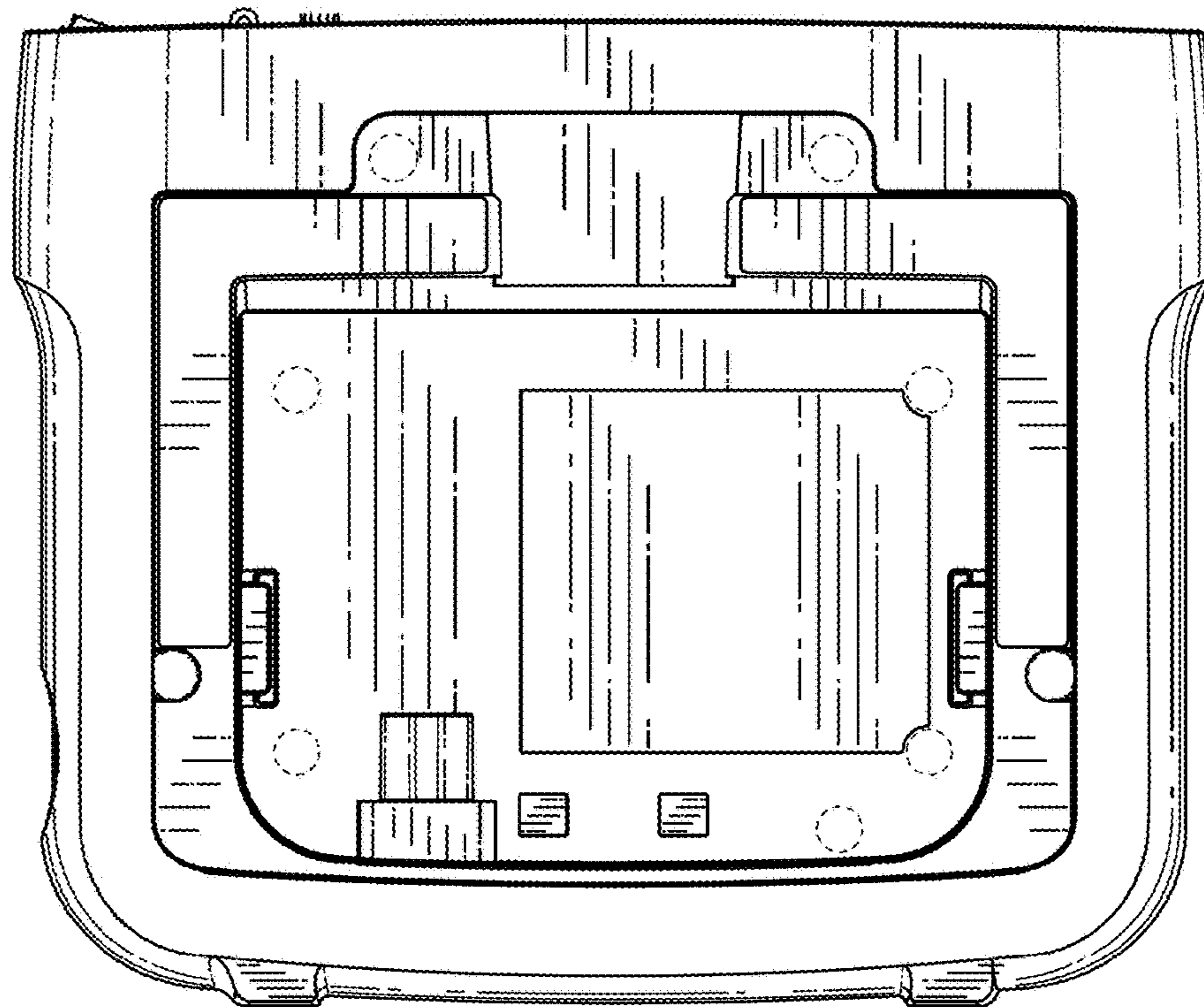
*Fig. 4*



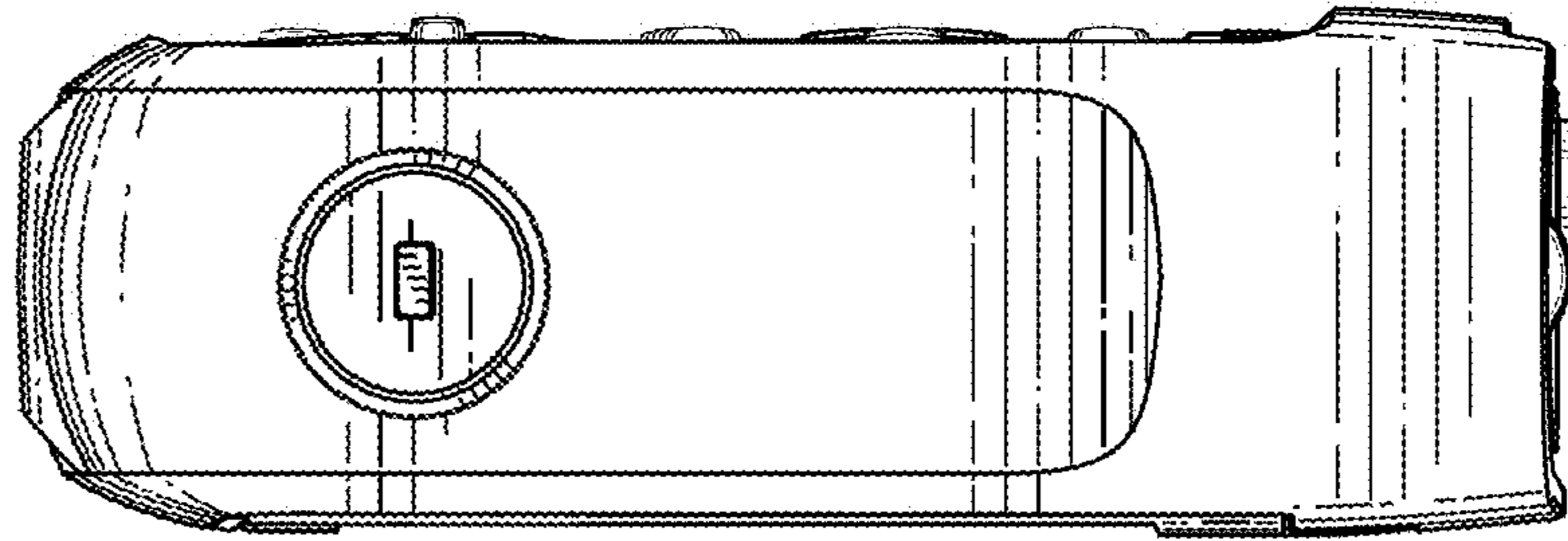
*Fig. 5*



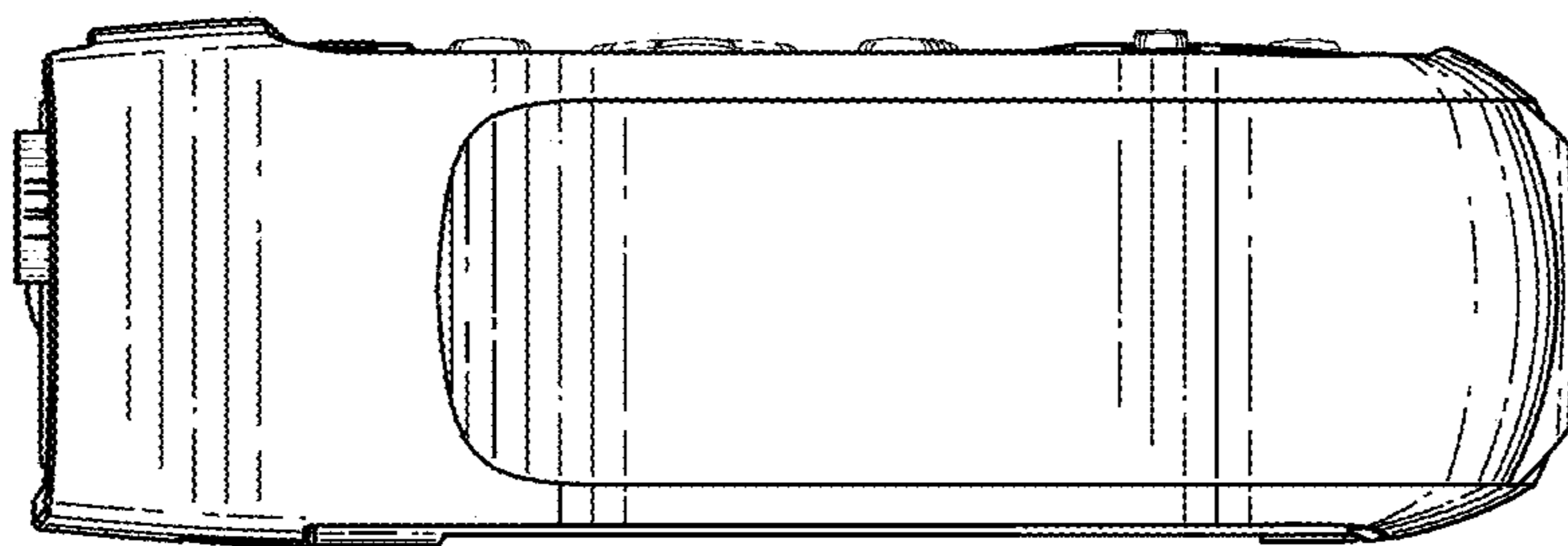
*Fig. 6*



*Fig. 7*



*Fig. 8*



*Fig. 9*