



US00D818852S

(12) **United States Design Patent**
Chen

(10) **Patent No.:** **US D818,852 S**

(45) **Date of Patent:** **** May 29, 2018**

(54) **FISH FINDER**

(71) Applicant: **Wuhua Chen, Jie Yang (CN)**

(72) Inventor: **Wuhua Chen, Jie Yang (CN)**

(73) Assignee: **Wuhua Chen, Jie Yang (CN)**

(**) Term: **15 Years**

(21) Appl. No.: **29/586,678**

(22) Filed: **Dec. 6, 2016**

(51) **LOC (11) Cl.** **10-04**

(52) **U.S. Cl.**
USPC **D10/65; 70/78**

(58) **Field of Classification Search**
USPC D10/65, 70, 78
CPC A01K 97/00; B63B 49/00; B63B 45/08;
G08B 1/08; G01C 21/20; G01C 21/203;
G01C 21/24; G01C 21/265; G01C 21/28;
G01C 21/30; G01C 21/32; G01C 13/008;
G09B 29/007; G09B 29/008; G05D
1/0206; G01S 15/025; G01S 15/88; G01S
15/96; G01S 7/4813; G01S 7/521; G01S
7/526; G01S 7/527; G01S 7/5273; G01S
7/5276; G01S 27/529; G01S 7/53; G01S
7/531; G01S 7/533; G01S 7/56; G01S
7/58; G01S 7/60; G01S 7/62; G01S 7/64;
G01S 7/6209; G01S 7/6218; G01S
7/6227; G01S 7/6236; G01S 7/6245;

G01S 7/6254; G01S 7/6263; G01S
7/6272; G01S 7/6281; G01S 7/629; Y02T
70/745

See application file for complete search history.

(56) **References Cited**

U.S. PATENT DOCUMENTS

D312,218 S *	11/1990	Hill	D10/46
D773,326 S *	12/2016	Lei	D10/78
D782,348 S *	3/2017	Emge	D10/65
D796,357 S *	9/2017	Park	D10/78

* cited by examiner

Primary Examiner — Antoine Duval Davis
(74) *Attorney, Agent, or Firm* — ScienBiziP, P.C.

(57) **CLAIM**

The ornamental design for a fish finder, as shown and described.

DESCRIPTION

FIG. 1 is a front perspective view of a fish finder showing my new design;
FIG. 2 is a front view thereof;
FIG. 3 is a rear view thereof;
FIG. 4 is a right-side view thereof;
FIG. 5 is a left-side view thereof;
FIG. 6 is a top view thereof;
FIG. 7 is a bottom view thereof; and,
FIG. 8 is a rear side perspective view thereof.

1 Claim, 6 Drawing Sheets

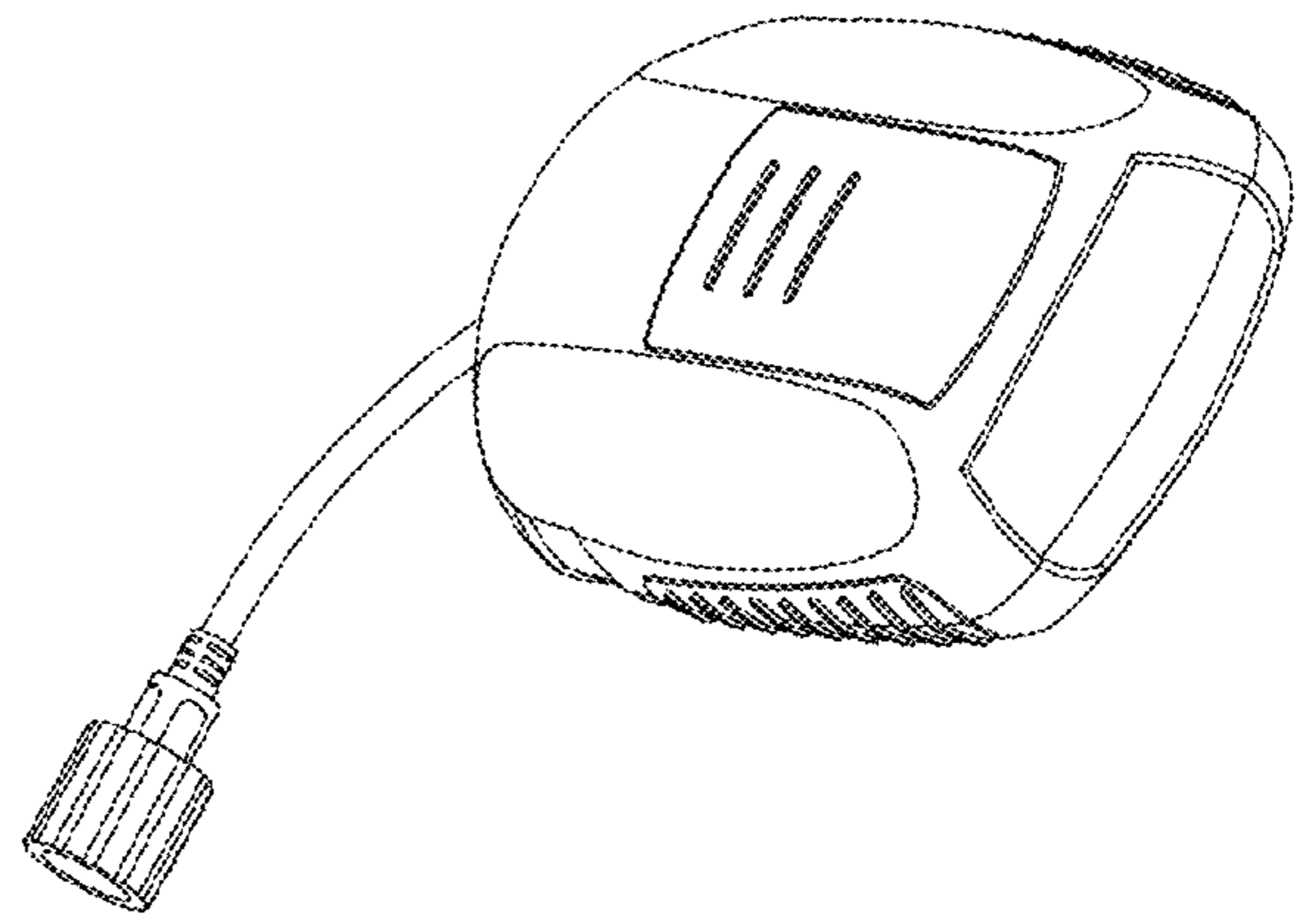
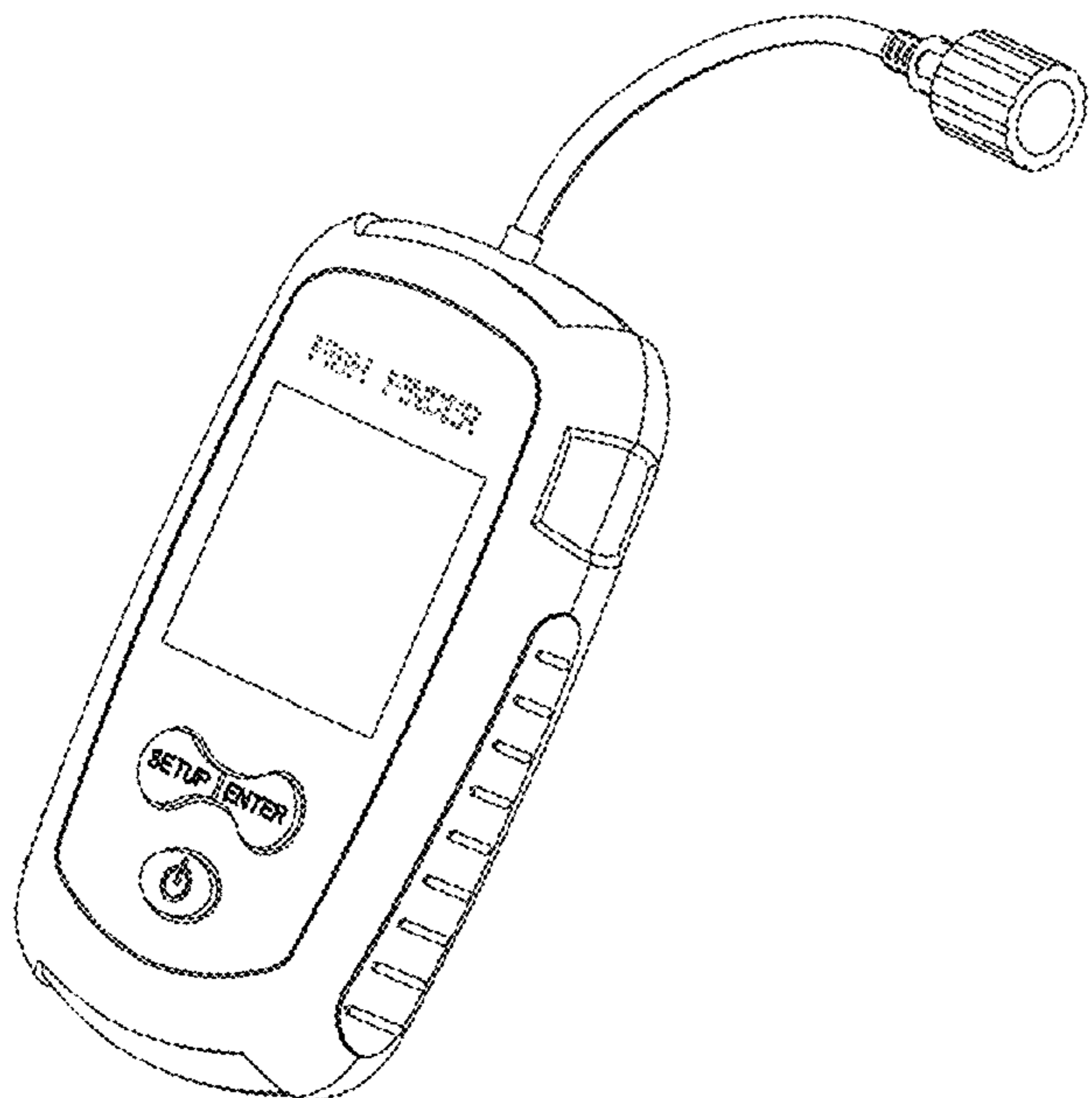




FIG. 1

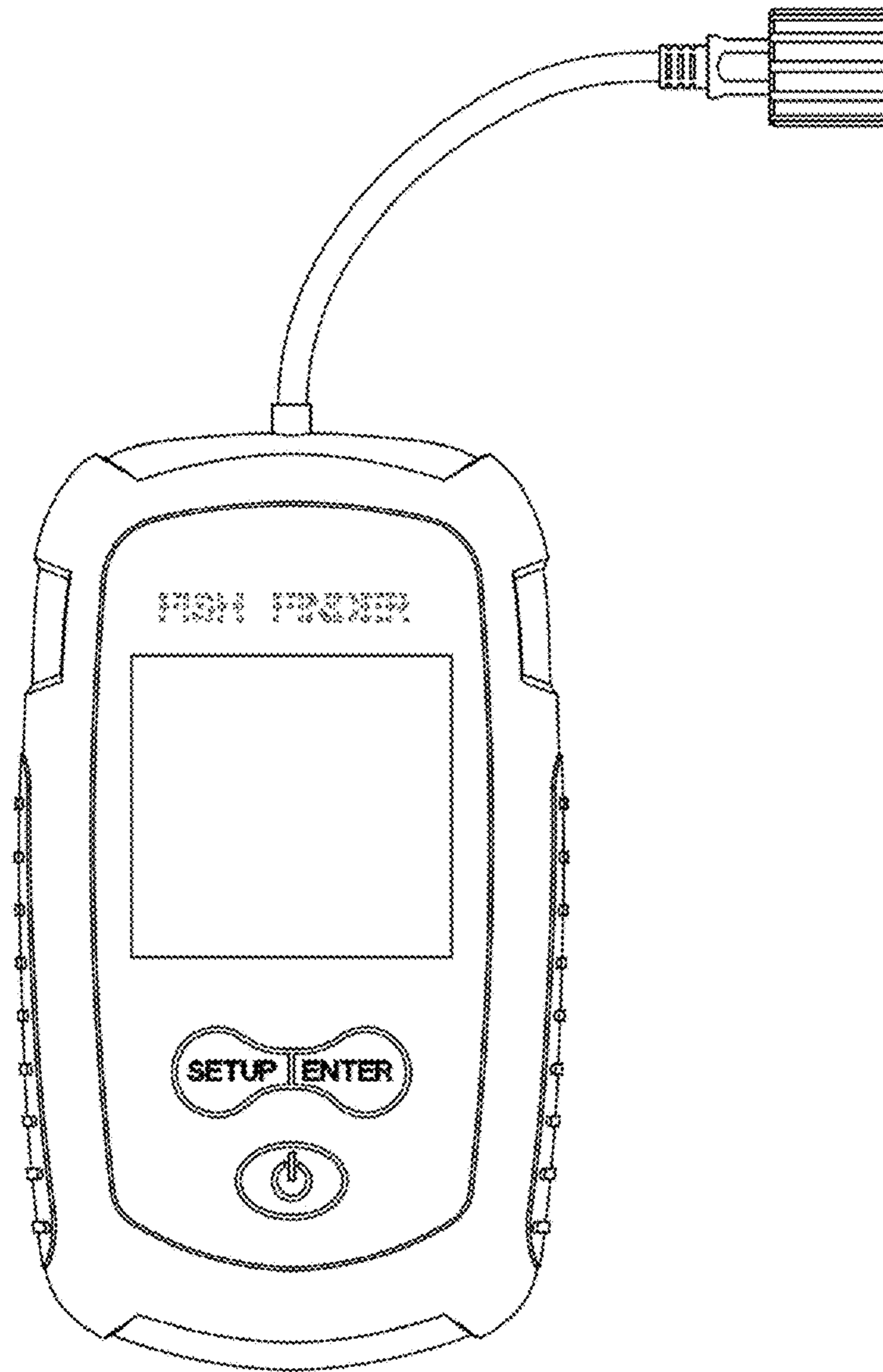


FIG. 2

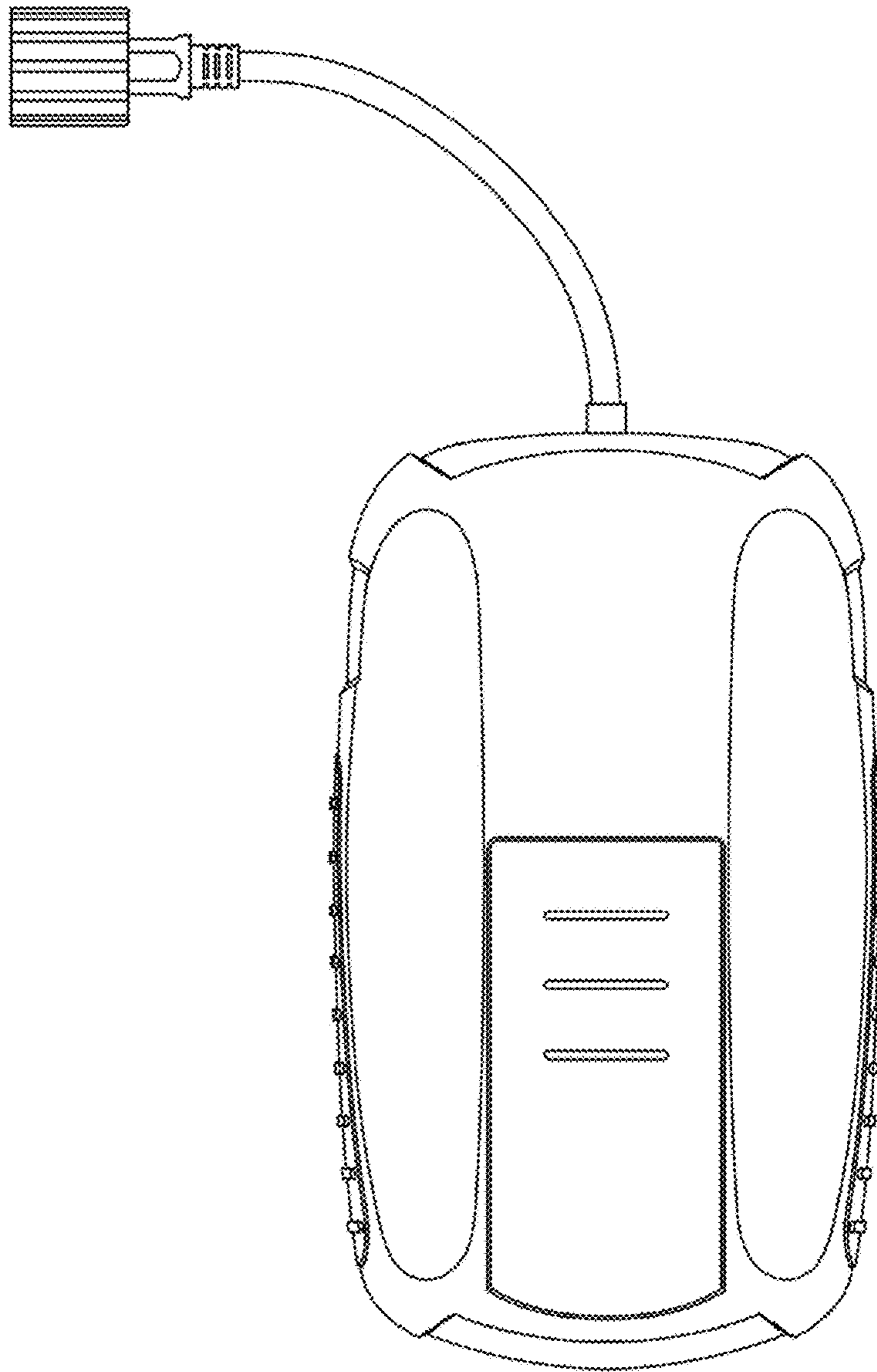


FIG. 3

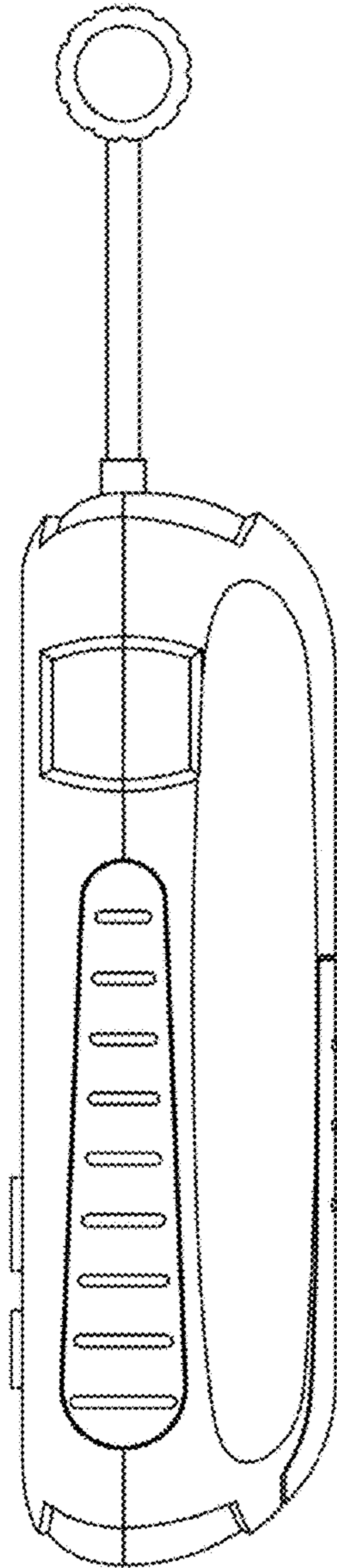


FIG. 4

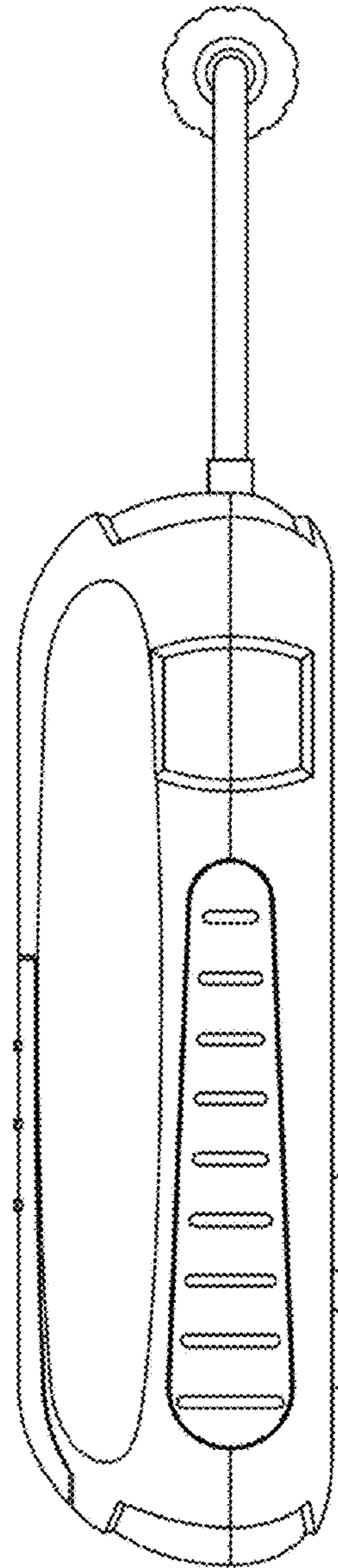


FIG. 5

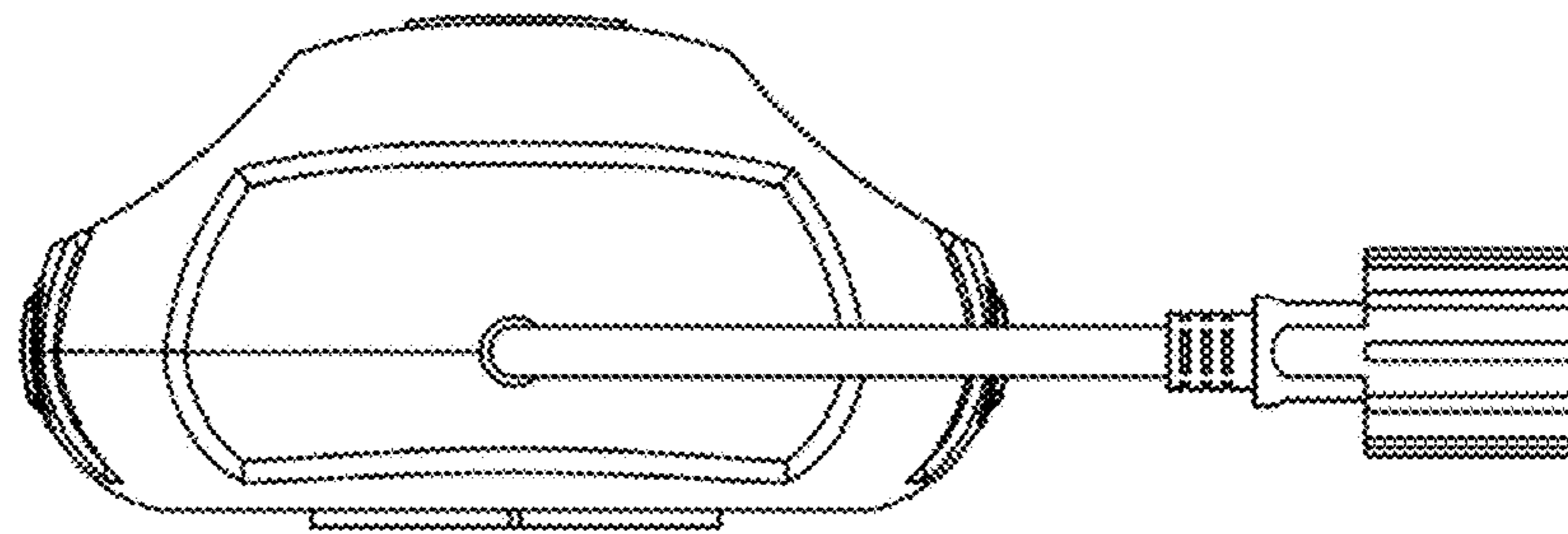


FIG. 6

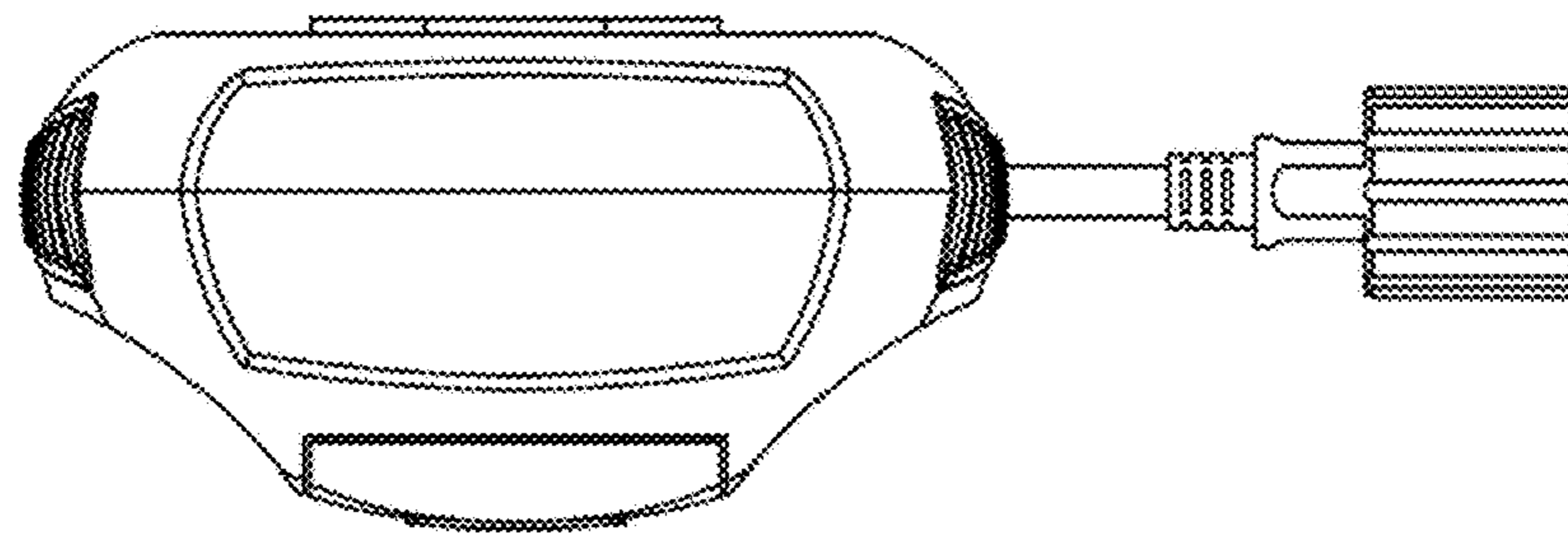


FIG. 7

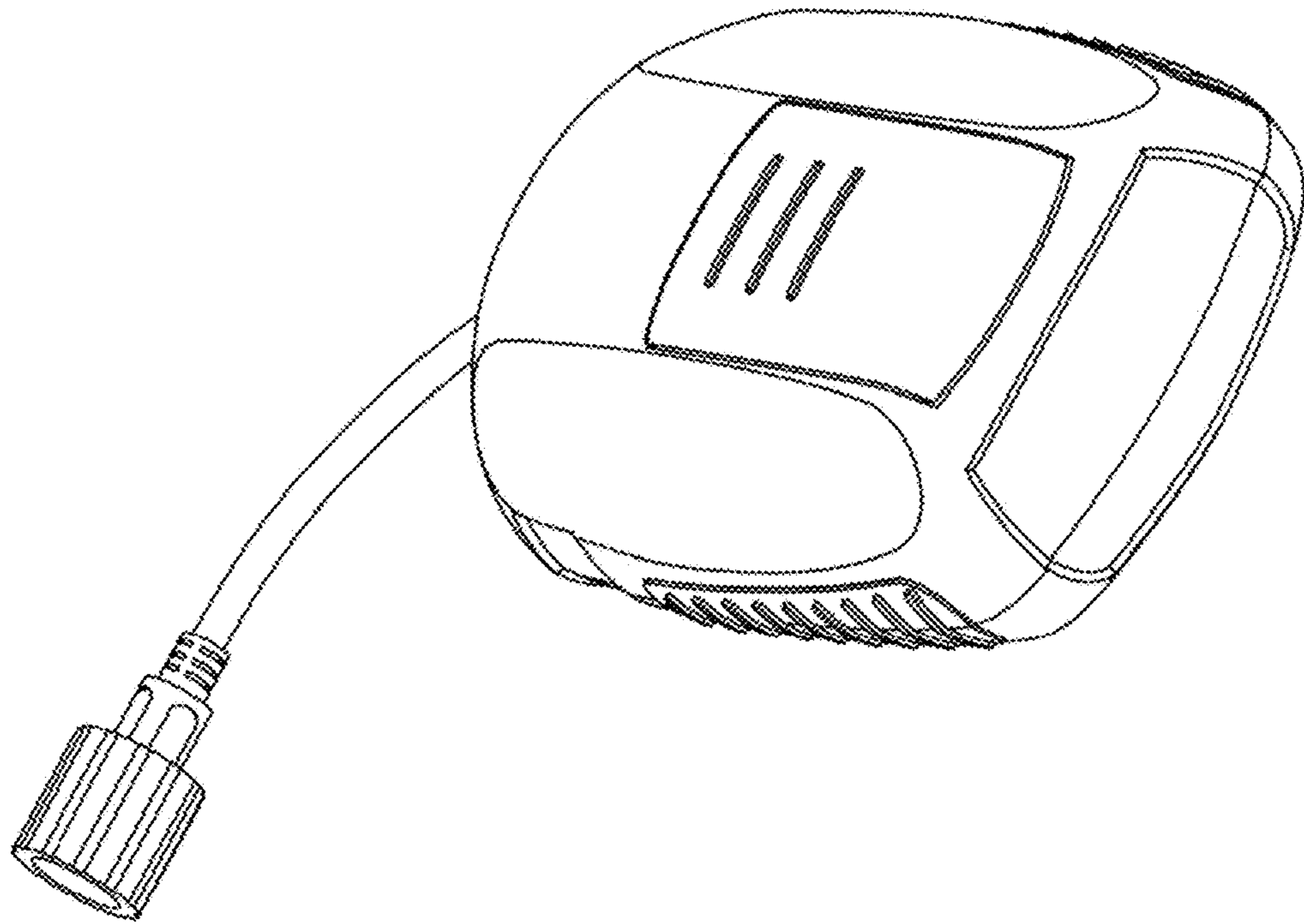


FIG. 8