



US00D818851S

(12) **United States Design Patent**  
**Caldwell**

(10) **Patent No.: US D818,851 S**

(45) **Date of Patent: \*\* May 29, 2018**

(54) **WATER METER**

(71) Applicant: **APATOR MIITORS APS**, Aarhus V  
(DK)

(72) Inventor: **Pol Martinez Caldwell**, Castellon (ES)

(\*\*) Term: **15 Years**

(21) Appl. No.: **35/502,388**

(22) Filed: **Nov. 22, 2016**

(80) **Hague Agreement Data**

Int. Filing Date: **Nov. 22, 2016**

Int. Reg. No.: **DM/094378**

Int. Reg. Date: **Nov. 22, 2016**

Int. Reg. Pub. Date: **Feb. 3, 2017**

(51) **LOC (11) Cl.** ..... **10-04**

(52) **U.S. Cl.**  
USPC ..... **D10/56**

(58) **Field of Classification Search**  
USPC ..... D10/50, 99, 56  
CPC ..... E03B 1/00; E03C 1/02  
See application file for complete search history.

(56) **References Cited**

U.S. PATENT DOCUMENTS

D232,703 S \* 9/1974 Konzi ..... D7/392.1  
D718,165 S \* 11/2014 Dick ..... D10/99  
D777,587 S \* 1/2017 Wieser ..... D10/50  
D801,110 S \* 10/2017 Sarnoff ..... D7/391

\* cited by examiner

*Primary Examiner* — George D. Kirschbaum

(57) **CLAIM**

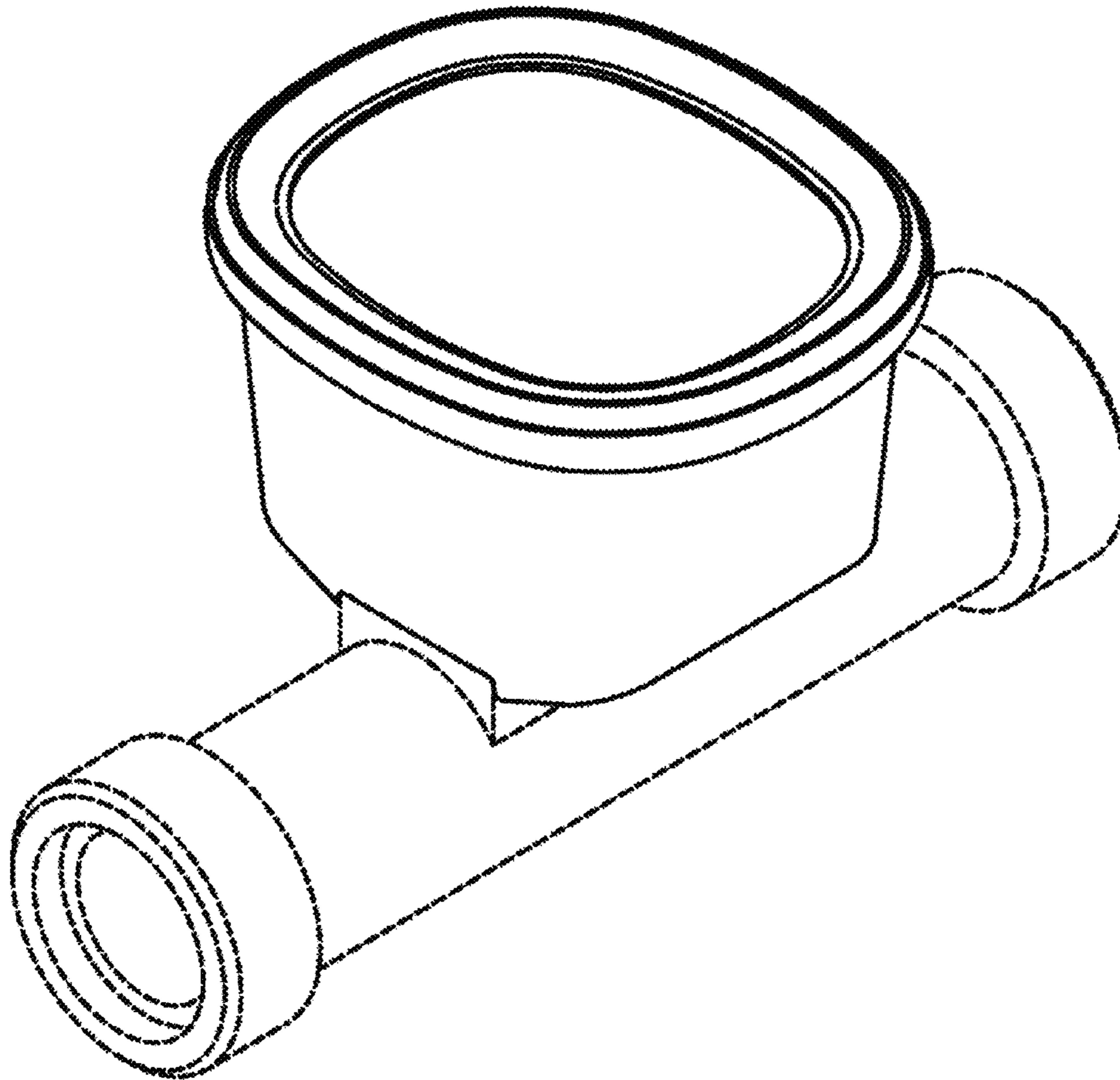
The ornamental design for a water meter, as shown and described.

**DESCRIPTION**

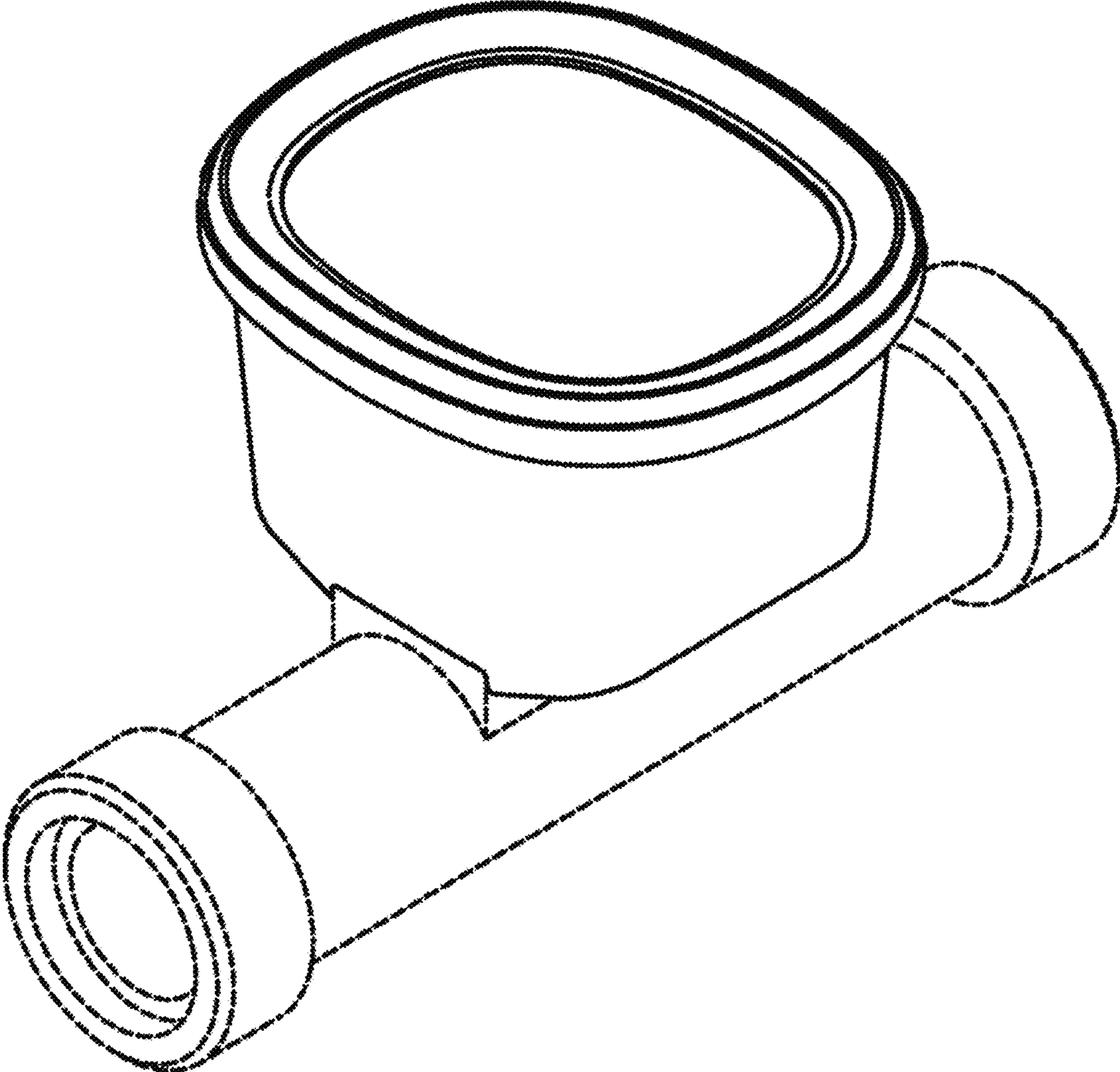
- 1. Water meter
- 1.1 : Perspective
- 1.2 : Front
- 1.3 : Left
- 1.4 : Top
- 1.5 : Bottom

The left side view is a mirror image of the right side view; the front view is a mirror image of the rear view; broken lines illustrate environmental structure and form no part of the design.

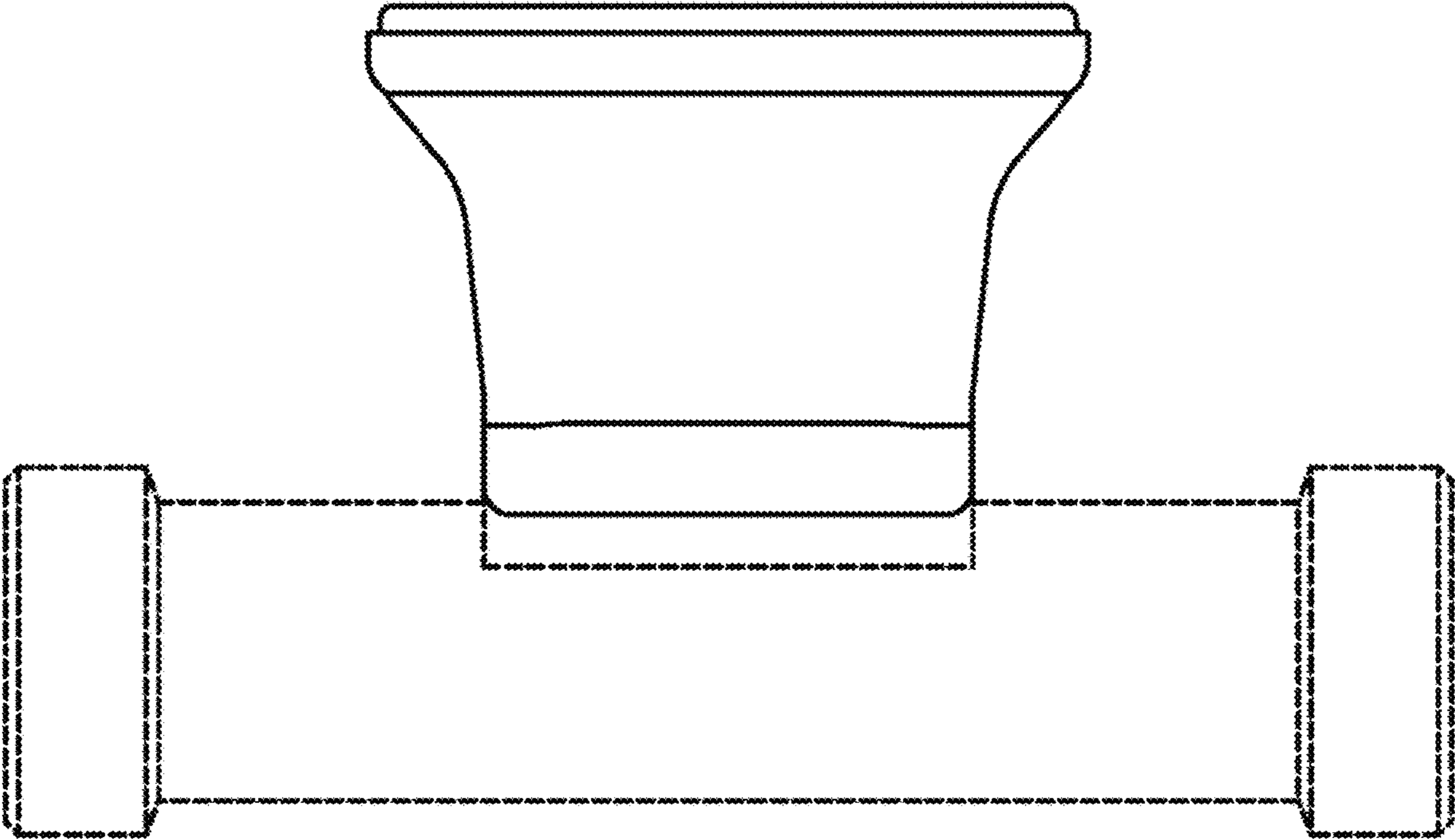
**1 Claim, 5 Drawing Sheets**



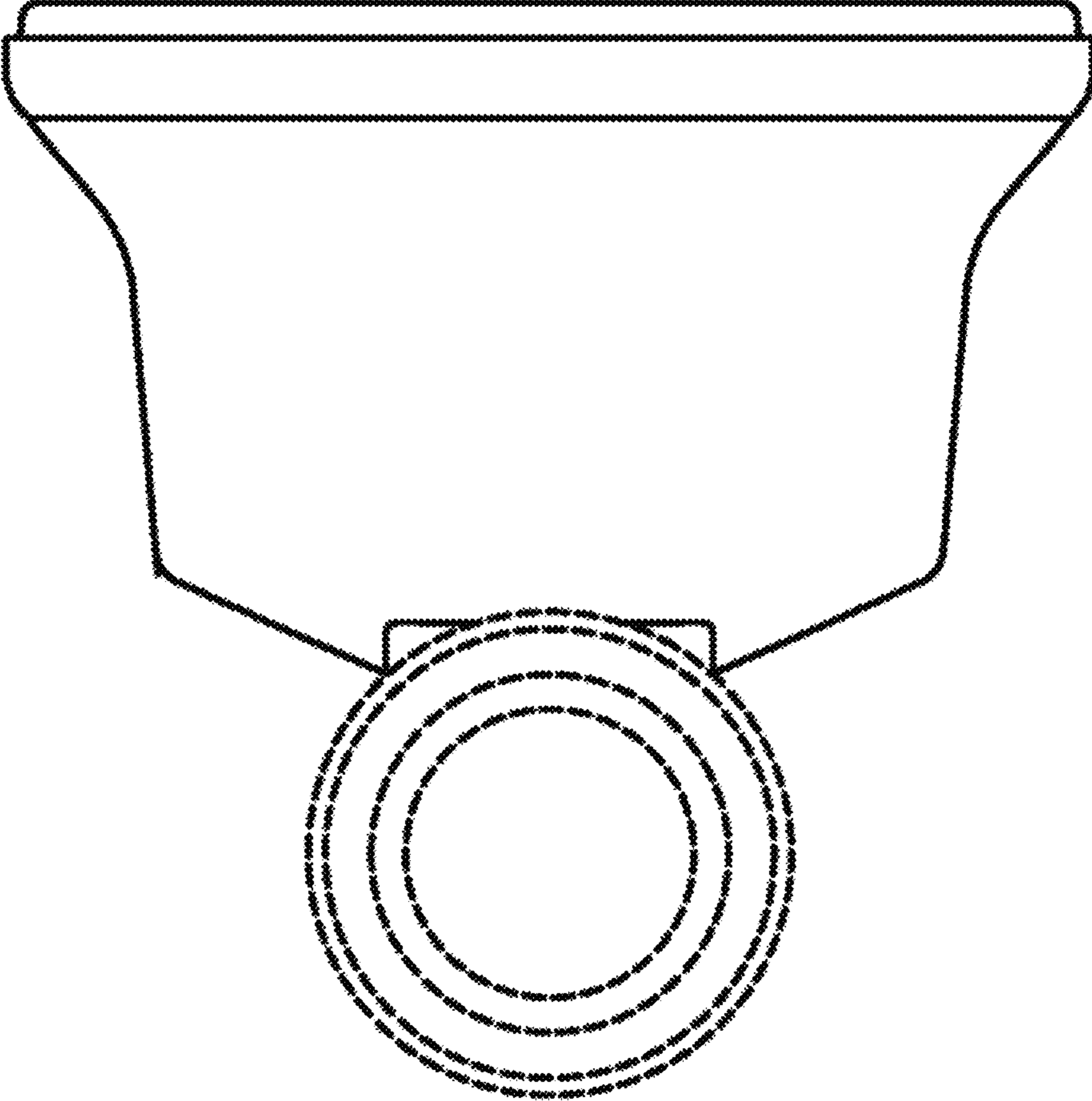
1.1



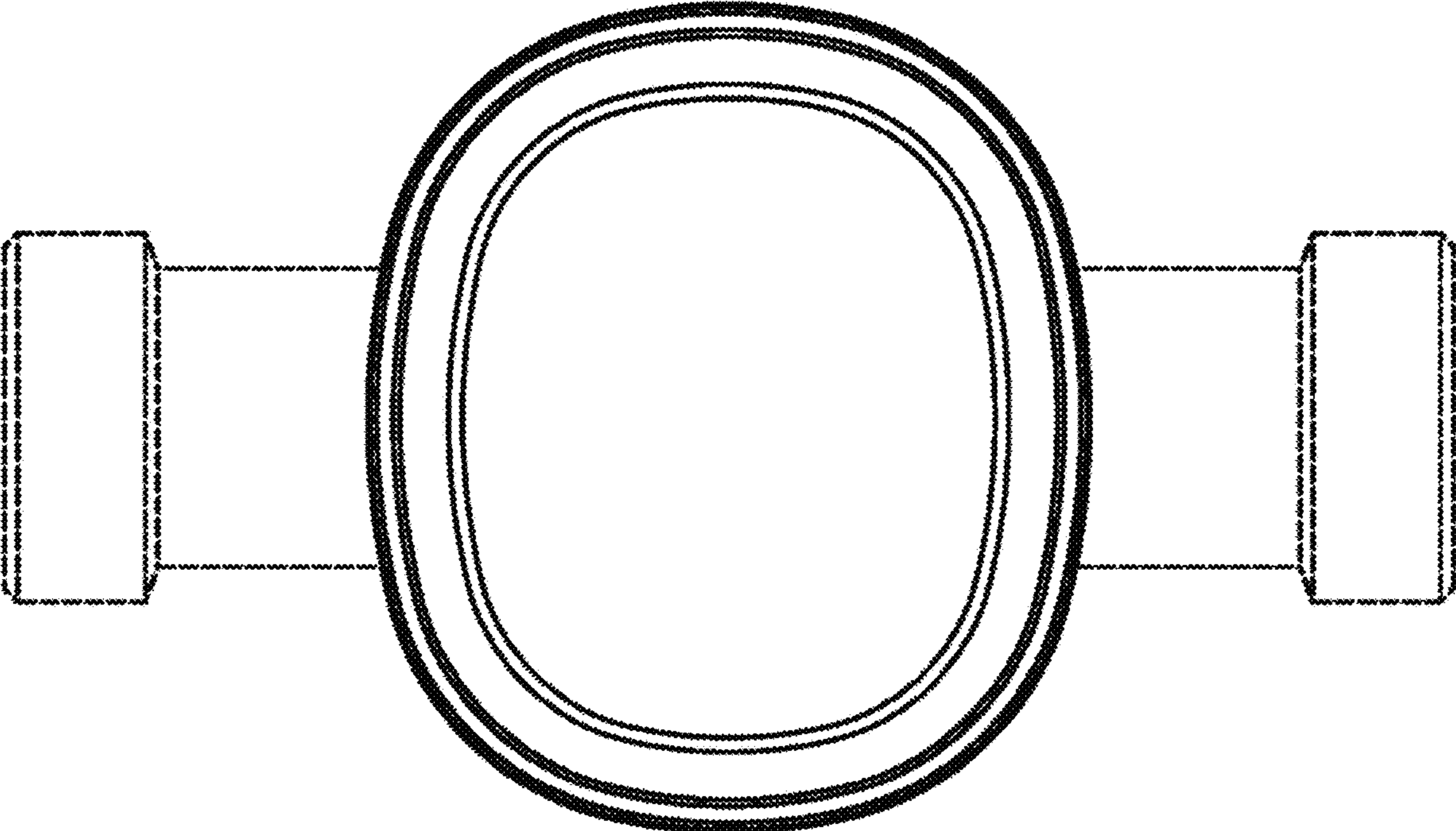
1.2



1.3



1.4





1.5

