



US00D818850S

(12) **United States Design Patent** (10) **Patent No.:** **US D818,850 S**
Akao et al. (45) **Date of Patent:** **** May 29, 2018**

(54) **PROTECTOR TUBE FOR THERMOCOUPLE**

(71) Applicant: **Hitachi Kokusai Electric Inc.**, Tokyo (JP)

(72) Inventors: **Tokunobu Akao**, Toyama (JP); **Atushi Umekawa**, Toyama (JP); **Masaaki Ueno**, Toyama (JP); **Tetsuya Kosugi**, Toyama (JP); **Hitoshi Murata**, Toyama (JP); **Masashi Sugishita**, Toyama (JP); **Kenji Shinozaki**, Toyama (JP)

(73) Assignee: **HITACHI KOKUSAI ELECTRIC INC.**, Tokyo (JP)

(**) Term: **15 Years**

(21) Appl. No.: **29/590,834**

(22) Filed: **Jan. 13, 2017**

(30) **Foreign Application Priority Data**

Jul. 14, 2016 (JP) 2016-015082

(51) **LOC (11) Cl.** **10-04**

(52) **U.S. Cl.**
USPC **D10/52**

(58) **Field of Classification Search**

USPC D10/49, 50, 51, 52, 53, 54, 55, 56, 60
CPC G01K 7/02; G01K 7/023; G01K 7/026;
G01K 7/028; G01K 7/04; G01K 7/06;
G01K 7/08; G01K 7/10; G01K 7/12;
G01K 7/13; G01K 7/14; G01K 1/12;
G01K 1/08; G01K 1/125; G01K 1/10;
G01K 1/105

See application file for complete search history.

(56) **References Cited**

U.S. PATENT DOCUMENTS

9,488,528 B2 * 11/2016 Schlipf G01K 1/14
9,791,328 B2 * 10/2017 Chu G01K 13/00
9,816,879 B2 * 11/2017 Sannier G01K 13/02

* cited by examiner

Primary Examiner — Antoine Duval Davis

(74) *Attorney, Agent, or Firm* — Fitch, Even, Tabin & Flannery, LLP

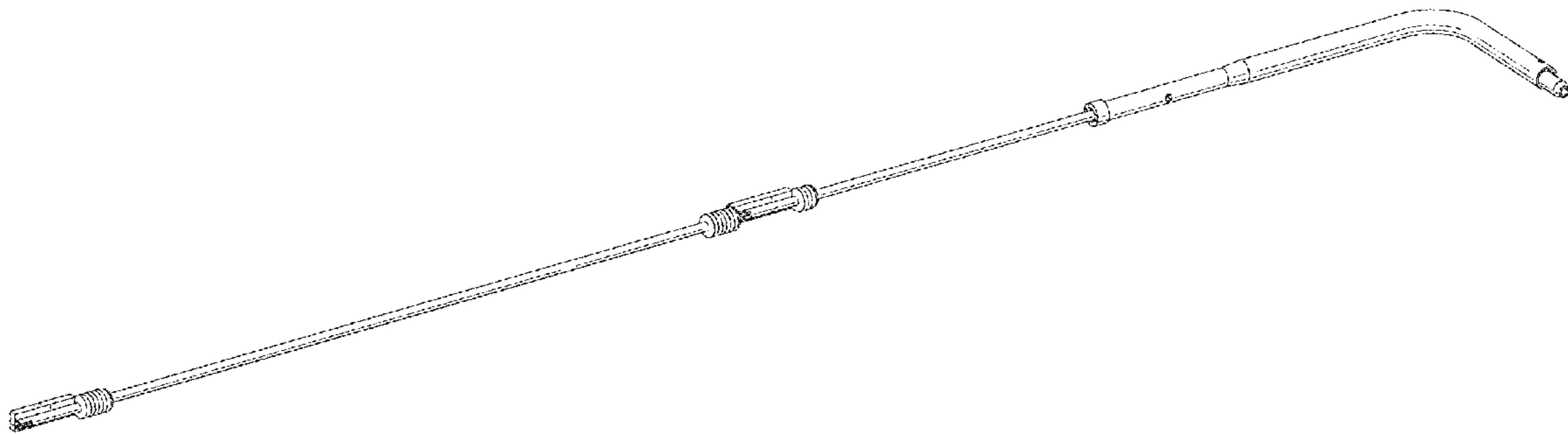
(57) **CLAIM**

We claim the ornamental design for a protector tube for thermocouple, as shown (and described).

DESCRIPTION

FIG. 1 is a front, bottom and left side perspective view of a protector tube for thermocouple showing my new design; FIG. 2 is a front elevational view thereof; FIG. 3 is a rear elevational view thereof; FIG. 4 is a left side elevational view thereof; FIG. 5 is a right side elevational view thereof; FIG. 6 is a top plan view thereof; FIG. 7 is a bottom plan view thereof; FIG. 8 is a cross-sectional view take along line 8-8 in FIG. 5 thereof; FIG. 9 is an enlarged portion view take along line 9-9 in FIG. 2 thereof; FIG. 10 is a cross-sectional view take along line 10-10 in FIG. 9; and, FIG. 11 is an enlarged cross-sectional view take along line 11-11 in FIG. 2.

1 Claim, 5 Drawing Sheets



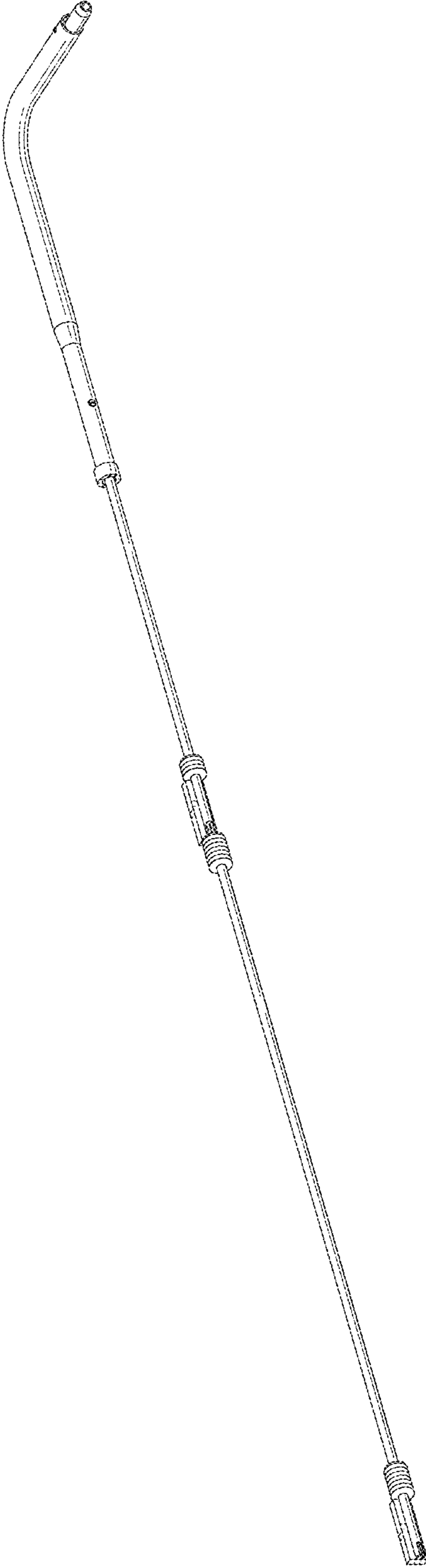
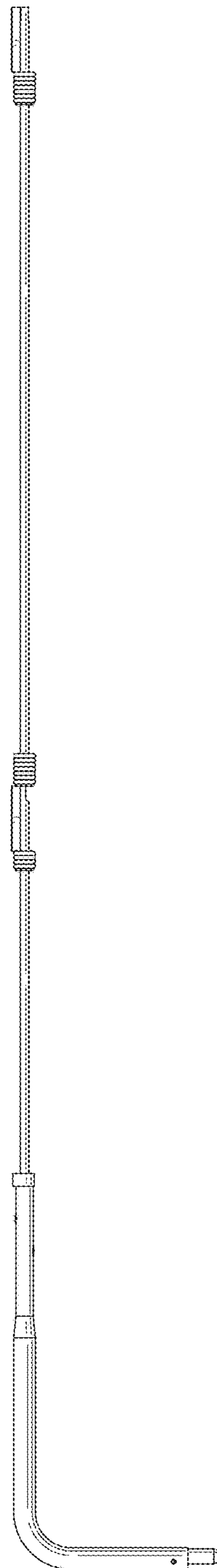
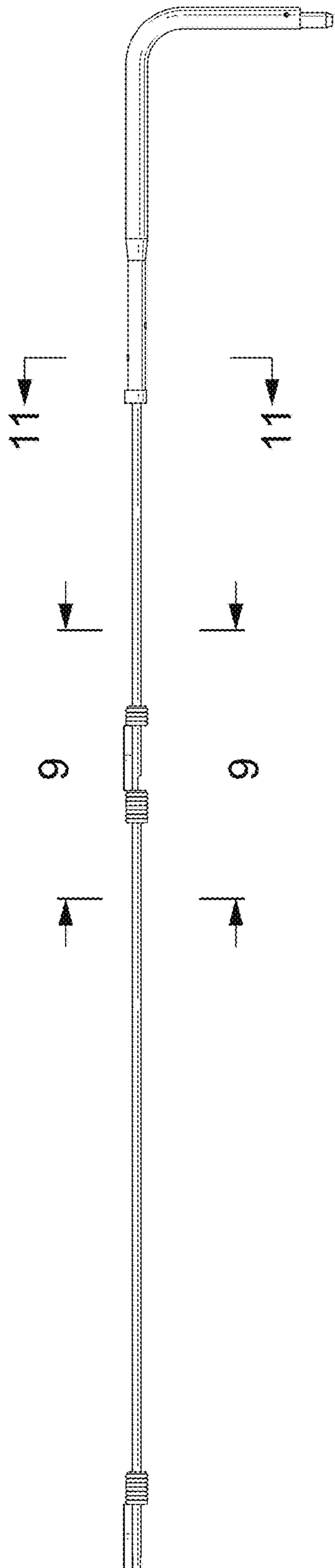


FIG. 1



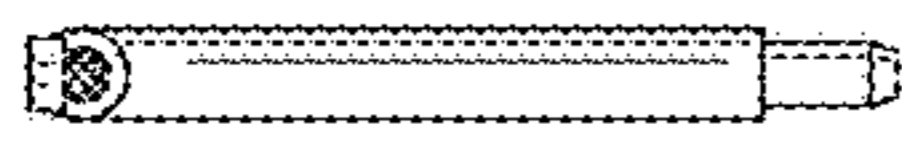


FIG. 4

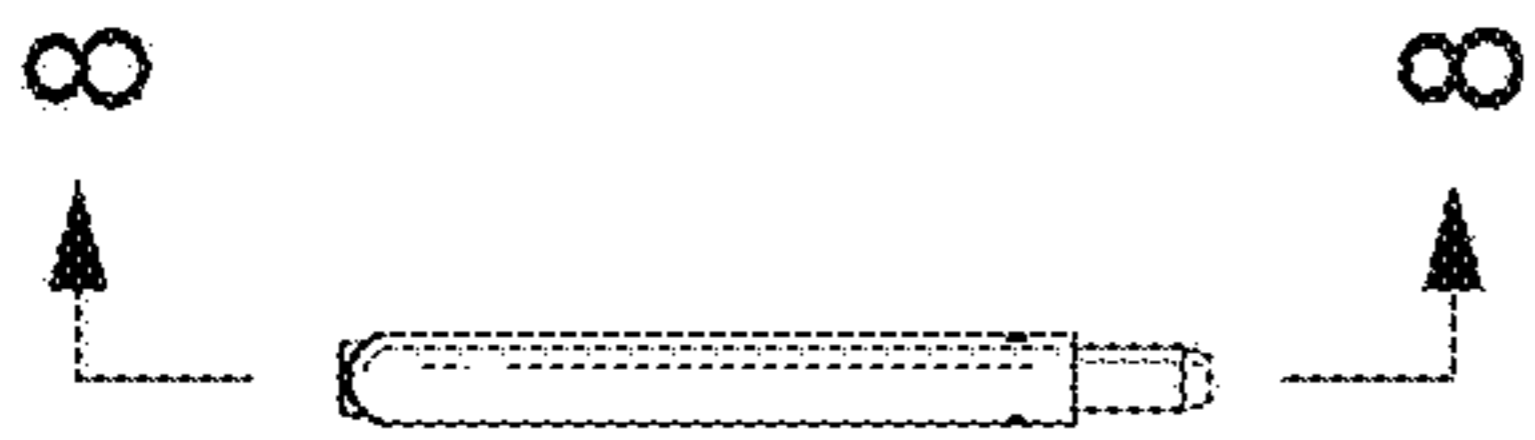


FIG. 5



FIG. 6



FIG. 7

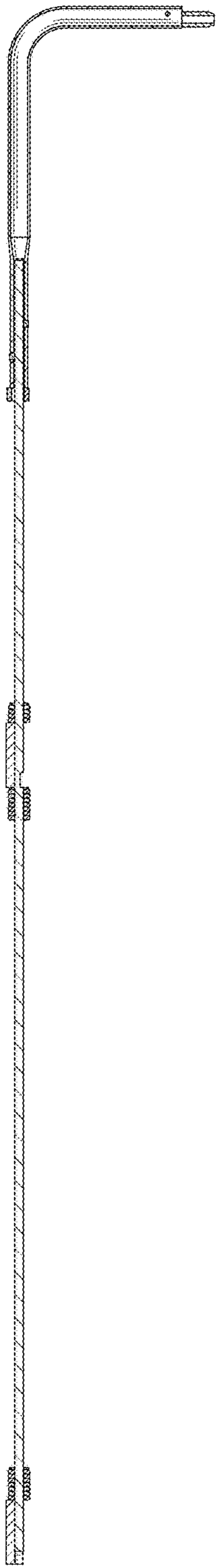


FIG. 8

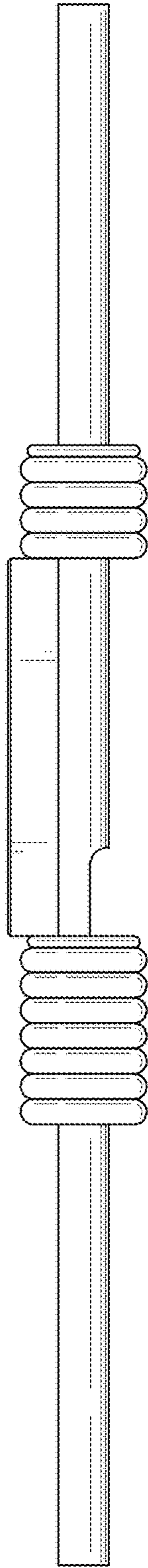


FIG. 9

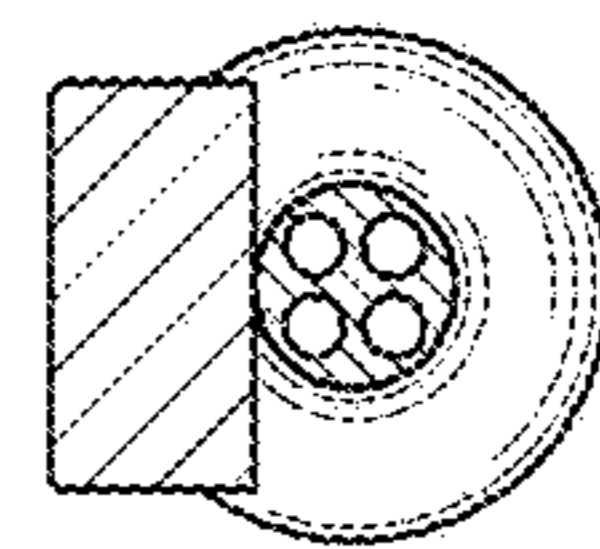


FIG. 10

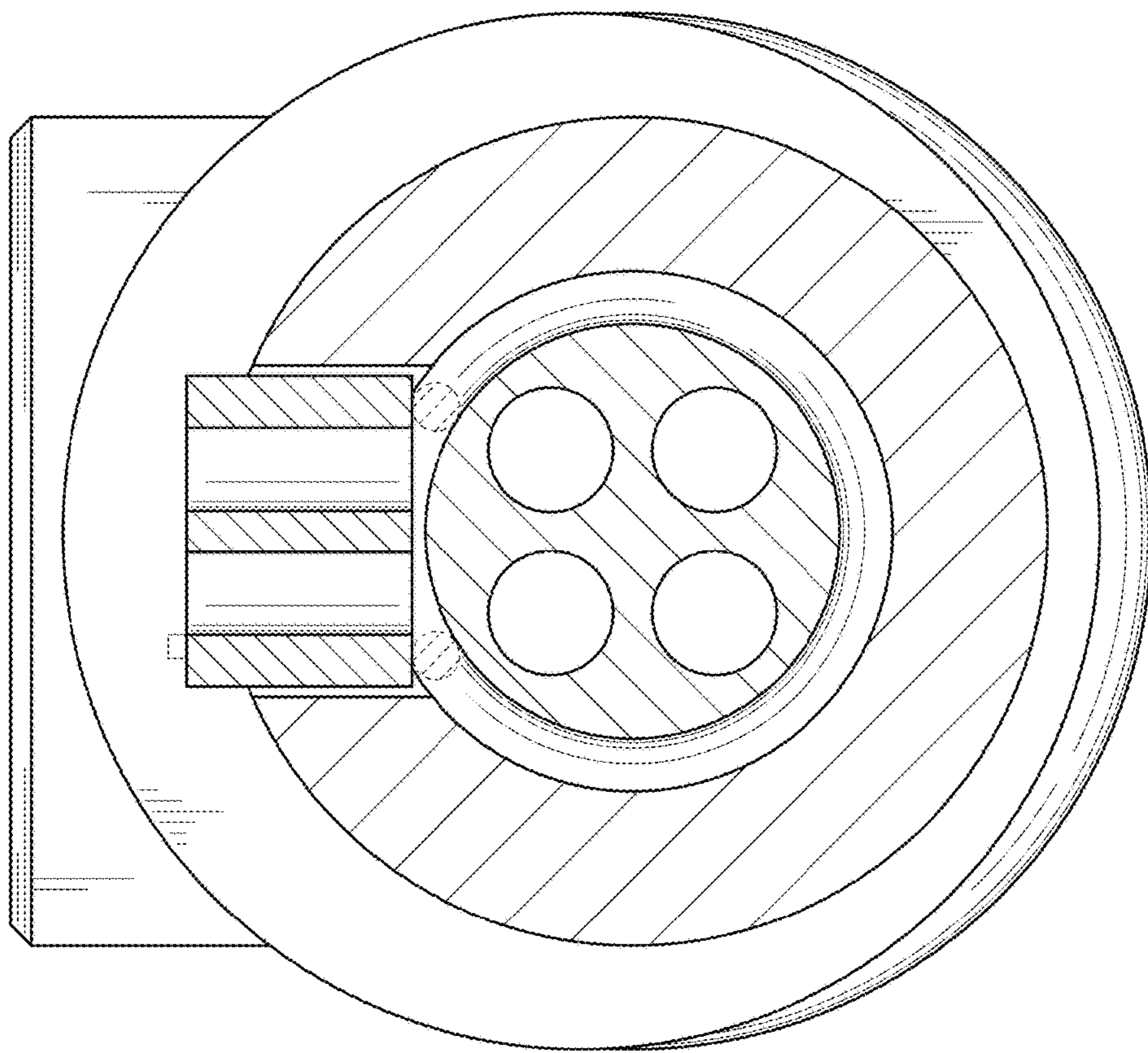


FIG. 11