



US00D818848S

(12) **United States Design Patent**
Joung

(10) **Patent No.:** **US D818,848 S**

(45) **Date of Patent:** **** May 29, 2018**

(54) **PORTABLE RADIATION DETECTION SYSTEM**

(71) Applicant: **NuCare, Inc.**, Incheon (KR)

(72) Inventor: **Jinhun Joung**, Incheon (KR)

(73) Assignee: **NUCARE, INC.**, Incheon (KR)

(**) Term: **15 Years**

(21) Appl. No.: **29/586,896**

(22) Filed: **Dec. 7, 2016**

(51) **LOC (11) Cl.** **10-04**

(52) **U.S. Cl.**
USPC **D10/47**

(58) **Field of Classification Search**
USPC D10/47
CPC . F02B 29/04; G01T 1/18; G01T 1/161; G01T 1/167; G01T 7/00; G01V 5/0075; G08B 21/0222; G08B 21/023; G08B 21/0269; G08B 21/0272; G08B 21/0283; G08B 25/08; G08B 25/012; G08B 31/00
See application file for complete search history.

(56) **References Cited**

U.S. PATENT DOCUMENTS

D691,496 S * 10/2013 Kazaoka D10/47
D718,643 S * 12/2014 Joung D10/47

* cited by examiner

Primary Examiner — Antoine Duval Davis

(74) *Attorney, Agent, or Firm* — Levenfeld Pearlstein, LLC

(57) **CLAIM**

The ornamental design for a portable radiation detection system, as shown and described.

DESCRIPTION

FIG. 1 is a top, front perspective view of a portable radiation detection system embodying my new design;
FIG. 2 is a top, rear perspective view of thereof;
FIG. 3 is a front view thereof;
FIG. 4 is a rear view thereof;
FIG. 5 is a side view thereof as seen from the right-hand side of FIG. 3;
FIG. 6 is a side view thereof as seen from the left-hand side of FIG. 3;
FIG. 7 is a top view thereof;
FIG. 8 is a bottom view thereof;
FIG. 9 is a bottom, front perspective view thereof; and,
FIG. 10 is a bottom, rear perspective view thereof.
Portions of the portable radiation detection system shown in phantom lines in FIGS. 1-10 form no part of the claimed design.

1 Claim, 10 Drawing Sheets

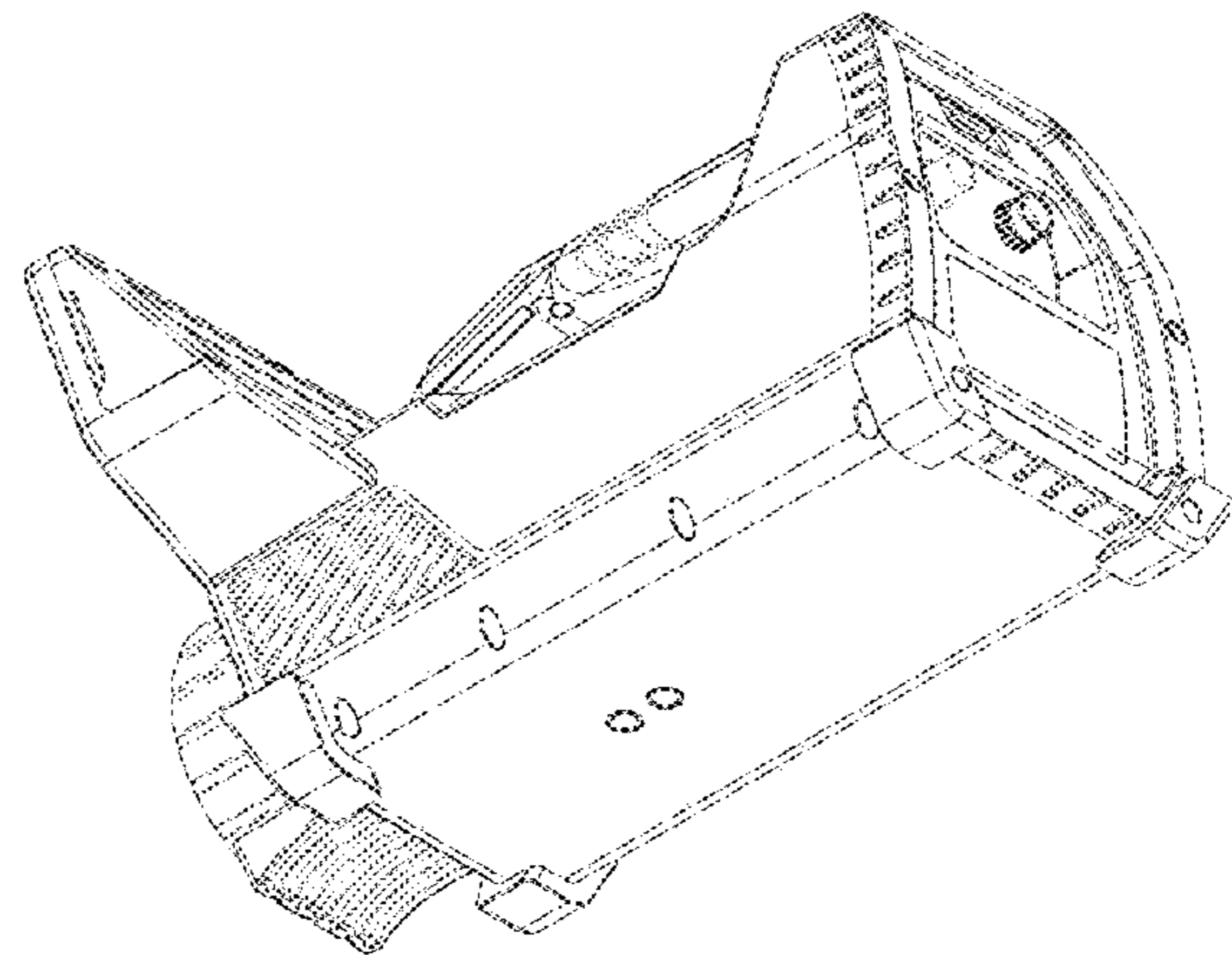
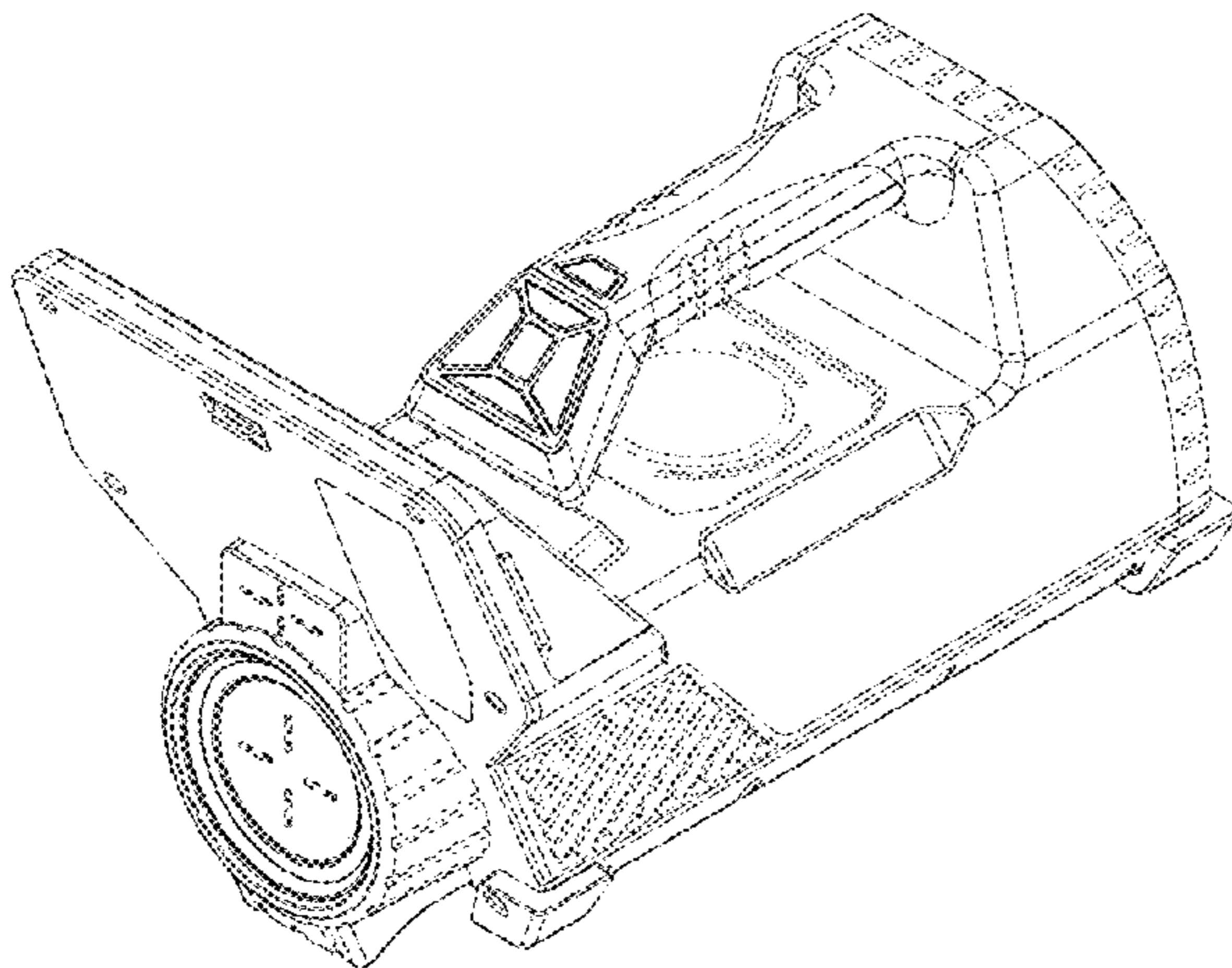


Fig. 1

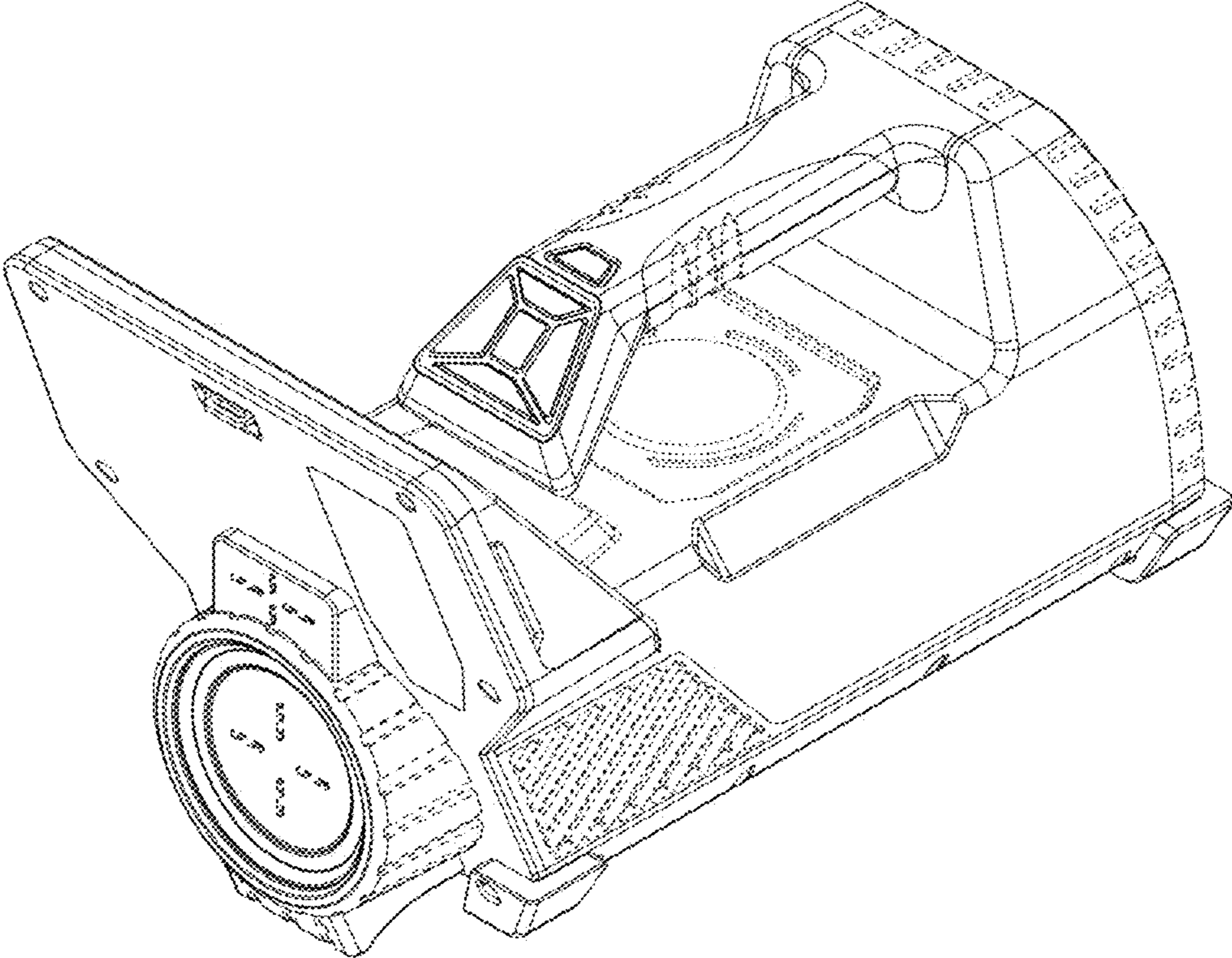


Fig. 2

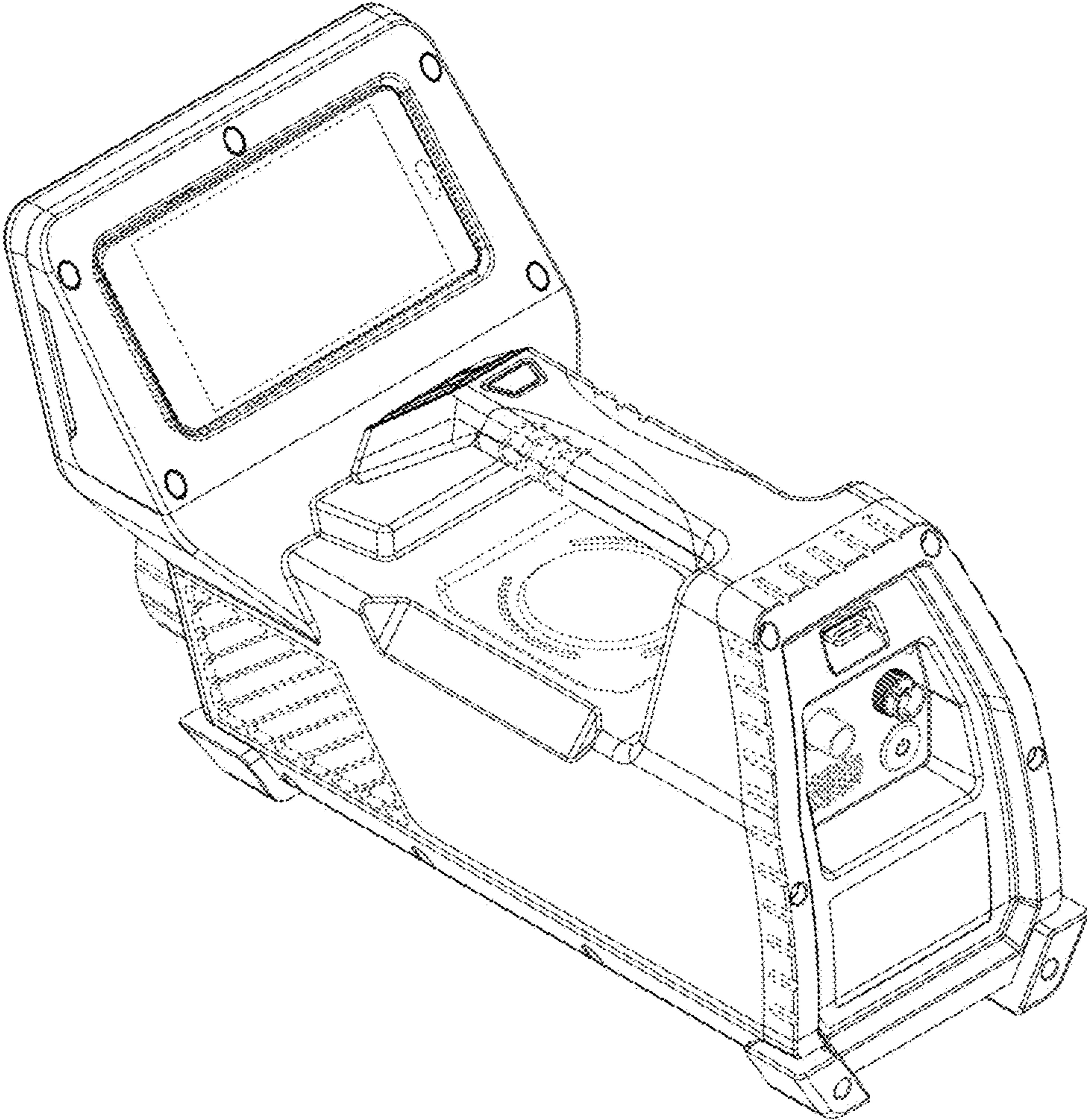


Fig. 3

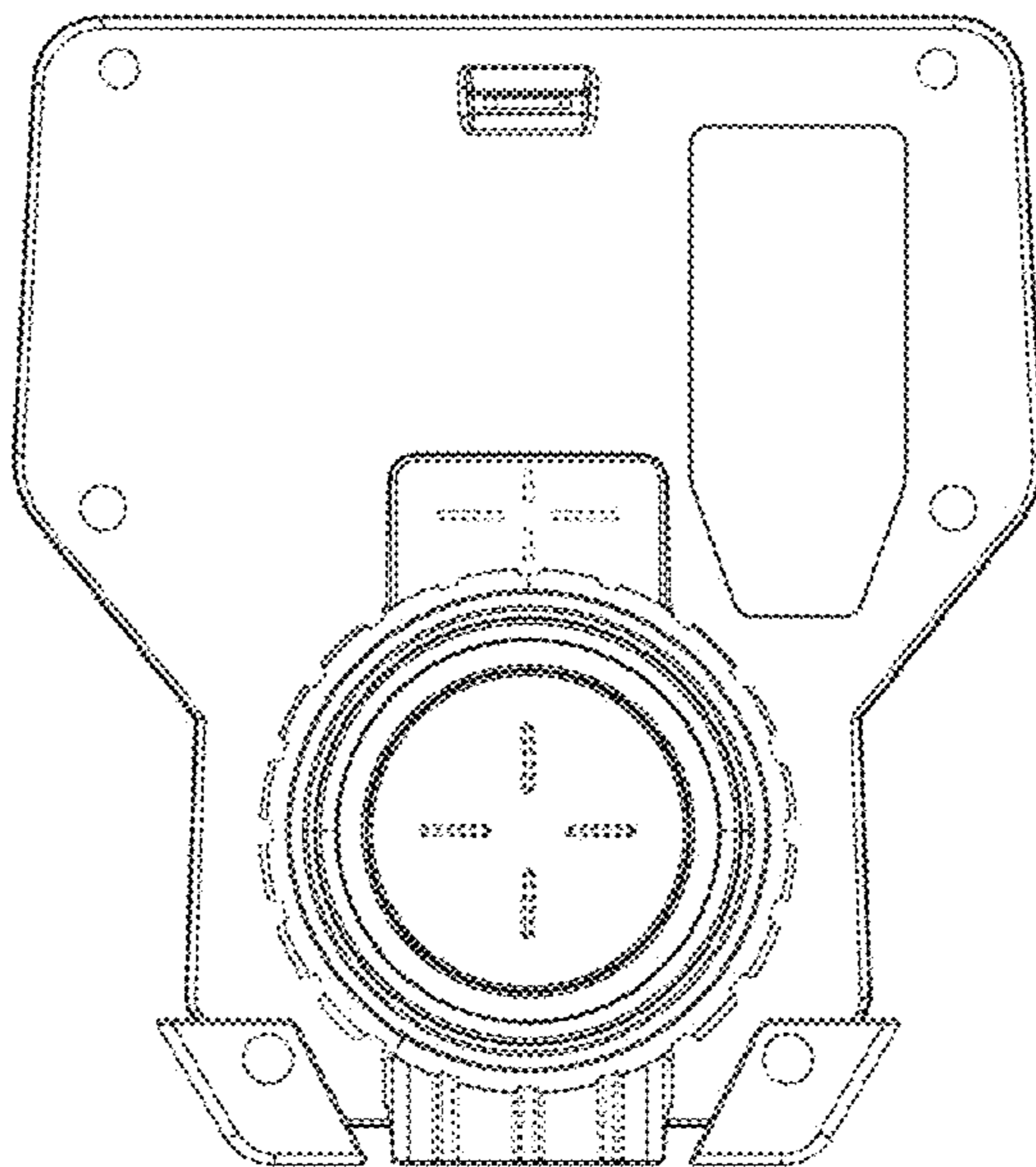


Fig. 4

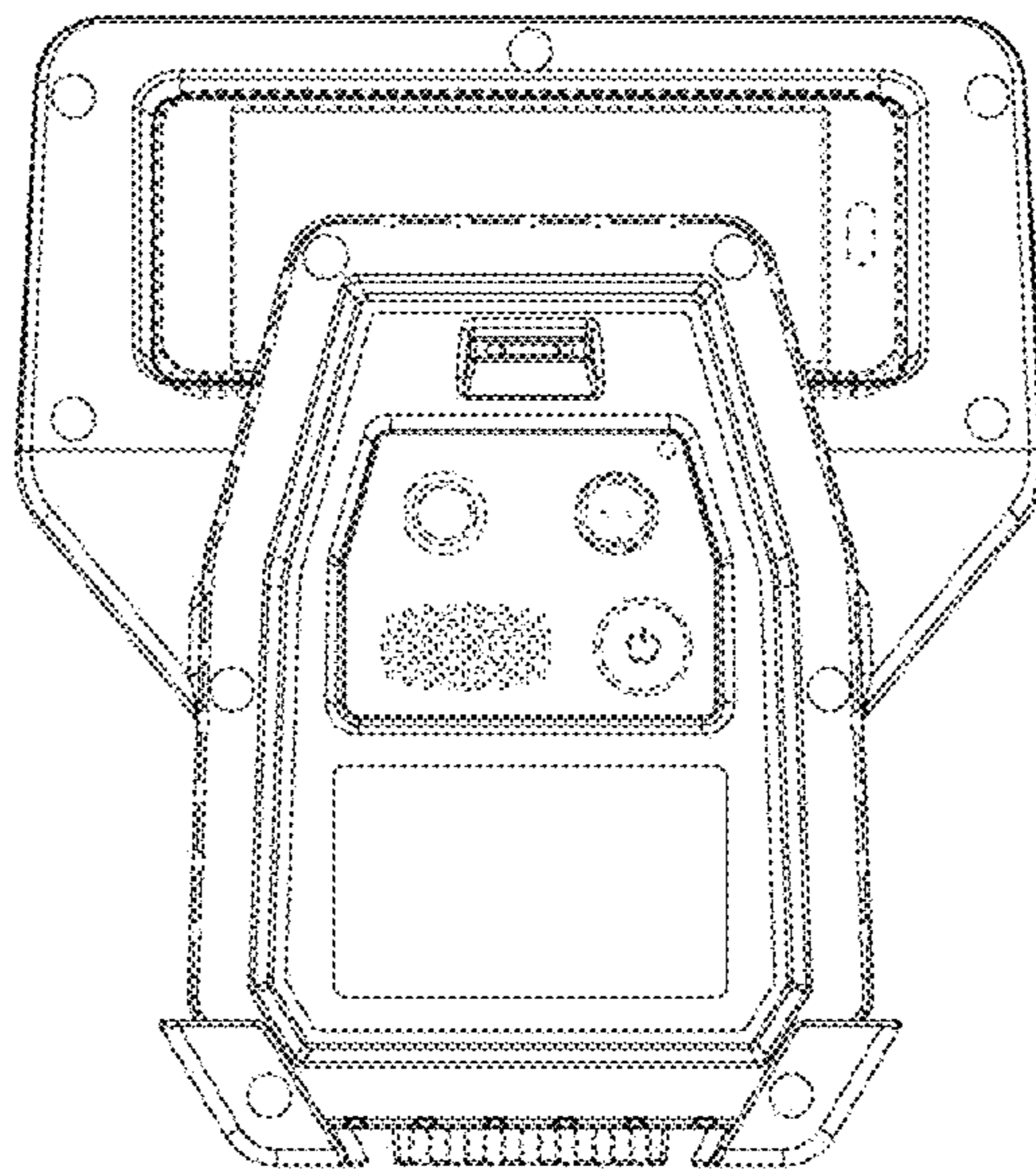


Fig. 5

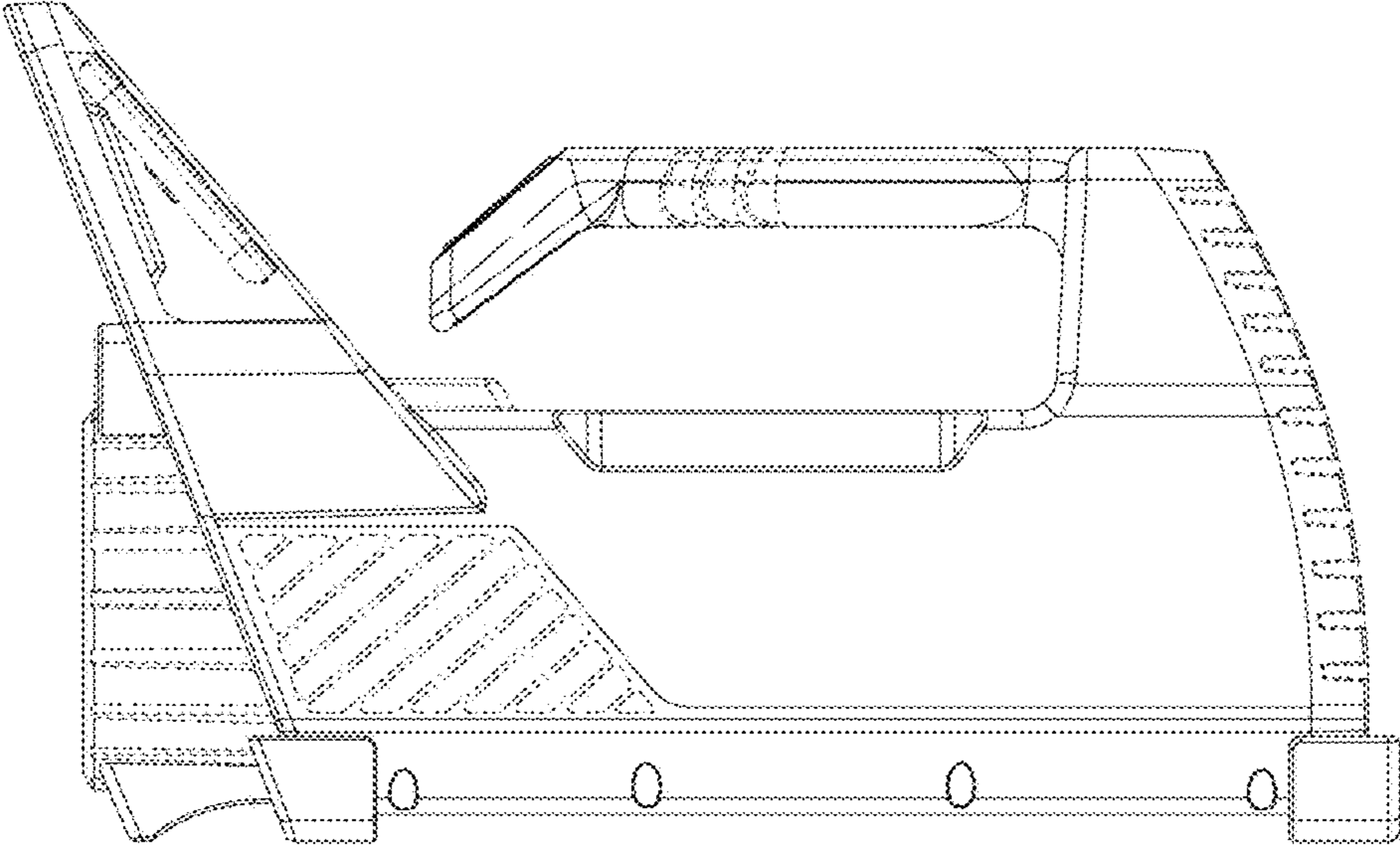


Fig. 6

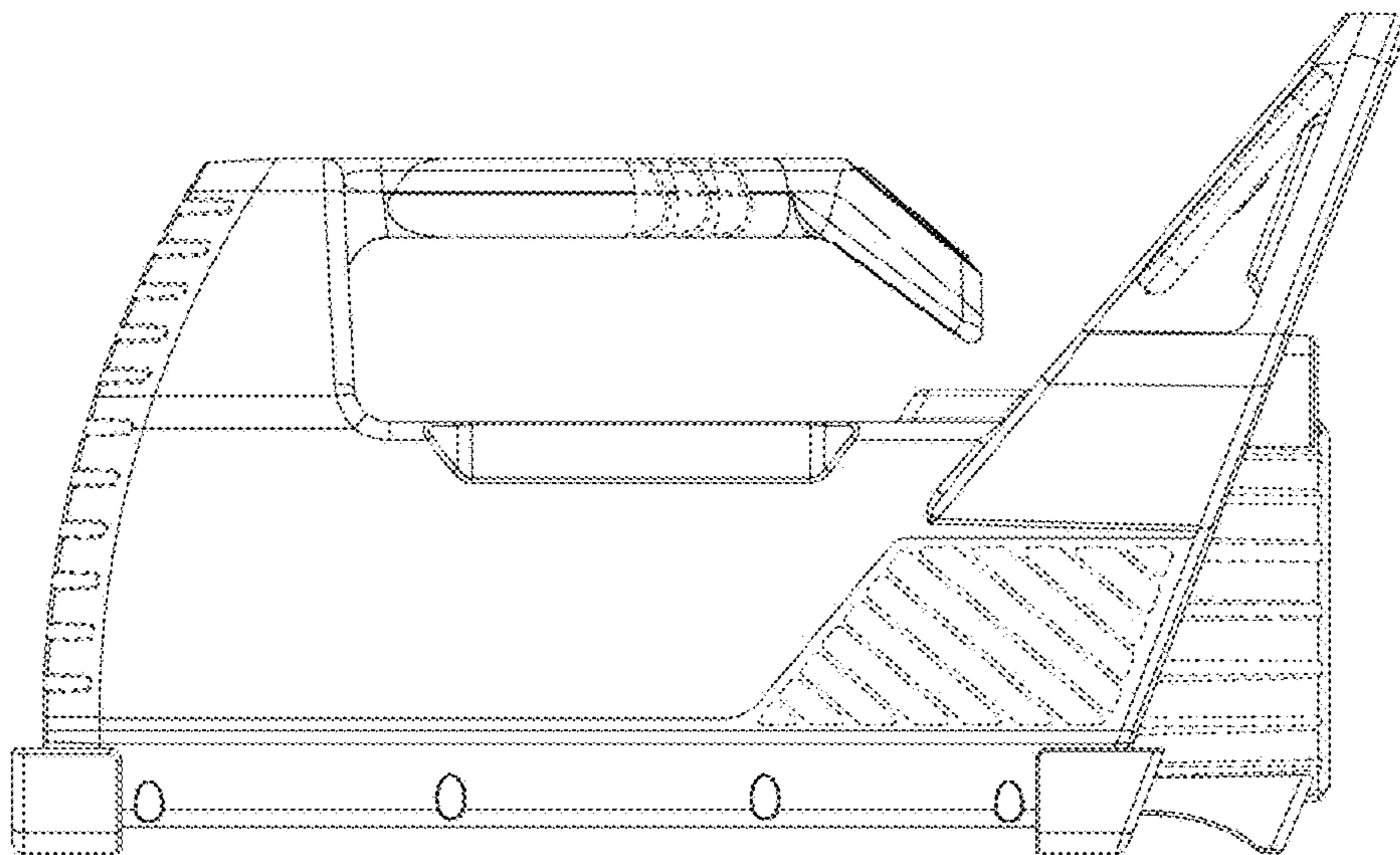


Fig. 7

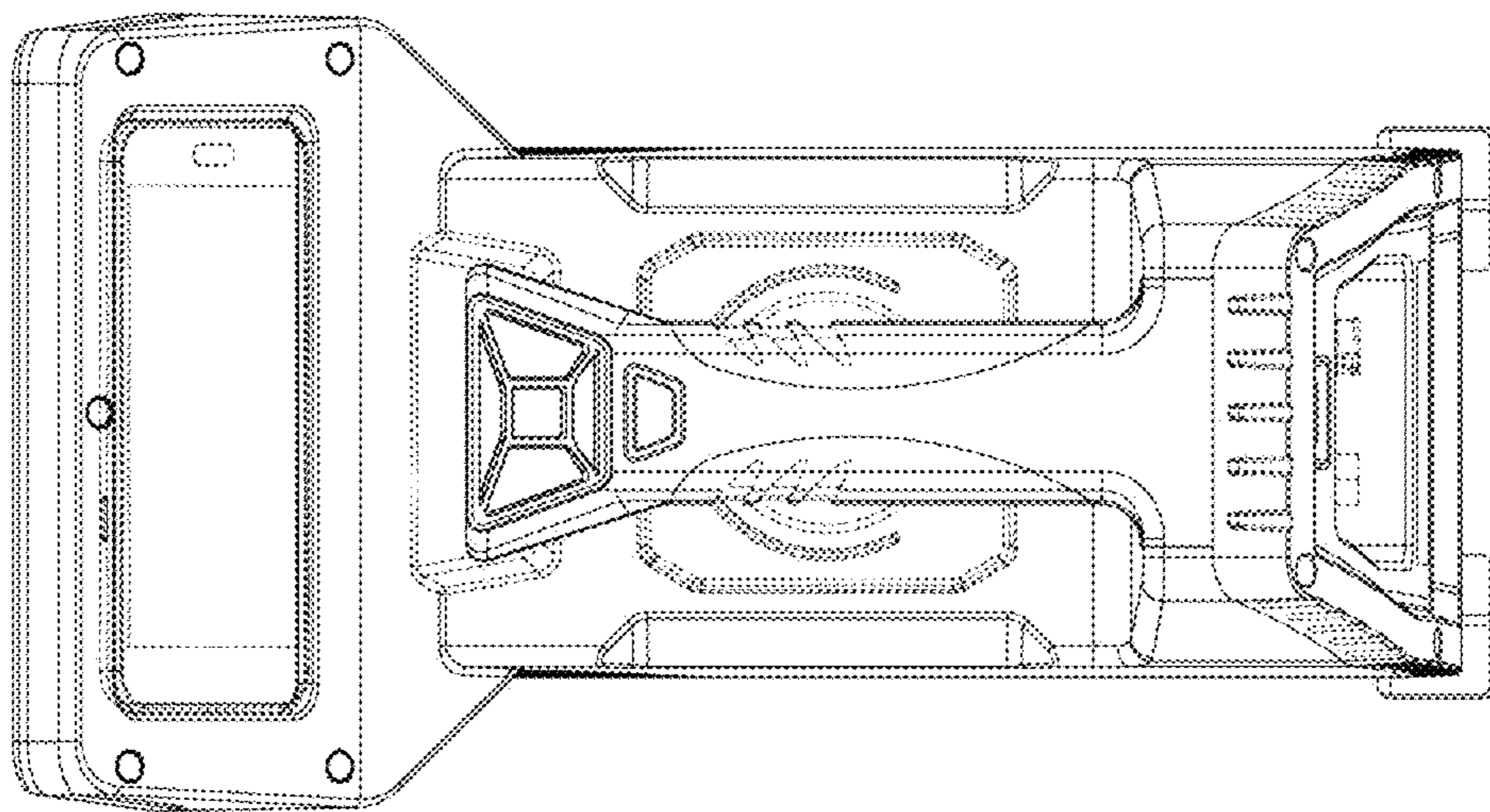


Fig. 8

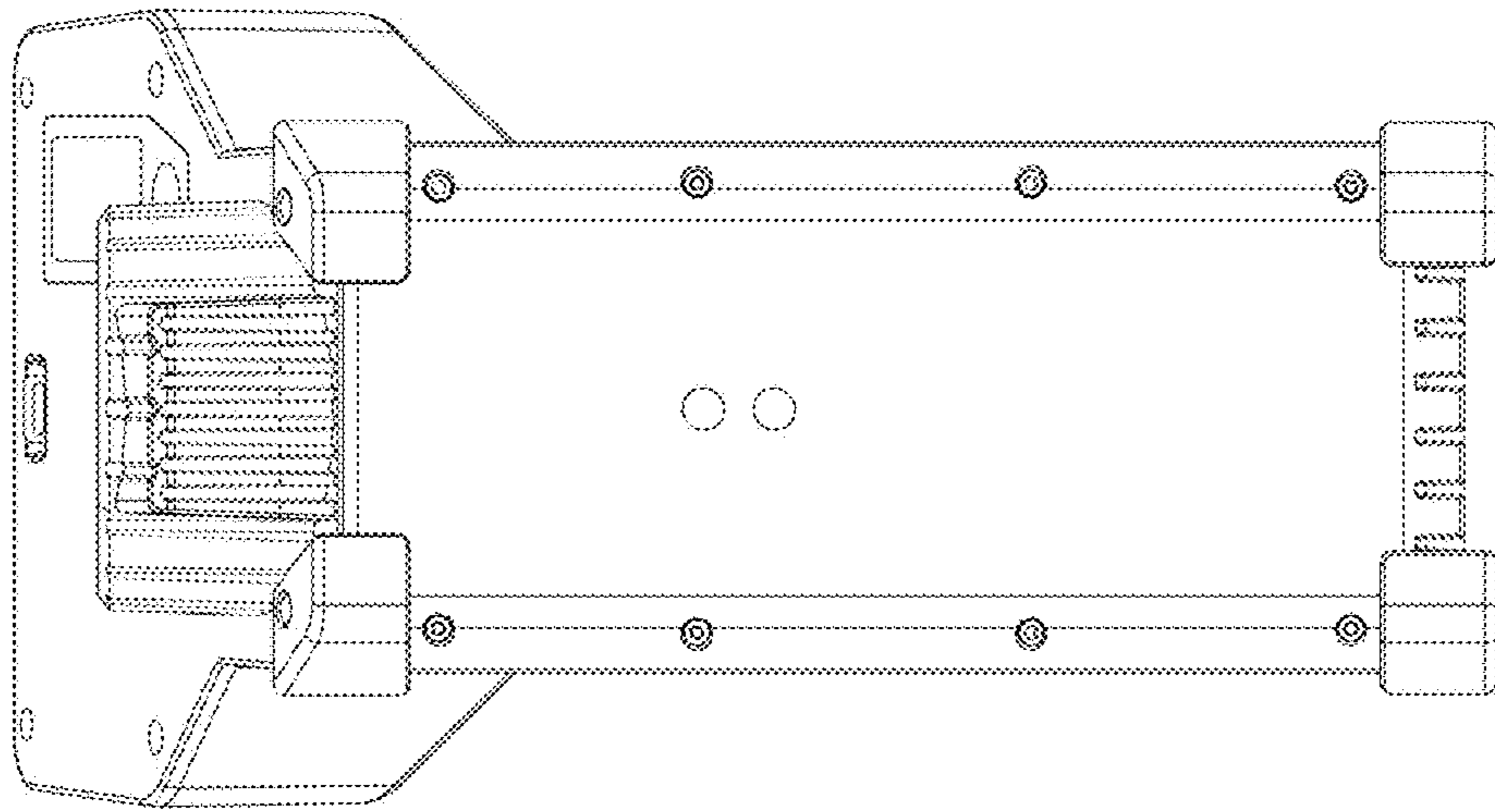


Fig. 9

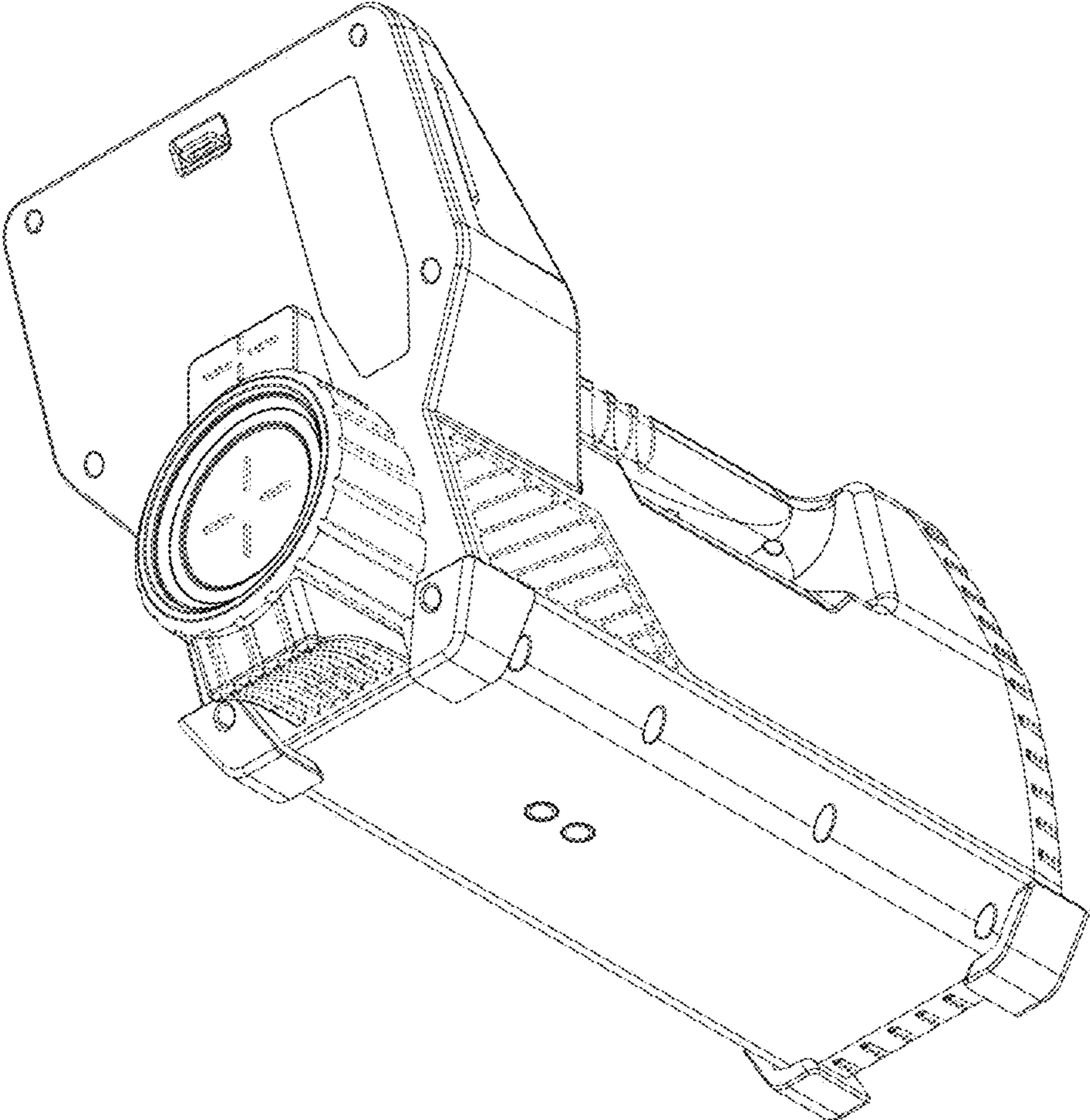


Fig. 10

