



US00D818847S

(12) **United States Design Patent**
Antifora

(10) **Patent No.:** **US D818,847 S**

(45) **Date of Patent:** **** May 29, 2018**

(54) **WATCH**

(71) Applicant: **Montblanc-Simplo GmbH**, Hamburg
(DE)

(72) Inventor: **Valerie Antifora**, La Chaux-de-Fonds
(CH)

(73) Assignee: **Montblanc-Simplo GmbH**, Hamburg
(DE)

(**) Term: **15 Years**

(21) Appl. No.: **29/587,733**

(22) Filed: **Dec. 15, 2016**

(51) **LOC (11) Cl.** **10-02**

(52) **U.S. Cl.**
USPC **D10/39**

(58) **Field of Classification Search**
USPC D10/14, 30-39, 65, 70, 122-132;
D14/344, 138 R; 368/127
CPC ... G04F 1/00; G04F 1/06; G04F 1/063; G04F
7/06; G04F 7/0861; G04F 7/0871; G04F
7/08; G04F 7/0804; G04F 7/0842; G04F
7/0876; G04B 19/00; G04B 19/02; G04B
19/04; G04B 19/06; G04B 19/08; G04B
19/26; G04B 19/24; G04B 39/00; G04B
39/002; G04B 39/004; G04B 39/006;
A01G 25/165; B05B 12/02

See application file for complete search history.

(56) **References Cited**

U.S. PATENT DOCUMENTS

D56,422 S * 10/1920 Goodrow D10/1
D78,664 S * 5/1929 Streng D10/127
D459,241 S * 6/2002 Bodino D10/32
D460,002 S * 7/2002 Wunderman D10/32
D473,473 S * 4/2003 Wunderman D10/32

D526,218 S * 8/2006 Krieger D10/39
D554,535 S * 11/2007 Journe D10/31
D559,131 S * 1/2008 Laucella D10/39
D571,230 S * 6/2008 Krieger D10/39
D578,413 S * 10/2008 Laucella D10/39
D602,381 S * 10/2009 Bodino D10/38
D620,827 S * 8/2010 Cerrato D10/126
D650,296 S * 12/2011 Laucella D10/39
D650,711 S * 12/2011 Laucella D10/39
D651,099 S * 12/2011 Ruffieux D10/38
D756,258 S * 5/2016 Ruffieux D10/126
D794,476 S * 8/2017 Laucella D10/30

OTHER PUBLICATIONS

Montblanc Star Twin Moonphase | posted at watchprosite.com Jun. 13, 2014 [online][site visited Sep. 23, 2017]. Available from Internet: <<http://www.watchprosite.com/page-wf.forumpost/fi-1006/ti-935308/pi-6460918/>>.*

(Continued)

Primary Examiner — Sandra S Snapp
Assistant Examiner — Katherine Glennon
(74) *Attorney, Agent, or Firm* — Taft Stettinius & Hollister LLP

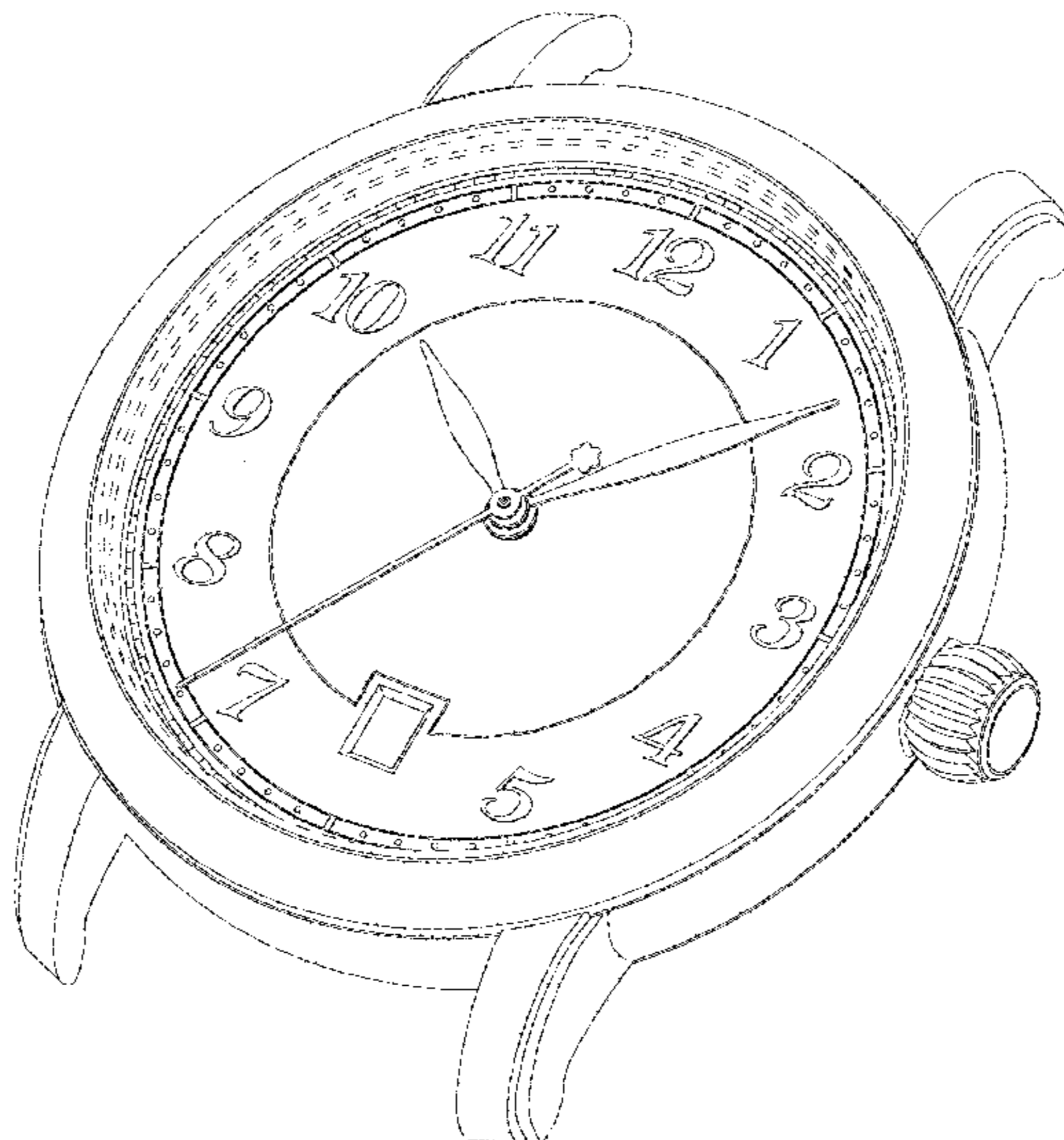
(57) **CLAIM**

The ornamental design for a watch, as shown and described.

DESCRIPTION

FIG. 1 is a top plan view of a watch showing my new design; FIG. 2 is a bottom plan view thereof; FIG. 3 is a right side elevational view thereof; FIG. 4 is a left side elevational view thereof; FIG. 5 is a front elevational view thereof; FIG. 6 is a rear elevational view thereof; and, FIG. 7 is a right, top perspective view thereof. The broken lines in the drawing figures depict unclaimed subject matter that form no part of the claimed design.

1 Claim, 7 Drawing Sheets



(56)

References Cited

OTHER PUBLICATIONS

A Lange Sohne 1815 Watch | posted at ablogtowaatch.com Dec. 5, 2015 © 2007-2017 aBlogtoWatch [online][site visited Sep. 23, 2017]. Available from Internet: <<http://www.ablogtowaatch.com/a-lange-sohne-1815-200th-anniversary-f-a-lange-watch/>>.*

* cited by examiner



Fig. 1

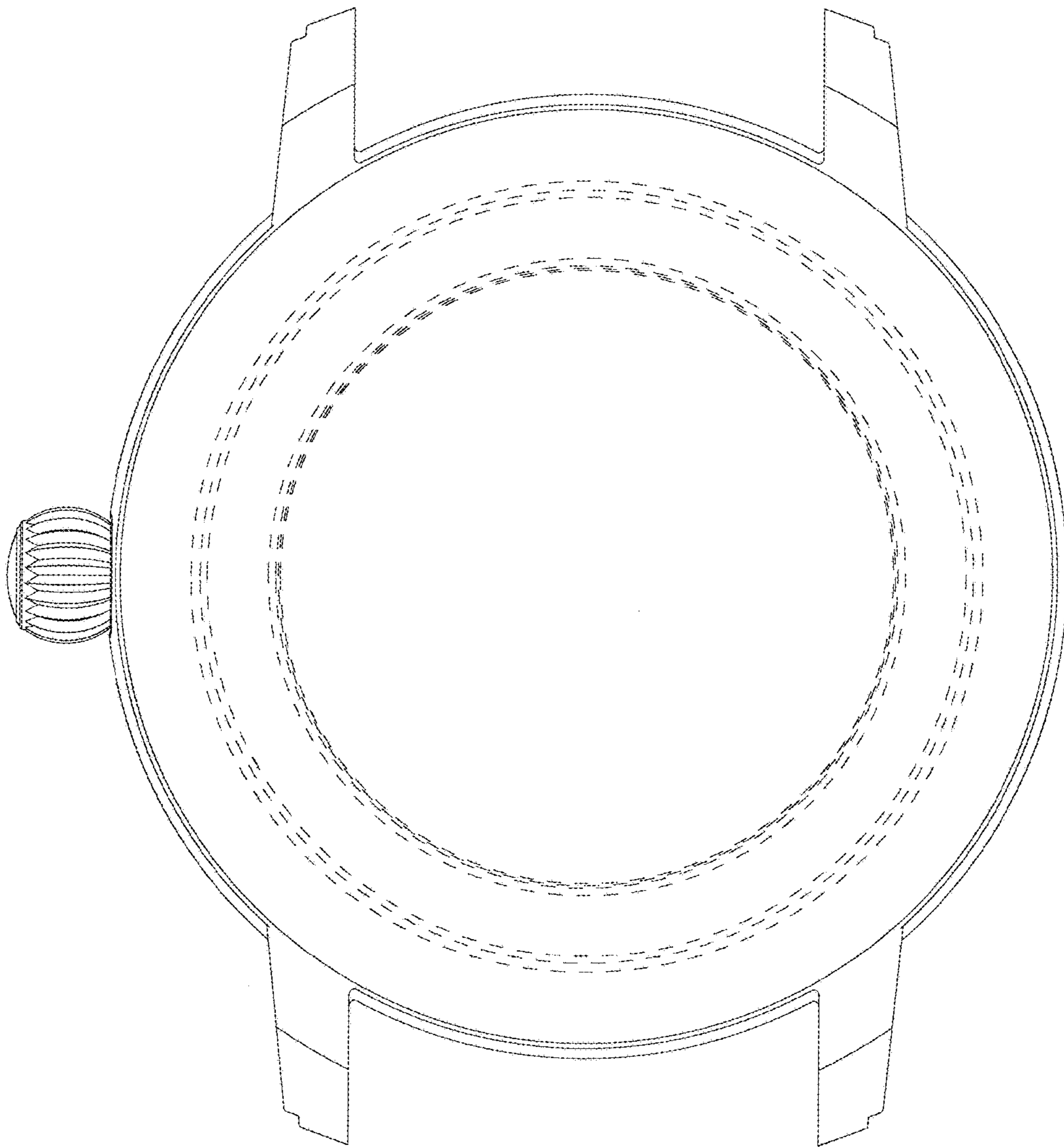


Fig. 2

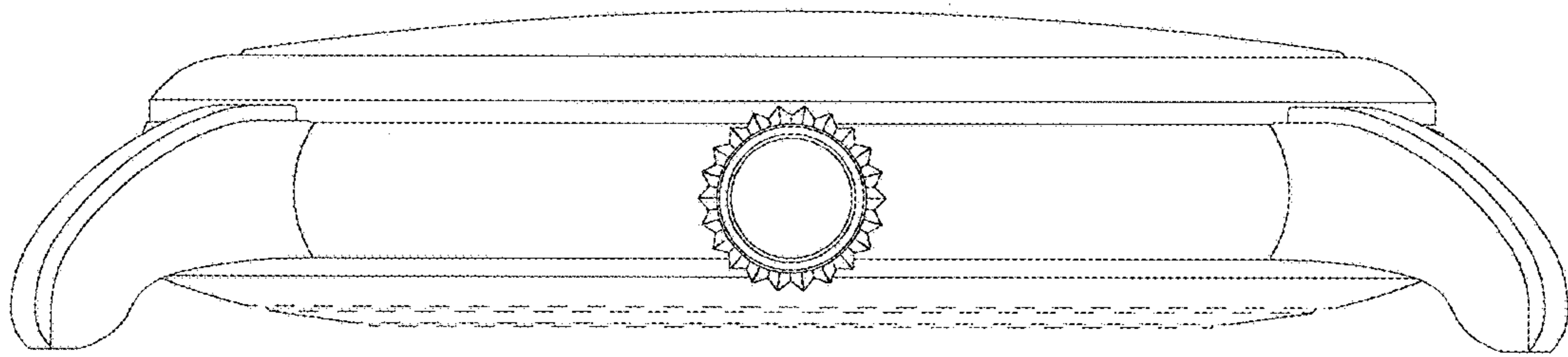


Fig. 3

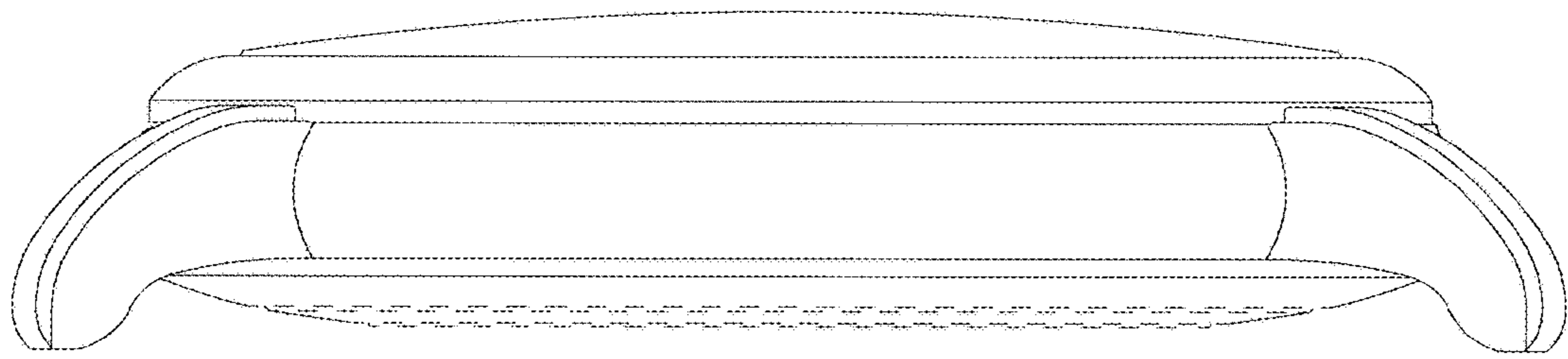


Fig. 4

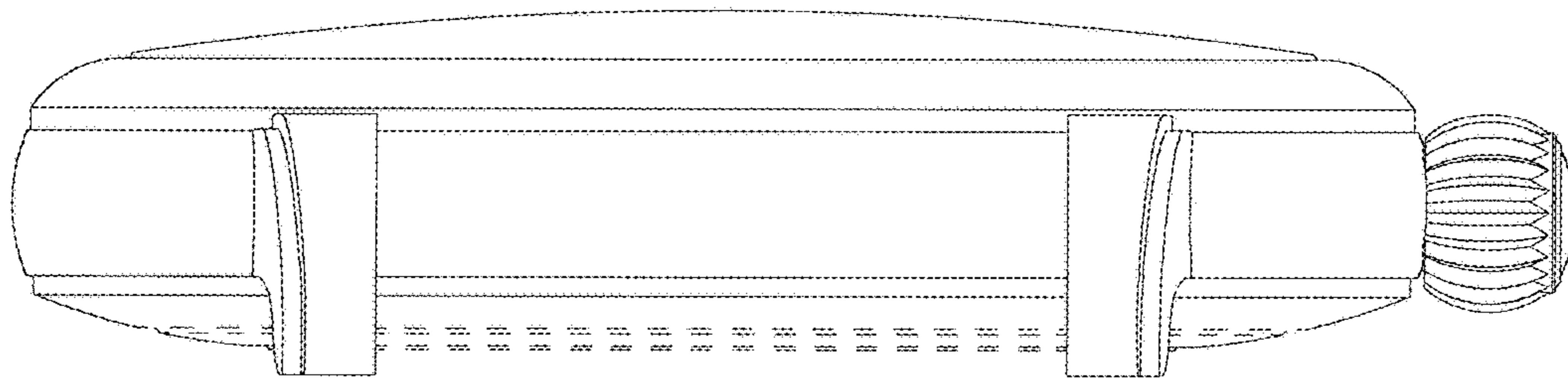


Fig. 5

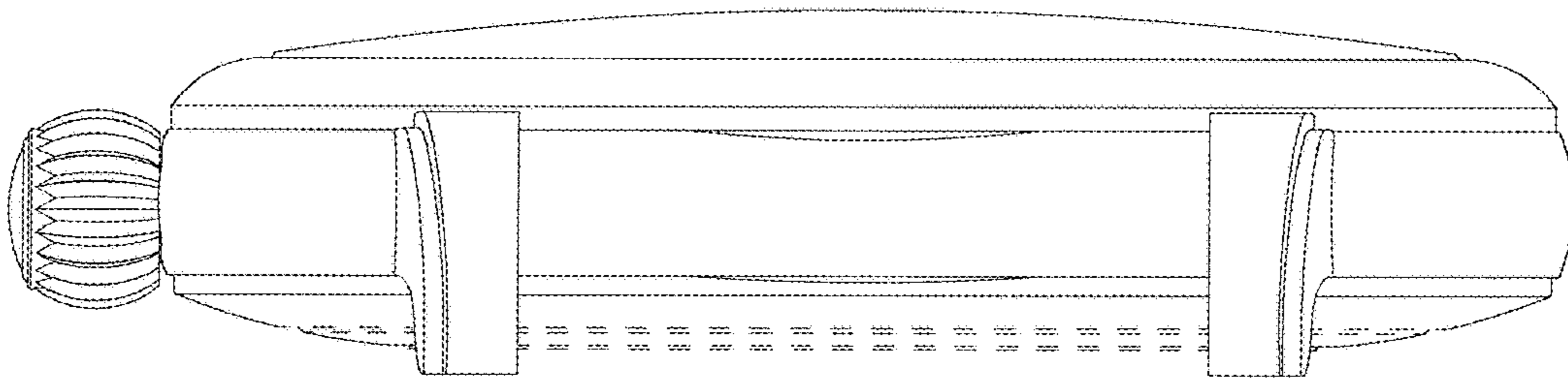


Fig. 6

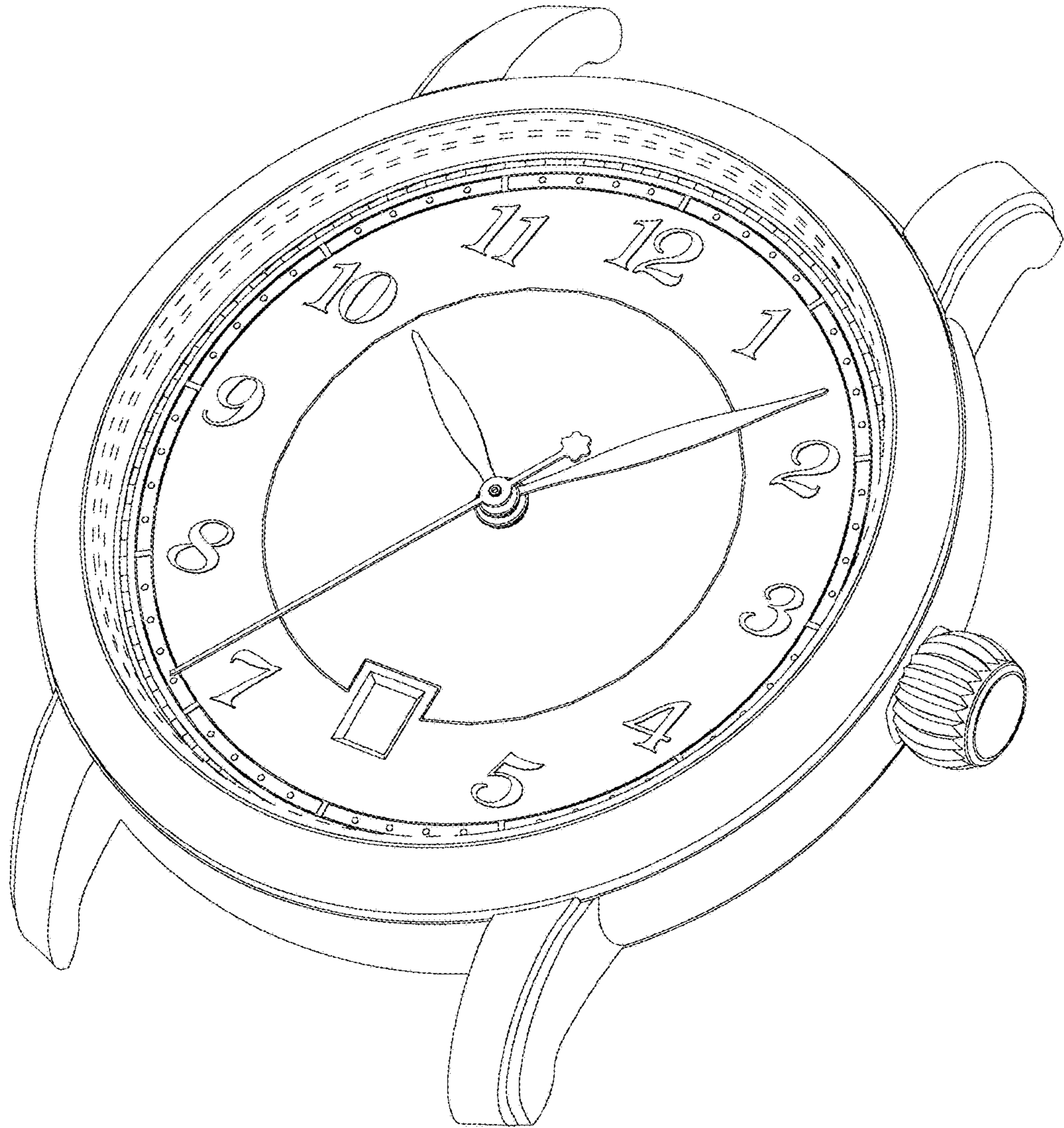


Fig. 7