



US00D818846S

(12) **United States Design Patent** (10) **Patent No.:** **US D818,846 S**  
**Duval** (45) **Date of Patent:** **\*\* May 29, 2018**

(54) **WATCH**

(71) Applicant: **SEVENFRIDAY AG**, Zürich (CH)

(72) Inventor: **Arnaud Duval**, Bienne (CH)

(\*\*) Term: **15 Years**

(21) Appl. No.: **35/501,754**

(22) Filed: **Sep. 11, 2016**

(80) **Hague Agreement Data**

Int. Filing Date: **Sep. 11, 2016**  
 Int. Reg. No.: **DM/092933**  
 Int. Reg. Date: **Sep. 11, 2016**  
 Int. Reg. Pub. Date: **Oct. 21, 2016**

(30) **Foreign Application Priority Data**

Mar. 11, 2016 (CH) ..... 1421/98

(51) **LOC (11) Cl.** ..... **10-02**

(52) **U.S. Cl.**  
USPC ..... **D10/38**

(58) **Field of Classification Search**  
USPC ..... D10/39, 125, 30, 126, 38, 21  
See application file for complete search history.

(56) **References Cited**

**U.S. PATENT DOCUMENTS**

D588,025 S \* 3/2009 Belamich ..... D10/39  
 D598,304 S \* 8/2009 Belamich ..... D10/39

D659,042 S \* 5/2012 Gruosi ..... D10/125  
 D747,979 S \* 1/2016 Babcock ..... D10/30  
 D749,433 S \* 2/2016 Duval ..... D10/125  
 D761,668 S \* 7/2016 Duval ..... D10/126  
 D772,866 S \* 11/2016 Park ..... D10/38  
 D773,317 S \* 12/2016 Duval ..... D10/21  
 D773,457 S \* 12/2016 Park ..... D10/38  
 D782,923 S \* 4/2017 Belamich ..... D10/39

\* cited by examiner

*Primary Examiner* — George D. Kirschbaum  
 (74) *Attorney, Agent, or Firm* — Gordon & Jacobson,  
 P.C.

(57) **CLAIM**

The ornamental design for a watch, as shown and described.

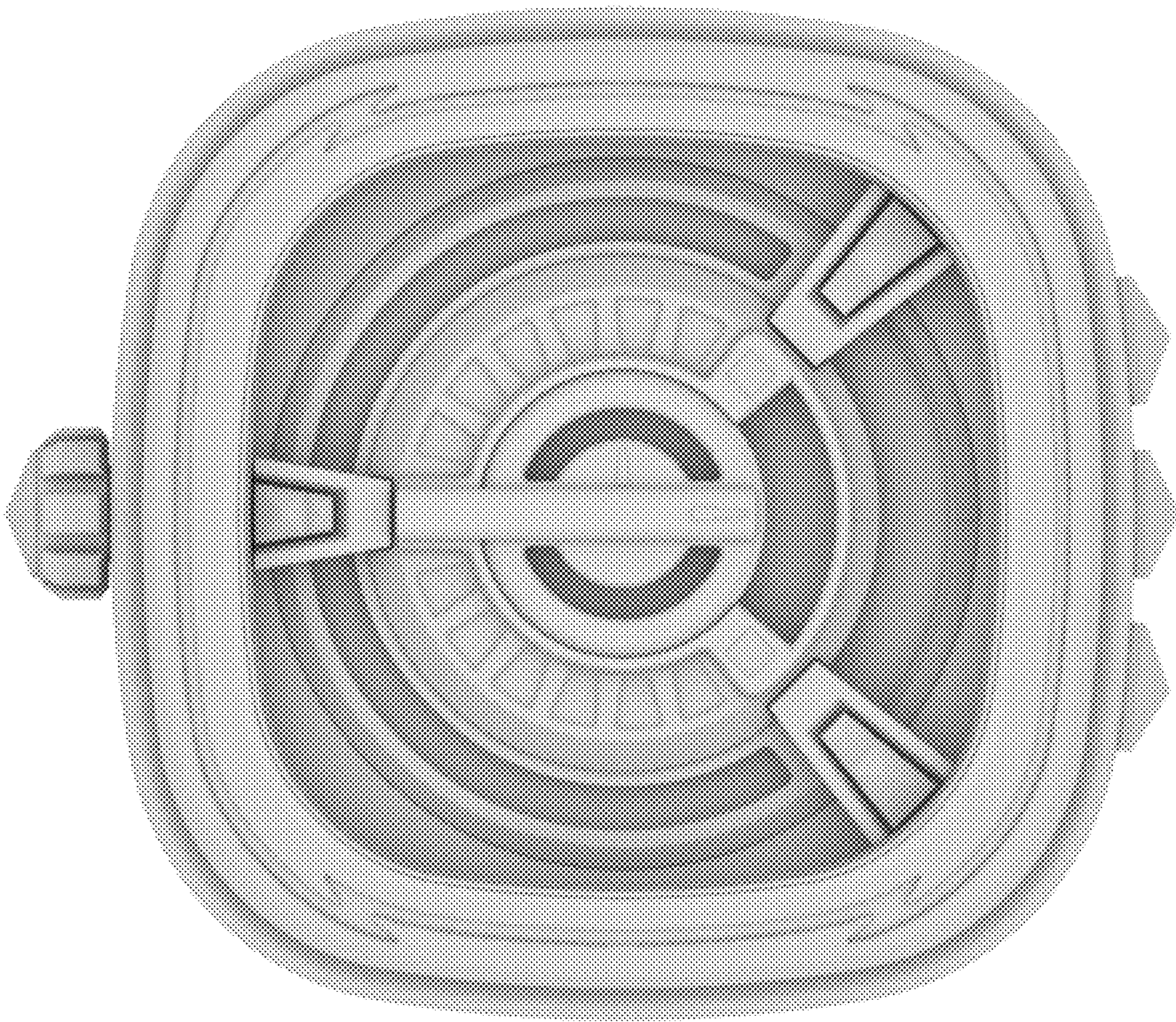
**DESCRIPTION**

- 1. Watch
- 1.1 : Top
- 1.2 : Perspective
- 1.3 : Bottom
- 1.4 : Perspective
- 1.5 : Back
- 1.6 : Front
- 1.7 : Left
- 1.8 : Right

**1 Claim, 8 Drawing Sheets**



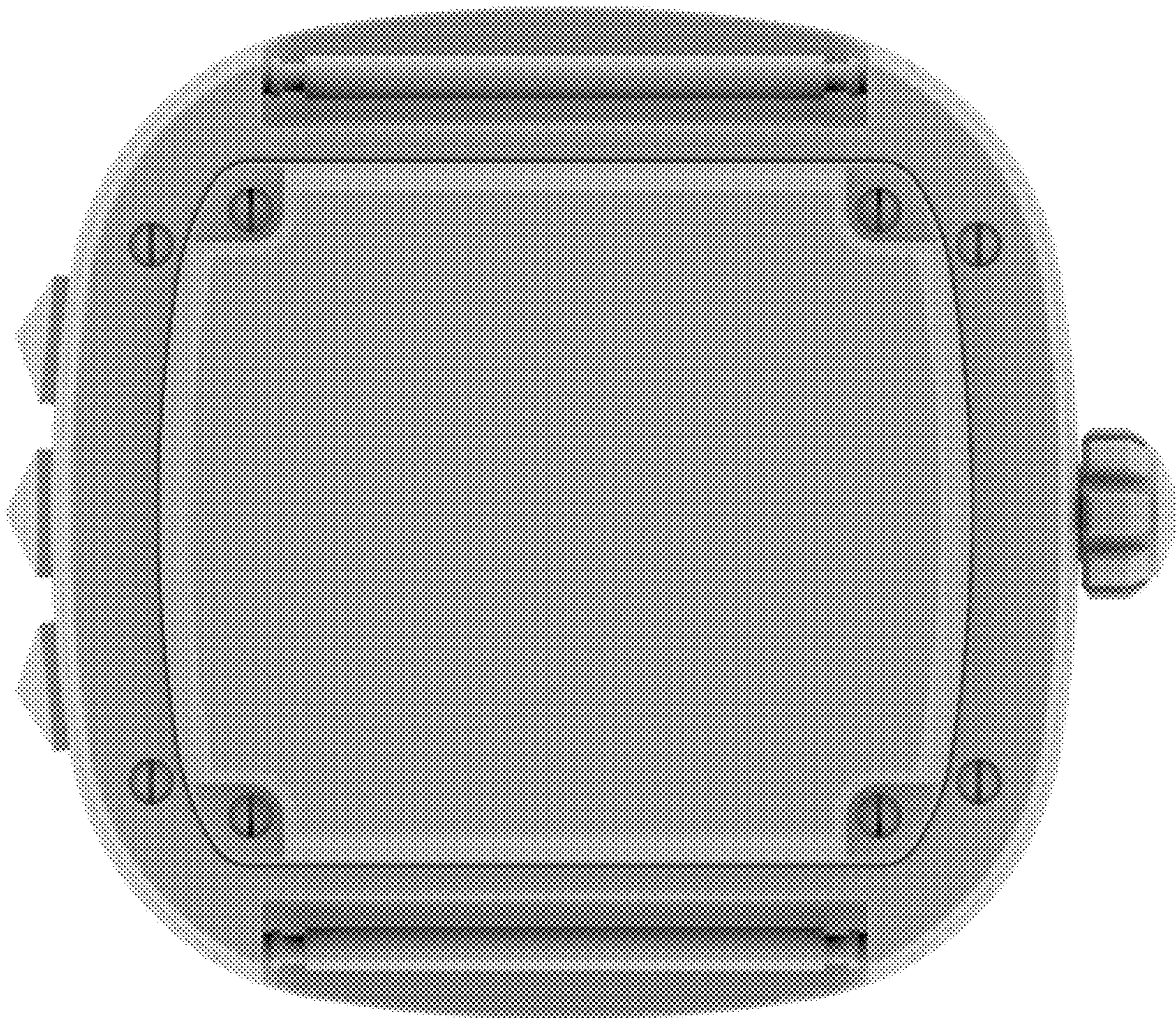
1.1



1.2



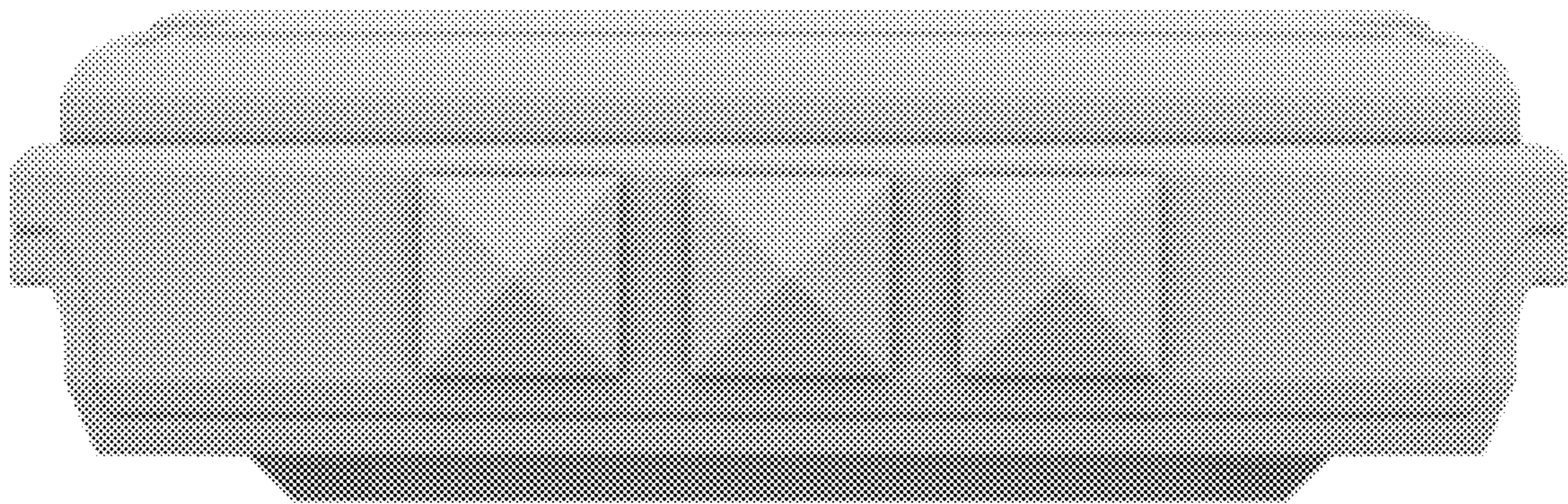
1.3



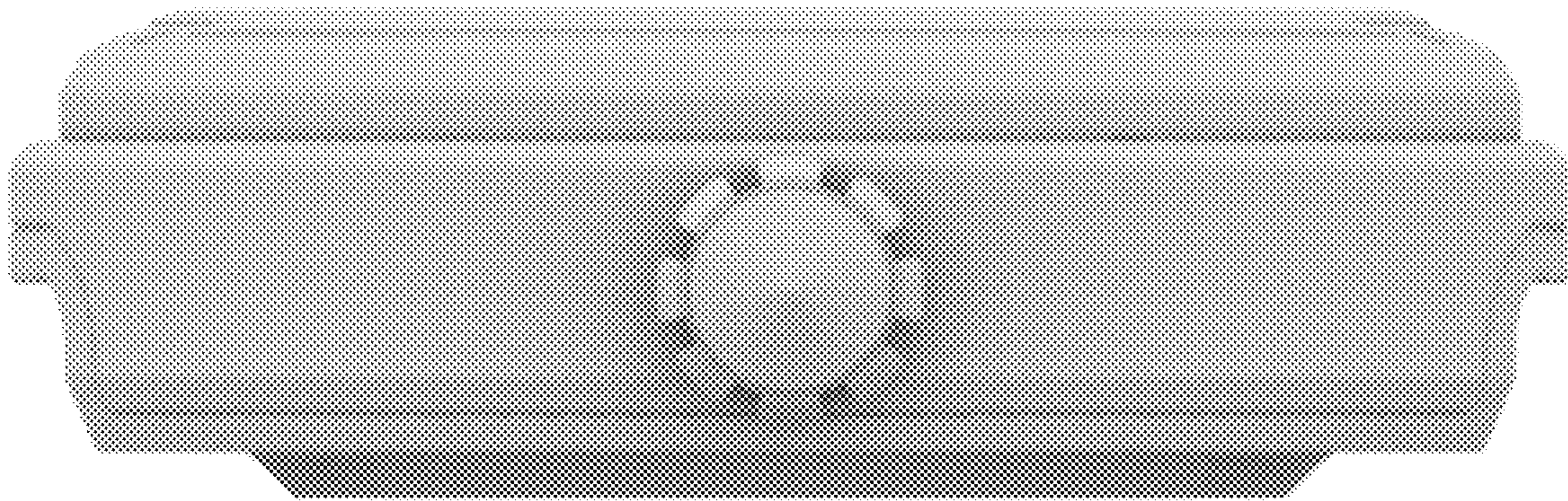
1.4



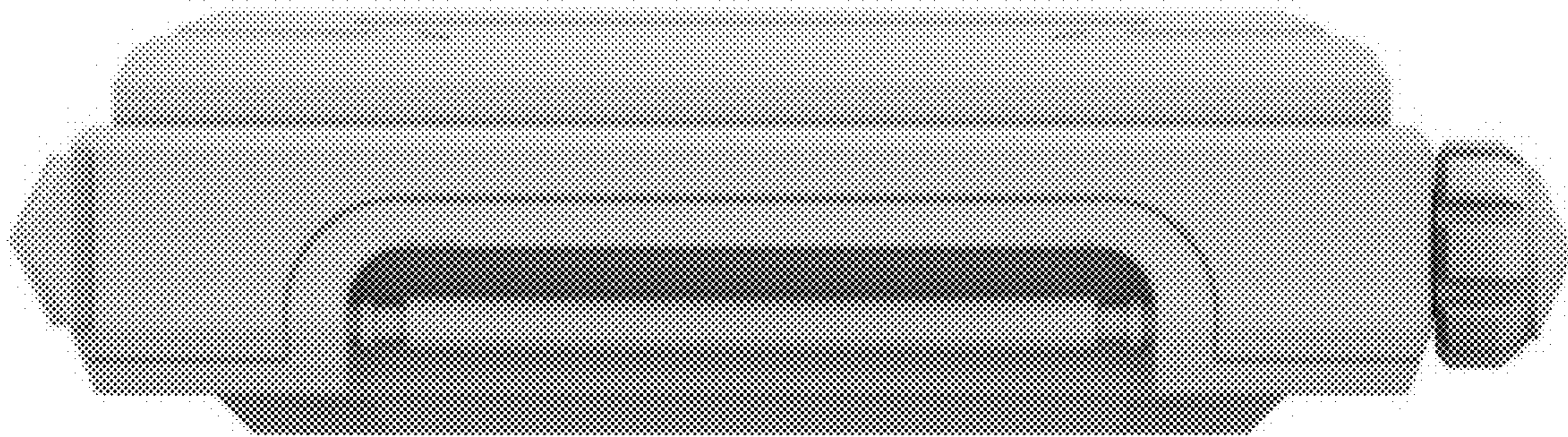
1.5



**1.6**



1.7





1.8

