



US00D818845S

(12) **United States Design Patent**
Tan et al.

(10) **Patent No.:** **US D818,845 S**
(45) **Date of Patent:** **** May 29, 2018**

(54) **WATCH**

(71) Applicant: **Razer (Asia-Pacific) Pte. Ltd.**,
Singapore (SG)

(72) Inventors: **Min-Liang Tan**, Singapore (SG);
Francois Dominique Claude Laine,
San Francisco, CA (US); **Stephane J.**
Blanchard, San Francisco, CA (US);
Farrukh Raza Rizvi, Singapore (SG)

(73) Assignee: **RAZER (ASIA-PACIFIC) PTE. LTD.**,
Singapore (SG)

(**) Term: **15 Years**

(21) Appl. No.: **29/545,431**

(22) Filed: **Nov. 12, 2015**

(51) **LOC (11) Cl.** **10-02**

(52) **U.S. Cl.**
USPC **D10/32**

(58) **Field of Classification Search**
USPC D10/1, 4, 6, 15, 30-39, 41, 44-45, 65,
D10/122-126, 131-132; D14/344
CPC G04B 19/00; G04B 19/025; G04B 19/04;
G04B 19/046; G04B 19/048; G04B
19/06; G04B 19/08; G04B 19/085; G04B
19/087; G04B 19/10; G04B 19/103;
G04B 19/106; G04B 47/042; G04B
47/04; G04B 19/11; G04B 19/16; G04B
19/166; G04B 19/18; G04B 19/22; G04B
19/223; G04B 19/24; G04B 19/30; G04B
37/00; G04B 37/0008; G04B 37/02;
G04B 37/04; G04B 37/12; G04B 39/002;
G04B 39/006; G04B 39/008; G04B
45/0069; G04B 45/0076; G04B 45/04;
G04B 45/00

See application file for complete search history.

(56) **References Cited**

U.S. PATENT DOCUMENTS

4,995,023 A * 2/1991 Muller G04B 37/0008
368/276
D315,514 S * 3/1991 Weil D10/32

D360,369 S * 7/1995 Wong D10/30
D361,529 S * 8/1995 Sakai D10/30
D378,575 S * 3/1997 Houlihan D10/30
5,631,880 A * 5/1997 Houlihan G04B 19/283
368/286
D386,983 S * 12/1997 Houlihan D10/30
D394,399 S * 5/1998 Matsuda D10/30

(Continued)

OTHER PUBLICATIONS

Casio G-shock G-LIDE GWX-8900 | posted at forums.watchuseek.com 2012 © 2017 DragonByte Technologies Ltd [online][site visited Oct. 25, 2017]. Available from Internet: <http://forums.watchuseek.com/f17/now-i-can-say-i-have-collection-715660.html> (Year: 2012).*

Primary Examiner — Sandra S Snapp

Assistant Examiner — Katherine Glennon

(74) *Attorney, Agent, or Firm* — Polsinelli PC

(57) **CLAIM**

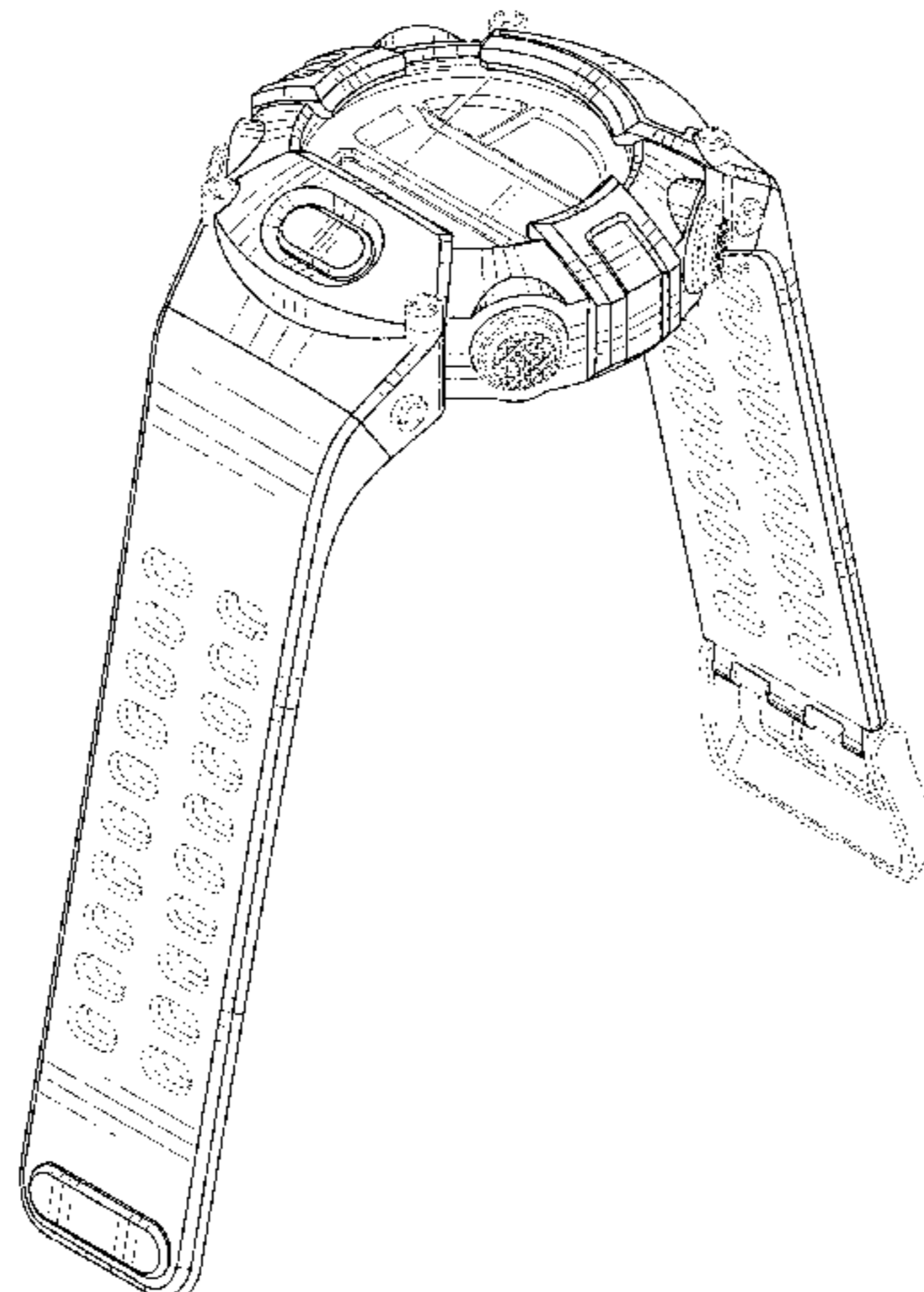
We claim the ornamental design for a watch, as shown and described.

DESCRIPTION

FIG. 1 is a perspective view of a watch in an open configuration, showing my new design;
FIG. 2 is a front elevational view thereof;
FIG. 3 is a rear elevational view thereof;
FIG. 4 is a right side elevational view thereof;
FIG. 5 is a left side elevational view thereof;
FIG. 6 is a top plan view thereof;
FIG. 7 is a bottom plan view thereof; and,
FIG. 8 is a perspective view thereof in a closed configuration.

The broken lines in the drawings show portions of the watch that form no part of the claimed design. FIGS. 1 and 8 show the watch at a larger scale.

1 Claim, 8 Drawing Sheets



(56)

References Cited

U.S. PATENT DOCUMENTS

D397,300	S	*	8/1998	Chen	D10/30
D402,899	S	*	12/1998	Matsuda	D10/30
D407,333	S	*	3/1999	Akagi	D10/30
D416,496	S	*	11/1999	Matsuda	D10/30
D418,429	S	*	1/2000	Goto	D10/30
D418,761	S	*	1/2000	Iwamoto	D10/30
D426,778	S	*	6/2000	Kojima	D10/30
D429,467	S	*	8/2000	Kojima	D10/30
D434,988	S	*	12/2000	Kojima	D10/30
D441,662	S	*	5/2001	Matsuda	D10/30
D449,555	S	*	10/2001	Matsuda	D10/132
D503,346	S	*	3/2005	Akagi	D10/30
D546,710	S	*	7/2007	Watanabe	D10/31
D584,172	S	*	1/2009	Soltani	D10/39
D619,909	S	*	7/2010	Moriai	D10/39
8,911,143	B2	*	12/2014	Kitahara	G04B 3/04 368/308
D733,578	S	*	7/2015	Ikezu	D10/30
D740,137	S	*	10/2015	Syoubayashi	D10/38
D742,253	S	*	11/2015	Syoubayashi	D10/30
D776,550	S	*	1/2017	Nakai	D10/132
D781,159	S	*	3/2017	Goto	D10/38

* cited by examiner

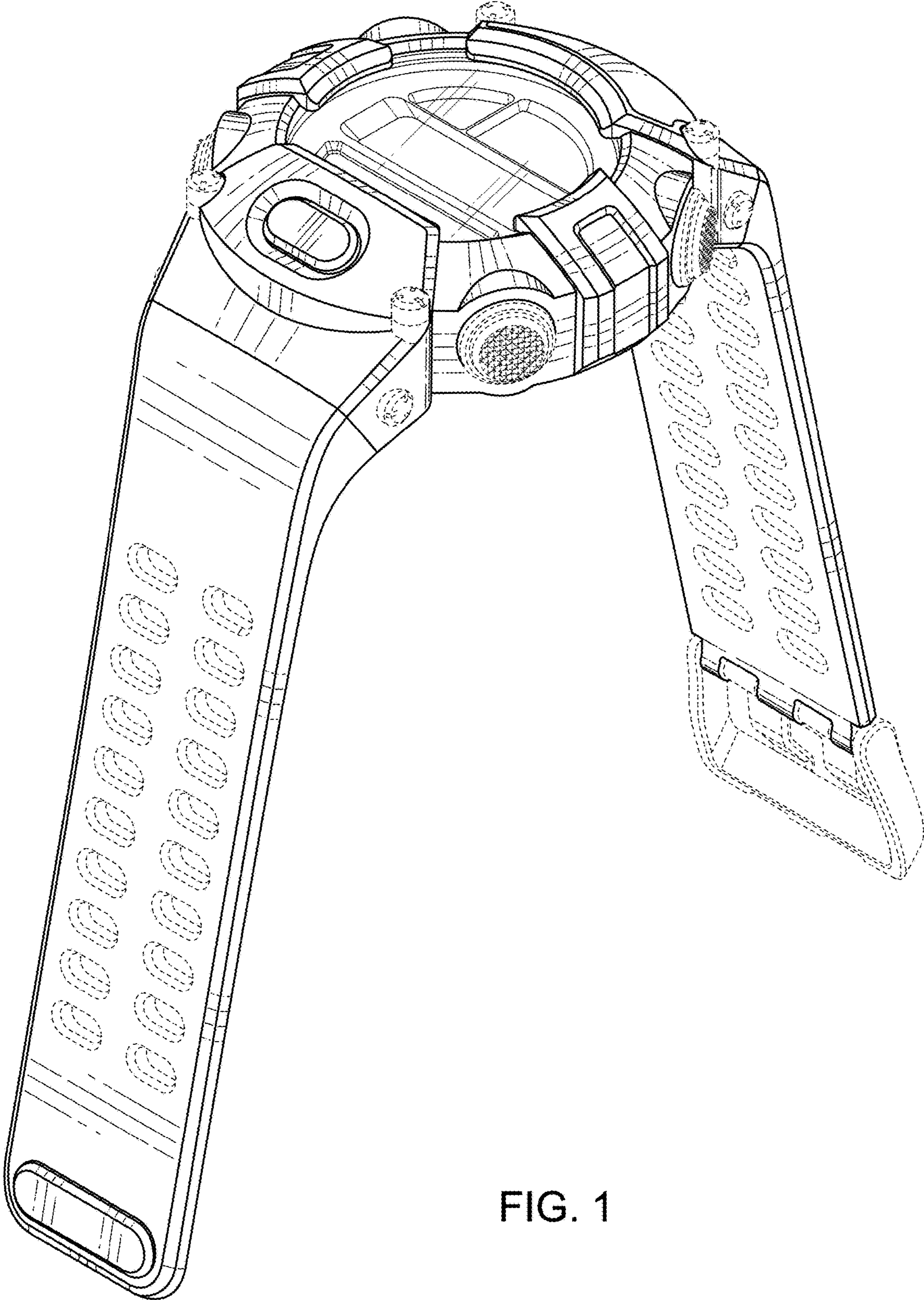


FIG. 1

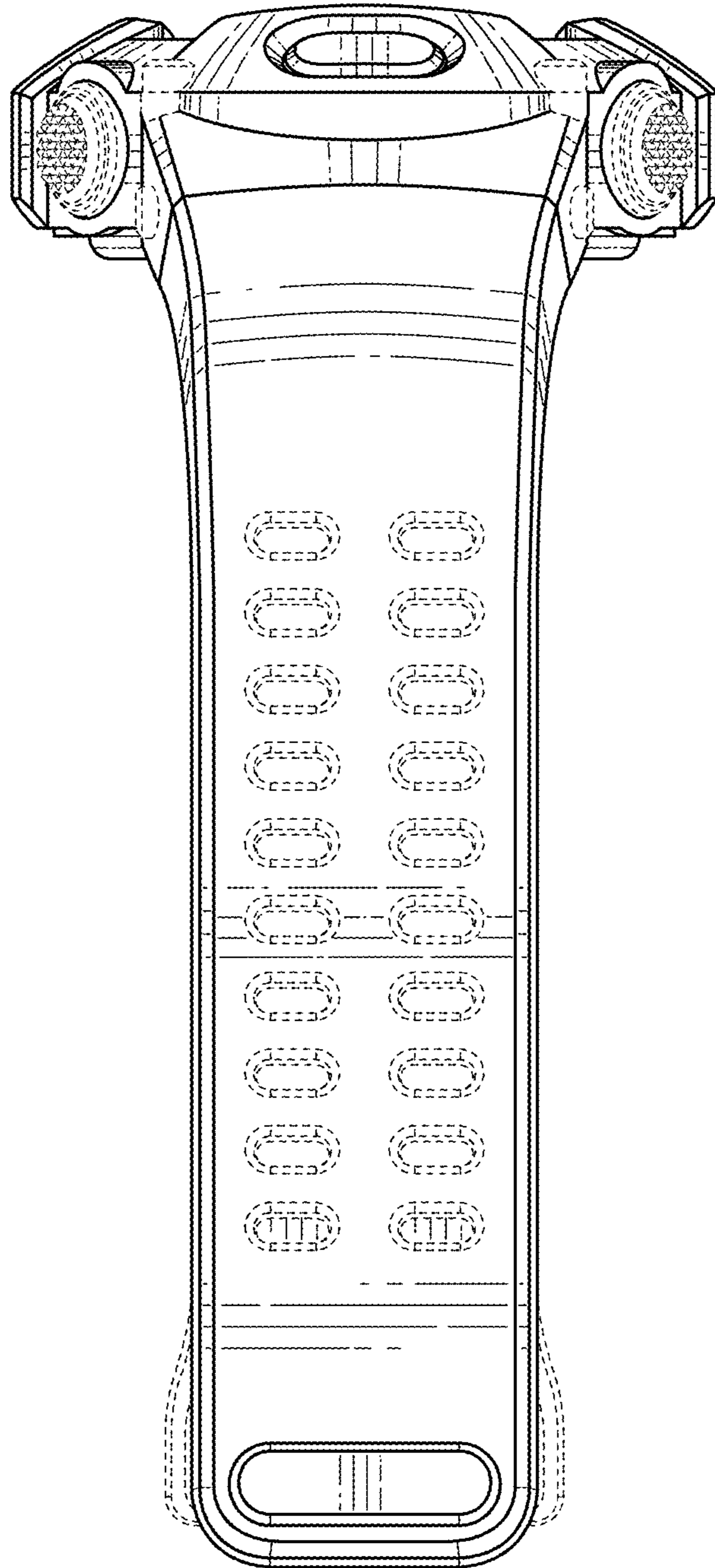


FIG. 2

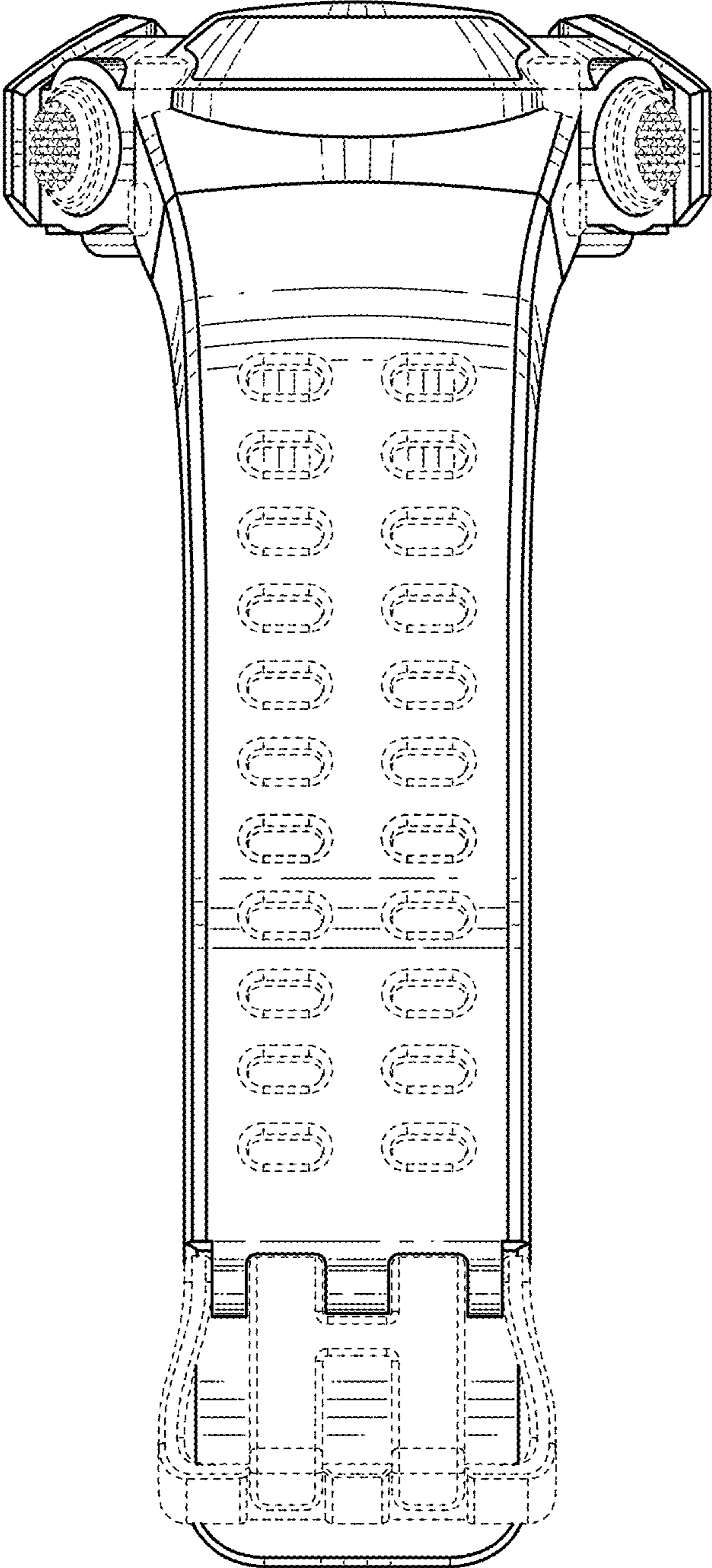


FIG. 3

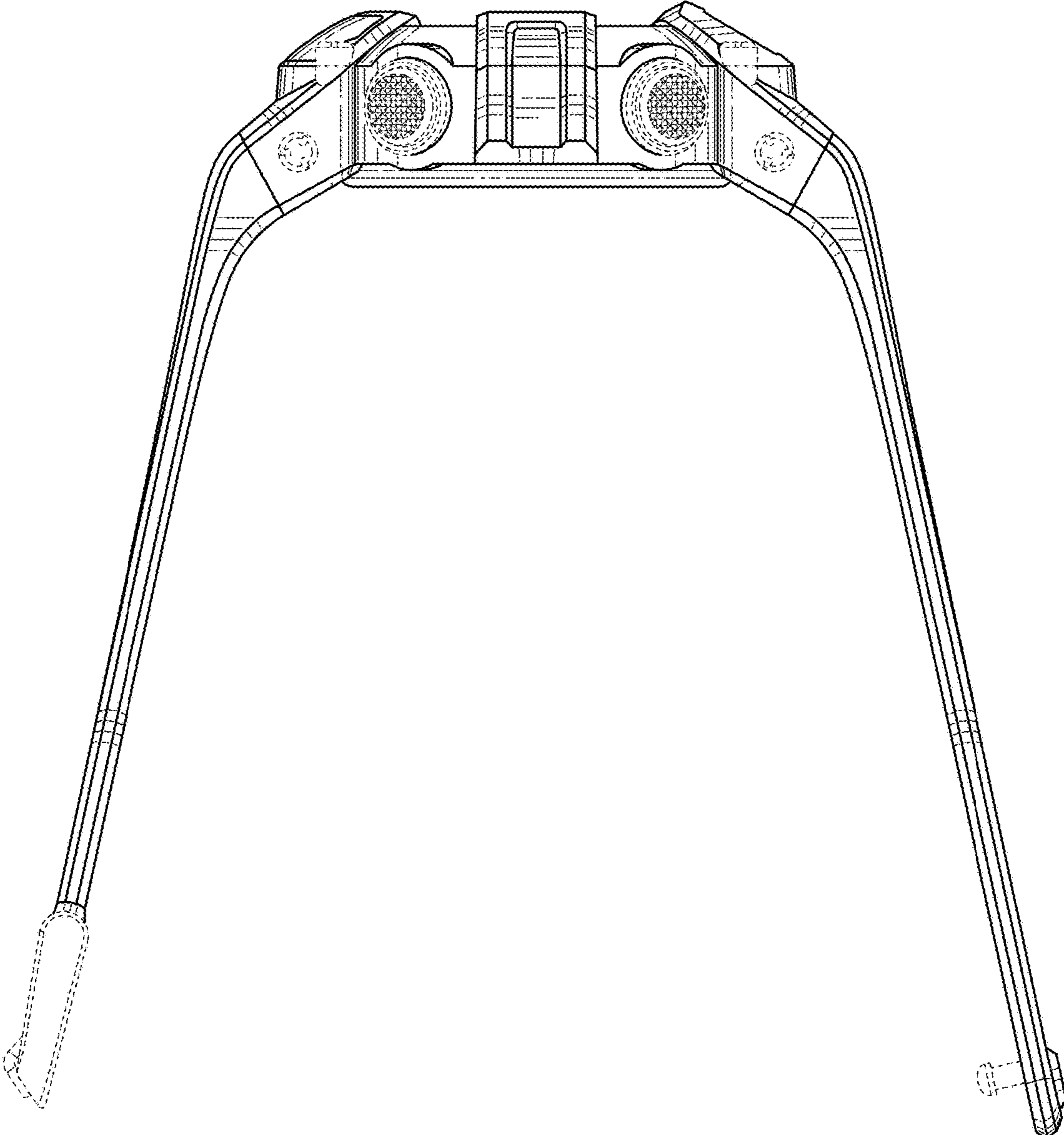


FIG. 4

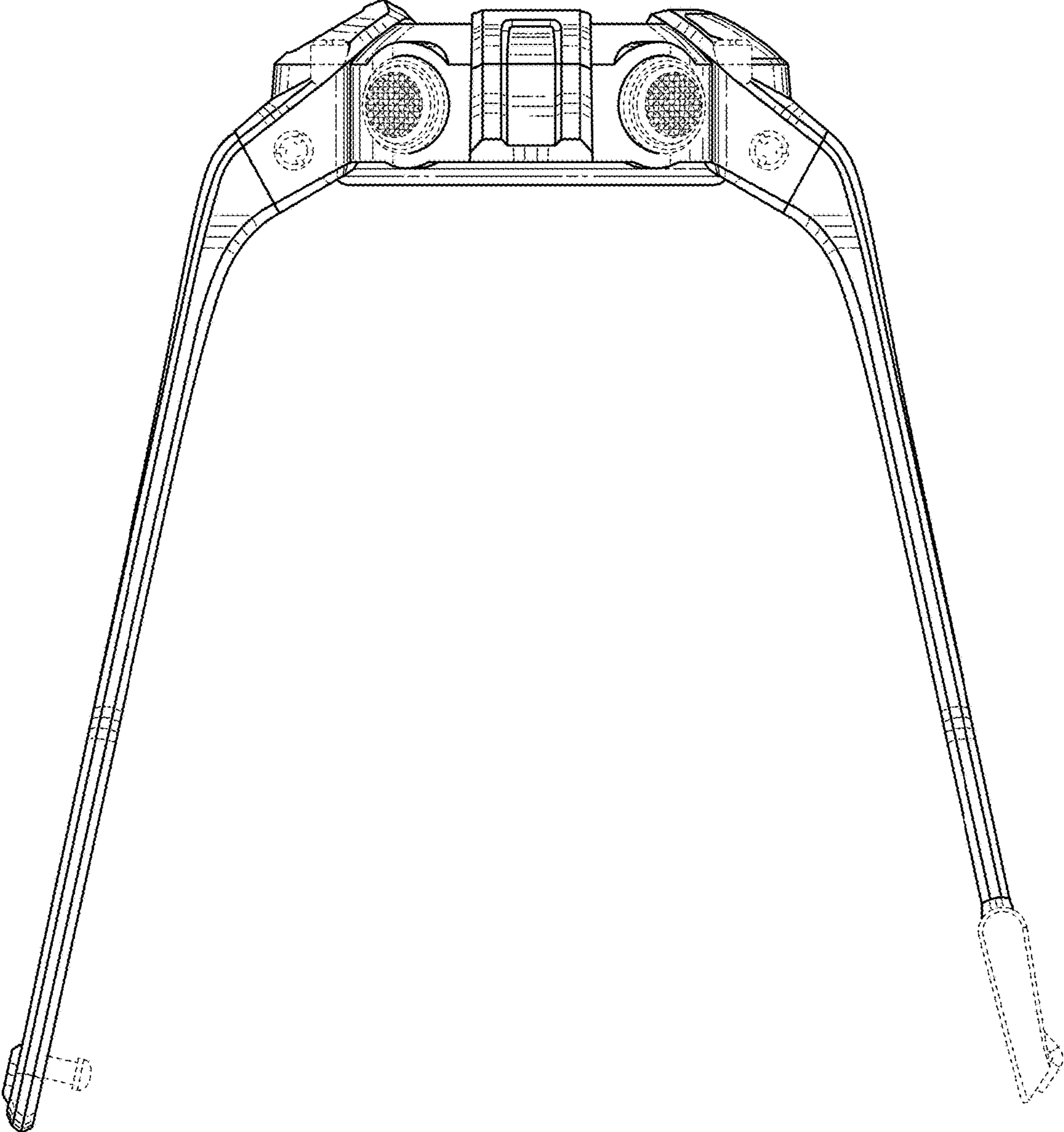


FIG. 5

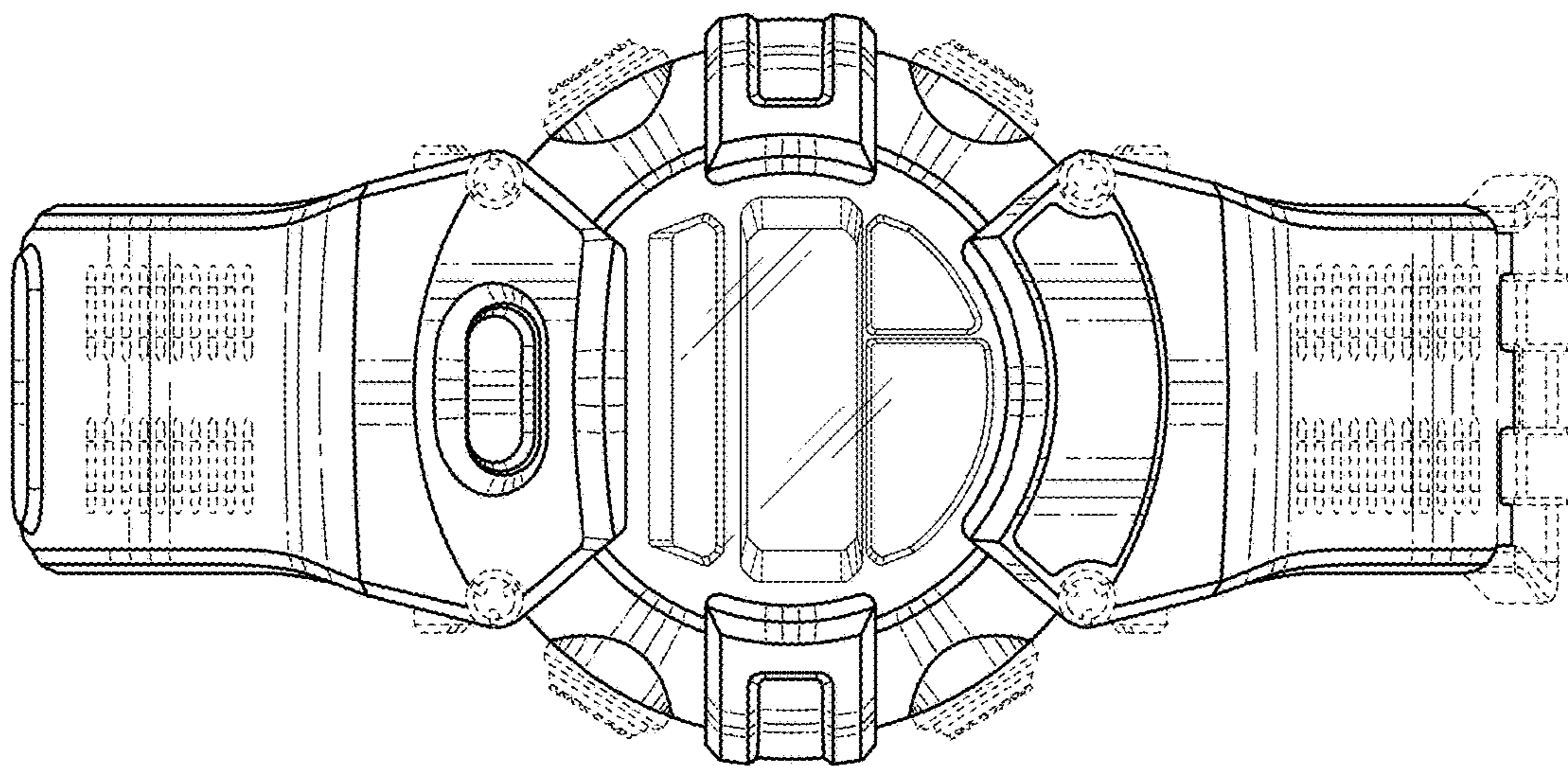


FIG. 6

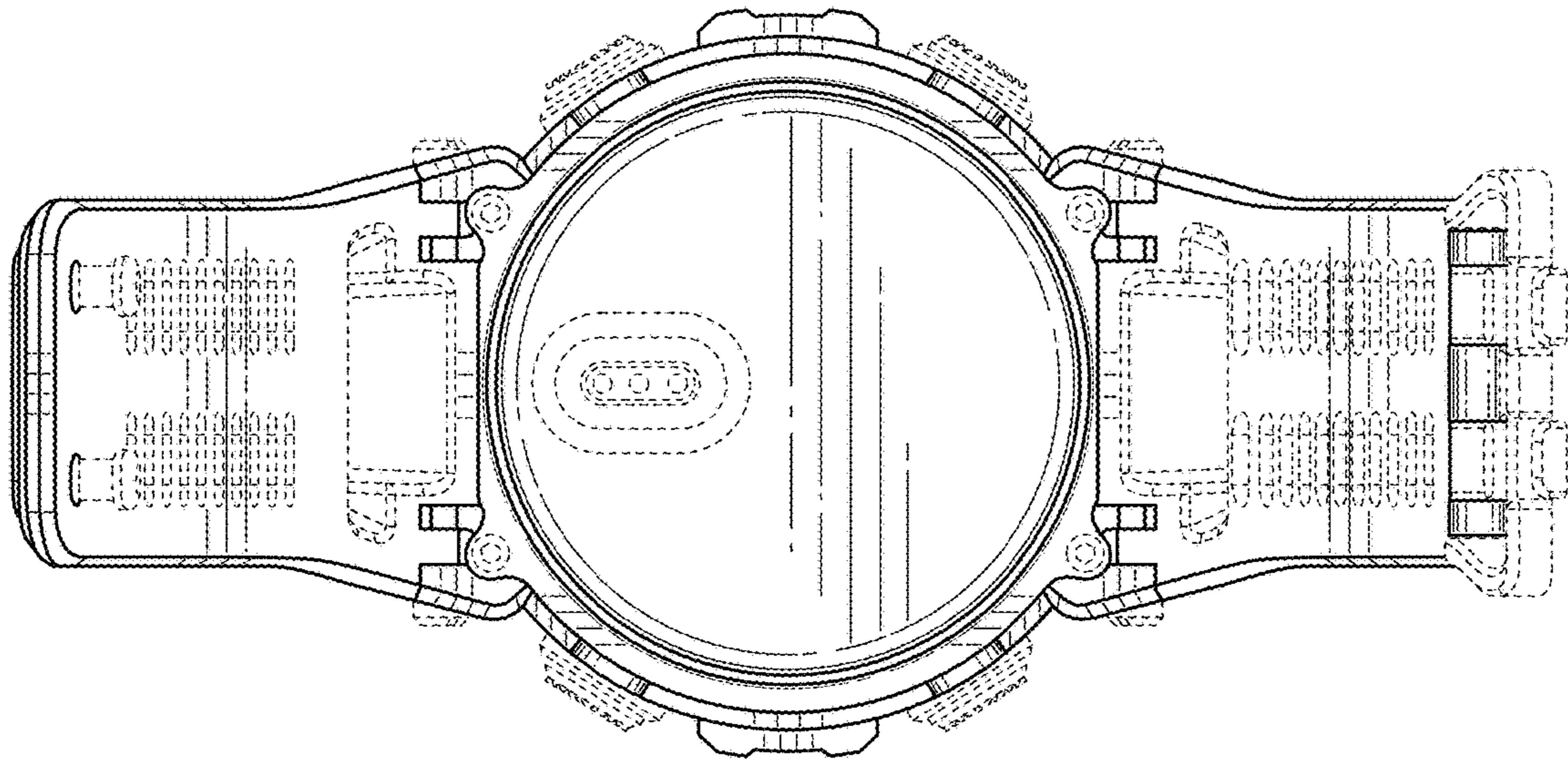


FIG. 7

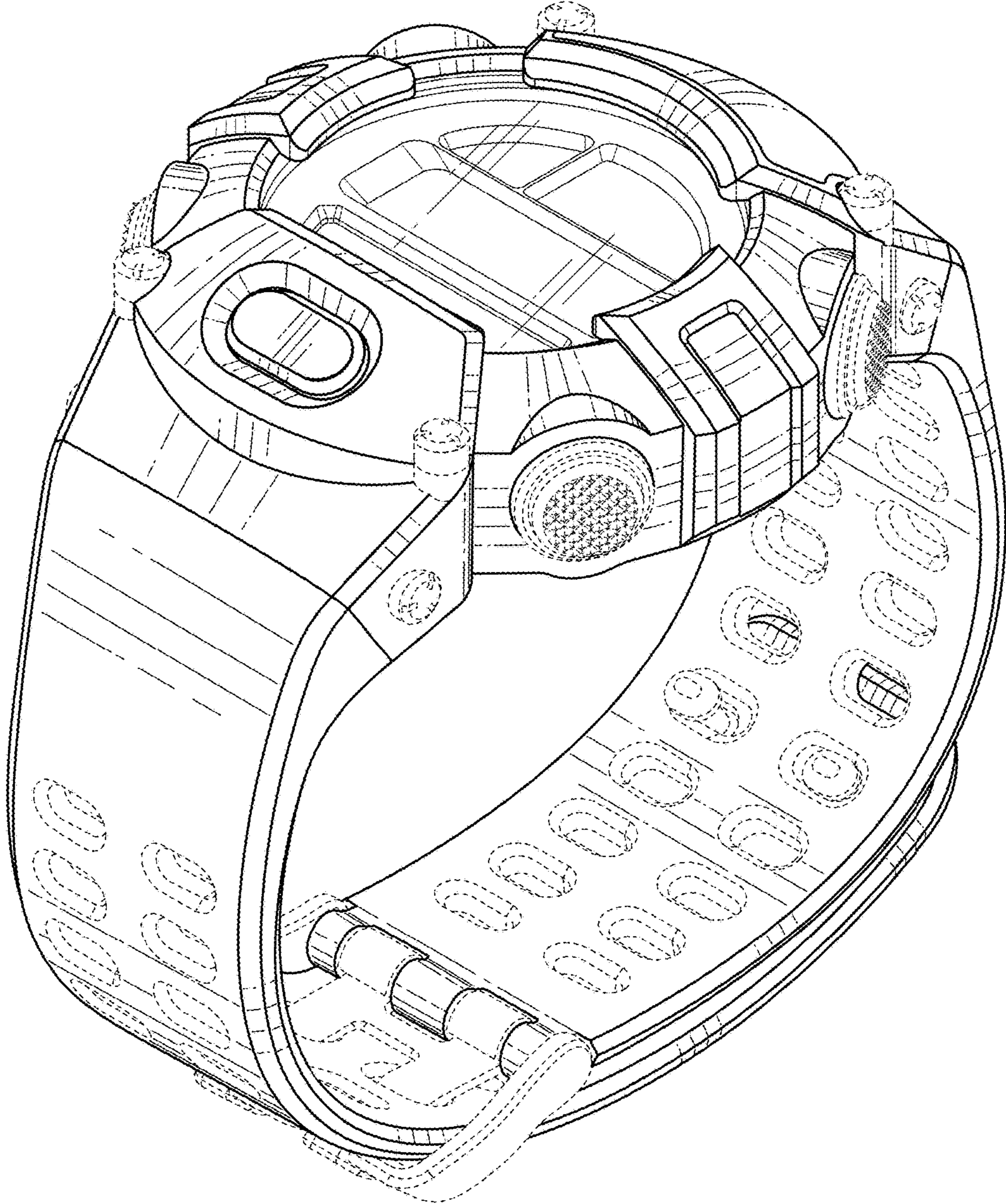


FIG. 8