



US00D818840S

(12) **United States Design Patent**
Nagata

(10) **Patent No.:** **US D818,840 S**

(45) **Date of Patent:** **** May 29, 2018**

(54) **BOTTLE FOR COSMETICS**

(71) Applicant: **Kaori Nagata**, Tokyo (JP)

(72) Inventor: **Kaori Nagata**, Tokyo (JP)

(73) Assignee: **SHISEIDO CO., LTD.**, Tokyo (JP)

(**) Term: **15 Years**

(21) Appl. No.: **29/600,094**

(22) Filed: **Apr. 10, 2017**

(51) **LOC (11) Cl.** **09-01**

(52) **U.S. Cl.**

USPC **D9/692**; D9/682; D9/694

(58) **Field of Classification Search**

USPC D9/682-694, 695, 697-699, 715, 719,
D9/723-729, 738, 739, 741, 746,
D9/500-505, 516, 517, 521, 526, 529,
D9/544-546, 548, 549-575, 434-436,
D9/445, 447-449; D28/76, 77, 85, 91.1
CPC B05B 11/00-11/3098; B65D 83/14; B65D
83/38; B65D 83/384; B65D 83/40; A45D
34/00; A45D 34/02; A45D 2034/007;
A45D 2200/05; A45D 2200/051; A45D
2200/052; A45D 2200/053; A45D
2200/054; A45D 2200/055; A45D
2200/056; A45D 2200/057

See application file for complete search history.

(56) **References Cited**

U.S. PATENT DOCUMENTS

D85,737 S * 12/1931 Wagner D9/529
2,215,161 A * 9/1940 Sapery A45D 34/06
132/314
D123,709 S * 11/1940 Wood 401/83
3,348,740 A * 10/1967 O'Donnell B65D 55/02
222/153.06

D252,736 S * 8/1979 Grodin D9/544
D279,511 S * 7/1985 Matsubara D28/91.1
D281,054 S * 10/1985 Menrad D28/89
D306,693 S * 3/1990 Beier-Rosetti D9/529
D317,124 S * 5/1991 Durand D9/559
D353,044 S * 12/1994 Riley D3/228
D522,879 S * 6/2006 Chadfield D9/727
D548,095 S * 8/2007 McGuinness D9/435
D615,874 S * 5/2010 Nagata D9/448
D650,690 S * 12/2011 Guglielmo D9/559
D695,627 S * 12/2013 Chen D9/687
D739,762 S * 9/2015 Nagata D9/572
D777,041 S * 1/2017 Hui D9/687
2012/0325810 A1 * 12/2012 Yamamoto B29C 45/14836
220/62.22

* cited by examiner

Primary Examiner — Catherine A Tuttle

(74) *Attorney, Agent, or Firm* — Manabu Kanesaka

(57) **CLAIM**

The ornamental design for a bottle for cosmetics, as shown and described.

DESCRIPTION

FIG. 1 is a perspective view of a bottle for cosmetics showing my new design;
FIG. 2 is a front view thereof;
FIG. 3 is a right side view thereof, the left side view being symmetrical to the right side view thereof;
FIG. 4 is a rear view thereof;
FIG. 5 is a top plan side view thereof;
FIG. 6 is a bottom view thereof; and,
FIG. 7 is a cross-sectional view thereof along the line 7-7 in FIG. 2.

The broken lines depict the sectioned and interior portions of the bottle for cosmetics that form no part of claimed design.

1 Claim, 2 Drawing Sheets

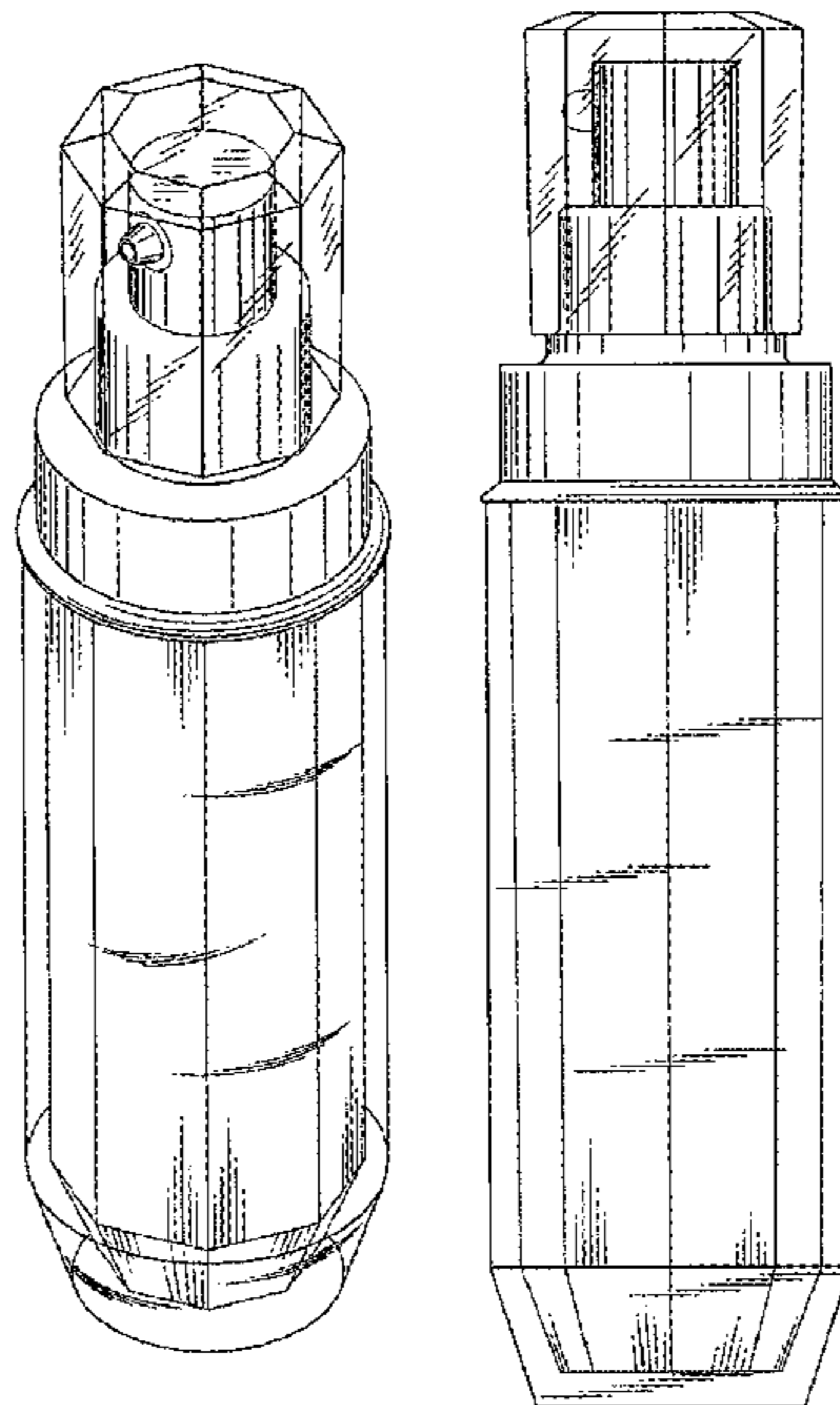


Fig.1

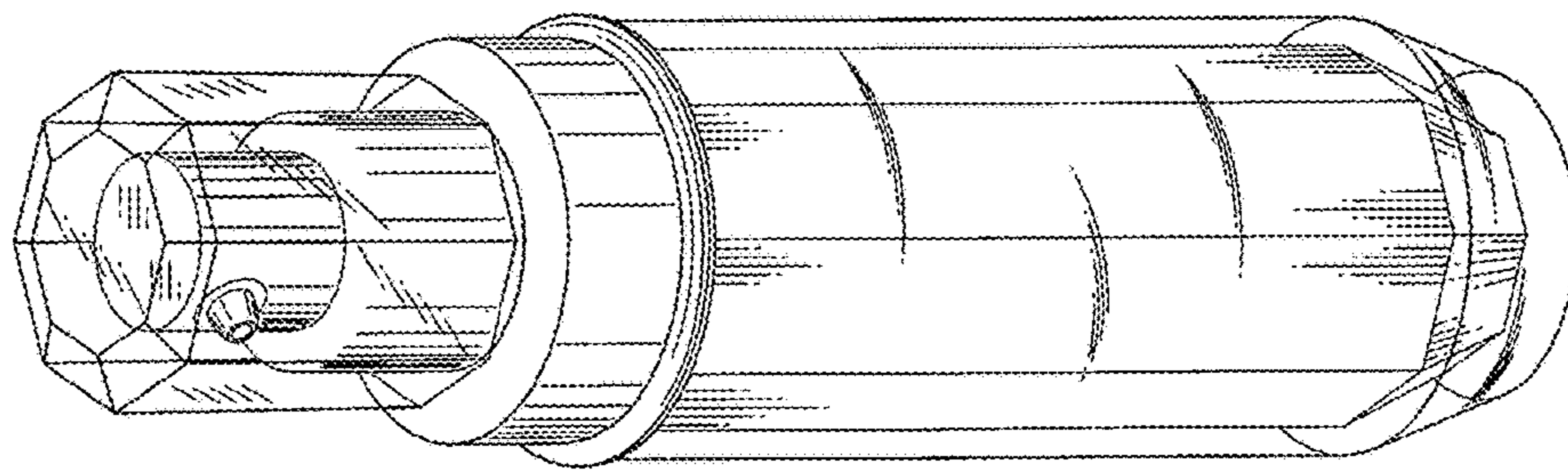


Fig.2

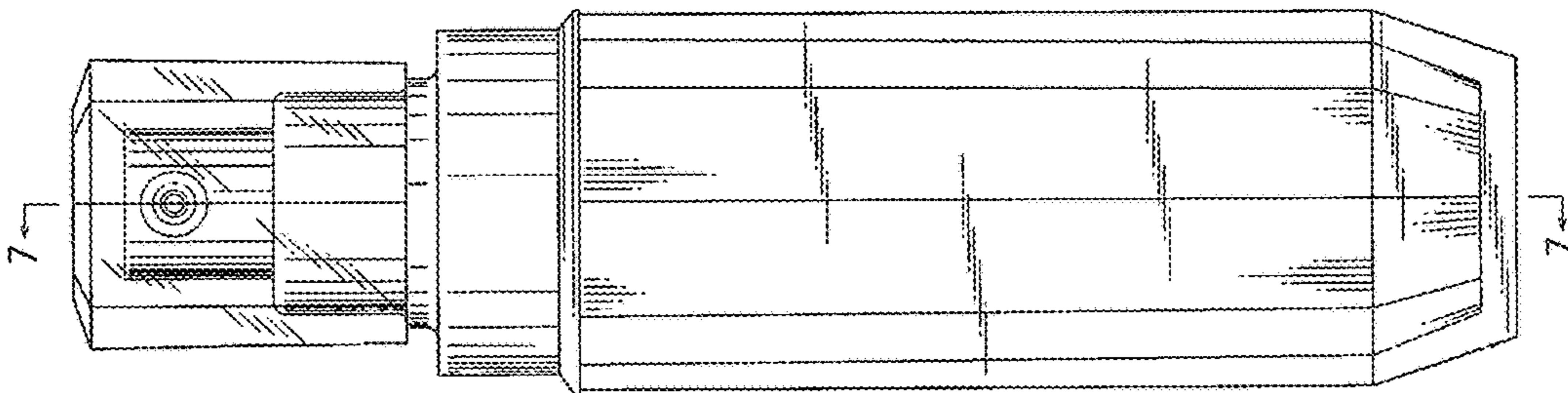


Fig.3

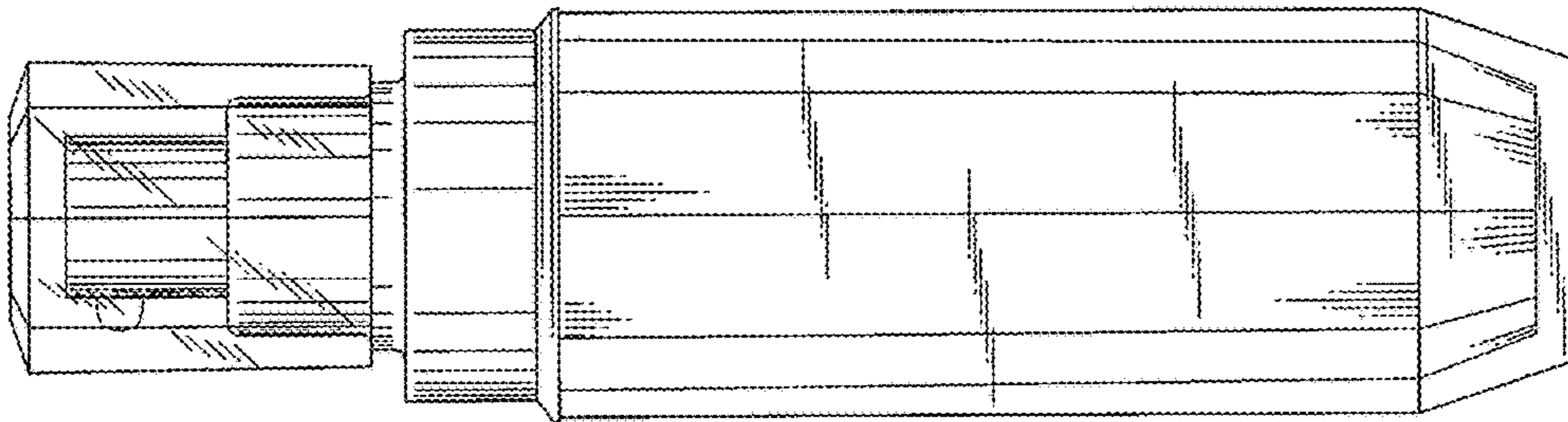


Fig.4

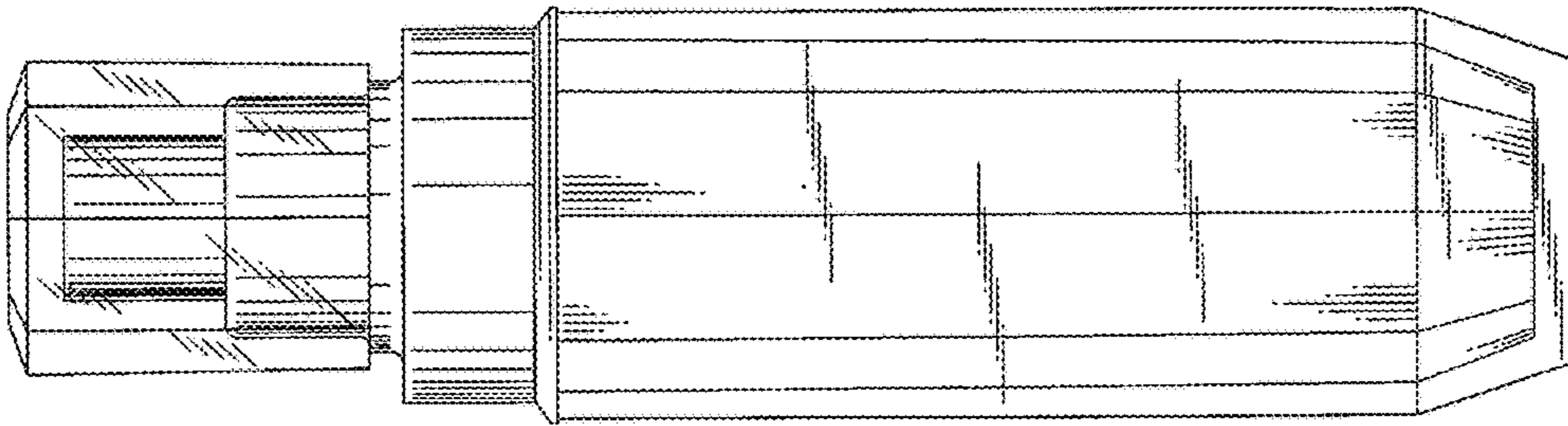


Fig.7

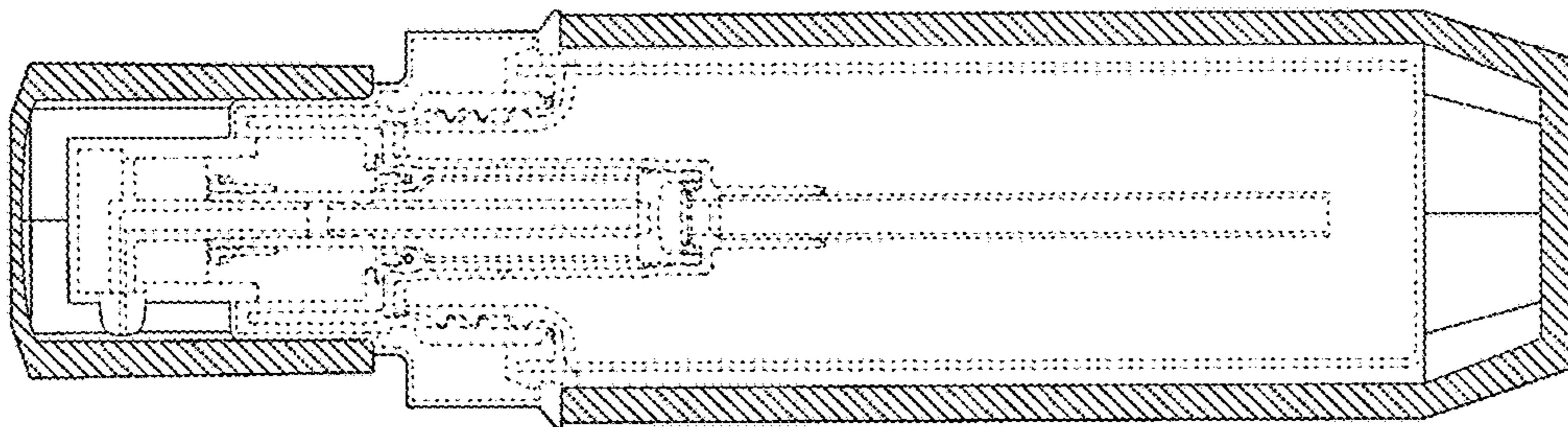


Fig.5

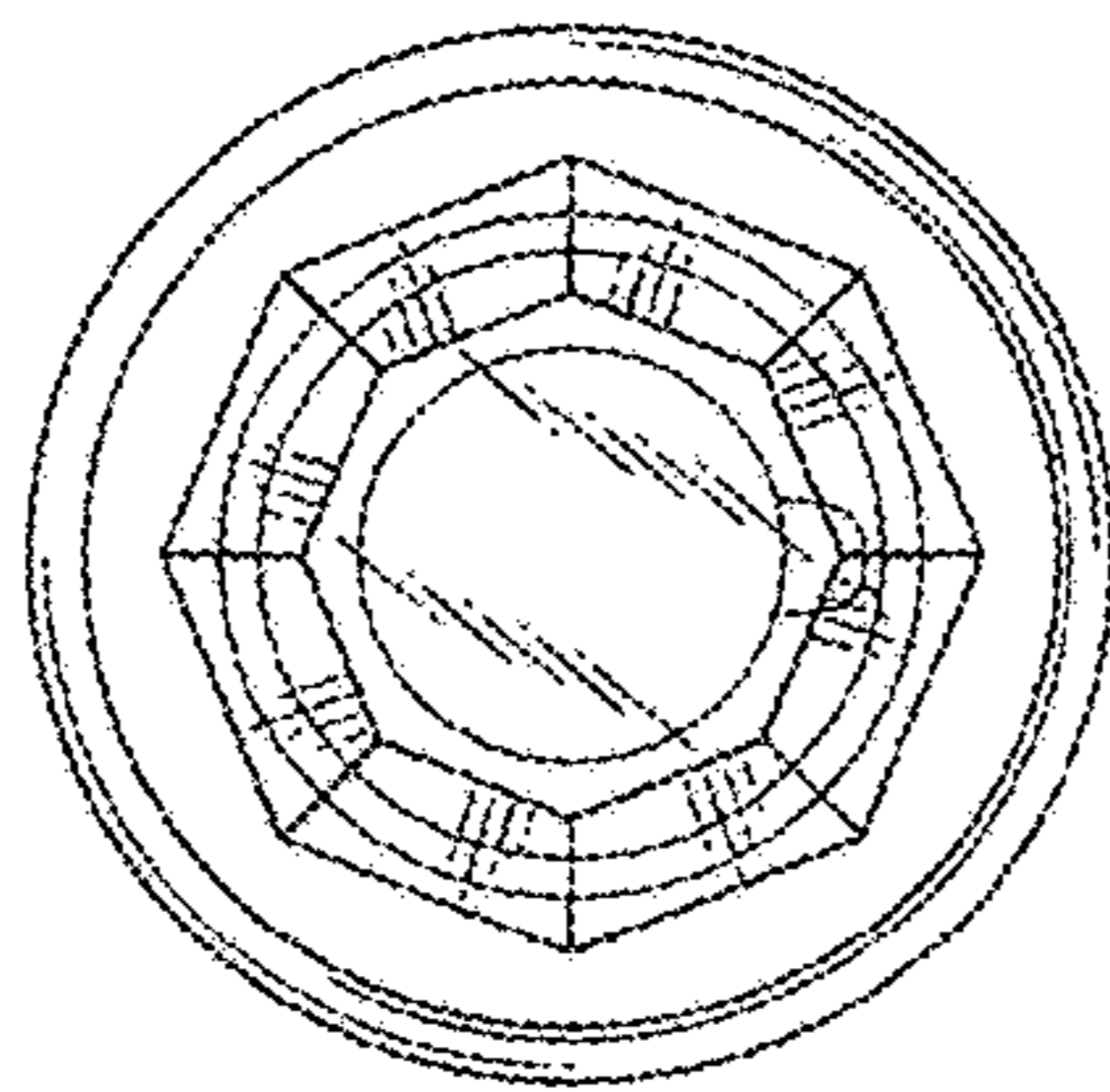


Fig.6

