



US00D818838S

(12) **United States Design Patent**  
**Kastrati**

(10) **Patent No.:** **US D818,838 S**

(45) **Date of Patent:** **\*\* May 29, 2018**

(54) **BOTTLE**

(71) Applicant: **Fatmir Kastrati**, Zürich (CH)

(72) Inventor: **Fatmir Kastrati**, Zürich (CH)

(\*\*) Term: **15 Years**

(21) Appl. No.: **35/502,504**

(22) Filed: **Aug. 30, 2016**

(80) **Hague Agreement Data**

Int. Filing Date: **Aug. 30, 2016**

Int. Reg. No.: **DM/092351**

Int. Reg. Date: **Aug. 30, 2016**

Int. Reg. Pub. Date: **Mar. 3, 2017**

(51) **LOC (11) Cl.** ..... **09-01**

(52) **U.S. Cl.**  
USPC ..... **D9/690; D9/652; D9/503; D9/519;**  
**D9/556; D9/451**

(58) **Field of Classification Search**

USPC ..... **D9/434, 435, 441, 444, 451, 500-503,**  
**D9/519, 552, 556-558, 574, 600, 652,**  
**D9/688, 690, 692**

CPC ... **B65D 1/00; B65D 1/02; B65D 1/12; B65D**  
**1/14; B65D 1/40; B65D 1/44; B65D**  
**1/023; B65D 1/0223; B65D 1/165; B65D**  
**1/238; B65D 1/246; B65D 1/253; B65D**  
**7/04; B65D 21/0209; B65D 21/0233;**  
**B65D 25/00; B65D 25/28; B65D**  
**41/0457; B65D 41/17; B65D 53/06;**  
**B65D 75/56; B65D 79/005; B65D**  
**2501/0036; B65D 2543/00064; B65D**  
**2543/00074; B65D 2543/00083; B65D**

2543/00092; B65D 2543/00101; B65D  
2543/00111; B21D 51/26; B21D 51/383;  
B29C 66/71; Y10T 29/49826

See application file for complete search history.

(56) **References Cited**

U.S. PATENT DOCUMENTS

D133,064 S *	7/1942	Taylor .....	D9/652
D134,266 S *	11/1942	Meier, Jr. ....	D11/116
D319,184 S *	8/1991	Monod .....	D9/451
D381,905 S *	8/1997	Chahed .....	D9/435
D663,619 S *	7/2012	Pillet .....	D9/452
D670,558 S *	11/2012	Luzano-Belfield .....	D9/440
D719,446 S *	12/2014	Ponomarenko .....	D9/500
D749,368 S *	2/2016	Risso .....	D7/602
D809,391 S *	2/2018	Funk .....	D9/500

\* cited by examiner

*Primary Examiner* — Keli L Hill

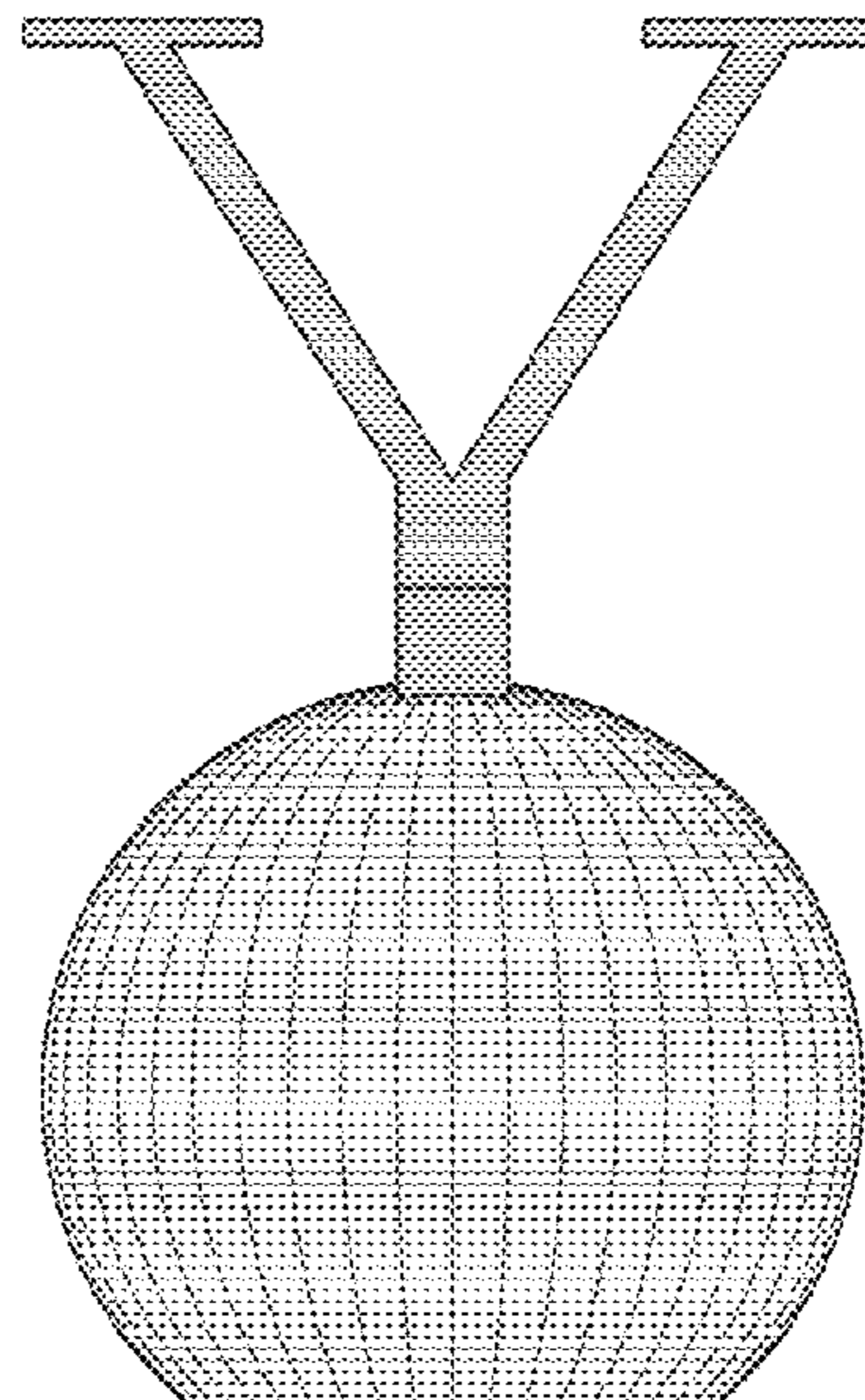
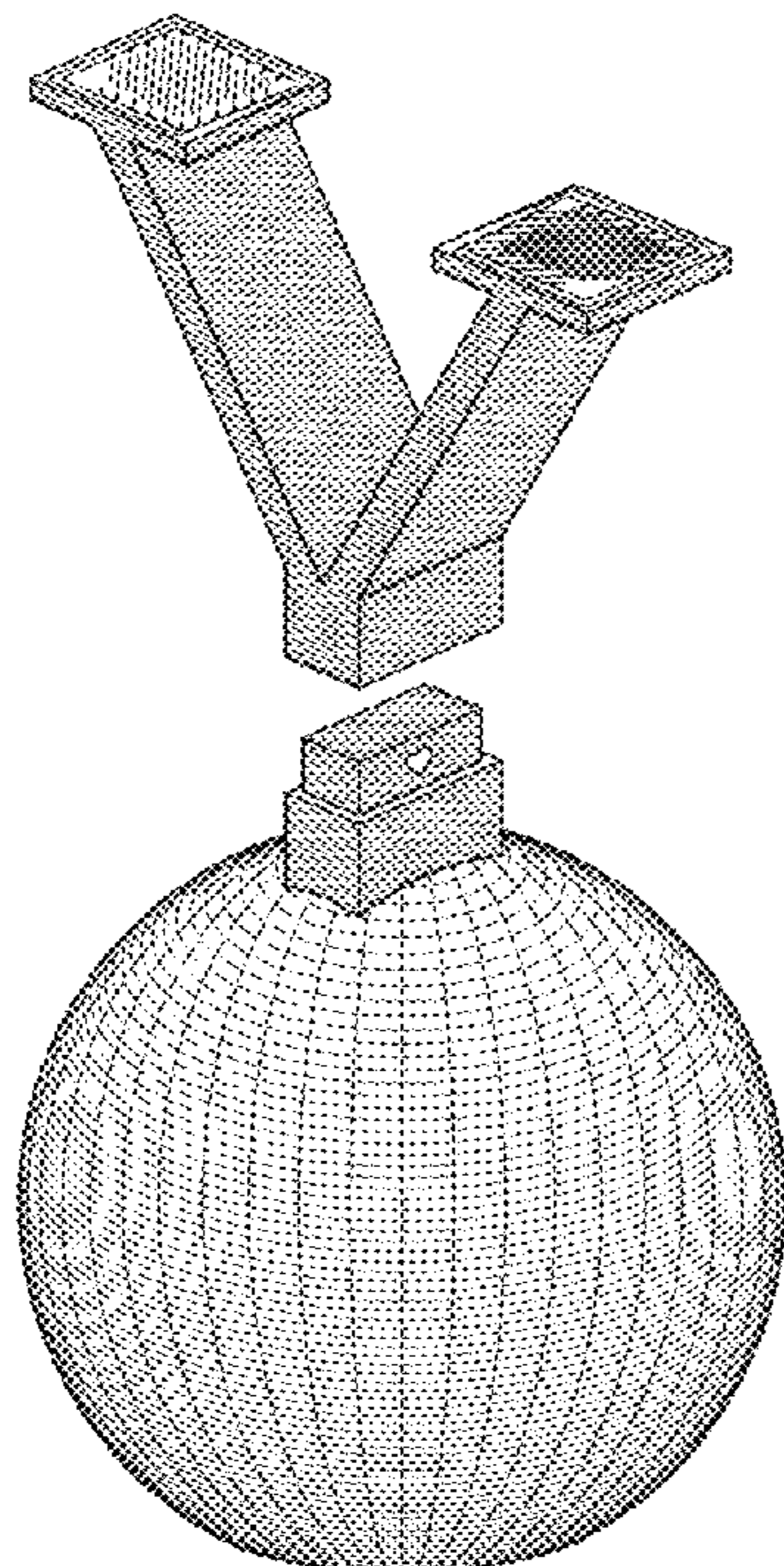
(57) **CLAIM**

The ornamental design for a bottle, as shown and described.

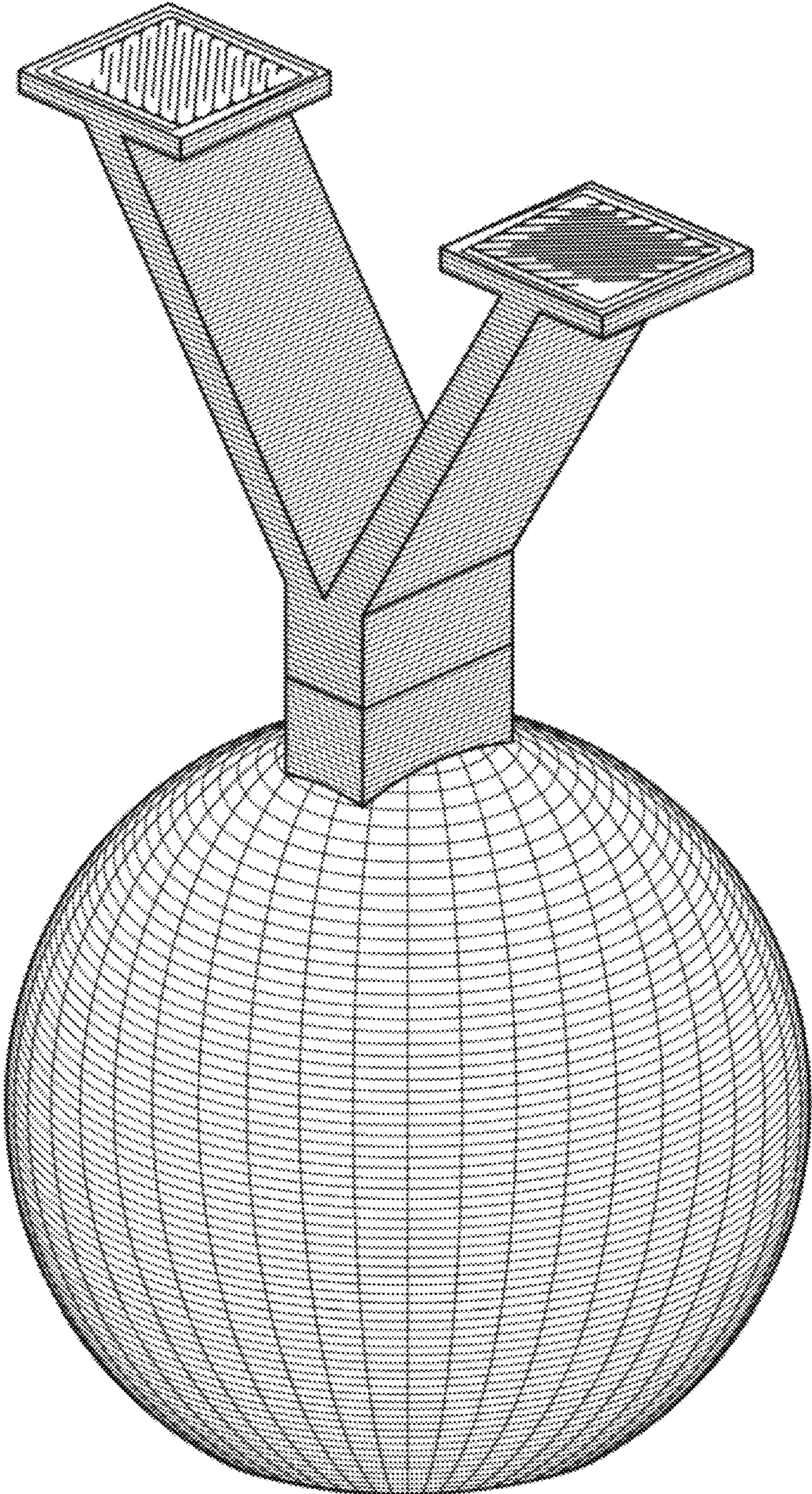
**DESCRIPTION**

- 1. Bottle
- 1.1 : Perspective
- 1.2 : Exploded
- 1.3 : Front
- 1.4 : Back
- 1.5 : Left
- 1.6 : Right
- 1.7 : Top
- 1.8 : Bottom

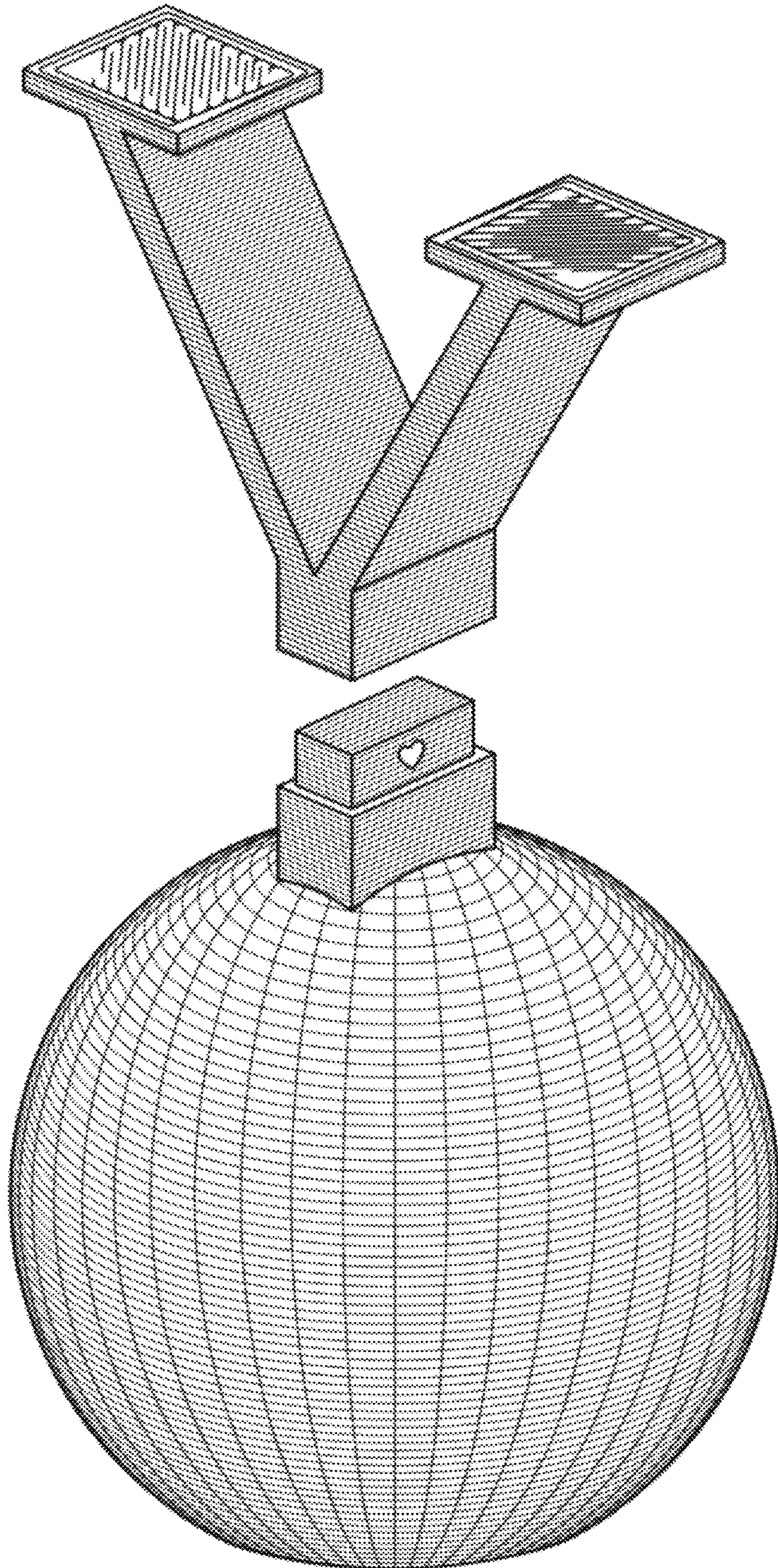
**1 Claim, 8 Drawing Sheets**



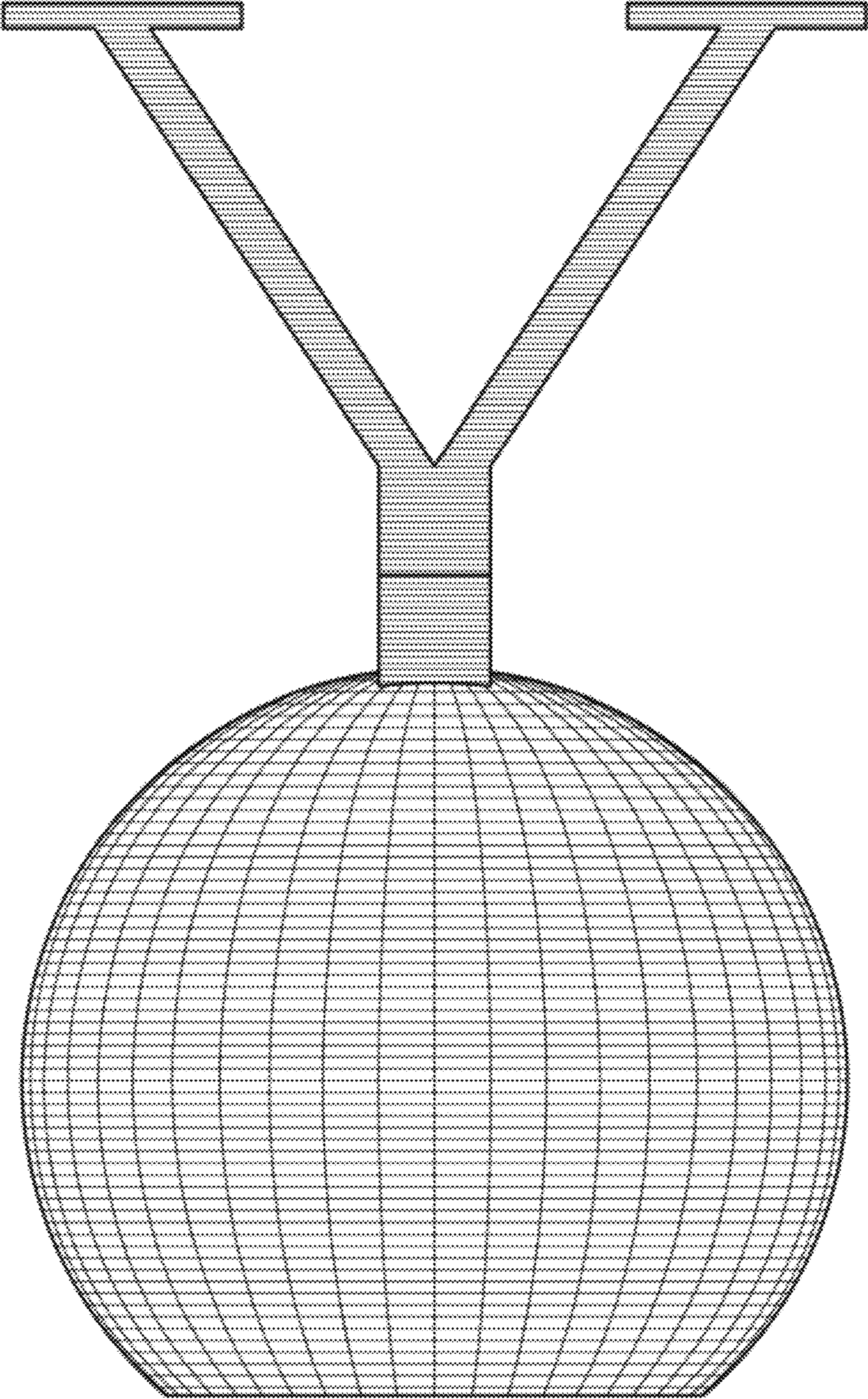
1.1

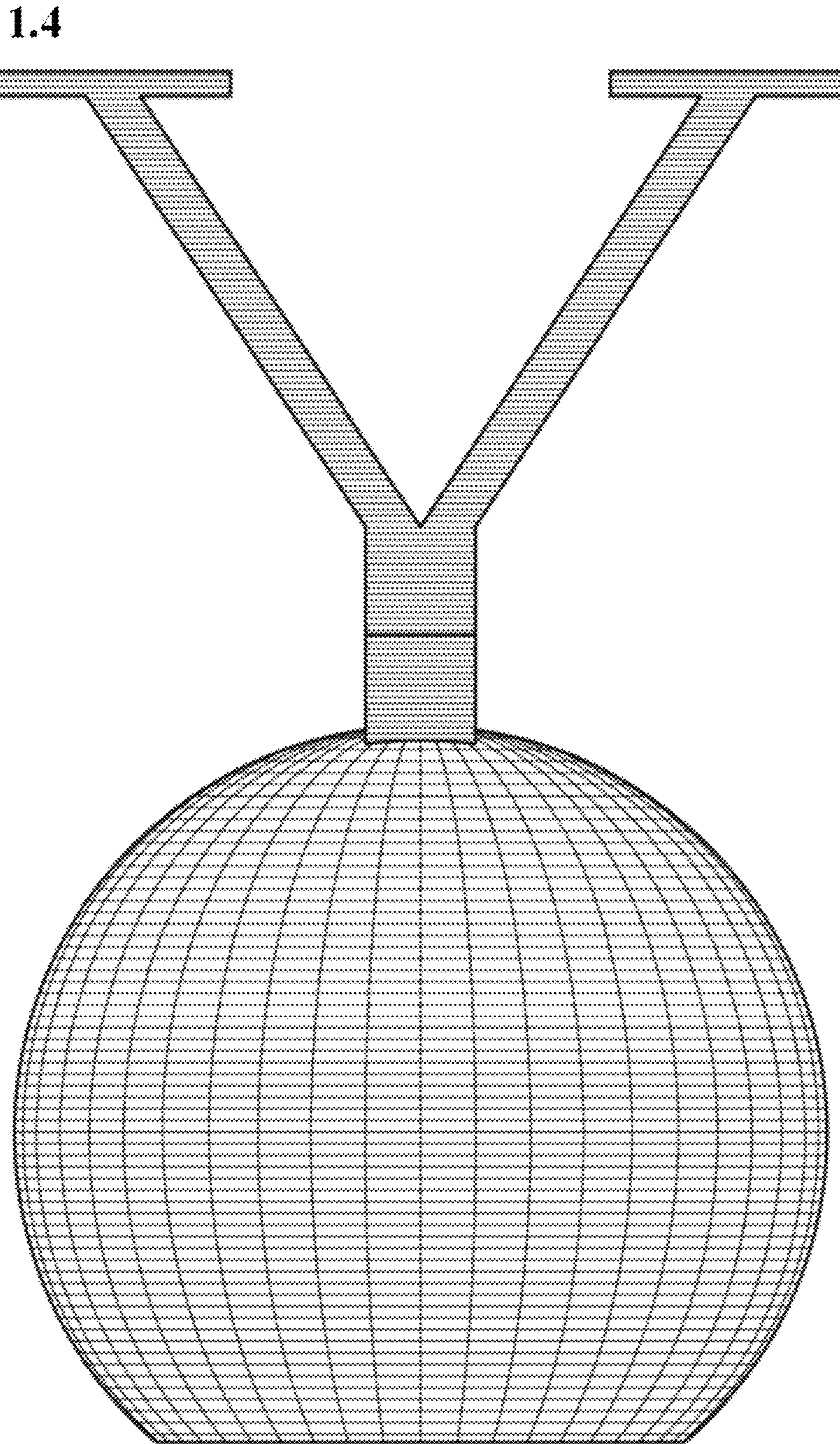


1.2

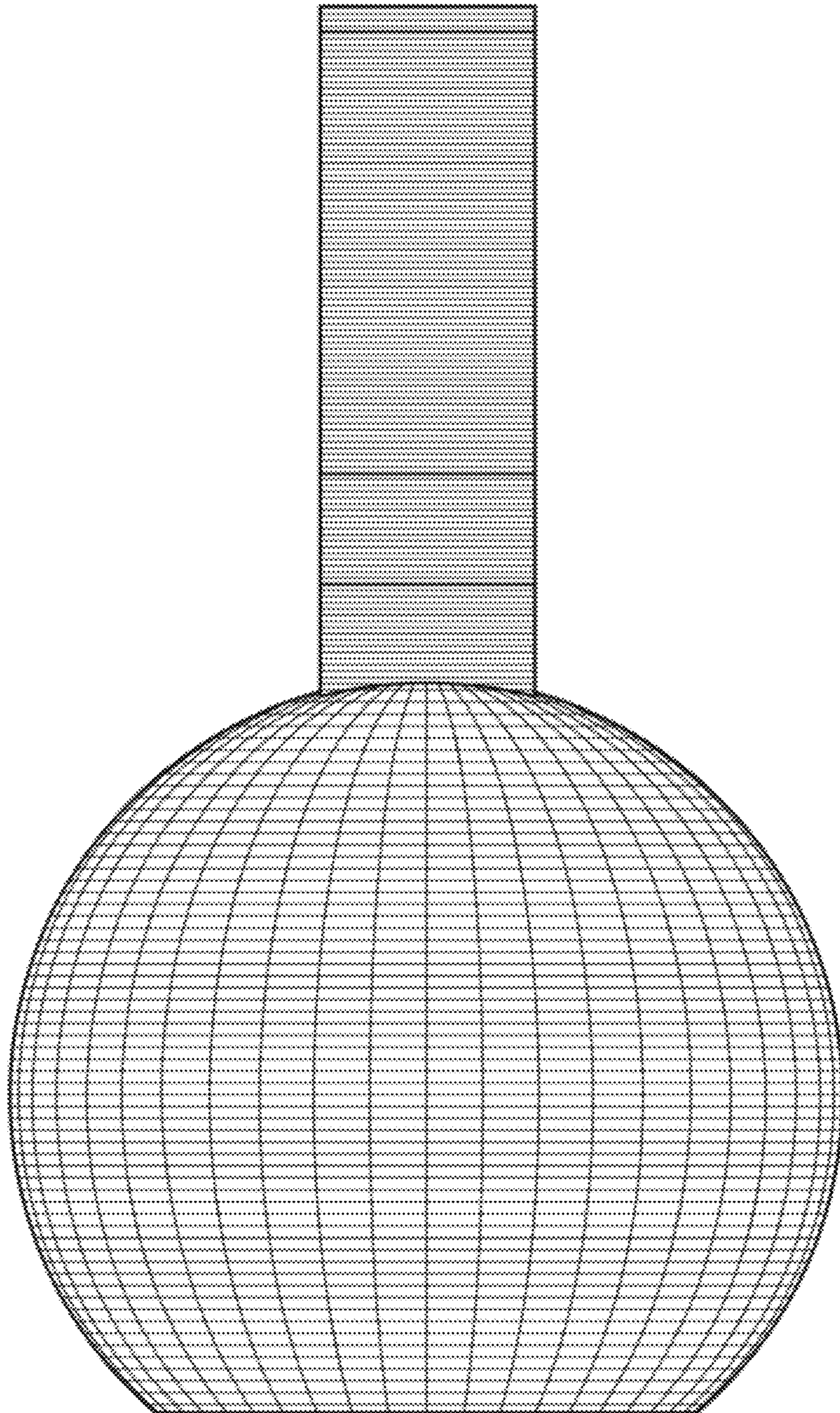


1.3

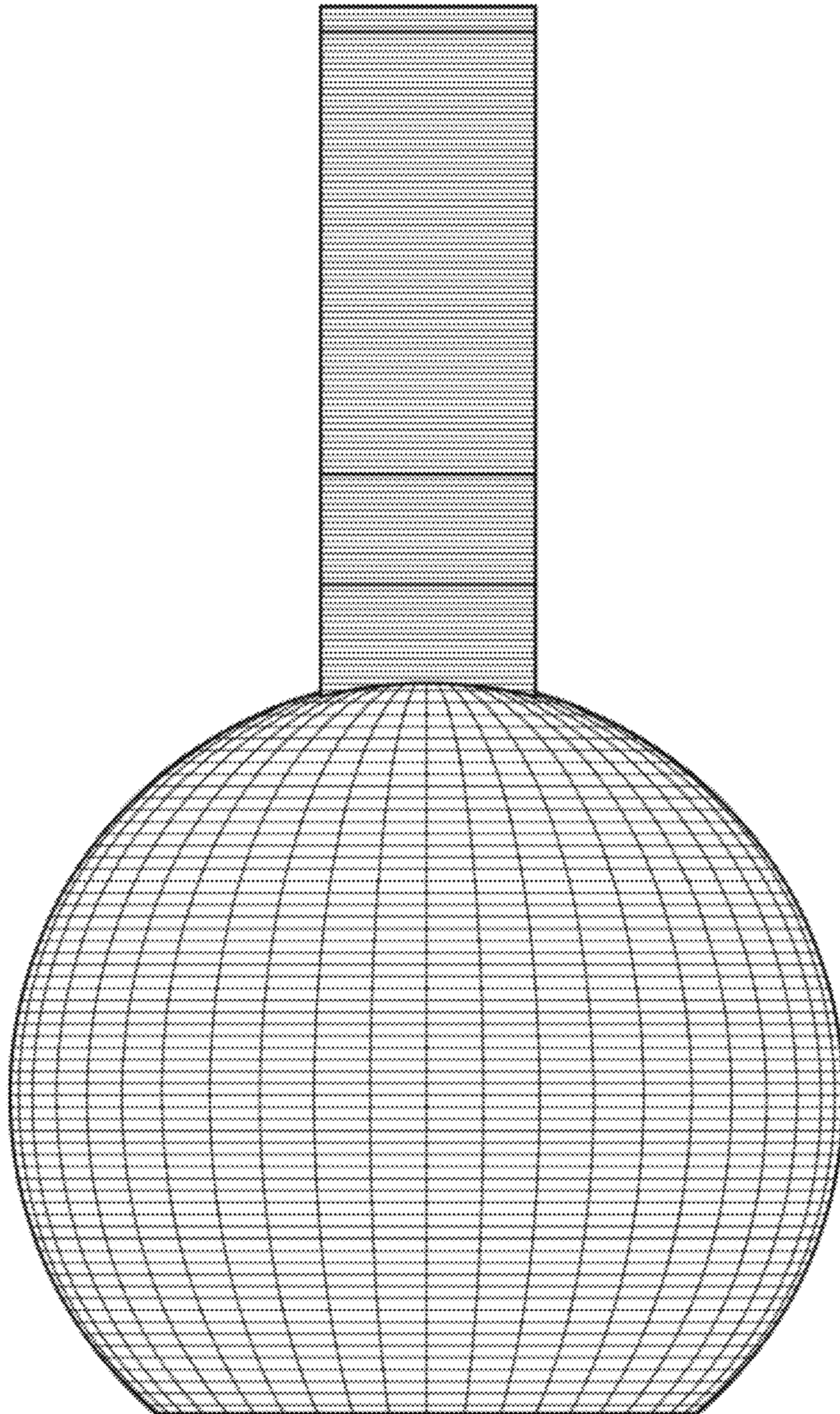




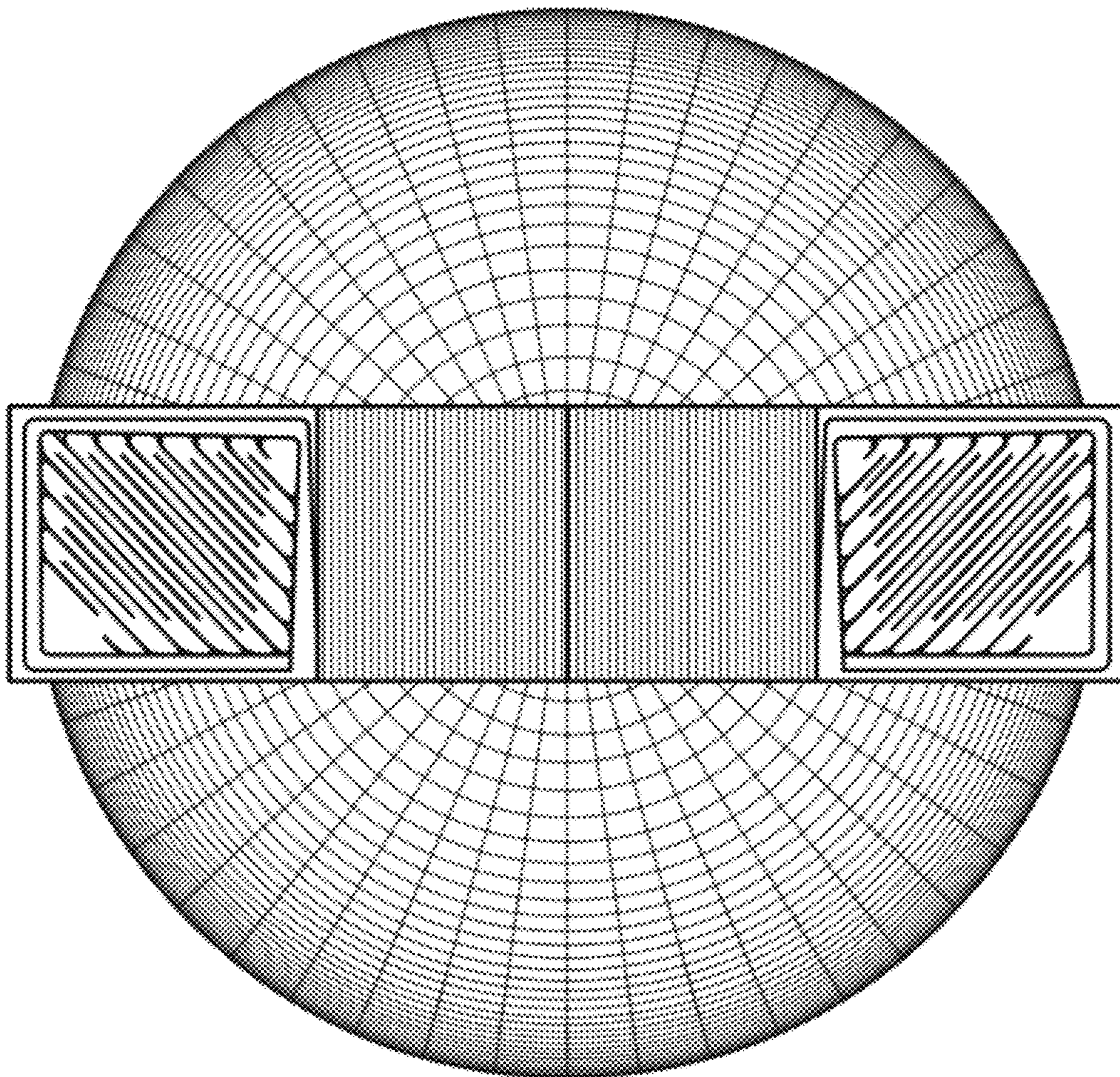
1.5



1.6



1.7





1.8

