



US00D818835S

(12) **United States Design Patent** (10) **Patent No.:** **US D818,835 S**
Caly (45) **Date of Patent:** **** May 29, 2018**

(54) **STRAWBERRY-SHAPED CONTAINER**
(71) Applicant: **VACO PAK INDUSTRIES LTD.,**
Yahud (IL)
(72) Inventor: **Roy Caly, Kibbutz Yakum (IL)**
(73) Assignee: **Vaco Pak Industries Ltd., Yahud (IL)**
(**) Term: **15 Years**
(21) Appl. No.: **29/599,911**
(22) Filed: **Apr. 7, 2017**
(51) **LOC (11) Cl.** **09-01**
(52) **U.S. Cl.**
USPC **D9/645; D9/426**
(58) **Field of Classification Search**
USPC D3/270, 271.1-271.4; D7/509-511,
D7/514-521, 576-577, 594, 599, 604,
D7/613, 619.2, 623, 628; D9/600,
D9/643-647, 500-516, 523, 529,
D9/544-547, 414-434; 206/457, 459.5,
206/527; 215/381-384, 400
CPC B65D 5/4258; B65D 81/60; B65D 81/365;
B65D 81/366; B65D 81/368; B65D
2203/00; B65D 2203/02; B65D 85/34
See application file for complete search history.

D592,521 S * 5/2009 Lo D9/451
D604,114 S * 11/2009 Braidotti D7/628
D677,168 S * 3/2013 Bourguignon D9/425
D694,621 S * 12/2013 McCarthy D9/429
D770,911 S * 11/2016 Perez D9/433
D779,321 S * 2/2017 Rubio D9/432

OTHER PUBLICATIONS

Strawberry container, dated May 14, 2010. http://beachpackagingdesign.com/boxvox/packaging-plastic-fruit.*

* cited by examiner

Primary Examiner — Sandra L Morris
(74) *Attorney, Agent, or Firm* — Roach Brown McCarthy & Gruber, P.C.; Kevin D. McCarthy

(57) **CLAIM**

The ornamental design for a strawberry-shaped container, as shown and described.

DESCRIPTION

FIG. 1 is an isometric view of a strawberry-shaped container of the applicant's design;
FIG. 2 is a view of FIG. 1 with the top section flipped open thereof;
FIG. 3 is a top view of FIG. 1;
FIG. 4 is a bottom view of FIG. 1;
FIG. 5 is a front view of FIG. 1;
FIG. 6 is a back view of FIG. 1;
FIG. 7 is a left side view of FIG. 1; and,
FIG. 8 is a right side view of FIG. 1.

1 Claim, 4 Drawing Sheets

(56) **References Cited**

U.S. PATENT DOCUMENTS

D249,867 S * 10/1978 Reich D9/645
D280,699 S * 9/1985 Martin D9/645
D338,263 S * 8/1993 Davies D3/271.8
D345,507 S * 3/1994 Granai D9/424
D409,084 S * 5/1999 Sims D9/645
D585,735 S * 2/2009 Vovan D9/416

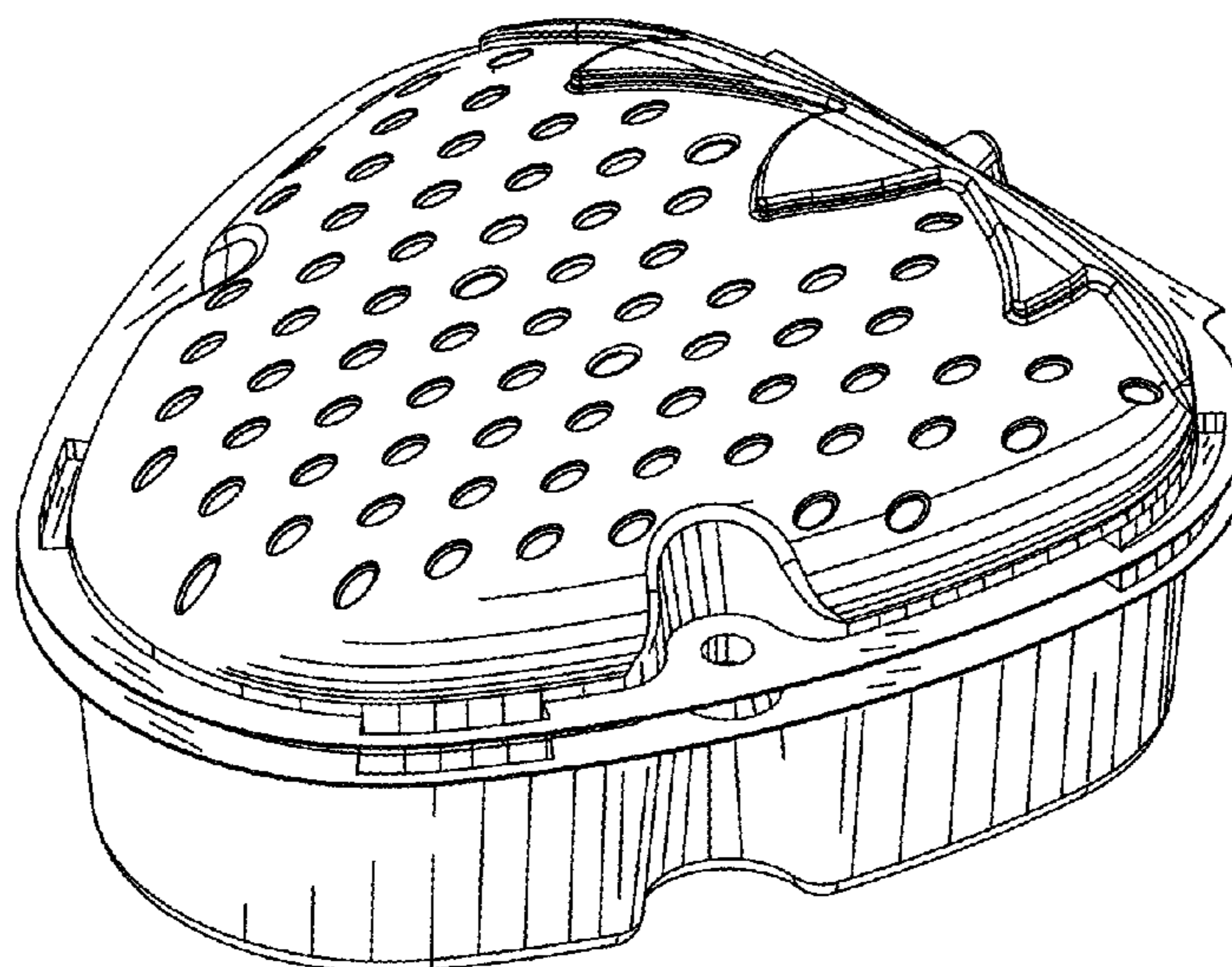


FIGURE 1

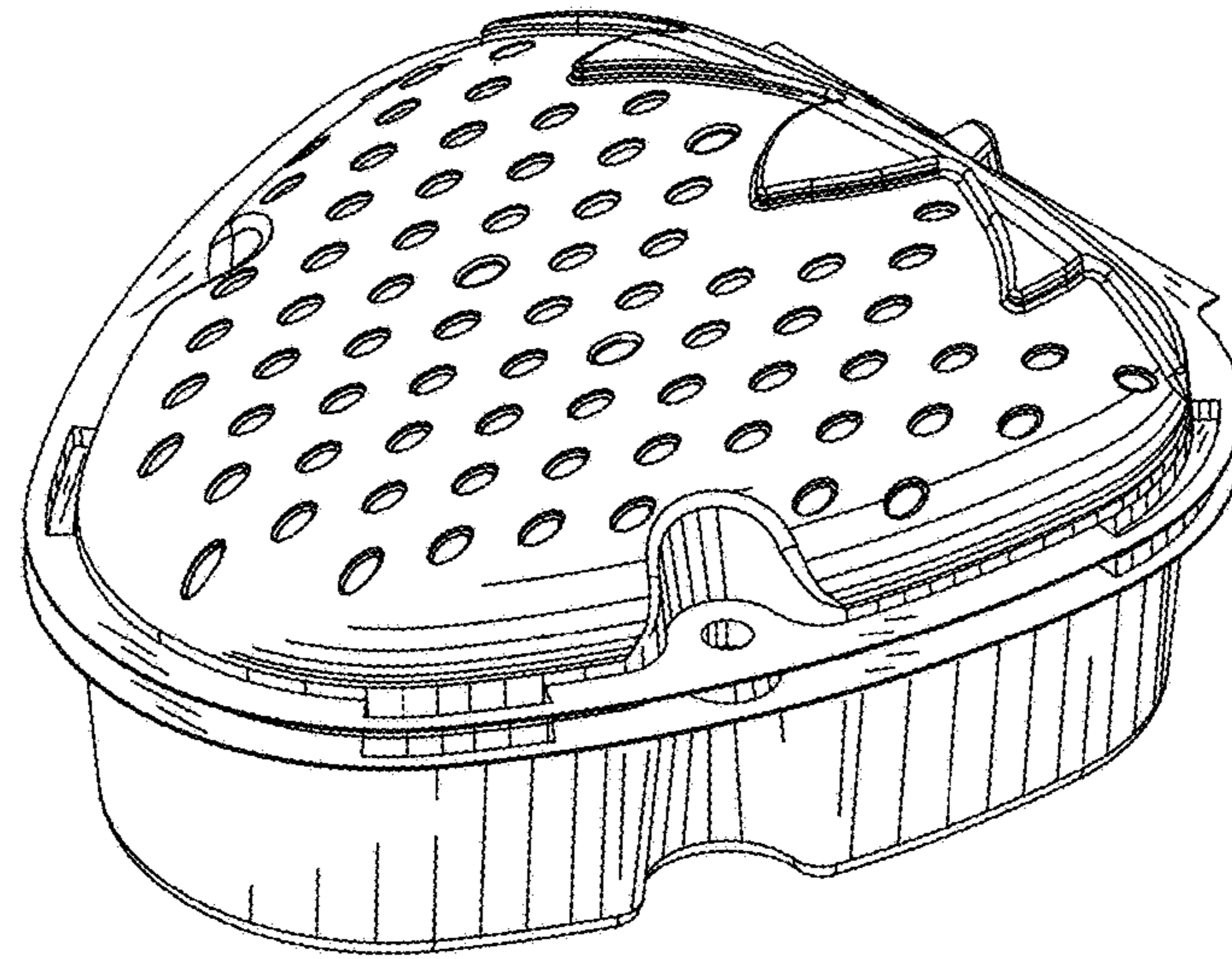


FIGURE 2

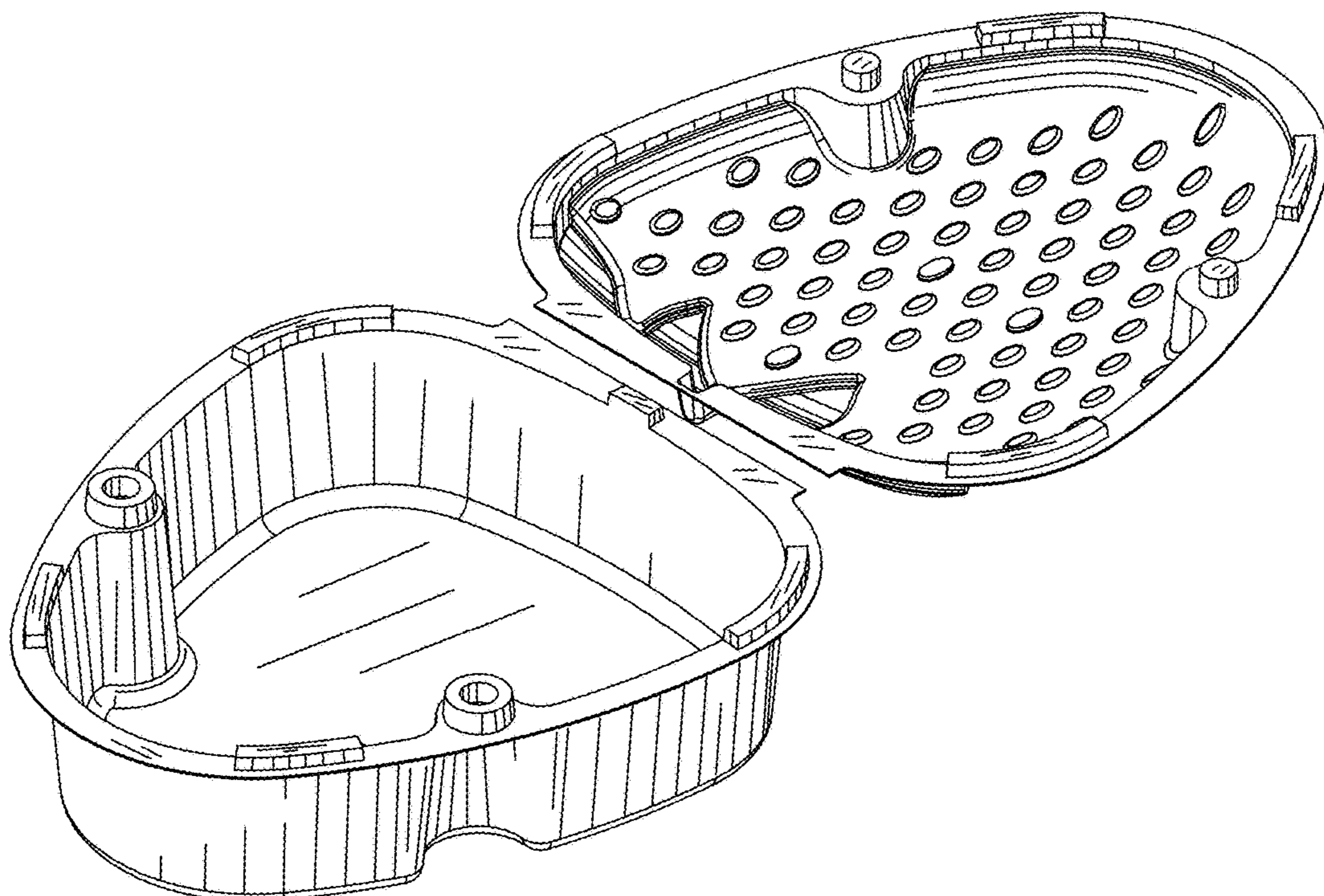


FIGURE 3

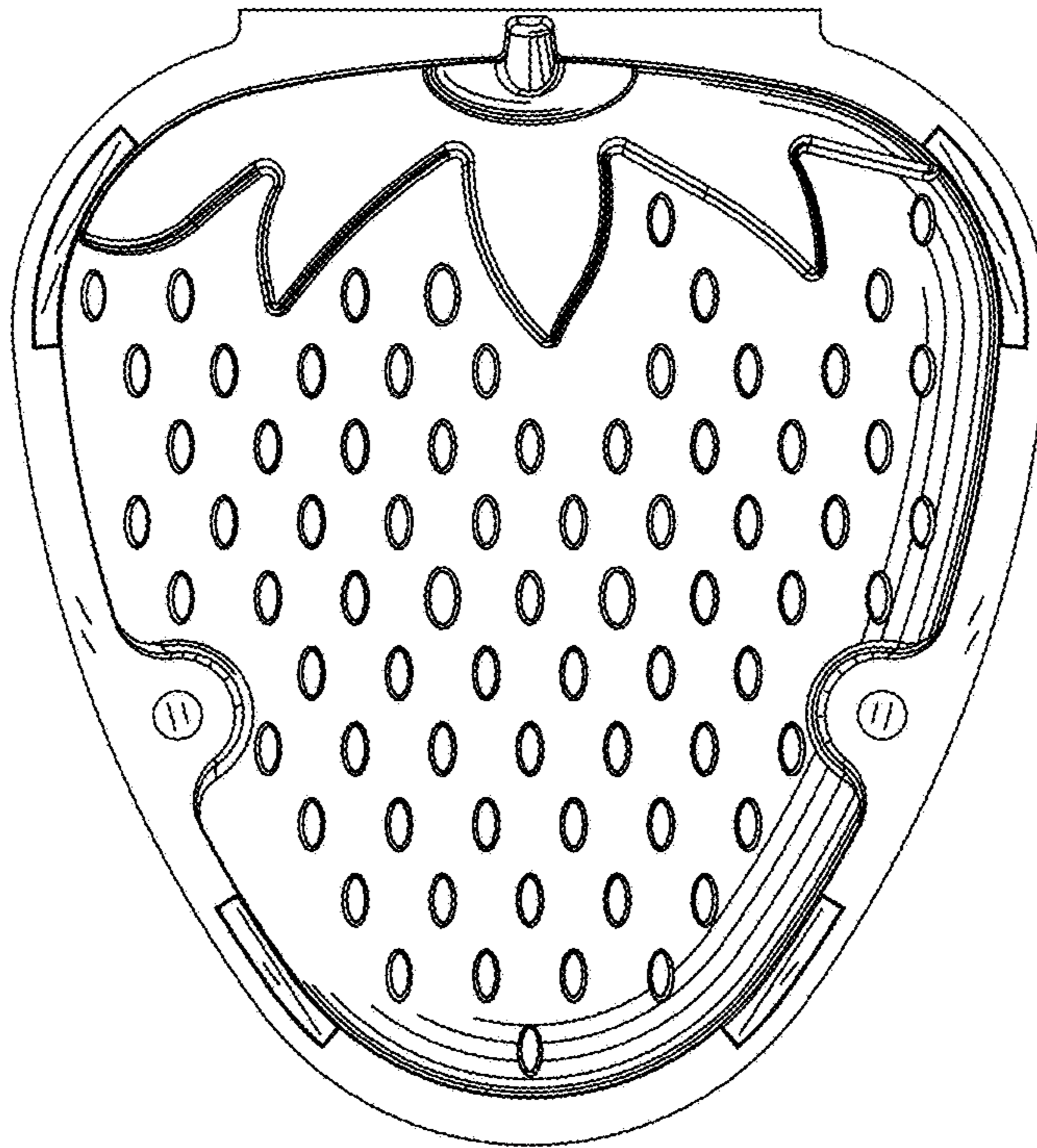


FIGURE 4

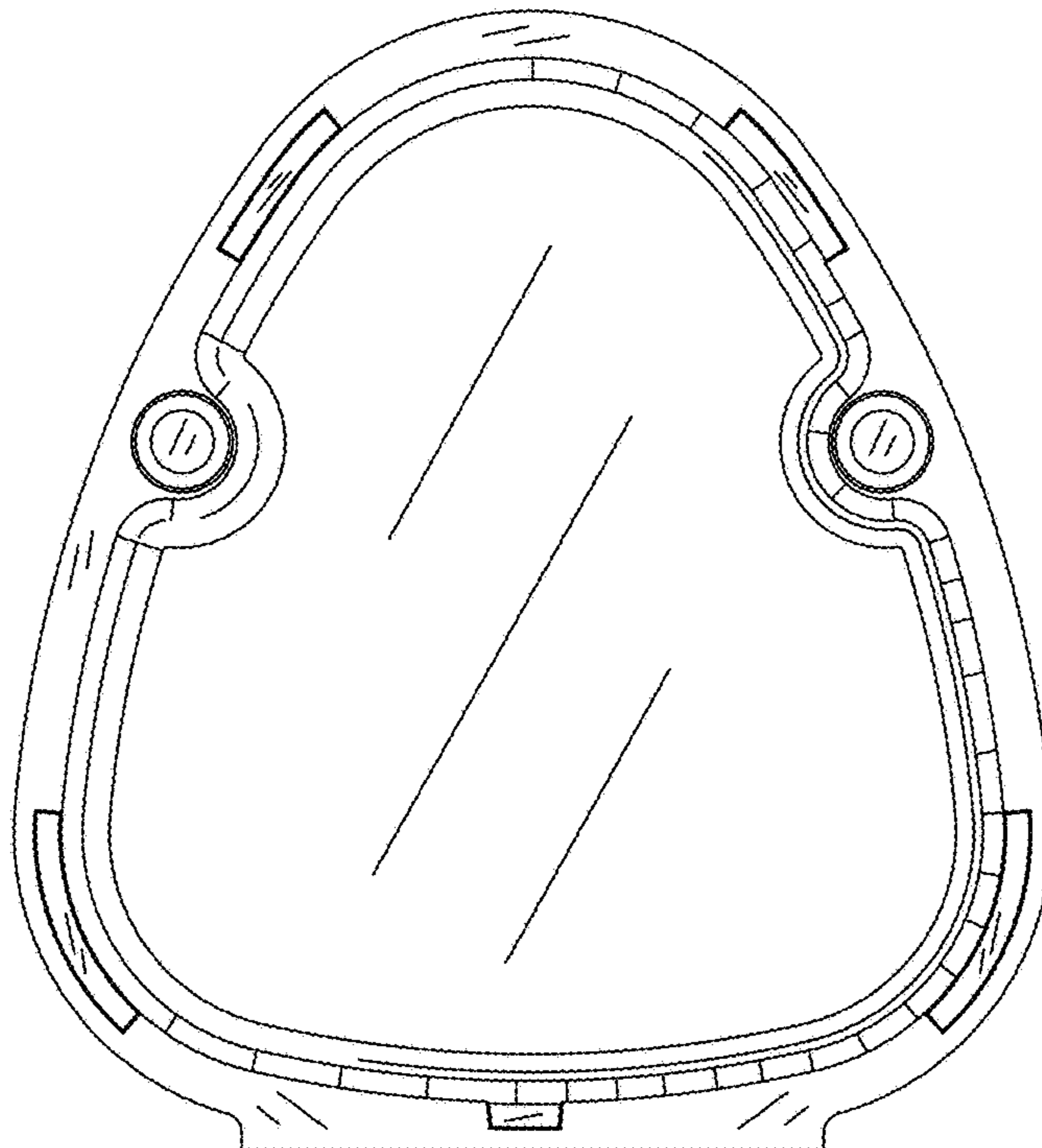


FIGURE 5

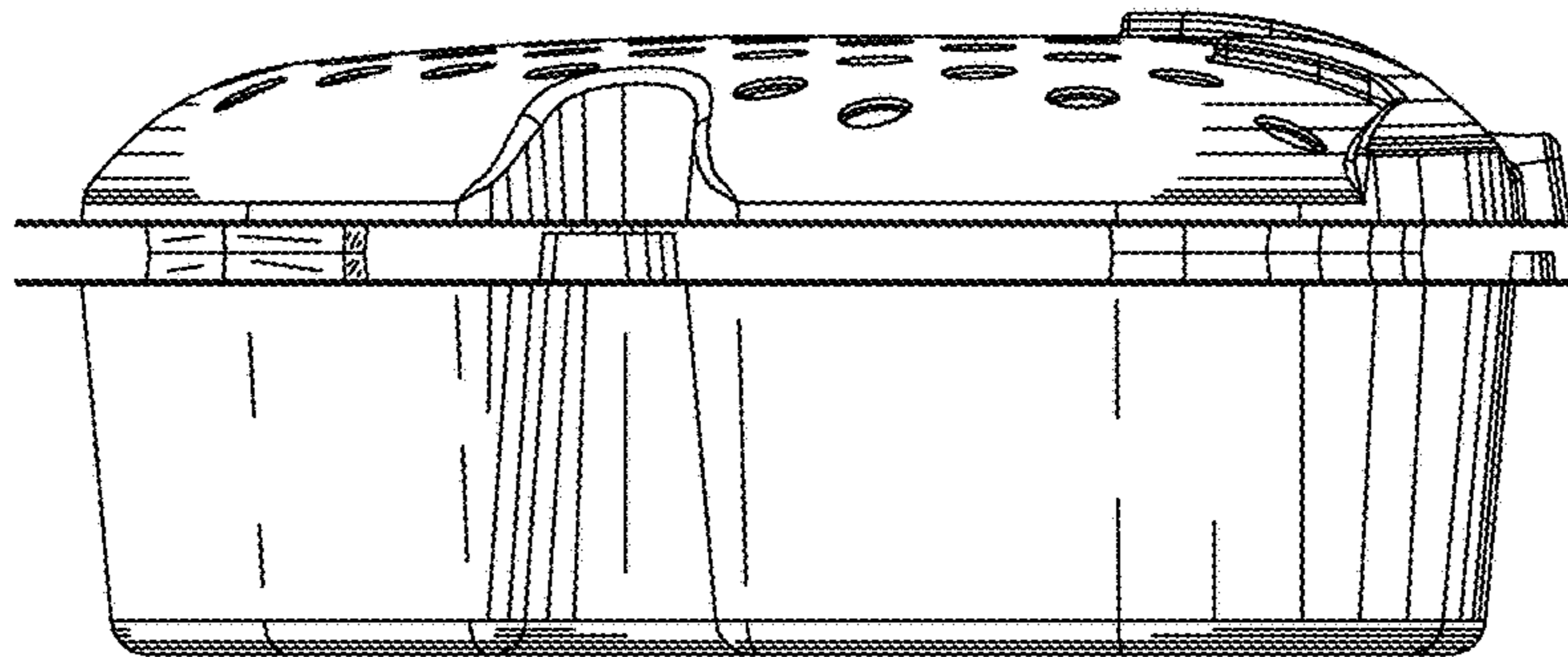


FIGURE 6

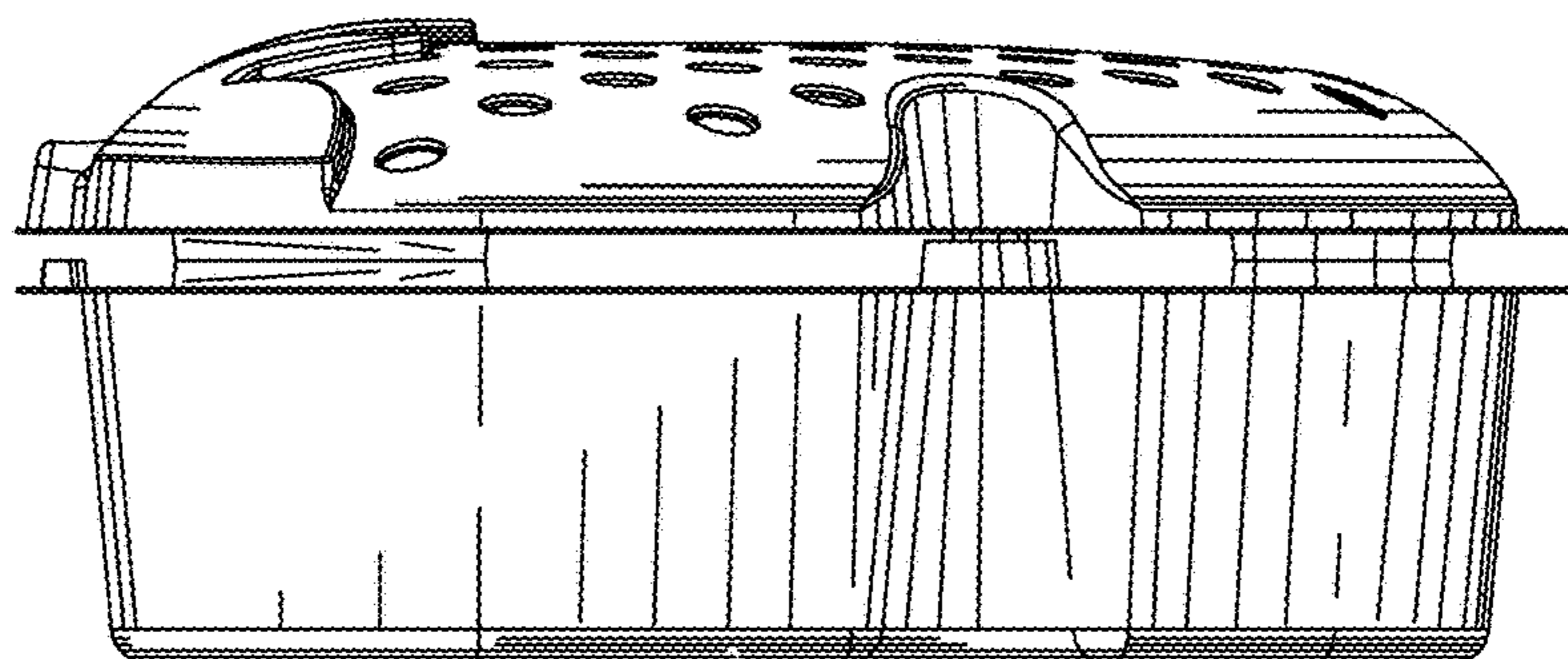


FIGURE 7

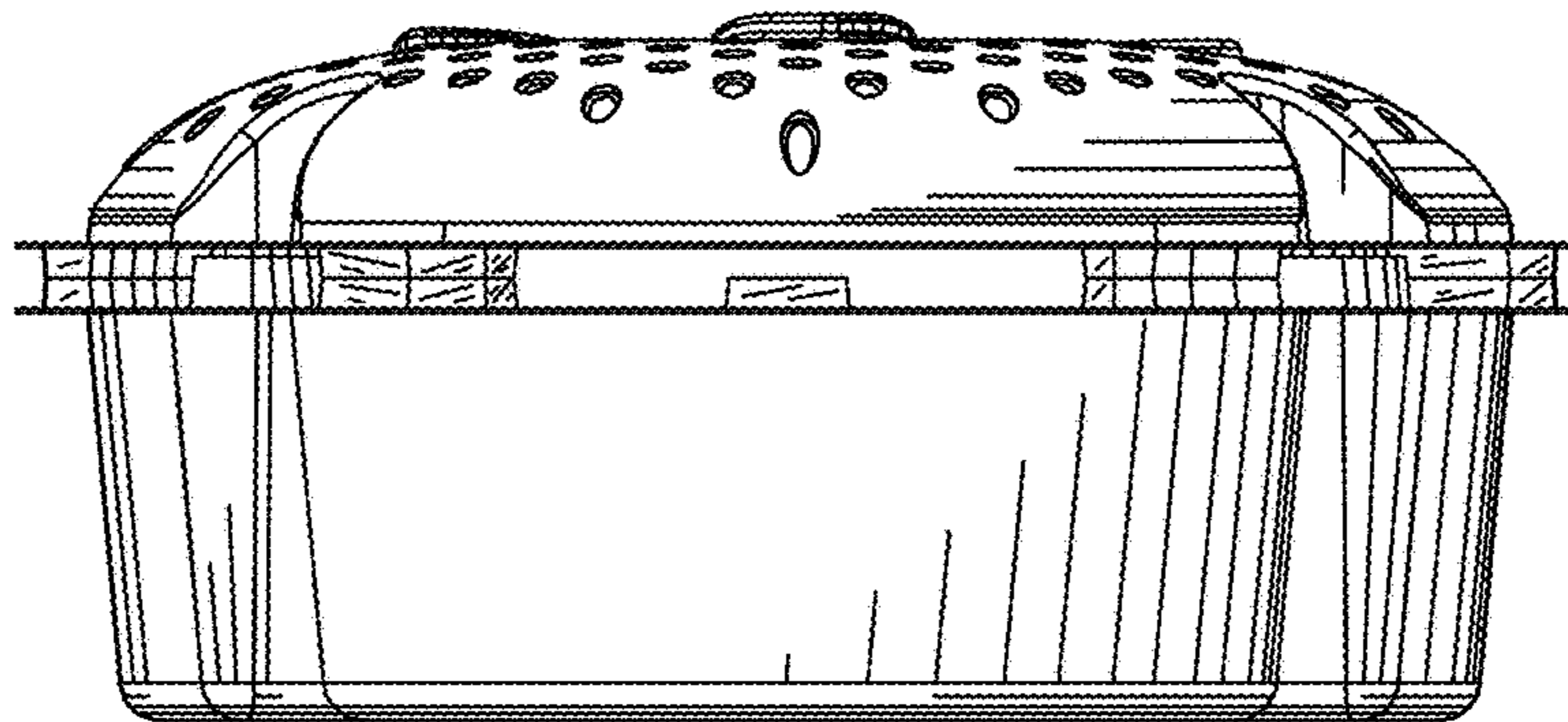


FIGURE 8

