



US00D818833S

(12) **United States Design Patent** (10) **Patent No.:** **US D818,833 S**  
**Caly** (45) **Date of Patent:** **\*\* May 29, 2018**

(54) **BLUEBERRY-SHAPED CONTAINER**

(71) Applicant: **VACO PAK INDUSTRIES LTD.,**  
Yahud (IL)

(72) Inventor: **Roy Caly, Kibbutz Yakum (IL)**

(73) Assignee: **Vaco Pak Industries Ltd., Yahud (IL)**

(\*\*) Term: **15 Years**

(21) Appl. No.: **29/599,847**

(22) Filed: **Apr. 7, 2017**

(51) **LOC (11) Cl.** ..... **09-01**

(52) **U.S. Cl.**

USPC ..... **D9/645**; D9/428; D9/426

(58) **Field of Classification Search**

USPC ..... D3/270, 271.1-271.4; D7/509-511,  
D7/514-521, 576-577, 594, 599, 604,  
D7/613, 619.2, 623, 628; D9/600,  
D9/643-647, 500-516, 523, 529,  
D9/544-547, 414-434; 206/457, 459.5,  
206/527; 215/381-384, 400

CPC .... B65D 5/4258; B65D 81/60; B65D 81/365;  
B65D 81/366; B65D 81/368; B65D  
2203/00; B65D 2203/02; B65D 85/34

See application file for complete search history.

(56) **References Cited**

**U.S. PATENT DOCUMENTS**

D334,865 S \* 4/1993 Munch ..... D7/354  
D418,022 S \* 12/1999 Hansen ..... D9/646  
D489,254 S \* 5/2004 Kocis ..... D9/418  
D556,569 S \* 12/2007 Stein ..... D9/424

D562,082 S \* 2/2008 Ehrenhaus ..... D7/628  
D640,547 S \* 6/2011 Guillemin ..... D9/417  
D666,460 S \* 9/2012 Kolano ..... D9/645  
D684,461 S \* 6/2013 Chen ..... D9/429  
D758,138 S \* 6/2016 Kolano ..... D7/628  
2016/0325891 A1\* 11/2016 Lam ..... B65D 43/16

**OTHER PUBLICATIONS**

Blueberry packaging, dated May 15, 2008. <http://www.ljcfyi.com/2008/05/>.\*

Blueberry Lip Balm, dated Apr. 4, 2011. <http://www.musingsofamuse.com/2011/04/tony-moly-mini-berry-lip-balm-re-view-swatches-photos.html>.\*

\* cited by examiner

*Primary Examiner* — Sandra L Morris

(74) *Attorney, Agent, or Firm* — Roach Brown McCarthy & Gruber, P.C.; Kevin D. McCarthy

(57) **CLAIM**

The ornamental design for a blueberry-shaped container, as shown and described.

**DESCRIPTION**

FIG. 1 is an isometric view of a blueberry-shaped container of the applicant's design;

FIG. 2 is a view of FIG. 1 with the top section flipped open thereof;

FIG. 3 is a left side view of FIG. 1;

FIG. 4 is a right side view of FIG. 1;

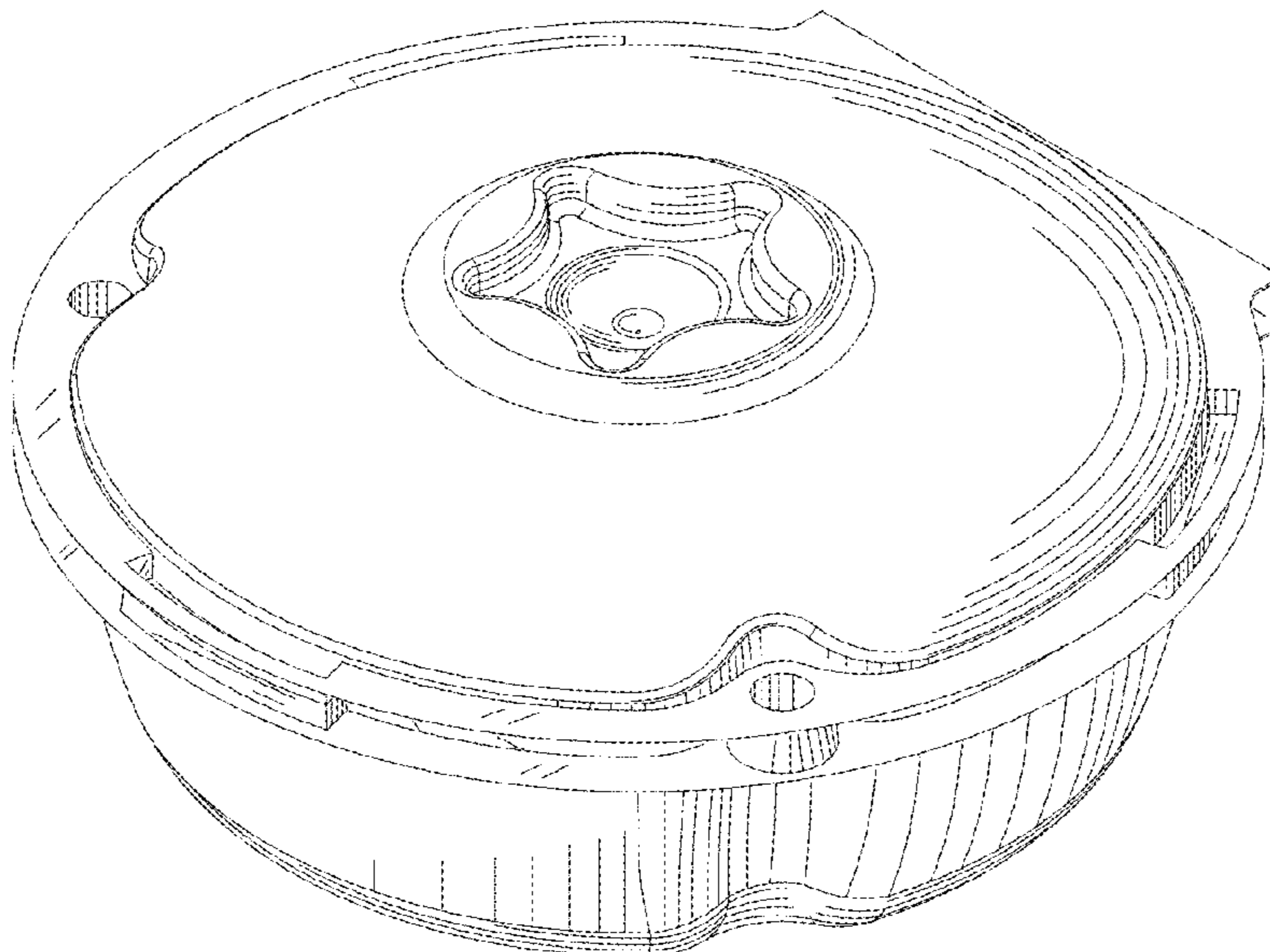
FIG. 5 is a back view of FIG. 1;

FIG. 6 is a front view of FIG. 1;

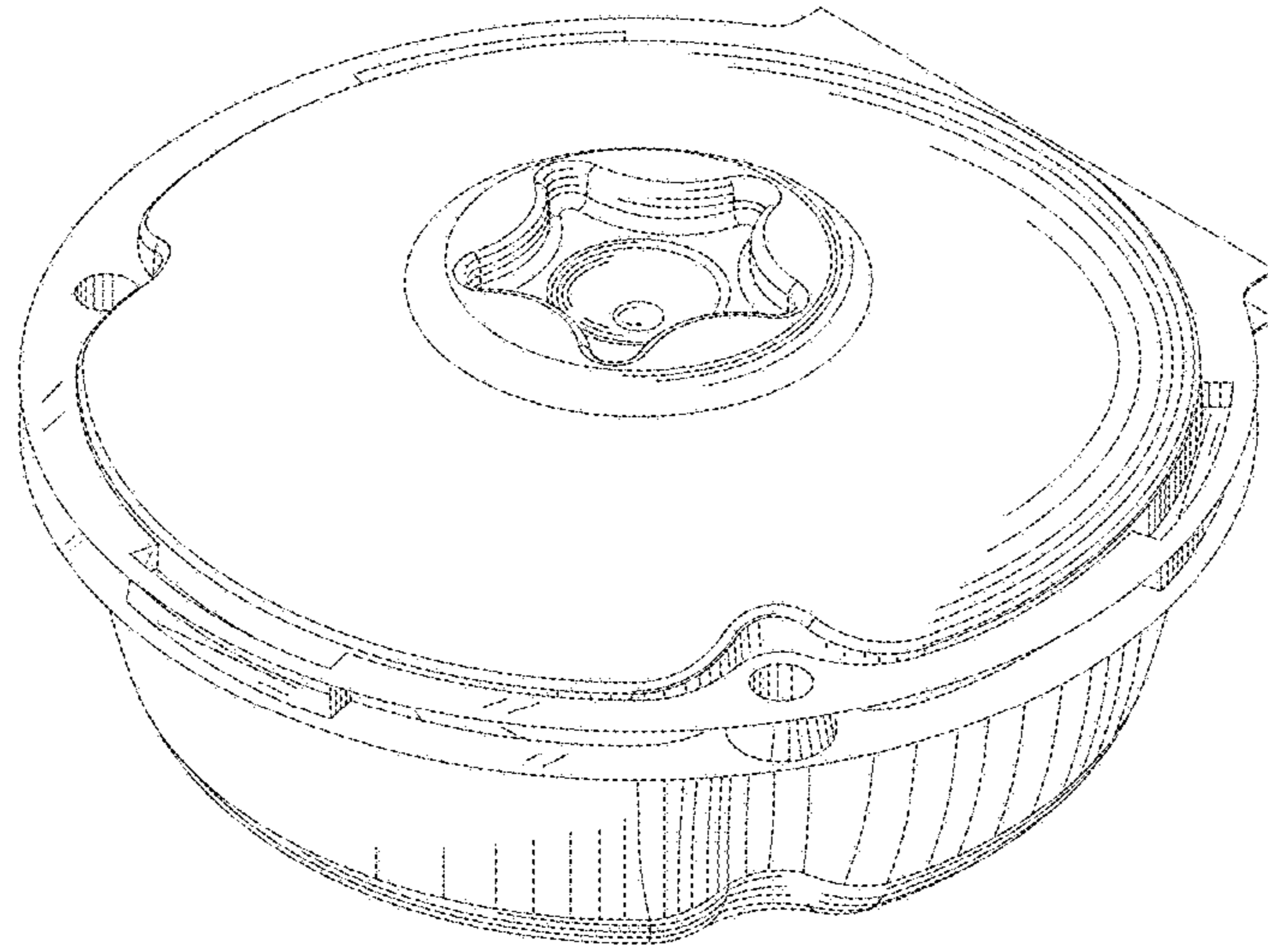
FIG. 7 is a top view of FIG. 1; and,

FIG. 8 is a bottom view of FIG. 1.

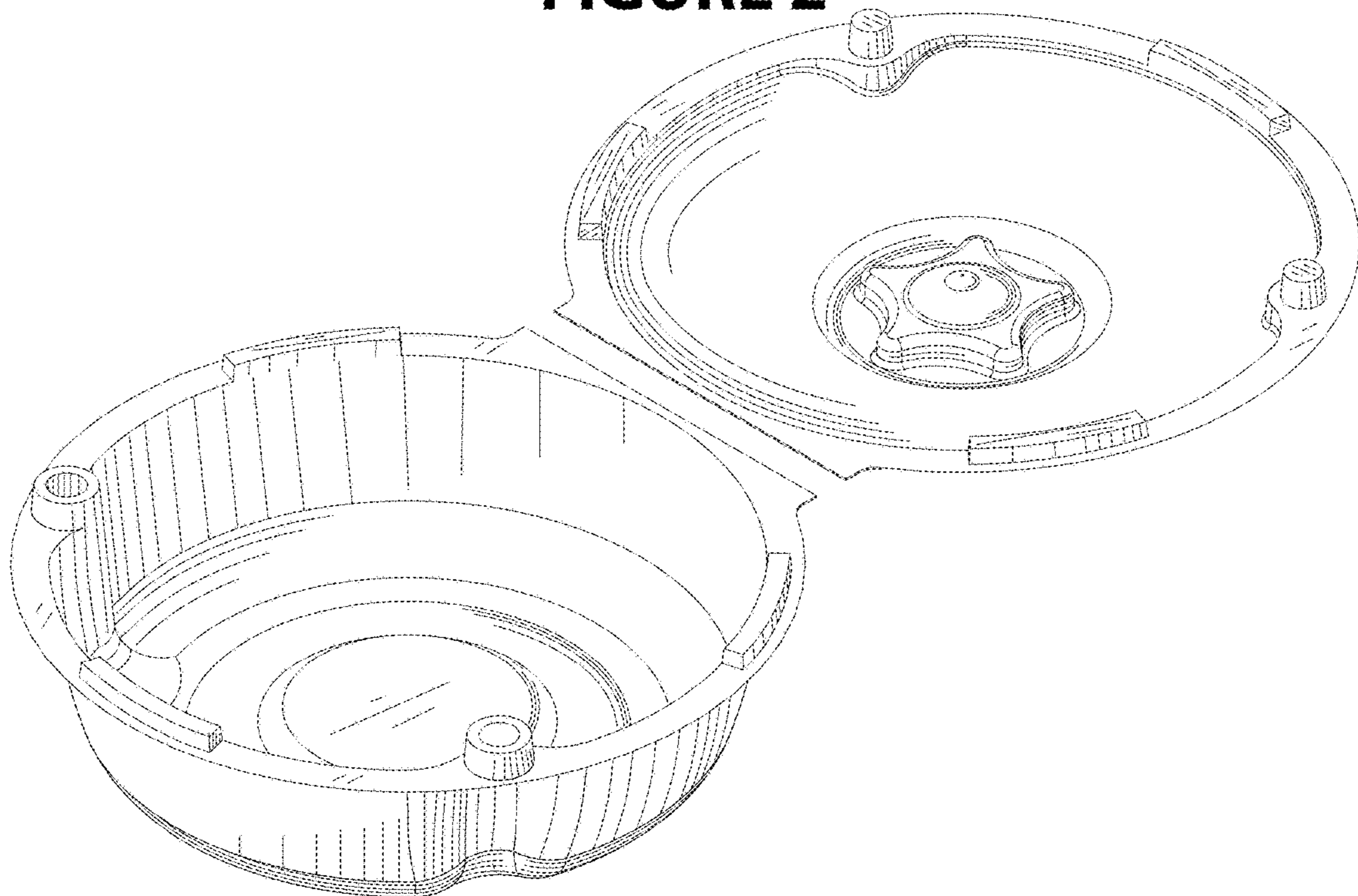
**1 Claim, 4 Drawing Sheets**



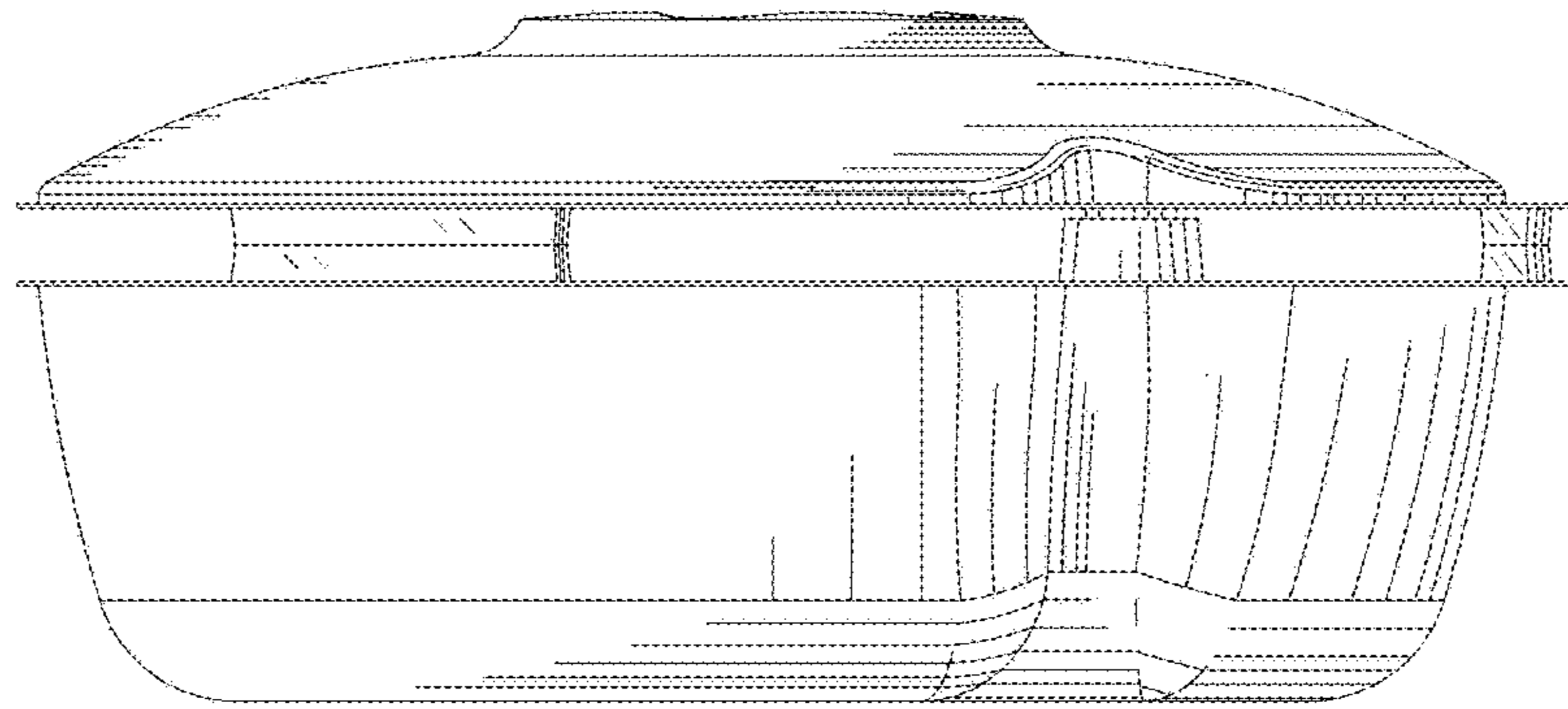
**FIGURE 1**



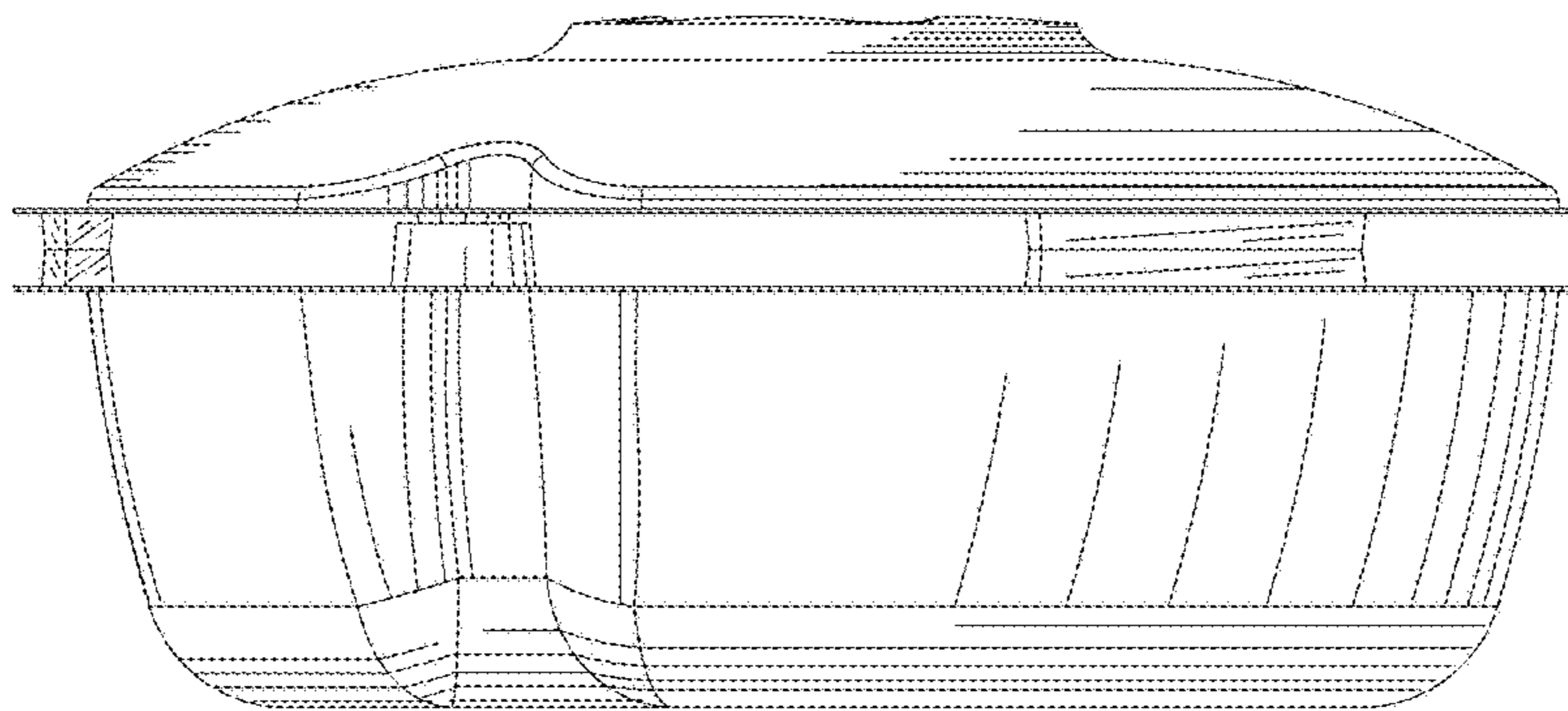
**FIGURE 2**



**FIGURE 3**

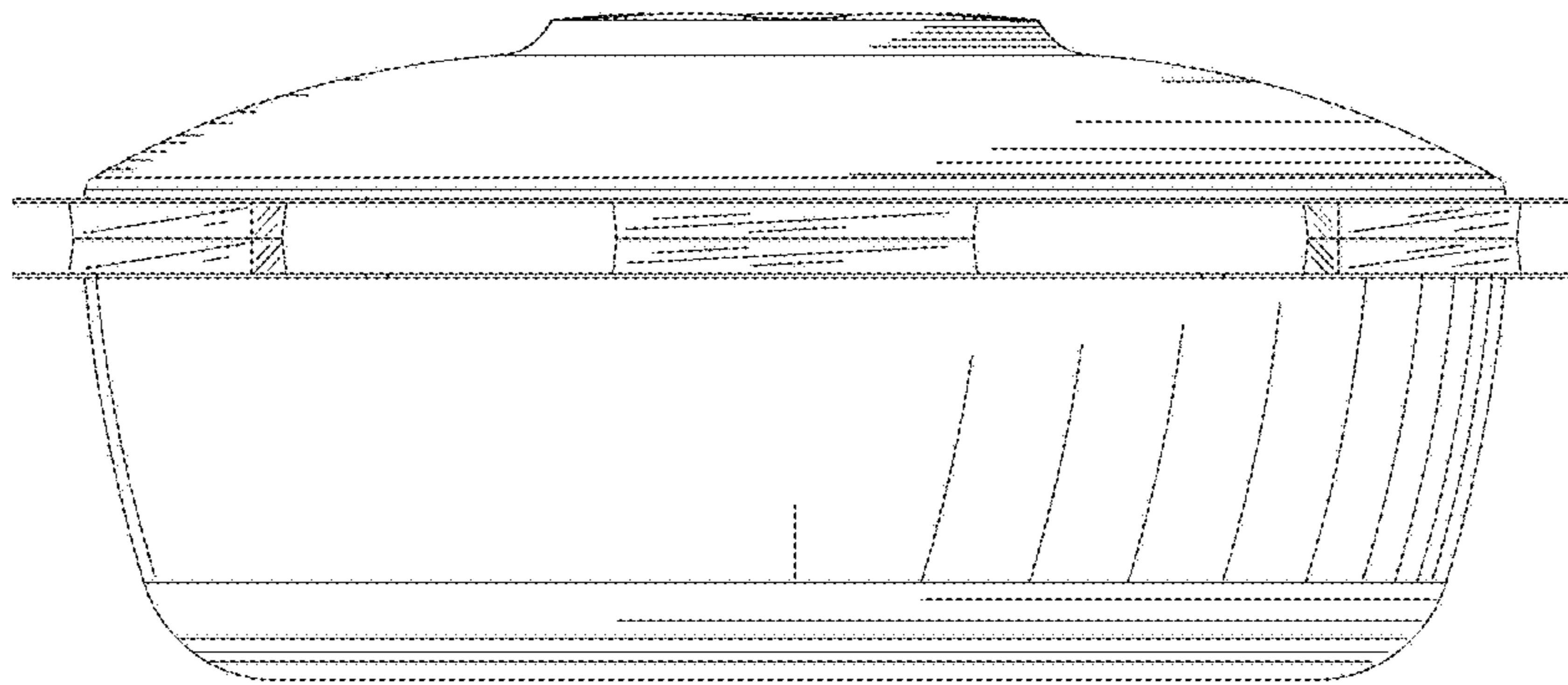


**FIGURE 4**

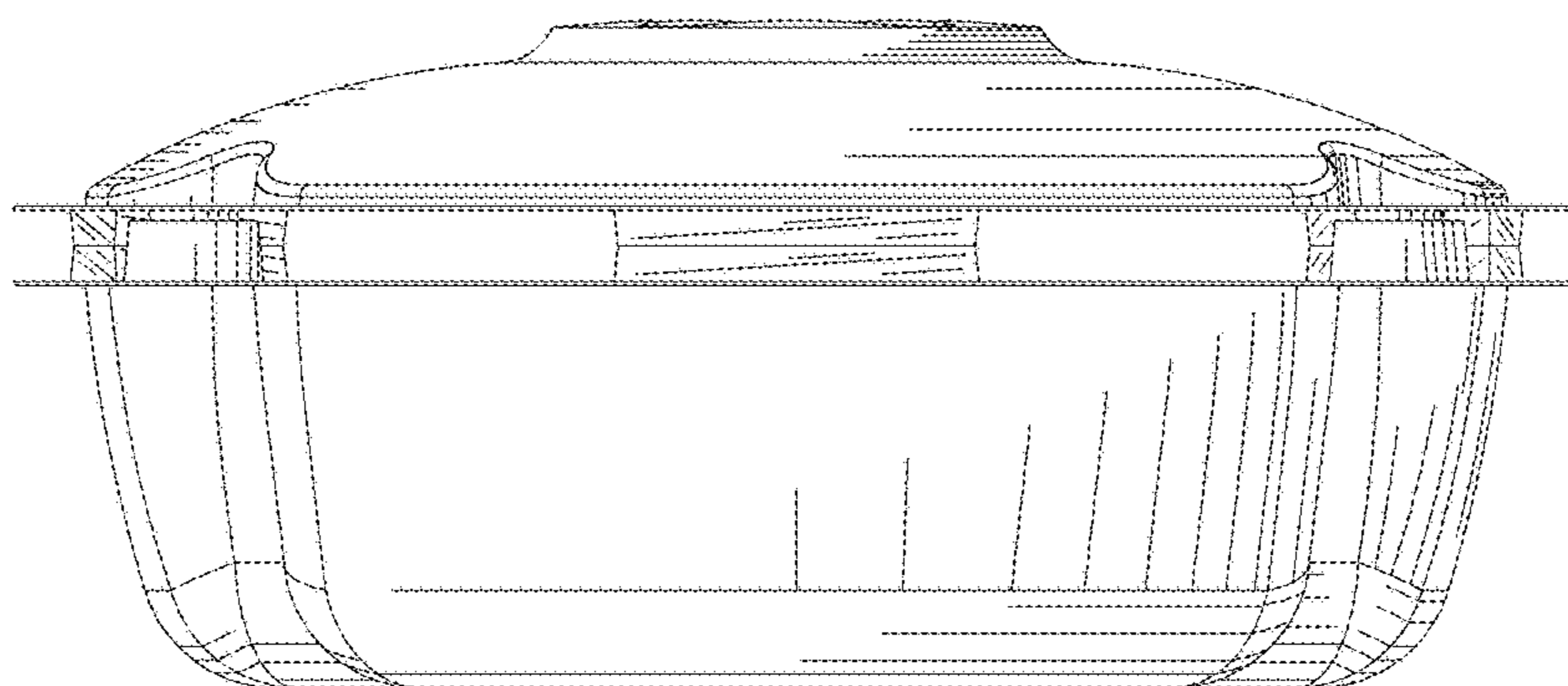




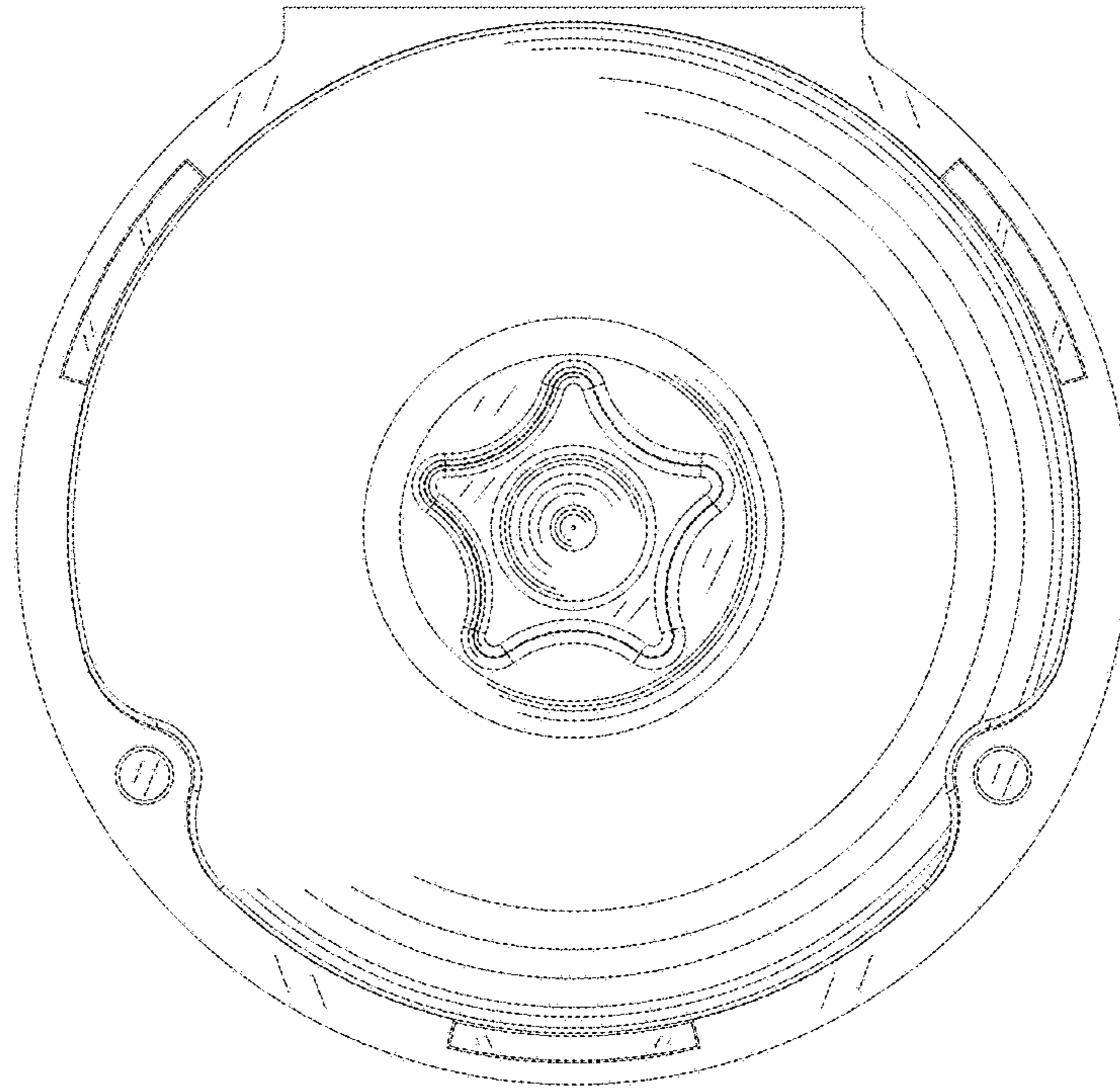
**FIGURE 5**



**FIGURE 6**



**FIGURE 7**



**FIGURE 8**

