



US00D818832S

(12) **United States Design Patent** (10) **Patent No.:** **US D818,832 S**
Caly (45) **Date of Patent:** **** May 29, 2018**

(54) **APPLE-SHAPED CONTAINER**
(71) Applicant: **VACO PAK INDUSTRIES LTD.,**
Yahud (IL)
(72) Inventor: **Roy Caly, Kibbutz Yakum (IL)**
(73) Assignee: **Vaco Pak Industries Ltd., Yahud (IL)**
(**) Term: **15 Years**

D512,582 S * 12/2005 Scholze D7/392.1
D582,158 S * 12/2008 Nathanson D21/385
D615,828 S * 5/2010 Shamoon D7/699
D615,829 S * 5/2010 Shamoon D7/699
D633,331 S * 3/2011 Lion D7/354
D666,460 S * 9/2012 Kolano D7/628
D688,137 S * 8/2013 Kuo et al. D9/645
D751,918 S * 3/2016 Hojaiban D9/414
D765,517 S * 9/2016 Rasgon D9/415

(21) Appl. No.: **29/599,844**
(22) Filed: **Apr. 7, 2017**
(51) **LOC (11) Cl.** **09-01**
(52) **U.S. Cl.**
USPC **D9/645; D9/426**
(58) **Field of Classification Search**
USPC D3/270, 271.1-271.4; D7/509-511,
D7/514-521, 576-577, 594, 599, 604,
D7/613, 619.2, 623, 628; D9/600,
D9/643-647, 500-516, 523, 529,
D9/544-547, 414-434; 206/457, 459.5,
206/527; 215/381-384, 400
CPC B65D 5/4258; B65D 81/60; B65D 81/365;
B65D 81/366; B65D 81/368; B65D
2203/00; B65D 2203/02; B65D 85/34
See application file for complete search history.

OTHER PUBLICATIONS

Apple shaped lip balm, published Aug. 2015. <http://www.pineapplelipstick.com/2015/08/is-it-fruit-or-hand-cream.html>.*

* cited by examiner

Primary Examiner — Sandra L Morris
(74) *Attorney, Agent, or Firm* — Roach Brown McCarthy & Gruber, P.C.; Kevin D. McCarthy

(56) **References Cited**
U.S. PATENT DOCUMENTS

D251,238 S * 3/1979 Lutzker D11/151
D299,992 S * 2/1989 Michel B65D 43/16
D442,834 S * 5/2001 Perez D7/628
D454,061 S * 3/2002 Davis D9/645
D489,971 S * 5/2004 Tamez D28/67
D506,351 S * 6/2005 Scholze D7/360

(57) **CLAIM**

The ornamental design for an apple-shaped container, as shown and described.

DESCRIPTION

FIG. 1 is an isometric view of an apple-shaped container of the applicant's design;
FIG. 2 is a view of FIG. 1 with the top section flipped open thereof;
FIG. 3 is a top view of FIG. 1;
FIG. 4 is a bottom view of FIG. 1;
FIG. 5 is a back view of FIG. 1;
FIG. 6 is a front view of FIG. 1;
FIG. 7 is a right-side view of FIG. 1; and,
FIG. 8 is a left-side view of FIG. 1.

1 Claim, 4 Drawing Sheets

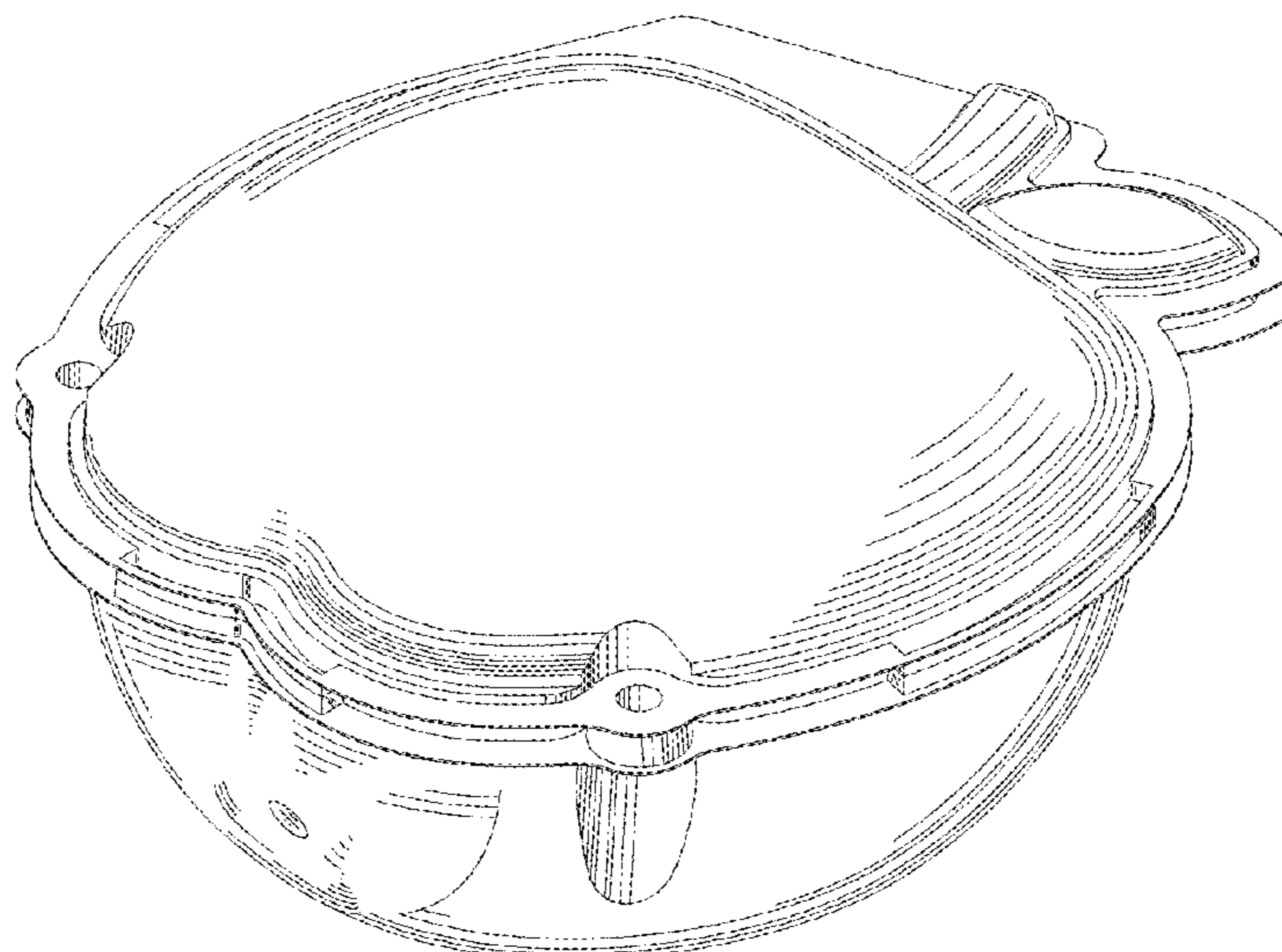


Figure 1

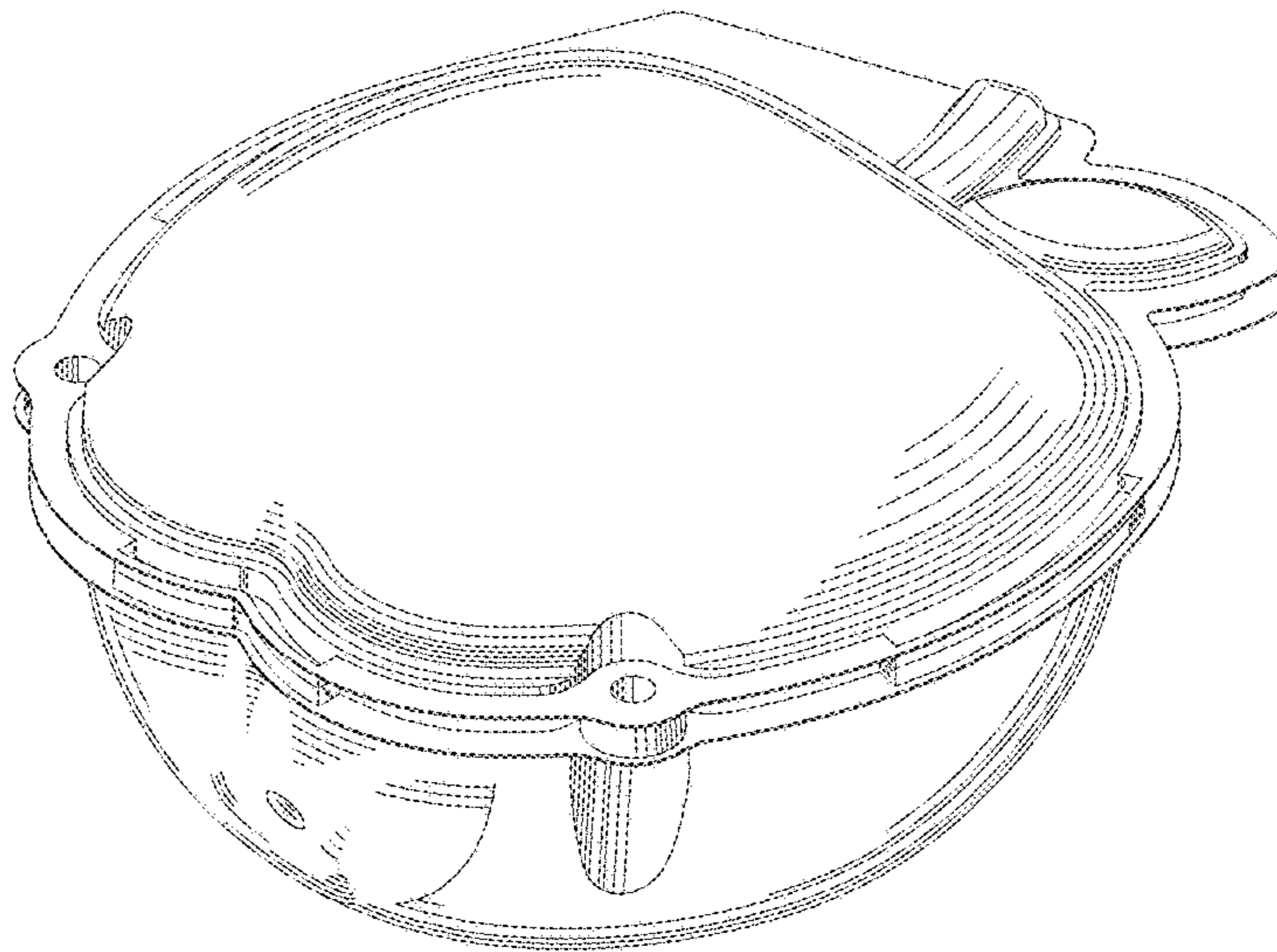


Figure 2

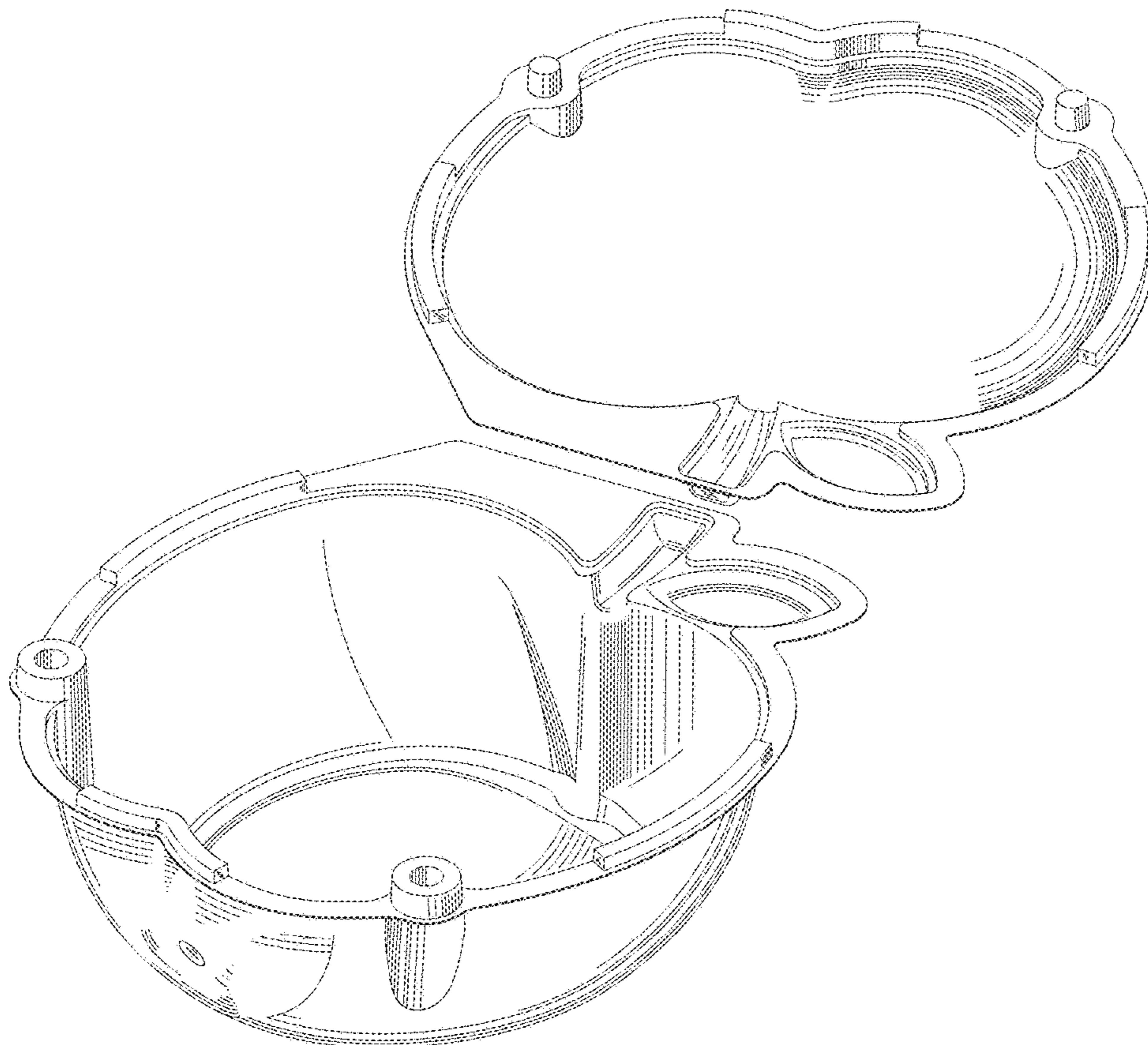


Figure 3

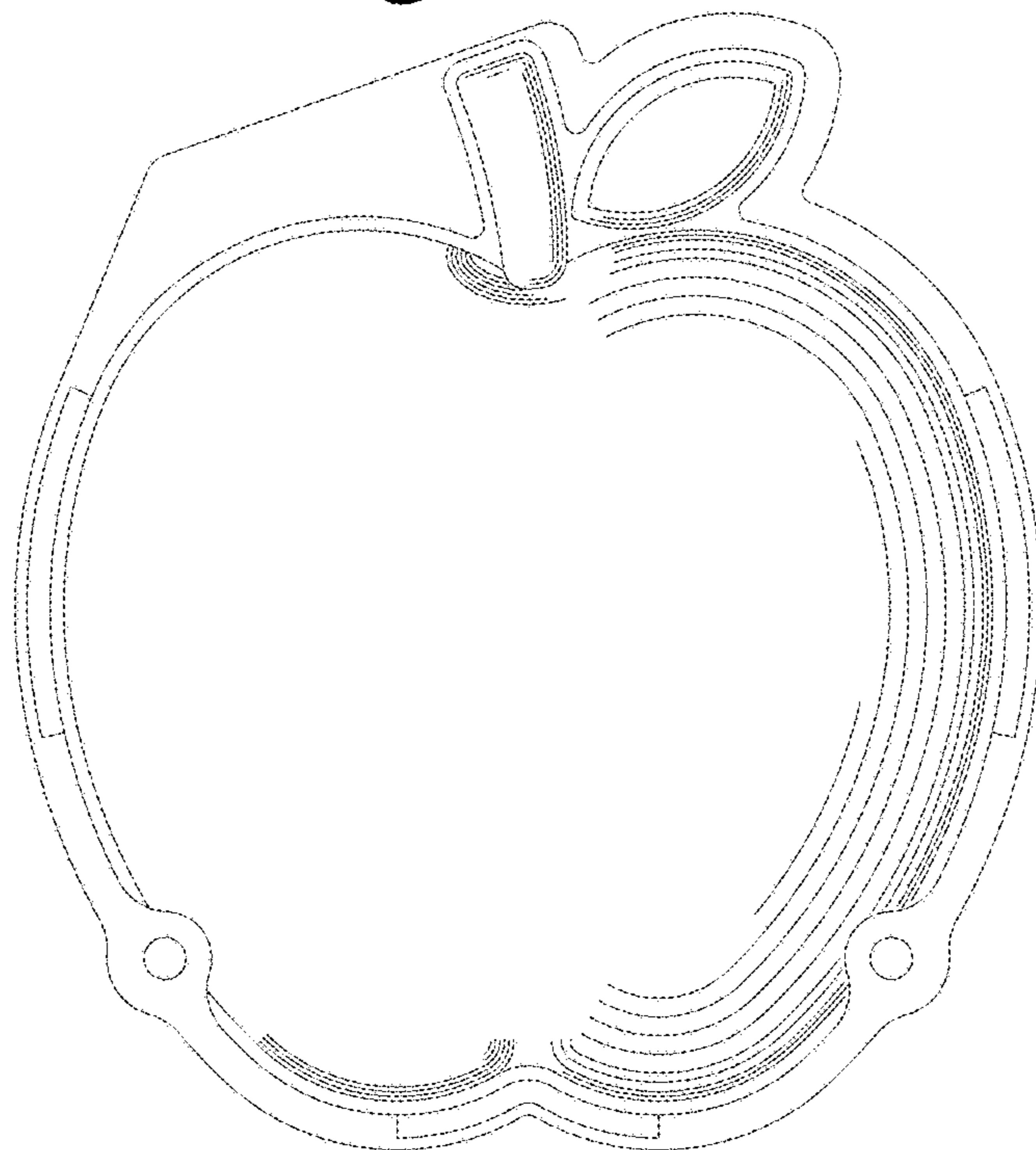


Figure 4

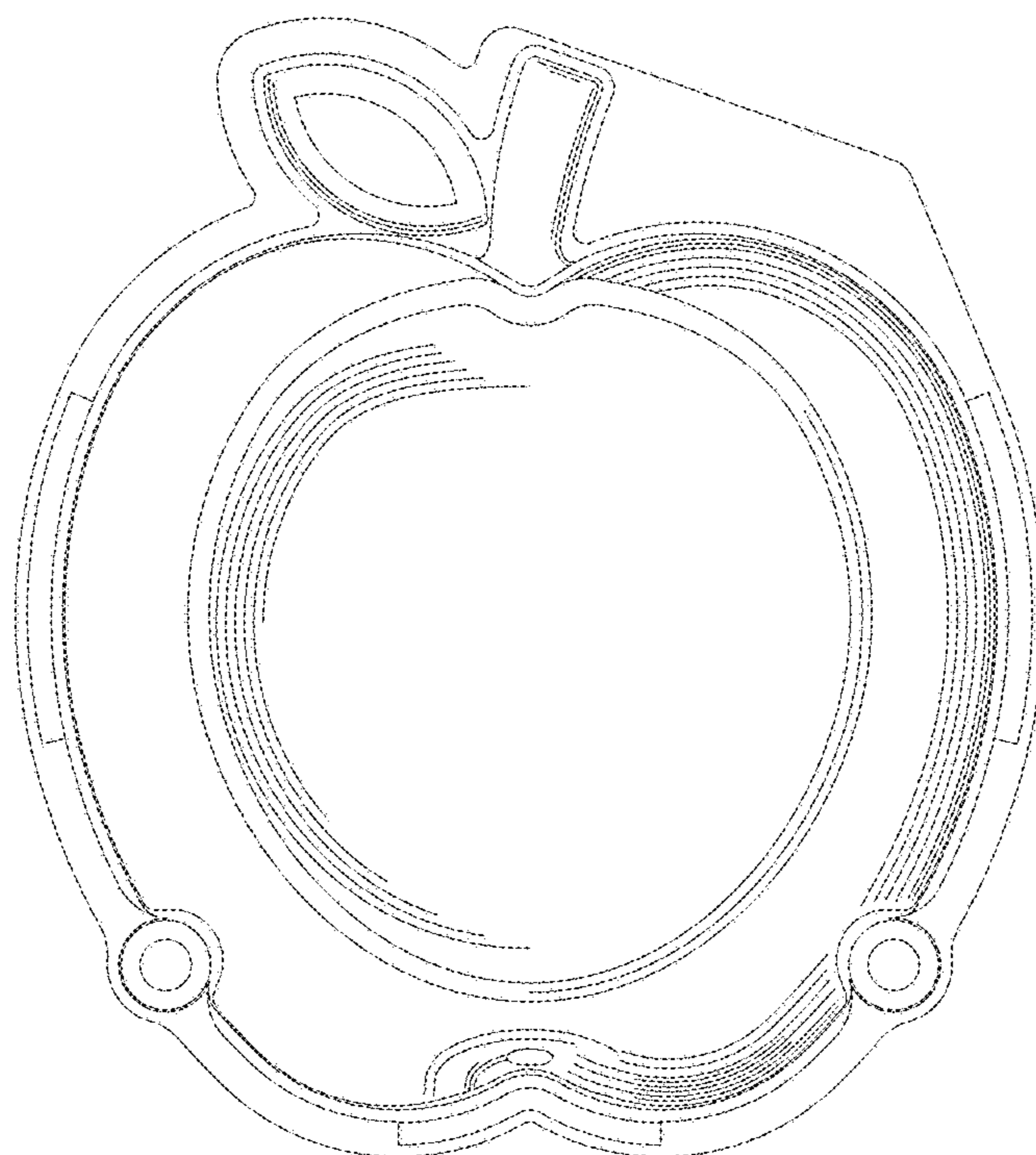


Figure 5

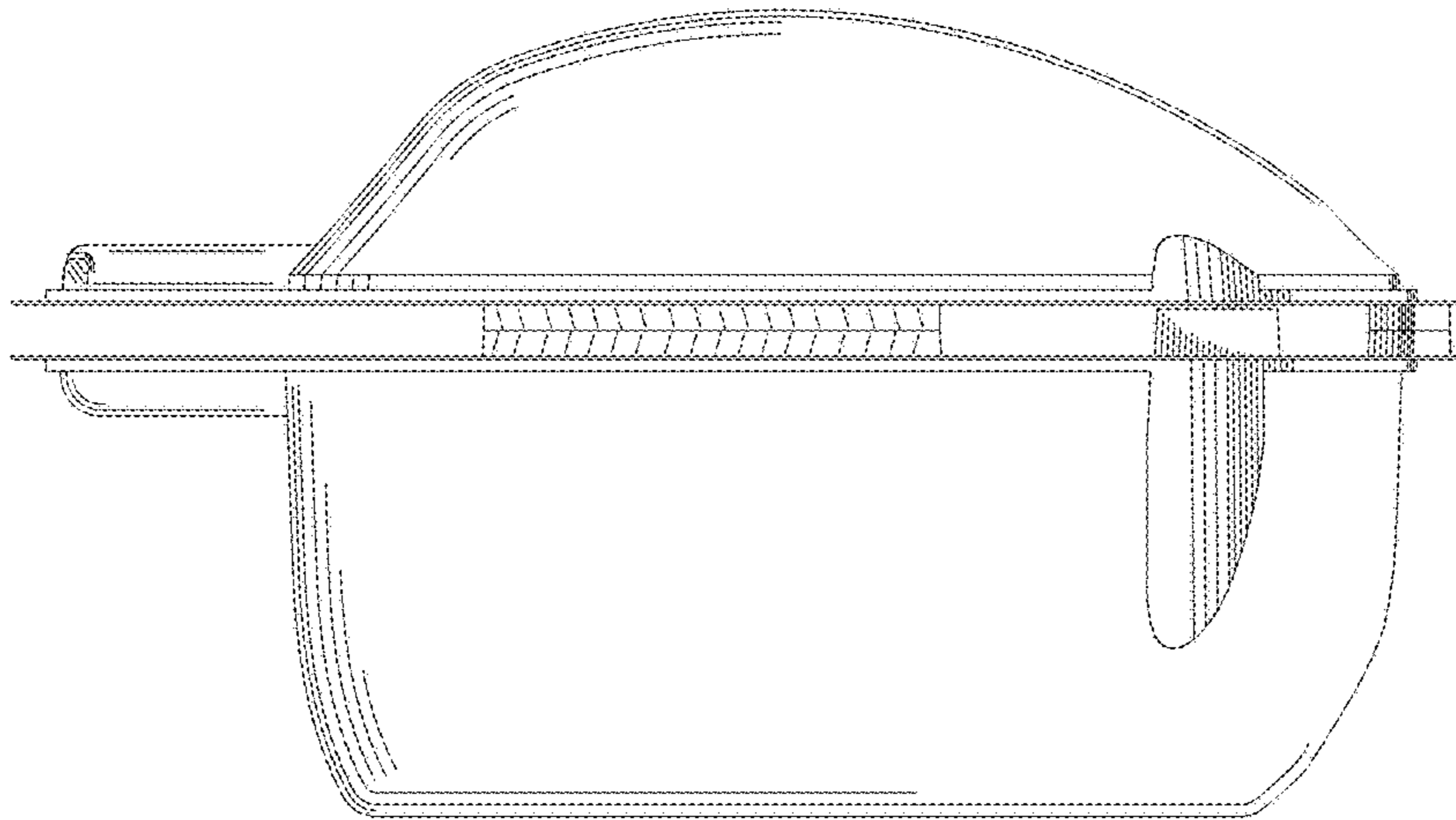


Figure 6

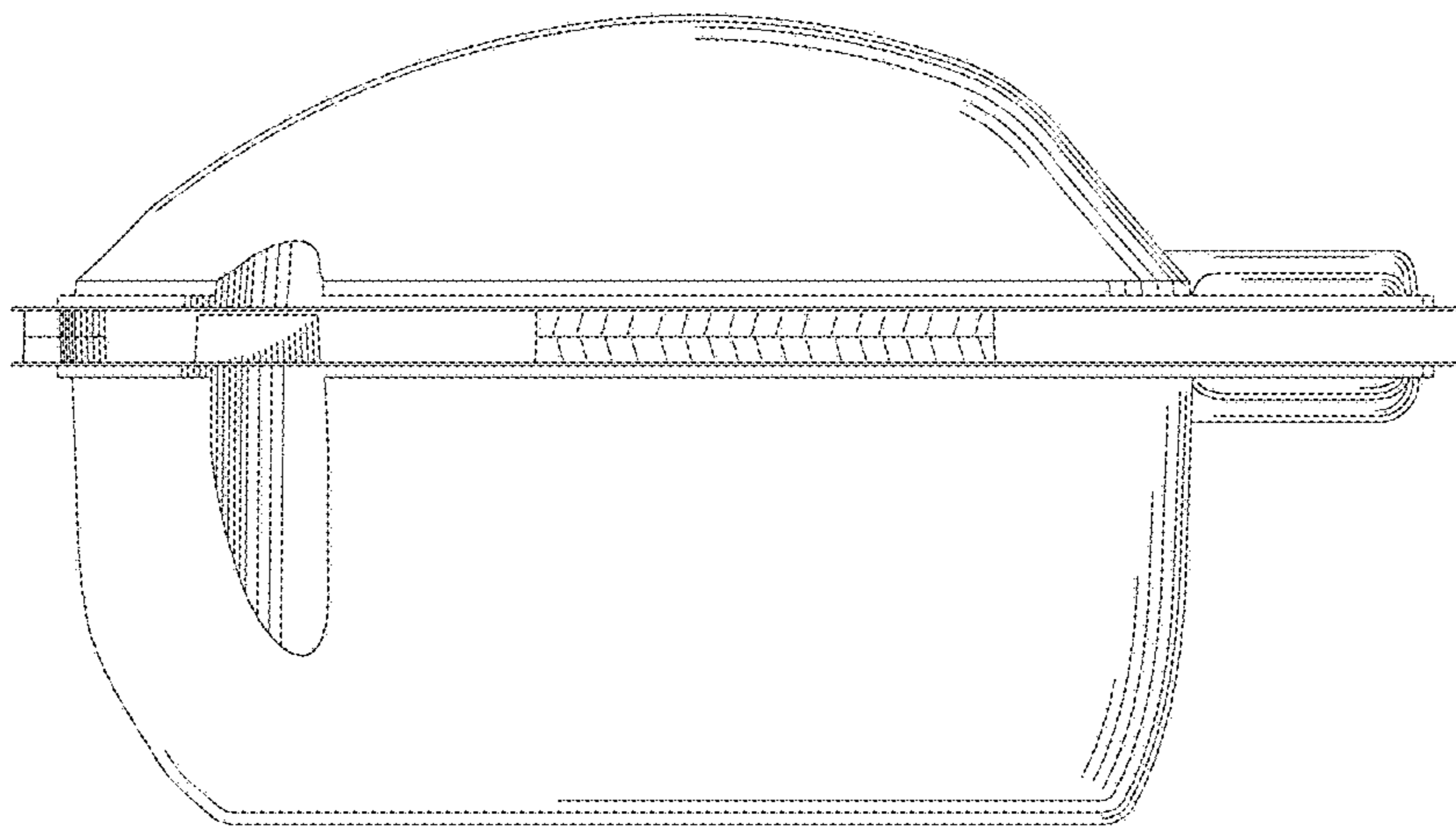


Figure 7

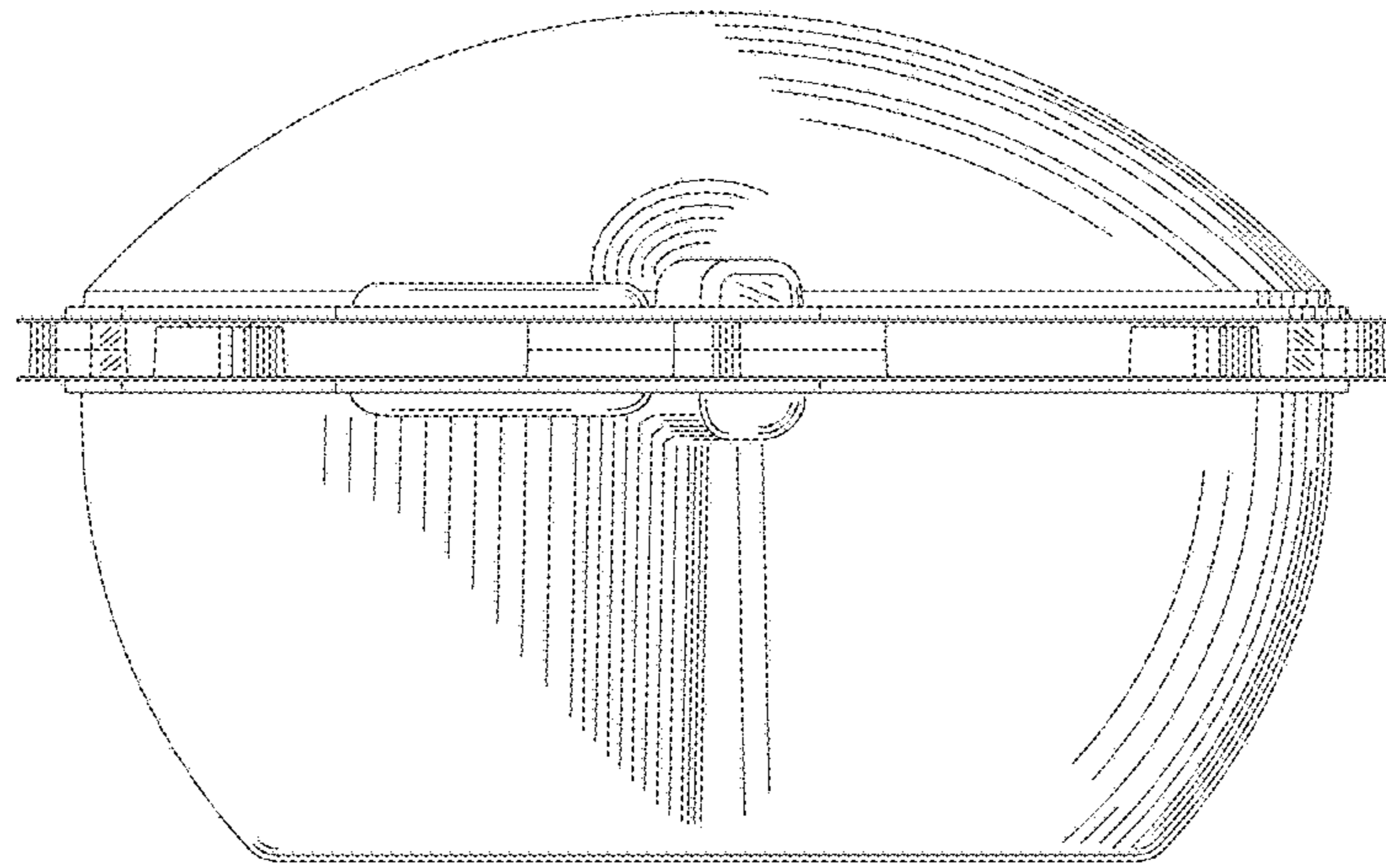


Figure 8

