



US00D818830S

(12) **United States Design Patent**  
**Hudson et al.**

(10) **Patent No.:** **US D818,830 S**

(45) **Date of Patent:** **\*\* May 29, 2018**

(54) **STORAGE CONTAINER**

D340,189 S 10/1993 Fletcher  
D355,365 S \* 2/1995 Charbonneau ..... D9/524  
D367,201 S \* 2/1996 Joergensen ..... D7/305

(71) Applicant: **THE SHERWIN-WILLIAMS COMPANY**, Cleveland, OH (US)

(Continued)

(72) Inventors: **Richard D. Hudson**, North Olmsted, OH (US); **James J. Johnson**, Akron, OH (US); **Gustavo A. Morales**, Brunswick, OH (US); **Edward Ray Goodwin, Jr.**, Westlake, OH (US); **Michael C. Lambertson, Jr.**, Aurora, OH (US); **Charles T. Buckel, Jr.**, Valley City, OH (US)

*Primary Examiner* — Ian Simmons

*Assistant Examiner* — Keith Frank

(74) *Attorney, Agent, or Firm* — Tucker Ellis LLP; Carlos Garritano

(57) **CLAIM**

The ornamental design for a storage container, as shown and described.

**DESCRIPTION**

(73) Assignee: **THE SHERWIN-WILLIAMS COMPANY**, Cleveland, OH (US)

FIG. 1 is a perspective view of a storage container showing our new design;

(\*\*) Term: **15 Years**

FIG. 2 is a rear perspective view of the storage container illustrated in FIG. 1;

(21) Appl. No.: **29/559,224**

FIG. 3 is a front view of the storage container illustrated in FIG. 1;

(22) Filed: **Mar. 25, 2016**

FIG. 4 is a rear view of the storage container illustrated in FIG. 1;

(51) **LOC (11) Cl.** ..... **09-01**

FIG. 5 is a left side view of the storage container illustrated in FIG. 1;

(52) **U.S. Cl.**

USPC ..... **D9/528**; D9/575

FIG. 6 is a right side view of the storage container illustrated in FIG. 1;

(58) **Field of Classification Search**

USPC ..... D7/598, 600; D9/454, 516, 522–524, D9/526–528, 530–533, 537, 540, 544, D9/545, 549, 575, 715, 719, 741–745; D32/53, 53.1, 54; D23/211, 211.1, 212

FIG. 7 is an enlarged bottom view of the storage container illustrated in FIG. 1; and,

CPC ..... B44D 3/12; B65D 25/32; B65D 21/0231; B65D 23/102; B65D 47/06

FIG. 8 is a top view of the storage container illustrated in FIG. 1.

See application file for complete search history.

The dash-dot-dash broken lines in the drawings define a boundary line of the claimed design and form no part thereof. The evenly dashed broken lines in the drawings illustrate portions of the storage container that form no part of the claimed design.

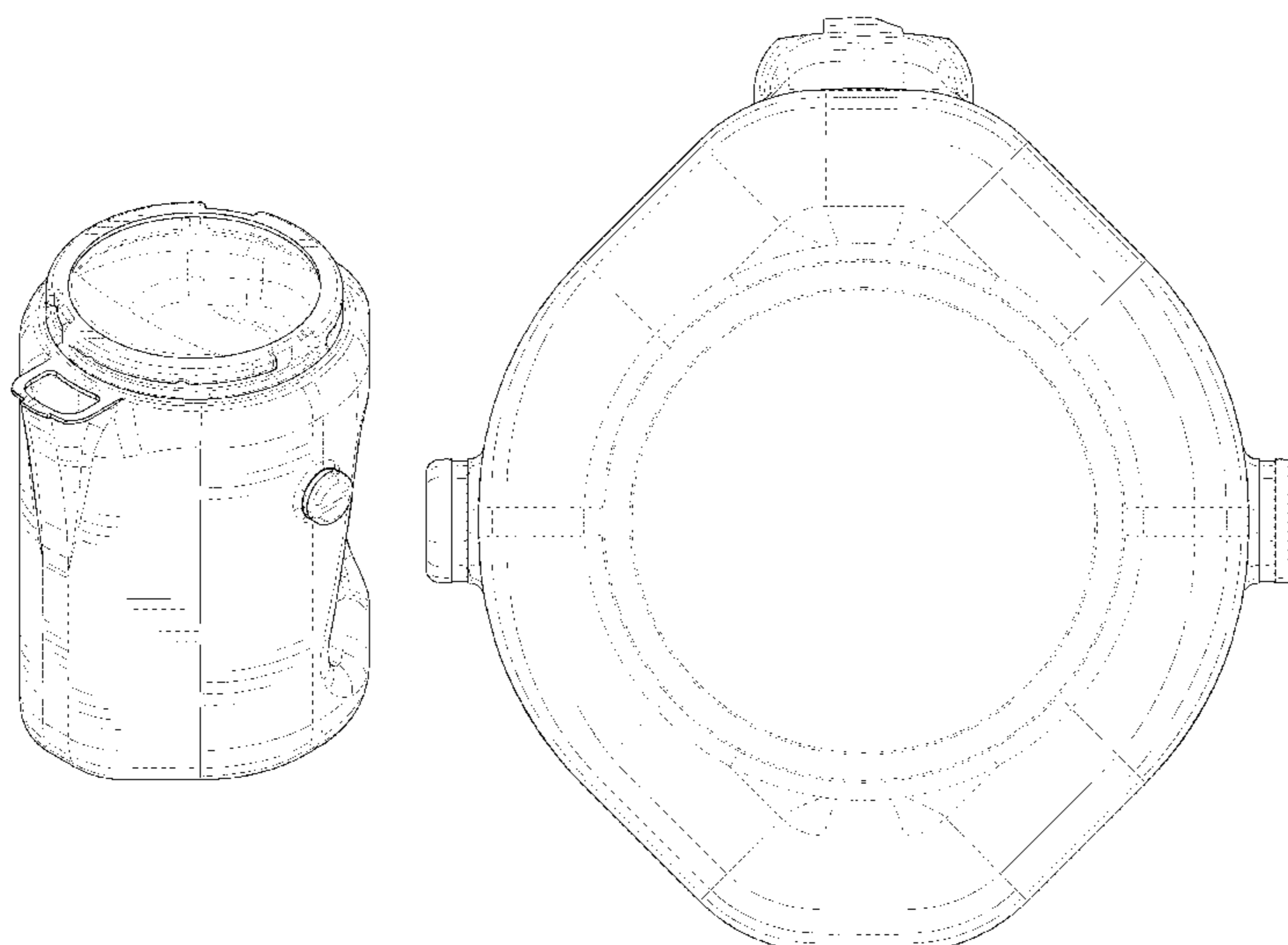
(56) **References Cited**

**U.S. PATENT DOCUMENTS**

D248,370 S \* 7/1978 Beekenkamp ..... D7/321  
D266,450 S \* 10/1982 Swett ..... D23/212  
D268,810 S \* 5/1983 Hartung ..... D9/524  
D269,303 S \* 6/1983 Goetz ..... D32/53  
D321,317 S \* 11/1991 Sherman ..... D9/524

The dash-dot-dash line in FIGS. 1 and 8 represents a boundary line between claimed and unclaimed surfaces. The entire surface enclosed by the curved boundary line and the broken line in FIGS. 1 and 8 forms no part of the claimed design.

**1 Claim, 8 Drawing Sheets**



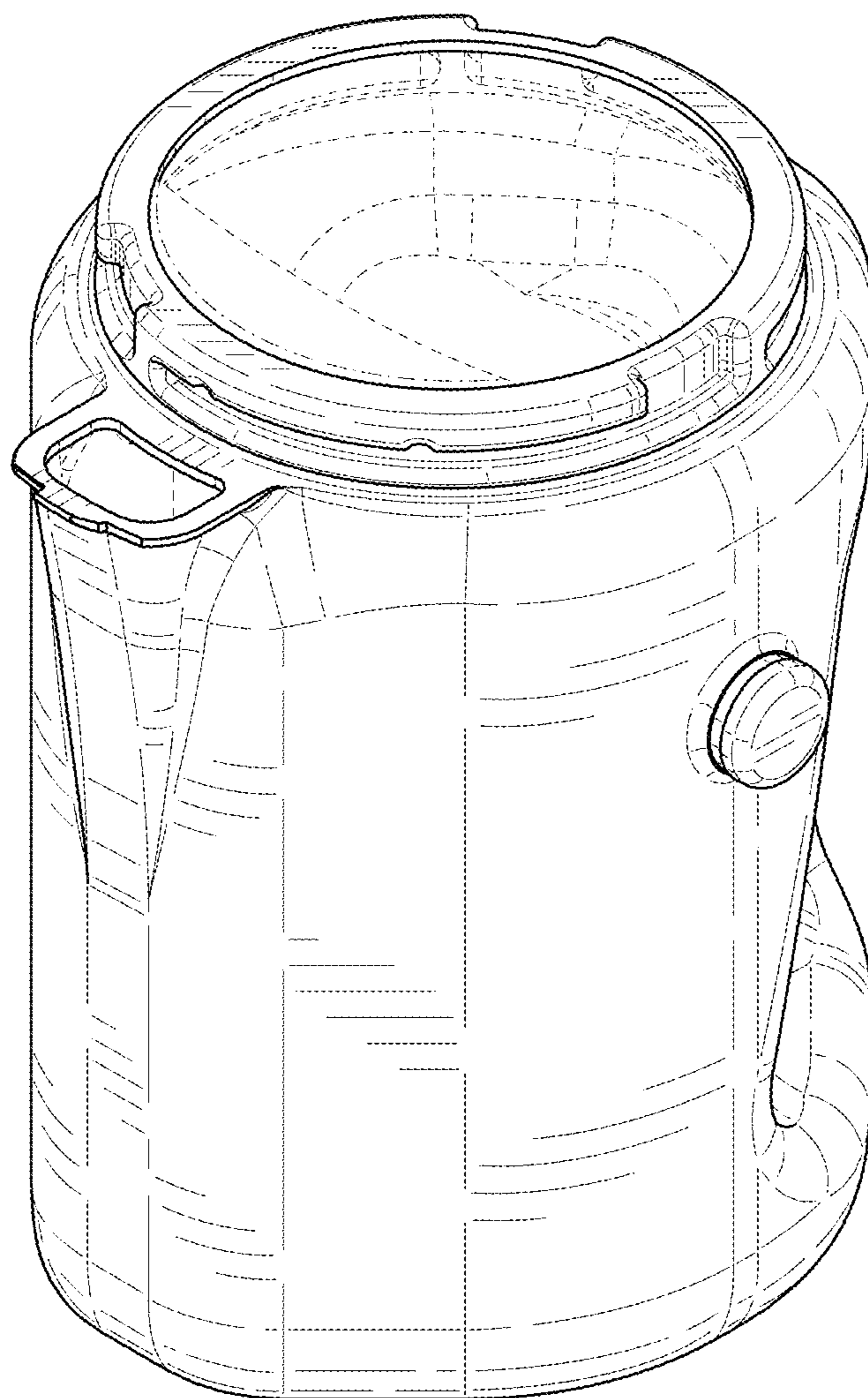
(56)

**References Cited**

U.S. PATENT DOCUMENTS

D370,153	S *	5/1996	Chaney .....	D7/503
5,549,216	A *	8/1996	Scholl .....	B44D 3/12
				220/695
5,564,525	A *	10/1996	Dunnegan .....	F01M 11/0458
				141/98
D378,494	S	3/1997	Miller	
5,669,526	A *	9/1997	Keyfauver .....	B44D 3/12
				206/508
5,727,708	A *	3/1998	Erickson .....	B44D 3/126
				206/514
D398,663	S *	9/1998	Freelander .....	D21/532
5,855,304	A	1/1999	Dean	
D431,472	S	10/2000	Cain	
D458,514	S *	6/2002	Dorion .....	D7/600
D460,845	S	7/2002	Bergman	
6,708,838	B2	3/2004	Bergman	
D505,076	S	5/2005	Logan	
D550,090	S *	9/2007	Meeker .....	D9/528
D563,229	S *	3/2008	Dowel .....	D9/524
D610,856	S *	3/2010	Hoffman .....	D7/306
7,703,641	B2 *	4/2010	Bravo .....	B44D 3/127
				215/305
D623,954	S	9/2010	Hawry	
D643,694	S *	8/2011	Lu .....	D7/629
D652,305	S *	1/2012	Yourist .....	D9/524
D653,548	S	2/2012	Wycoff	
D691,052	S	10/2013	Minghetti	
D728,298	S *	5/2015	Ma .....	D7/317
D749,948	S *	2/2016	Groglopo Favetto .....	D9/443
D751,913	S	3/2016	Seccof	
9,290,310	B2	3/2016	Sinn	
2007/0187413	A1	8/2007	Gruskin	

\* cited by examiner



**FIG. 1**

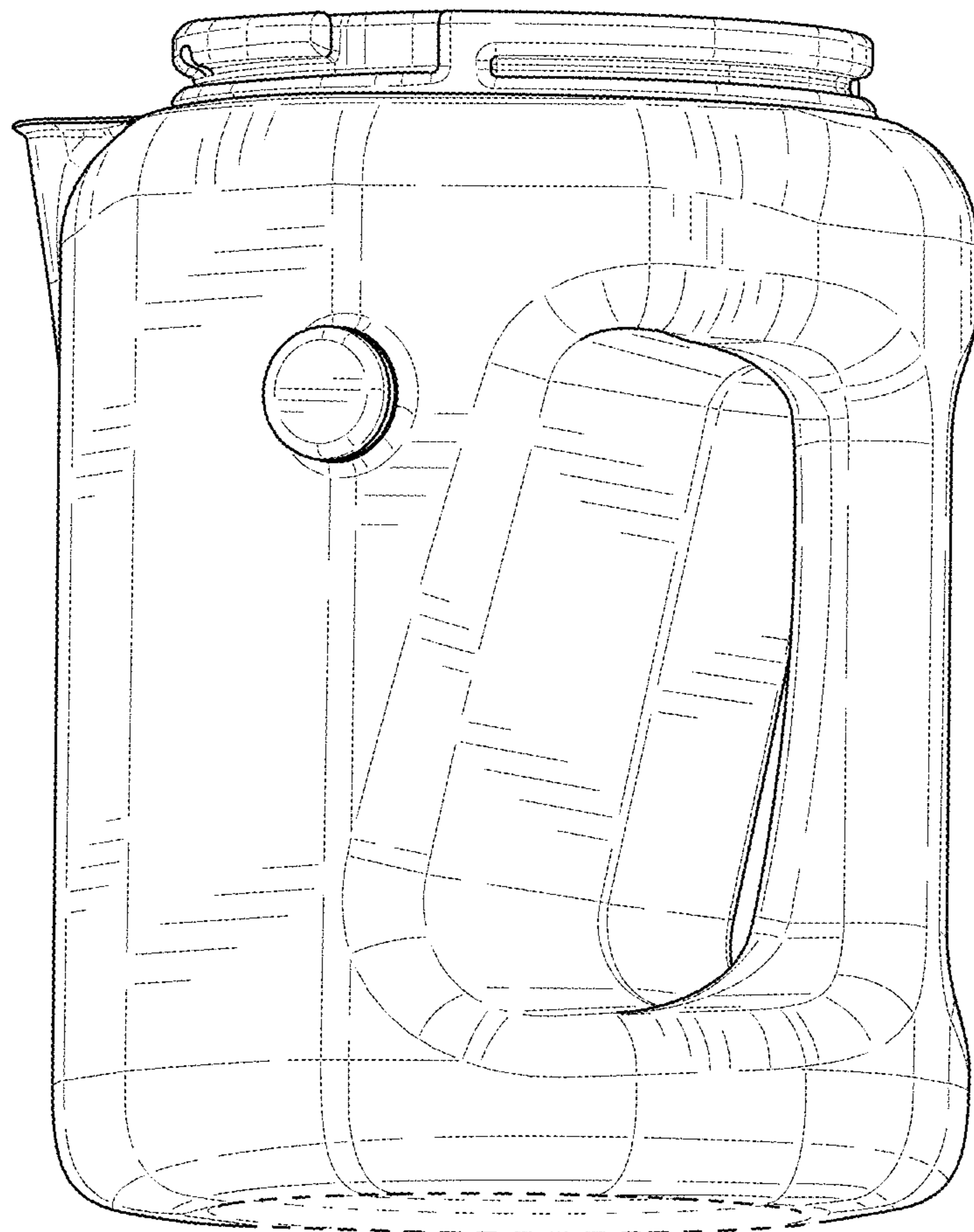
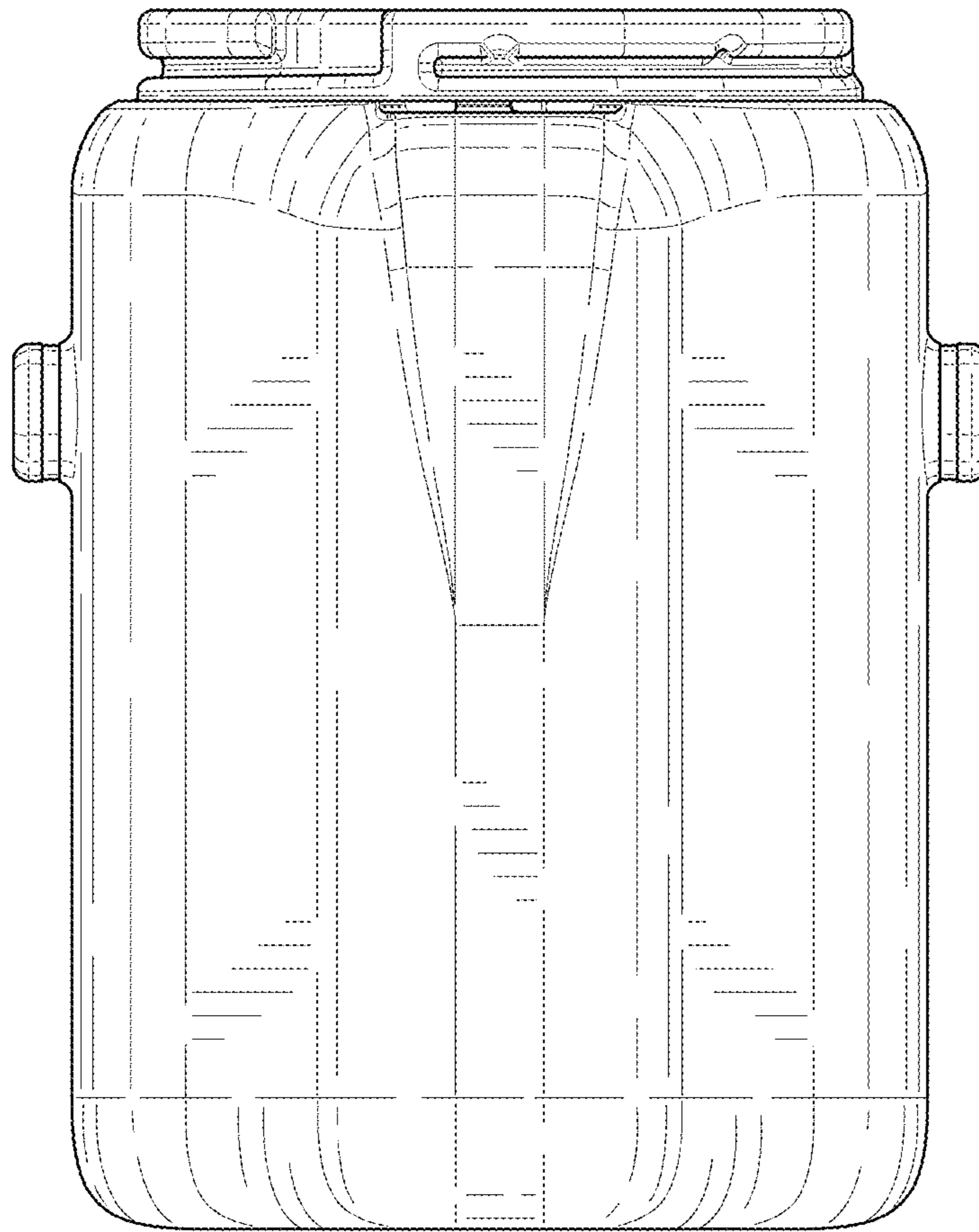
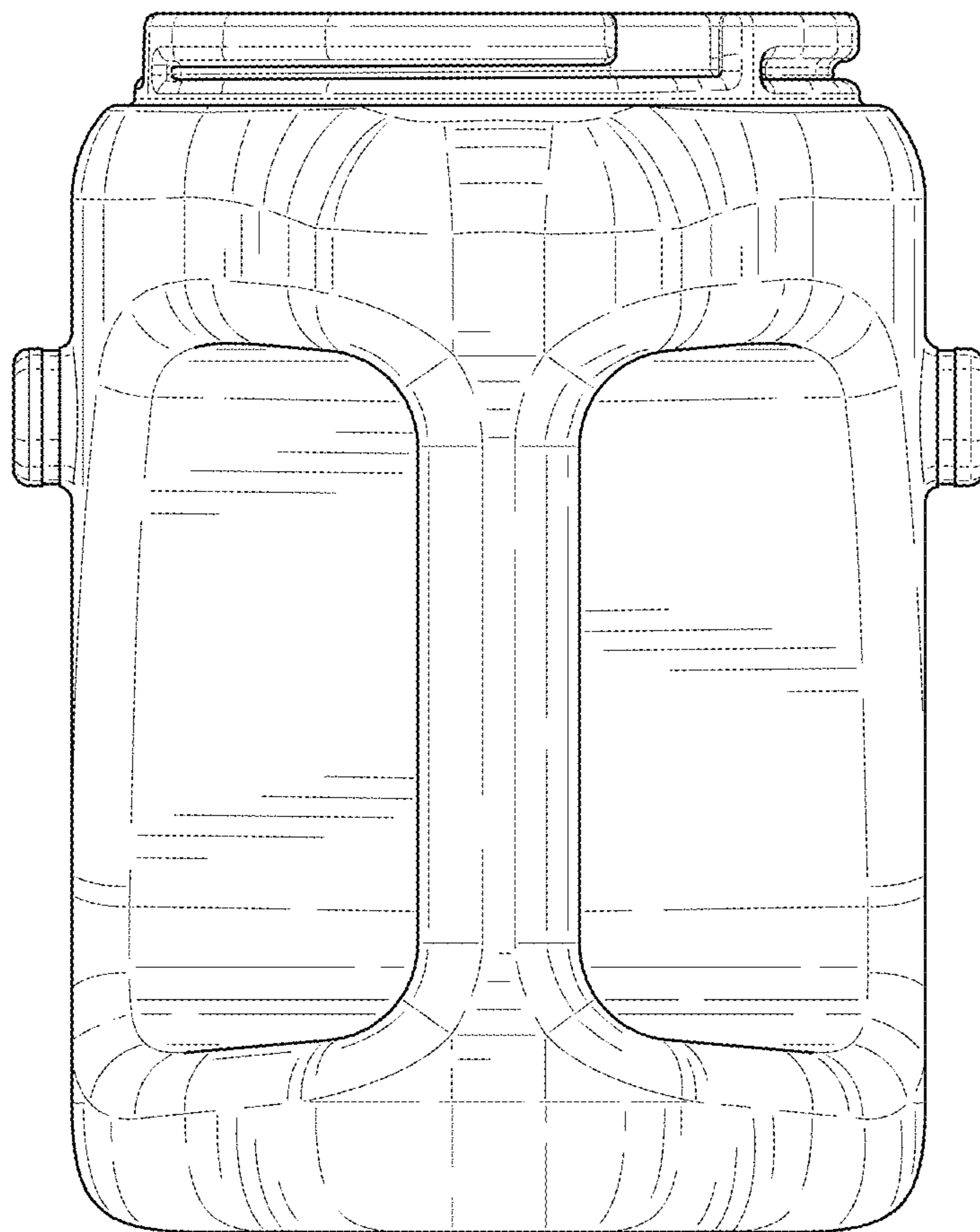


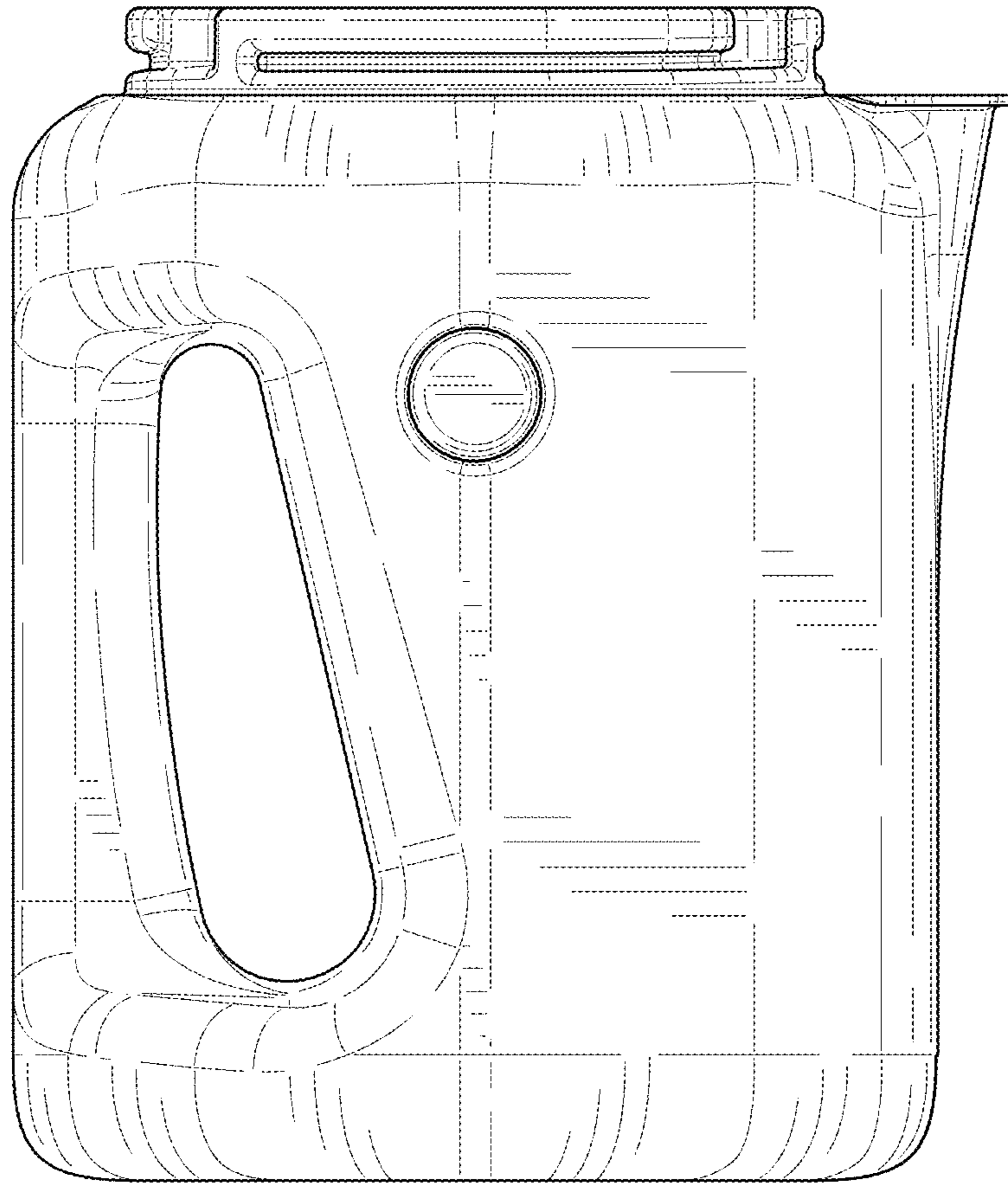
FIG. 2



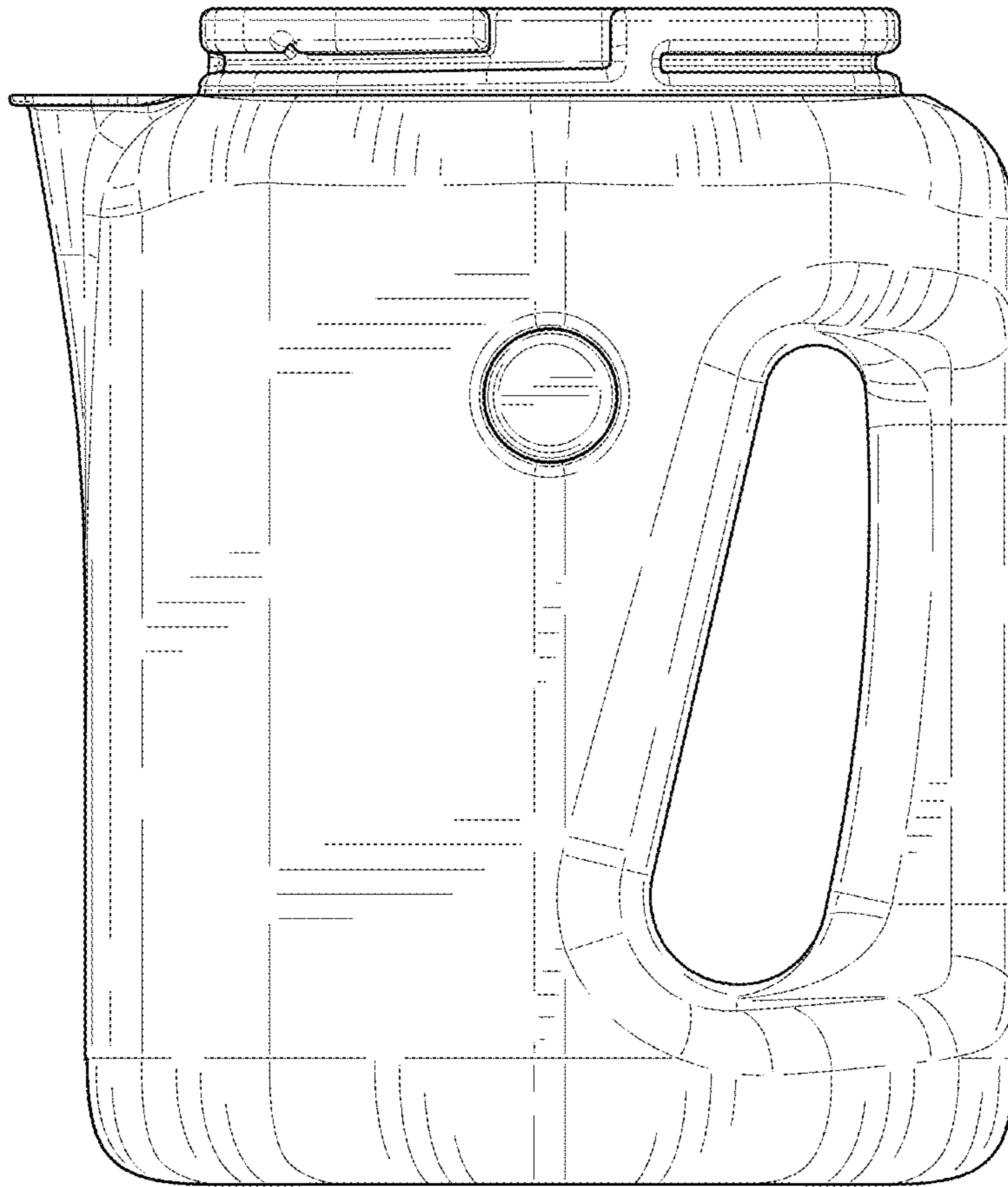
**FIG. 3**



**FIG. 4**

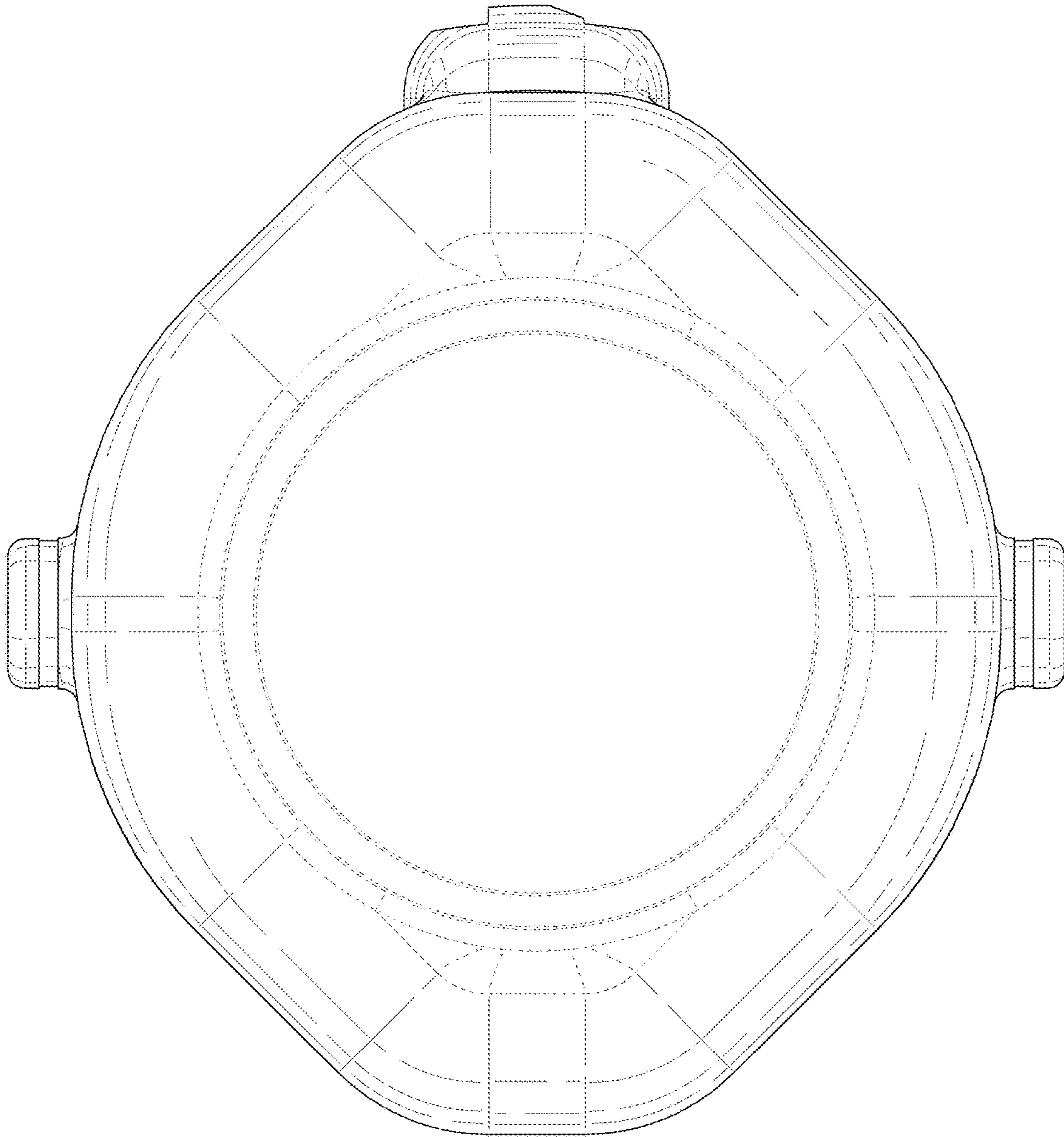


**FIG. 5**

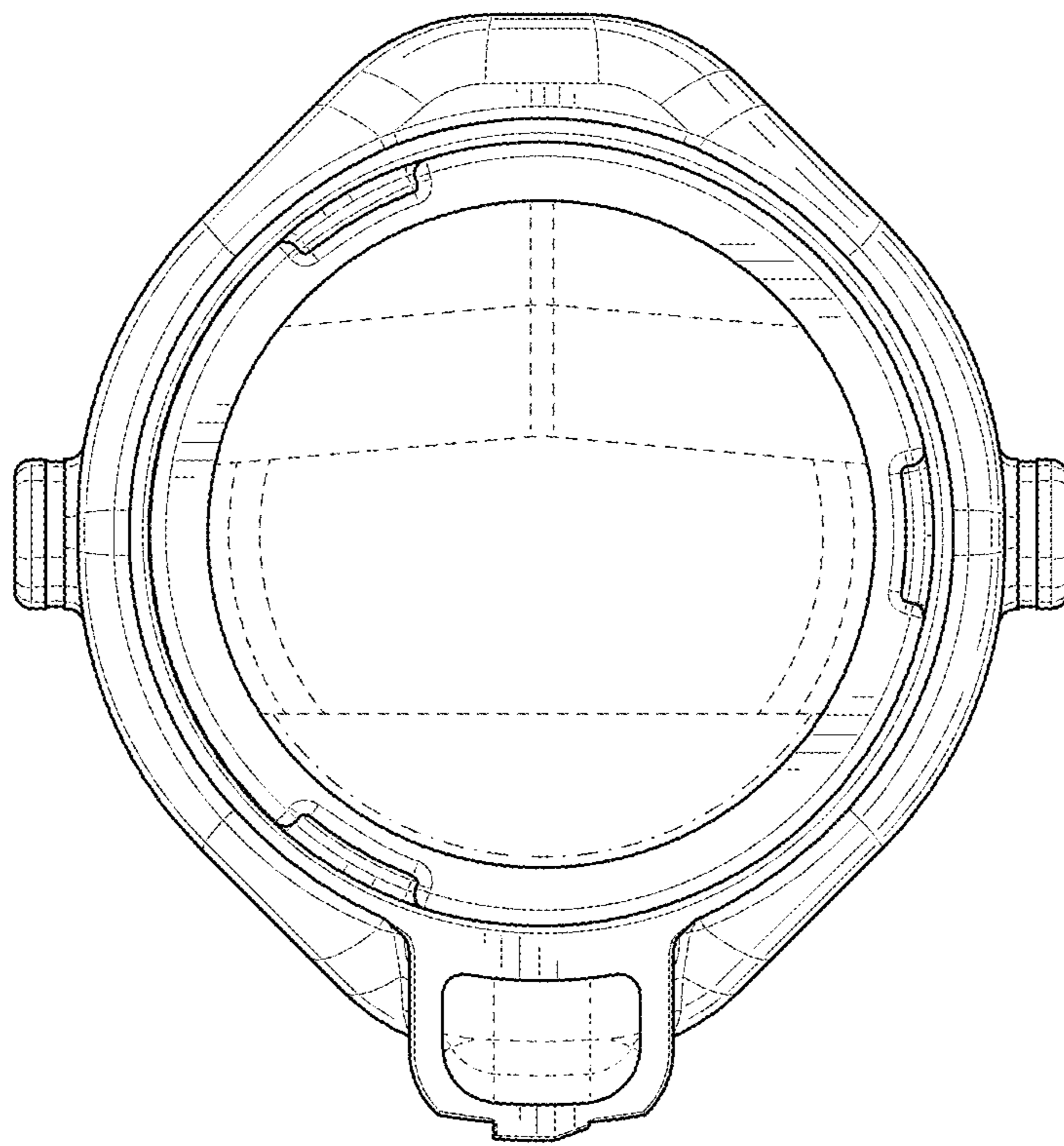


**FIG. 6**





**FIG. 7**



**FIG. 8**