



US00D818829S

(12) **United States Design Patent** (10) **Patent No.:** **US D818,829 S**  
**Dumortier et al.** (45) **Date of Patent:** **\*\* \*May 29, 2018**

(54) **BOTTLE**  
(71) Applicant: **ILLINOIS TOOL WORKS INC.**,  
Glenview, IL (US)  
(72) Inventors: **Eric Dumortier**, Antwerp (BE); **Steven Plomteux**, Antwerp (BE); **Klaus Lippert**, Ninove (BE); **Gino Janssens**, Ninove (BE)  
(73) Assignee: **ILLINOIS TOOL WORKS INC.**,  
Glenview, IL (US)  
(\* ) Notice: This patent is subject to a terminal disclaimer.  
(\*\*) Term: **15 Years**

D267,701 S 1/1983 Pardo et al.  
D281,578 S 12/1985 Reidel  
D282,635 S 2/1986 Beaver et al.  
D297,711 S \* 9/1988 Mednis ..... D9/523  
D321,322 S \* 11/1991 Fuchs ..... D9/523  
D329,018 S \* 9/1992 Granger ..... D9/523  
D349,056 S \* 7/1994 Jaramillo ..... D9/523  
D376,664 S \* 12/1996 Petruzzi ..... D26/47  
D380,681 S 7/1997 De Souza et al.  
D392,567 S 3/1998 Dumont et al.  
D398,240 S 9/1998 Willardson  
D416,803 S \* 11/1999 Voight ..... D9/523  
D430,032 S 8/2000 Feen  
D464,201 S \* 10/2002 Haas ..... D4/116  
D501,405 S 2/2005 Feen  
D508,855 S 8/2005 Hasler  
(Continued)

(21) Appl. No.: **29/567,856**  
(22) Filed: **Jun. 13, 2016**  
(51) **LOC (11) Cl.** ..... **09-01**  
(52) **U.S. Cl.**  
USPC ..... **D9/523**  
(58) **Field of Classification Search**  
USPC ..... D9/522, 530, 531, 543, 549, 558, 564,  
D9/565, 569, 572, 573; 215/40, 44, 200,  
215/381-384, 396; 220/288, 662, 669,  
220/675, 752, 755, 771; 222/182, 209;  
426/115  
CPC ..... B65D 1/02; B65D 1/0223; B65D 1/0246;  
B65D 5/46; B65D 41/00; B65D 41/02;  
B65D 41/04; B65D 2501/00; B65D  
2501/0009  
See application file for complete search history.

(56) **References Cited**  
U.S. PATENT DOCUMENTS  
D194,071 S \* 11/1962 Anderson et al. .... D9/523  
D213,766 S \* 4/1969 Weckman ..... D9/523  
D256,554 S 8/1980 Beaver

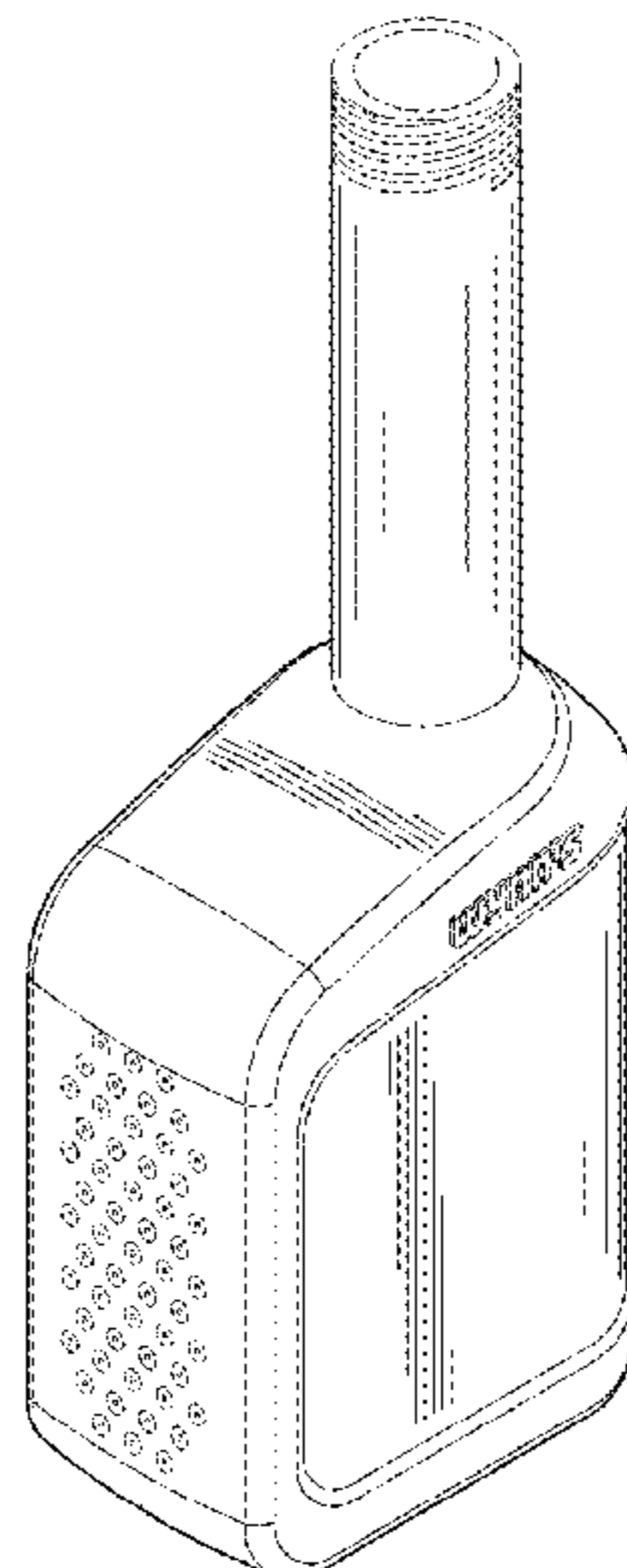
**OTHER PUBLICATIONS**  
Chevron Techron Concentrate Plus Fuel System Cleaner, announced Apr. 2006, [online], site visited Sep. 27, 2017. Available from Internet, URL: <http://www.amazon.com> (Year: 2006).\*

*Primary Examiner* — Derrick E Holland  
*Assistant Examiner* — Janice Julia Patyk  
(74) *Attorney, Agent, or Firm* — Avery N. Goldstein;  
Blue Filament Law PLLC.

(57) **CLAIM**  
The ornamental design for a bottle, as shown and described.

**DESCRIPTION**  
FIG. 1 is a front, top perspective view of a bottle, showing our new design;  
FIG. 2 is a left view of the bottle depicted in FIG. 1;  
FIG. 3 is a front view of the bottle depicted in FIG. 1;  
FIG. 4 is a rear view of the bottle depicted in FIG. 1;  
FIG. 5 is a top view of the bottle depicted in FIG. 1; and,  
FIG. 6 is a bottom view of the bottle depicted in FIG. 1.  
The broken lines in the figures illustrate the portions of the design that form no part of the claimed design.

**1 Claim, 2 Drawing Sheets**



(56)

**References Cited**

U.S. PATENT DOCUMENTS

D510,028 S	9/2005	Hasler	
D556,583 S	12/2007	Gurst et al.	
D576,884 S	9/2008	Feen	
D600,564 S *	9/2009	da Barp .....	D9/523
D626,001 S	10/2010	Laseak, Jr.	
D661,592 S	6/2012	McIntire et al.	

\* cited by examiner

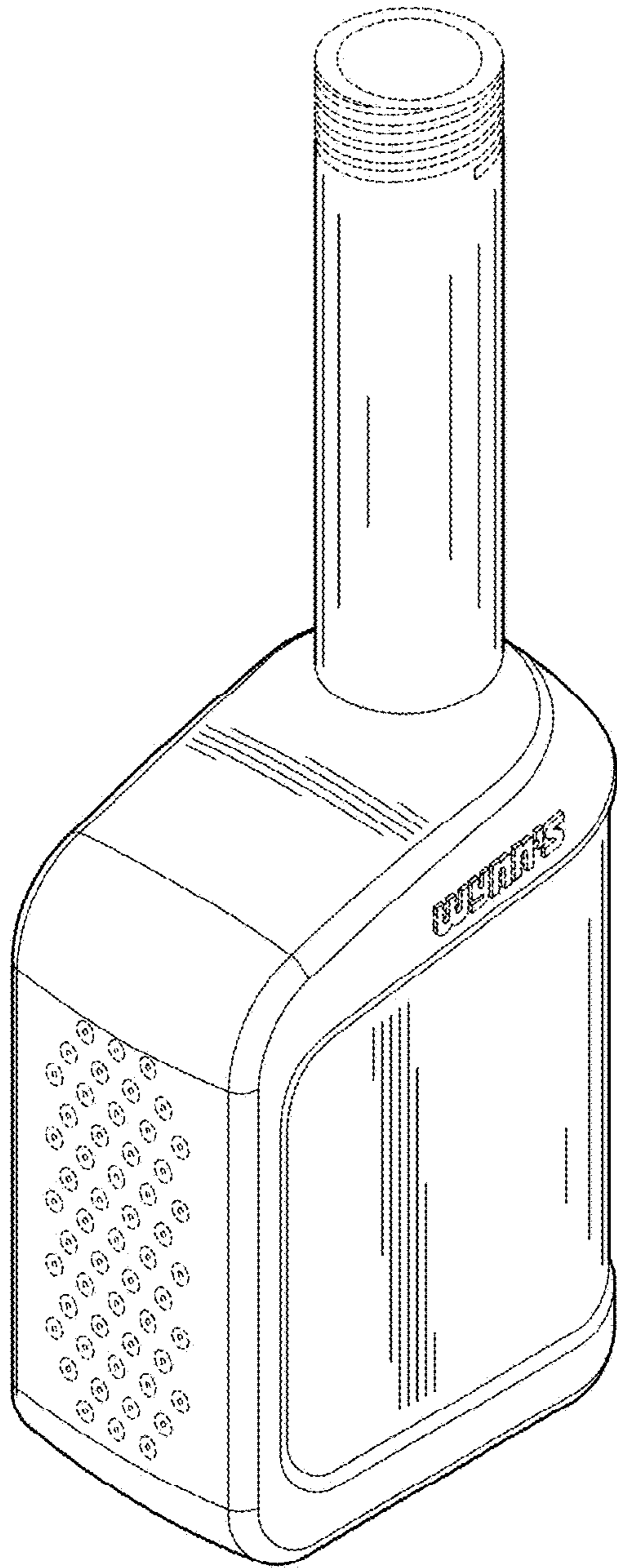


FIG. 1

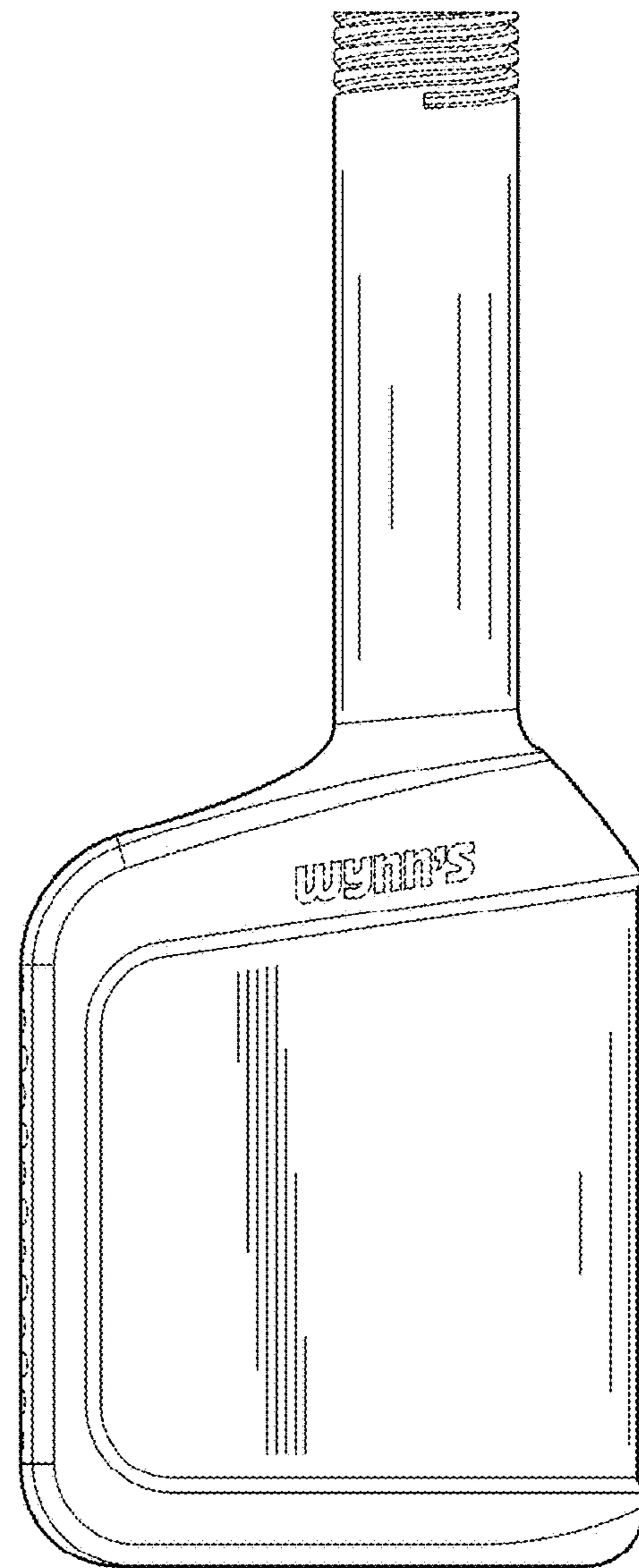


FIG. 2

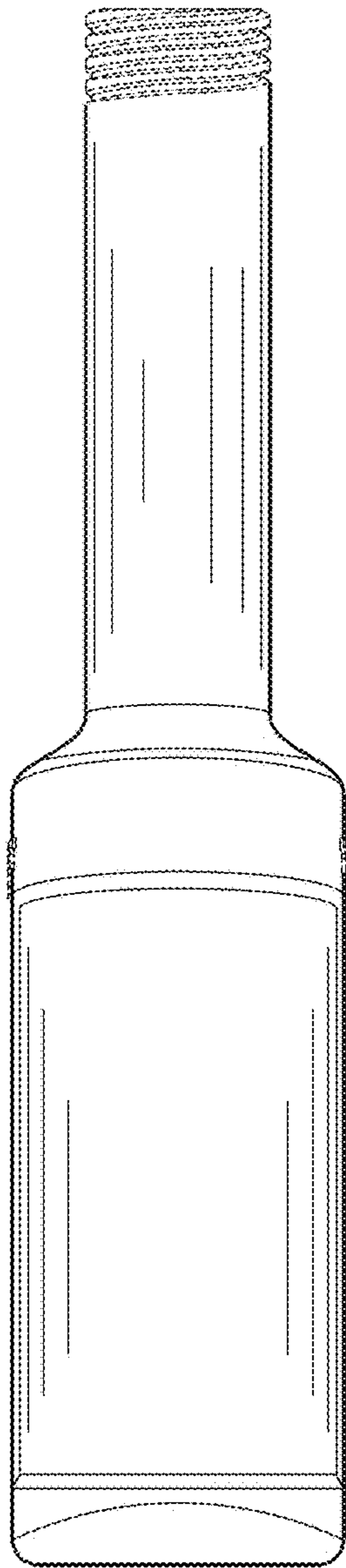


FIG. 3

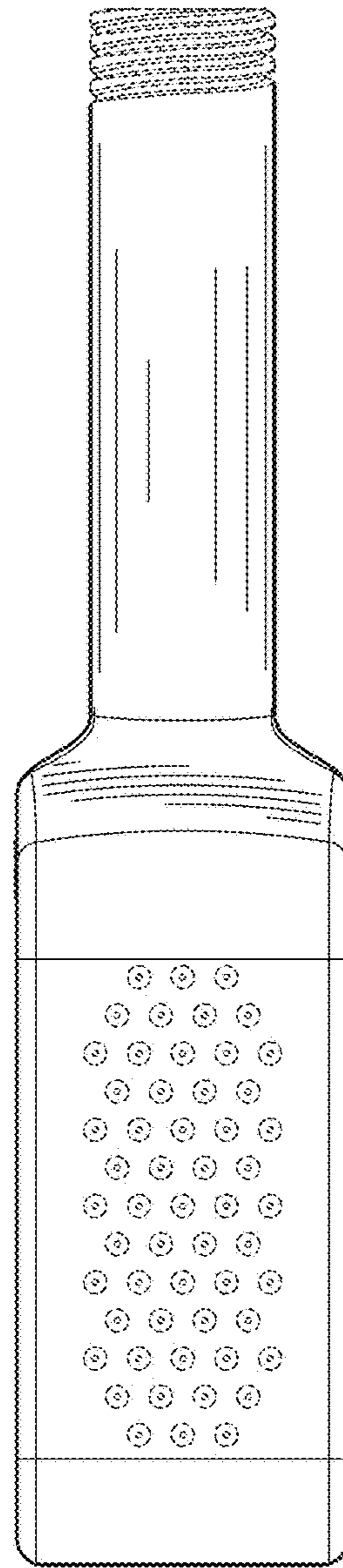


FIG. 4

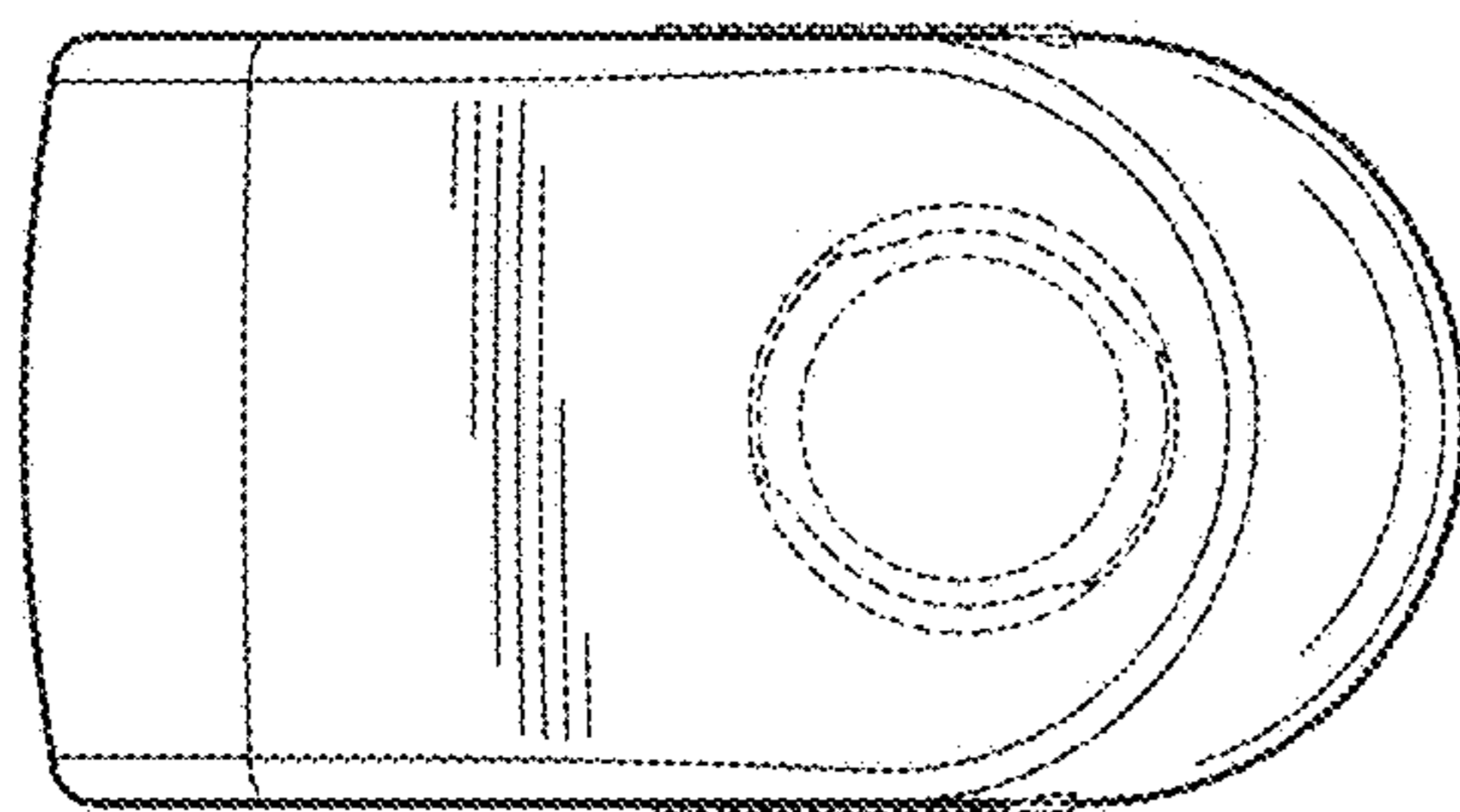


FIG. 5

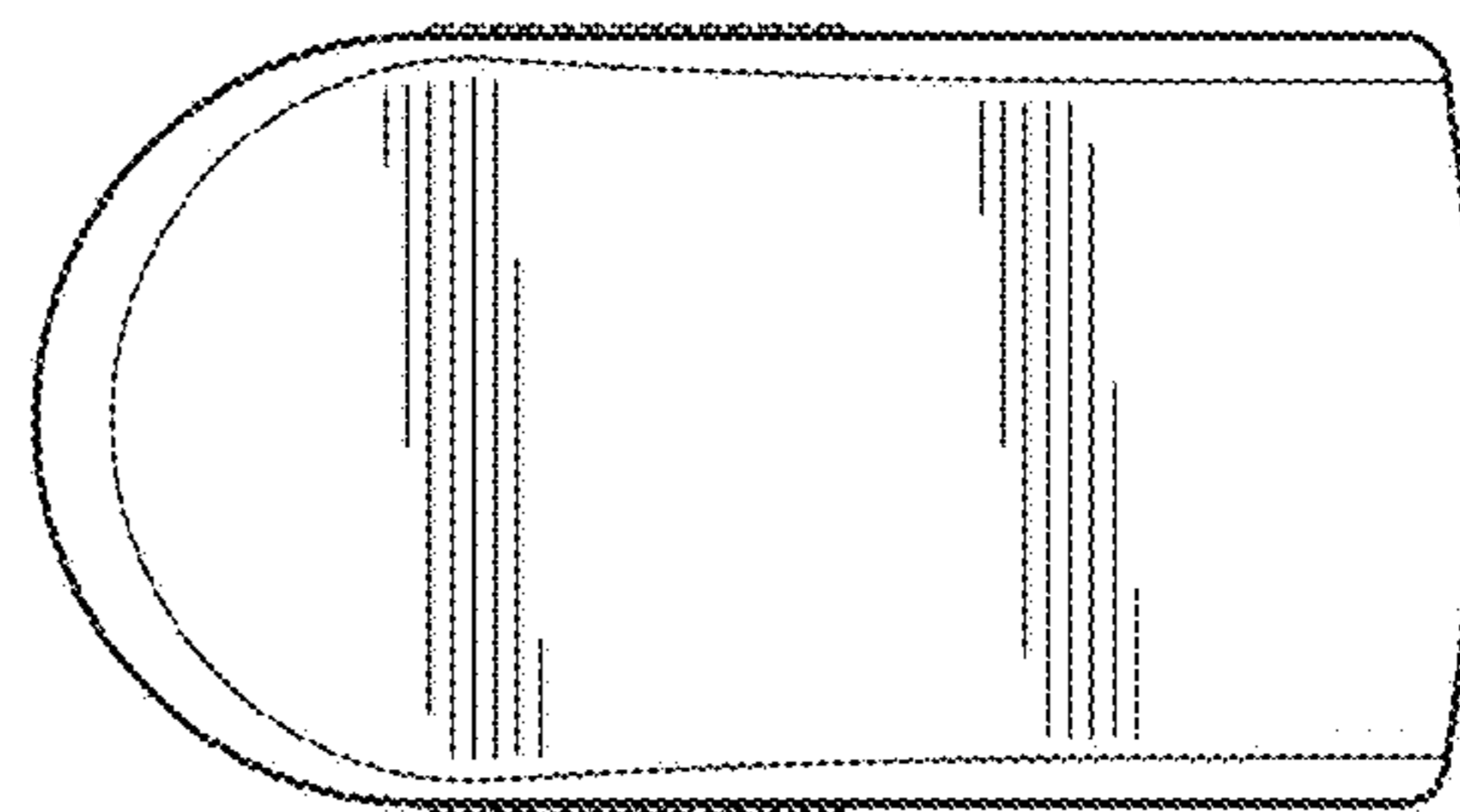


FIG. 6