



US00D818827S

(12) **United States Design Patent**  
**Berger et al.**

(10) **Patent No.:** **US D818,827 S**

(45) **Date of Patent:** **\*\* May 29, 2018**

(54) **LIQUID CONTAINER**

FOREIGN PATENT DOCUMENTS

(71) Applicant: **OMS INVESTMENTS, INC.**, Los Angeles, CA (US)

DE 3 121 591 3/1982  
DE 89 04 057 9/1989

(Continued)

(72) Inventors: **Ryan Robert Berger**, Columbus, OH (US); **Richard Foster**, Powell, OH (US); **Timothy Michael Martin**, Westerville, OH (US); **Sara Ann Gordon**, Powell, OH (US); **George William Hill, III**, Powell, OH (US); **Jay F. Perkins**, Pickerington, OH (US)

OTHER PUBLICATIONS

International Search Report and Written Opinion for International Application No. PCT/US06/26119, dated Jan. 5, 2007.

(Continued)

(73) Assignee: **OMS Investments, Inc.**, Los Angeles, CA (US)

*Primary Examiner* — Dana L Meyrow

(74) *Attorney, Agent, or Firm* — Ulmer & Berne LLP

(\*\*) Term: **15 Years**

(21) Appl. No.: **29/579,366**

(57) **CLAIM**

(22) Filed: **Sep. 29, 2016**

The ornamental design for a liquid container, as shown and described.

**Related U.S. Application Data**

(63) Continuation of application No. 29/537,264, filed on Aug. 24, 2015, now Pat. No. Des. 770,903, which is (Continued)

**DESCRIPTION**

(51) **LOC (11) Cl.** ..... **09-01**

(52) **U.S. Cl.**  
USPC ..... **D9/516; D9/543; D9/563; D9/571; D9/575**

(58) **Field of Classification Search**  
USPC ..... D9/516, 520, 523, 528, 530, 540–543, D9/549–550, 563–564, 569, 570–571,  
(Continued)

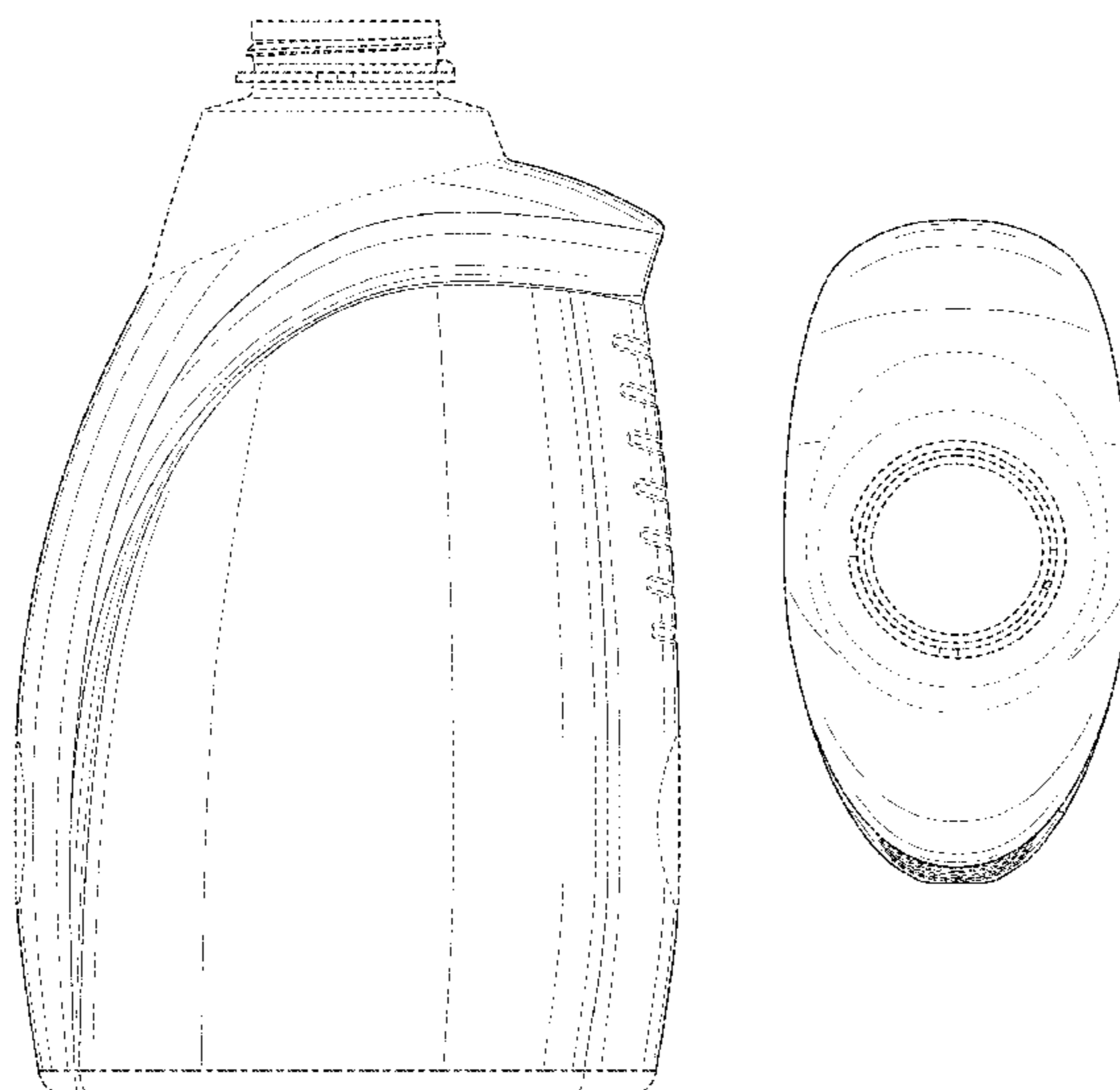
FIG. 1 is a top, front, left side perspective view of an embodiment of a liquid container showing our new design; FIG. 2 is a front elevation view thereof; FIG. 3 is a rear elevation view thereof; FIG. 4 is a left side elevation view thereof; FIG. 5 is a right side elevation view thereof; FIG. 6 is a top plan view thereof; FIG. 7 is a bottom plan view thereof; FIG. 8 is a top, rear, right side perspective view thereof; and, FIG. 9 is a bottom, front, left side perspective view thereof. The evenly-dashed broken lines in the drawings illustrate the portions of the liquid container that form no part of the claim. The dot-dash broken lines in the drawings define the bounds of the claim and form no part thereof.

(56) **References Cited**

U.S. PATENT DOCUMENTS

1,544,503 A 6/1925 Wayne  
D103,287 S 2/1937 Reynolds  
(Continued)

**1 Claim, 9 Drawing Sheets**



**Related U.S. Application Data**

a continuation of application No. 29/449,014, filed on Mar. 14, 2013, now Pat. No. Des. 761,116.

(58) **Field of Classification Search**

USPC ..... D9/575, 682, 685, 715, 719; D23/211.1, D23/211.2, 225; 215/379, 381-384; 220/660, 669, 675  
 CPC ..... B65D 1/00; B65D 1/02; B65D 1/0223; B65D 23/00; B65D 81/00; B65D 83/00; B65D 91/00; B65D 91/02; B65D 2501/00; B65D 2501/0009; B65D 2501/0081

See application file for complete search history.

(56) **References Cited**

U.S. PATENT DOCUMENTS

D103,520	S	3/1937	Smith	
2,673,664	A	3/1954	Boysen	
D201,214	S	5/1965	St. Claire	
3,185,358	A	5/1965	Marler	
3,233,783	A	2/1966	Thornton	
D209,474	S	12/1967	Stern	
D211,002	S	5/1968	Vanderhyde	
3,401,840	A	9/1968	McConnell	
3,655,099	A	4/1972	Hazard	
D244,991	S	7/1977	Weckman	
D250,393	S	11/1978	Shortino	
D256,431	S	8/1980	Campbell et al.	
D259,331	S	5/1981	Saenz	
D287,227	S	12/1986	Turnbull	
4,664,301	A	5/1987	Hoyt	
4,811,870	A	3/1989	Bianco	
D314,140	S	* 1/1991	Kornick	D7/319
D314,141	S	* 1/1991	Kornick	D9/443
D321,321	S	11/1991	Wilgus	
D328,422	S	8/1992	Fuchs	
5,203,468	A	4/1993	Hsu	
5,203,486	A	4/1993	Bihler et al.	
5,205,424	A	4/1993	Gaspar	
D342,451	S	12/1993	Warner	
5,277,343	A	1/1994	Parsonage	
D347,790	S	6/1994	Lathrop et al.	
D388,330	S	12/1997	Zimmer	
5,890,628	A	4/1999	Simpson et al.	
D415,687	S	10/1999	Lai	
5,996,858	A	12/1999	Tapp	
D419,455	S	1/2000	Macauley et al.	
D430,801	S	12/2000	Harrity	
6,279,773	B1	8/2001	Kiyota	
D452,446	S	12/2001	Shear	
D462,011	S	8/2002	Walther et al.	
D466,815	S	12/2002	Sweeton	
D470,416	S	2/2003	Blair	
D470,418	S	2/2003	Zaksenberg et al.	
D470,775	S	2/2003	Zaksenberg et al.	
D480,005	S	9/2003	Conway	
D481,637	S	11/2003	Desouza	
D482,285	S	11/2003	Desouza	
D485,187	S	1/2004	Stinedurf	
D487,873	S	3/2004	Desouza	
D508,206	S	8/2005	Meeker et al.	
D508,407	S	8/2005	Busch et al.	

D510,869	S	10/2005	Gross	
D547,198	S	7/2007	Eaton	
D555,481	S	11/2007	Tseng	
D557,608	S	12/2007	Feen	
D565,424	S	4/2008	Moriya	
D568,748	S	5/2008	Harrison et al.	
D572,138	S	7/2008	Prater	
D576,885	S	9/2008	Briozzo Fernandez	
D587,585	S	3/2009	Snyder	
D589,349	S	3/2009	Prater	
D593,863	S	6/2009	Fahy	
D594,338	S	6/2009	Harrison et al.	
D600,564	S	9/2009	de Barp	
D601,907	S	10/2009	Gainey	
D604,618	S	11/2009	King	
D605,520	S	12/2009	Billig	
D606,411	S	12/2009	Mongeon	
D617,206	S	6/2010	Shaw	
D618,554	S	6/2010	Bruscha	
D619,465	S	7/2010	Synder	
D628,493	S	12/2010	Fontaine	
D633,807	S	3/2011	Fahy	
D646,572	S	10/2011	Koeleman	
D660,710	S	5/2012	Kallenbach	
D661,593	S	6/2012	Heidel	
D662,420	S	6/2012	Frisch	
D663,626	S	7/2012	Berger	
D683,224	S	5/2013	Leslie et al.	
D684,061	S	6/2013	Leslie et al.	
D685,642	S	7/2013	Leslie et al.	
D691,053	S	10/2013	Garcia	
D696,128	S	12/2013	Lindsay et al.	
D714,648	S	10/2014	Kersten	
D740,673	S	10/2015	Corradini	
D748,483	S	2/2016	Snyder	
D753,496	S	* 4/2016	Dietvorst	D9/449
D753,497	S	4/2016	Dietvorst	
D753,498	S	4/2016	Dietvorst	
D753,499	S	4/2016	Dietvorst	
D761,116	S	* 7/2016	Berger	D9/563
D770,903	S	* 11/2016	Berger	D9/563
D792,778	S	* 7/2017	Duke	D9/541
2005/0184027	A1	8/2005	Floyd	

FOREIGN PATENT DOCUMENTS

EP	0 395 380	10/1990
EP	0 591 601	4/1994
FR	966 601	10/1950
FR	2 513 598	4/1983
FR	2 574 760	6/1986
FR	2 708 569	2/1995
GB	677 401	8/1952
GB	798 158	7/1957
GB	1 305 055	1/1973
GB	1 602 199	11/1981
GB	2 286 109	9/1995

OTHER PUBLICATIONS

Supplemental European Search Report and Written Opinion for European Application No. 06 77 4502, dated Jul. 23, 2009.  
 Preliminary French Search Report for French Application No. FR 19930009764 dated Apr. 7, 1994.

\* cited by examiner

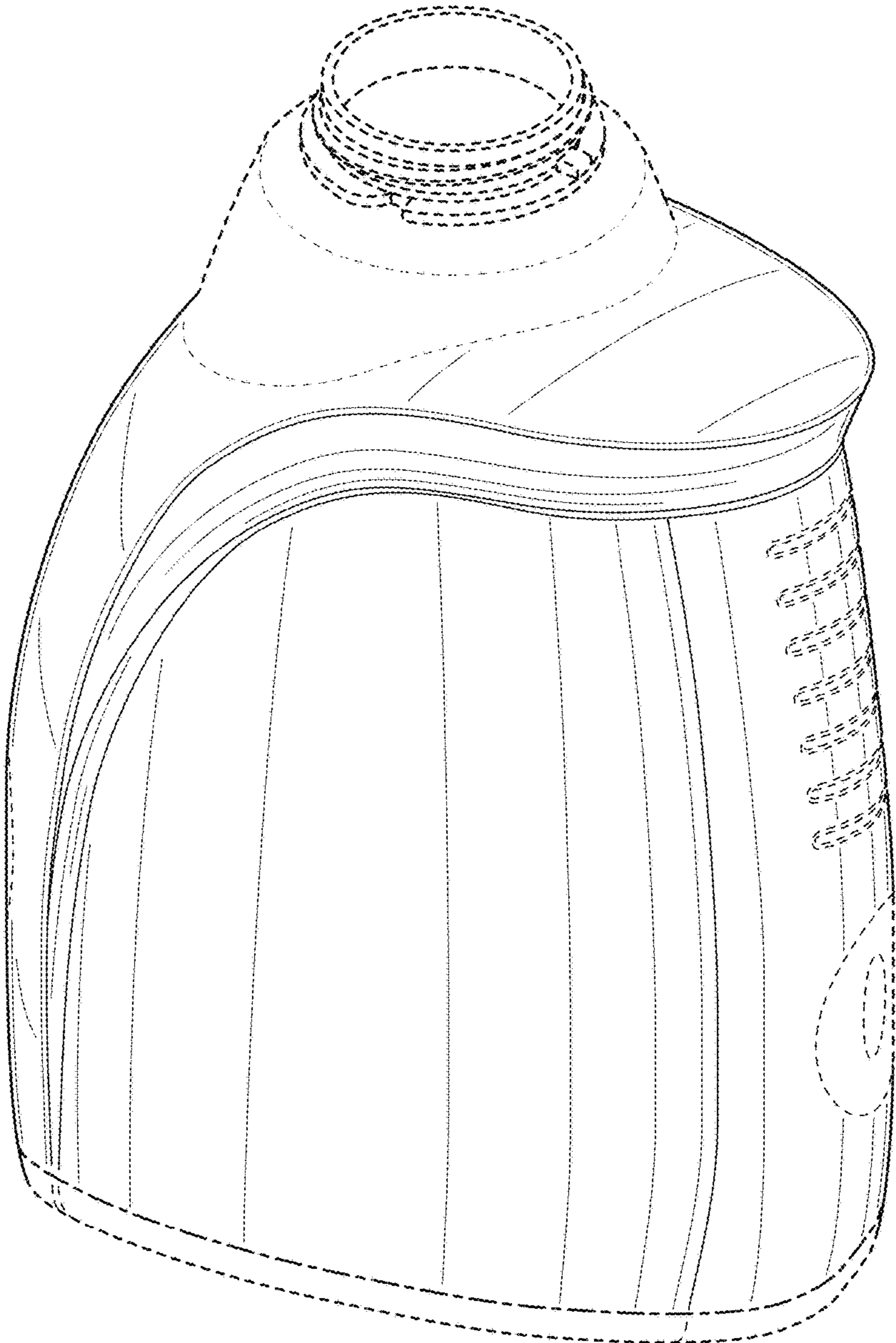


FIG. 1



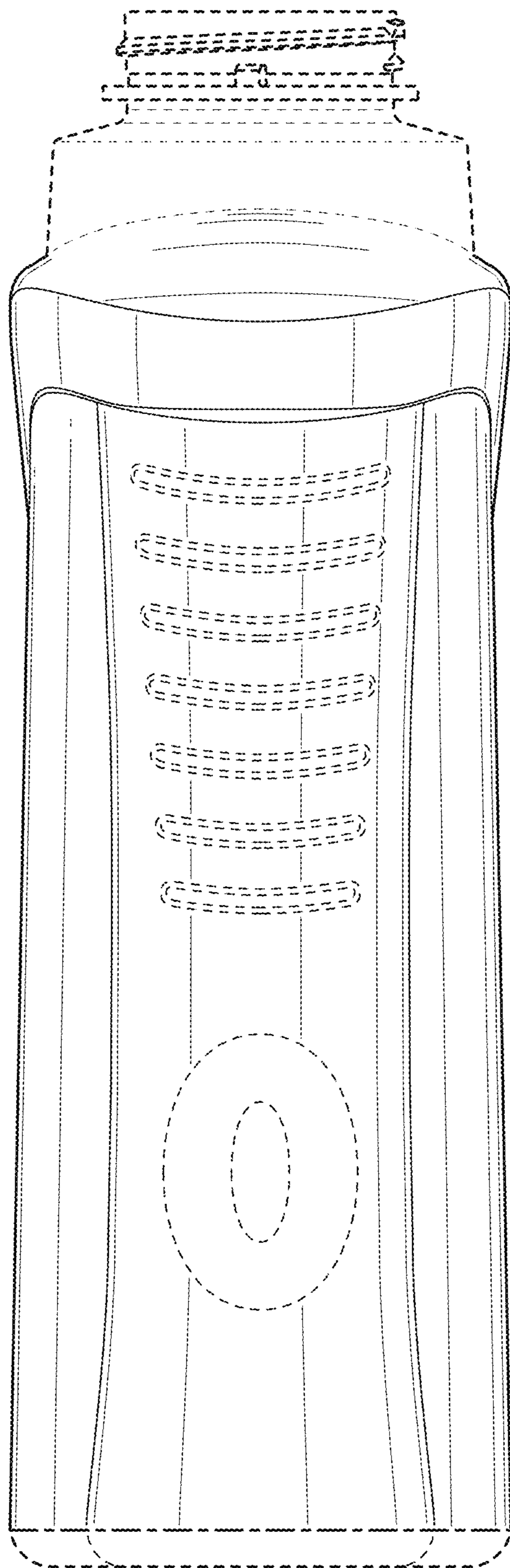


FIG. 2

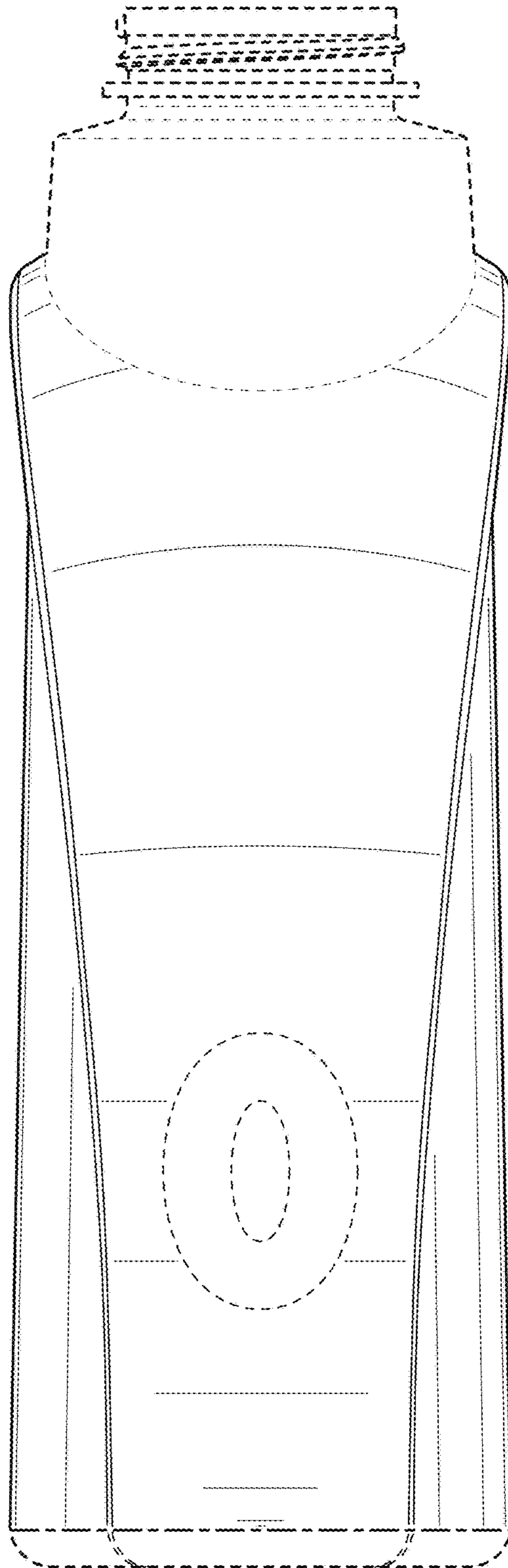


FIG. 3

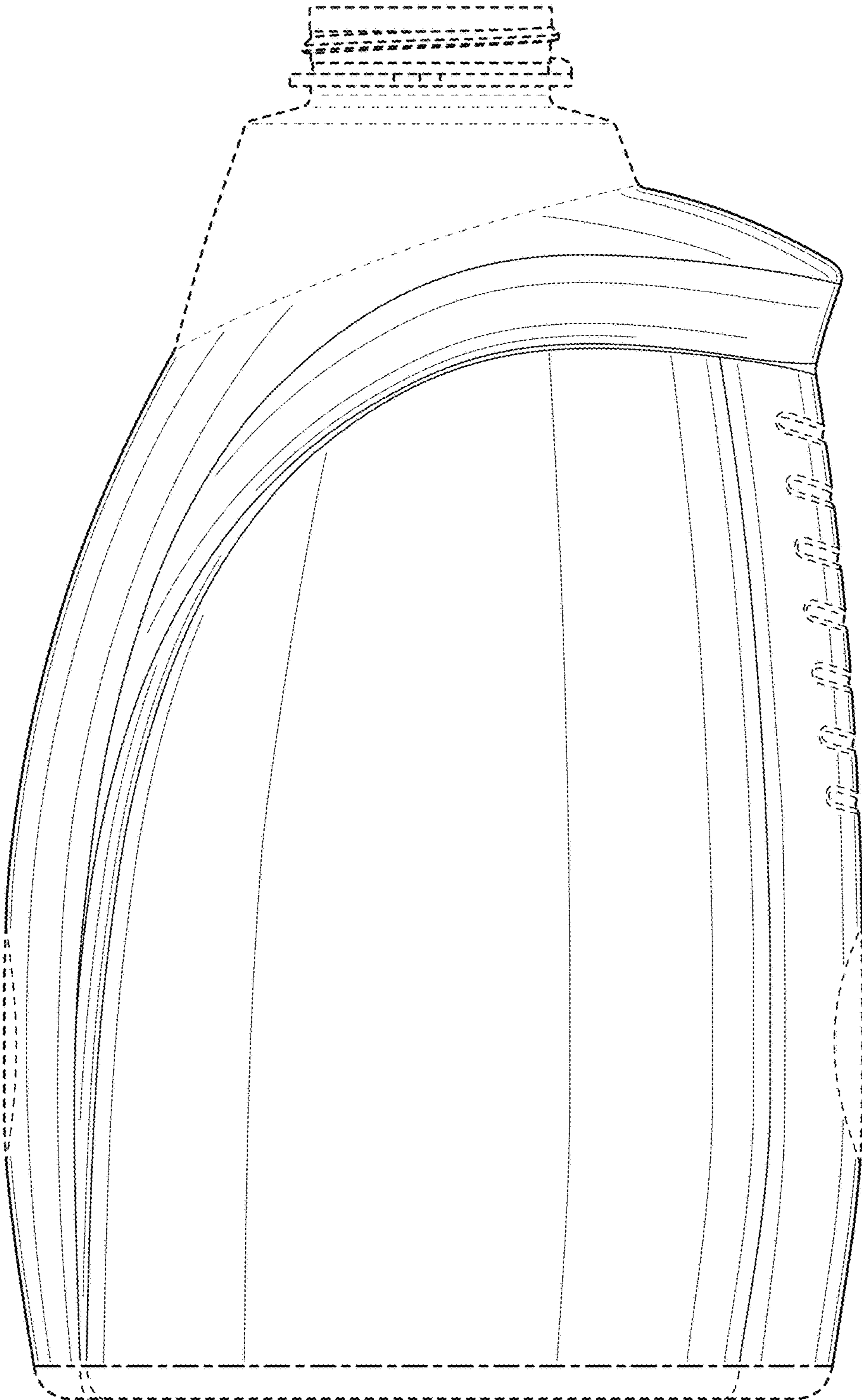


FIG. 4

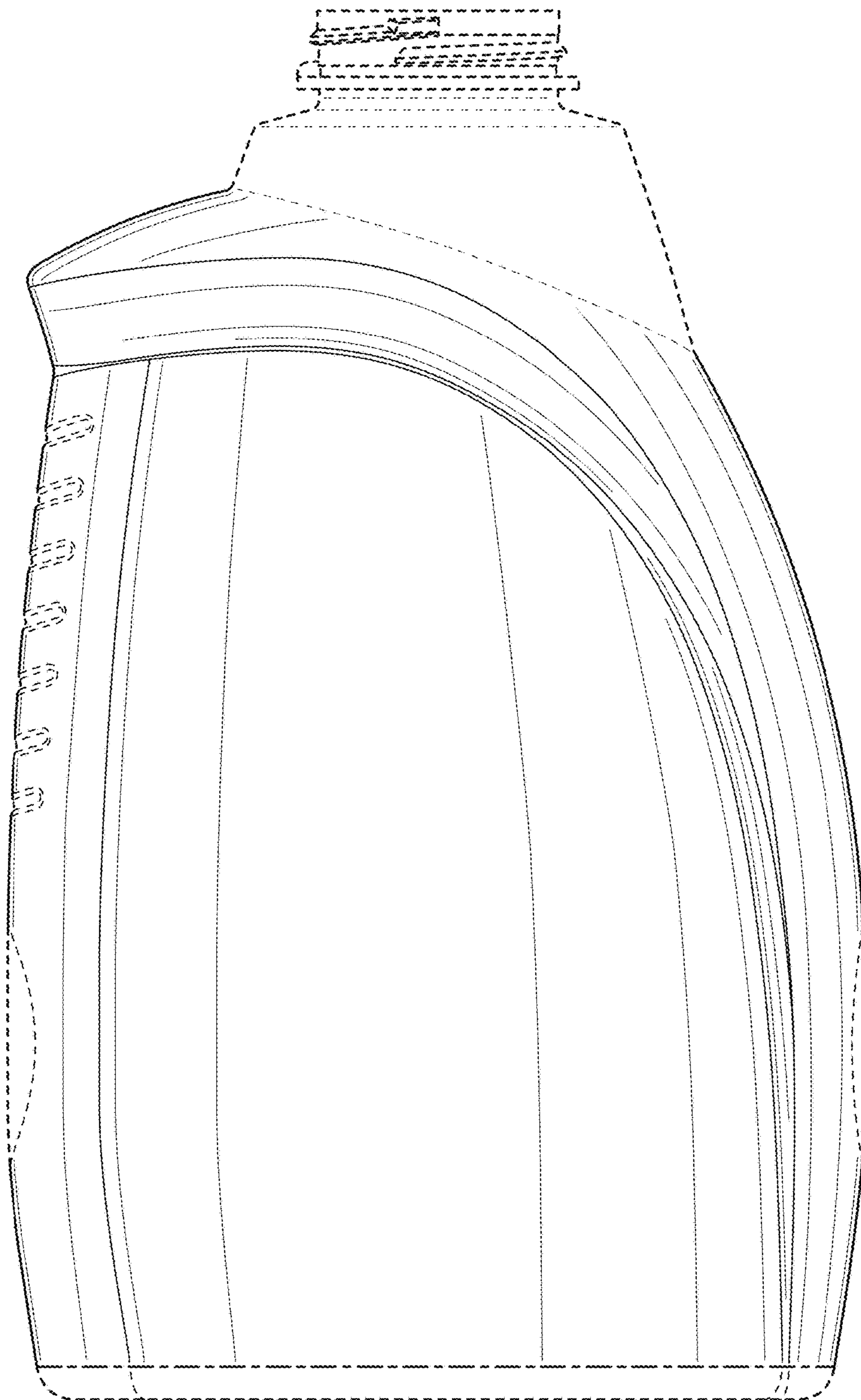


FIG. 5

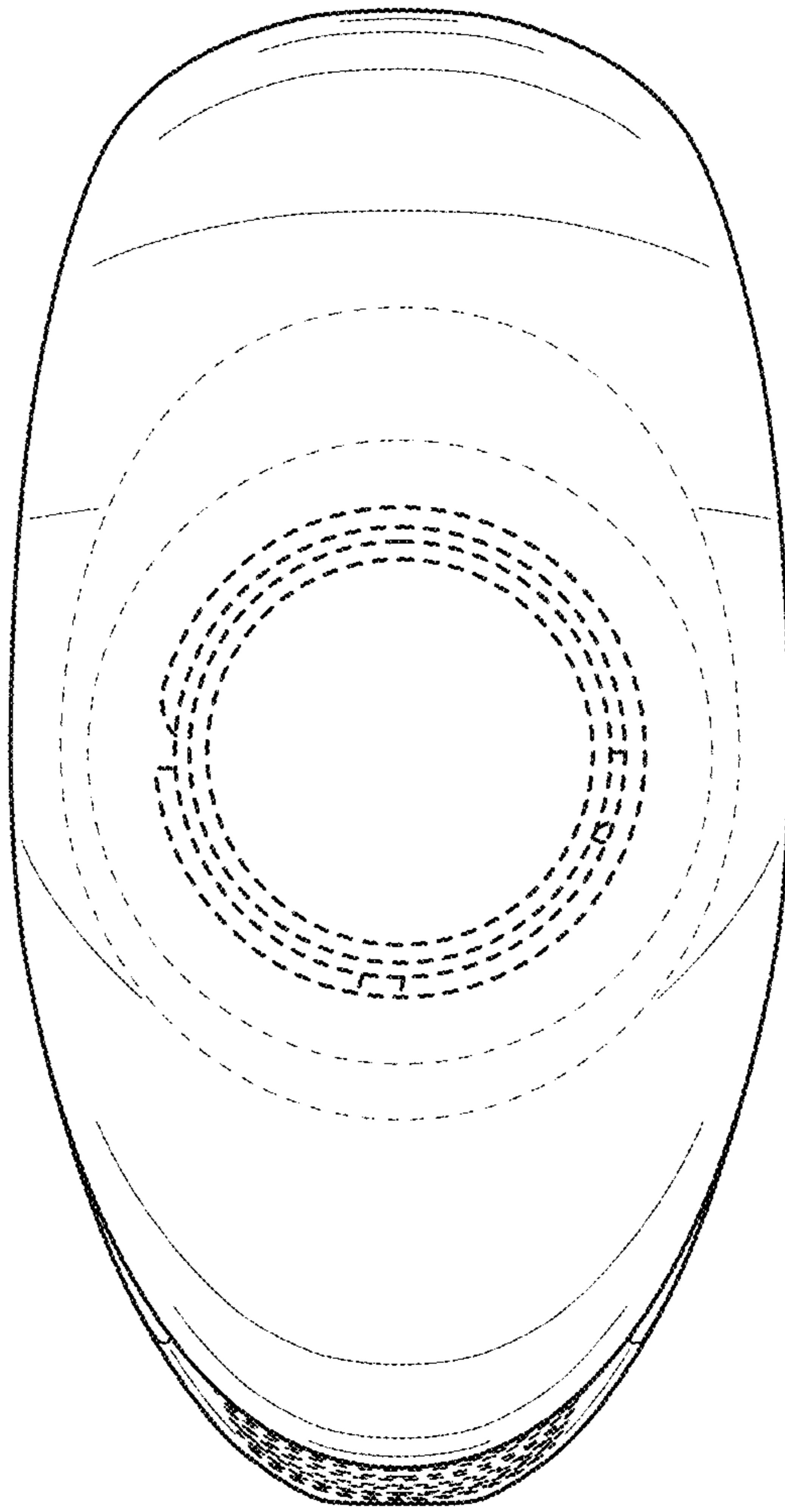


FIG. 6



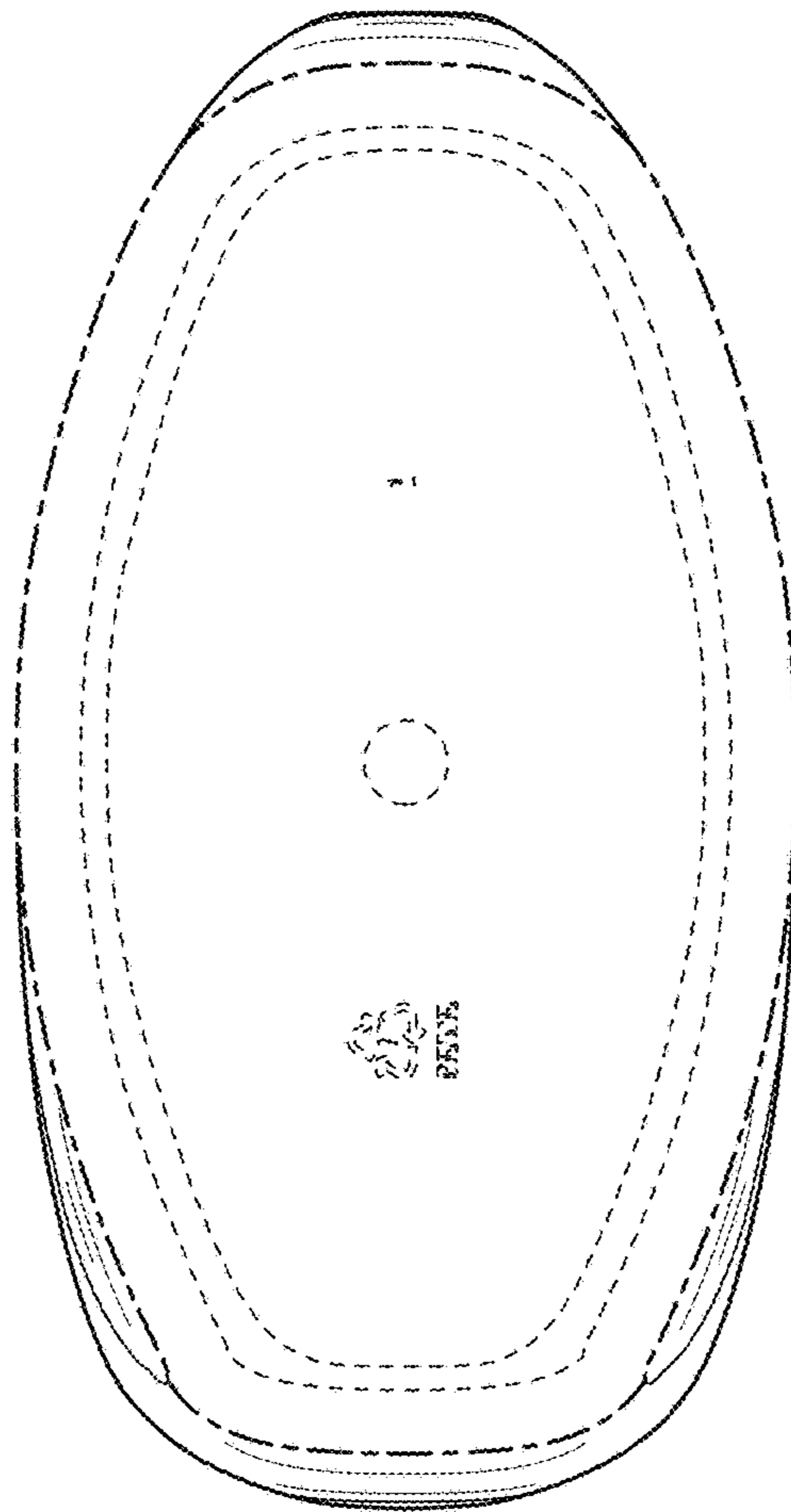


FIG. 7

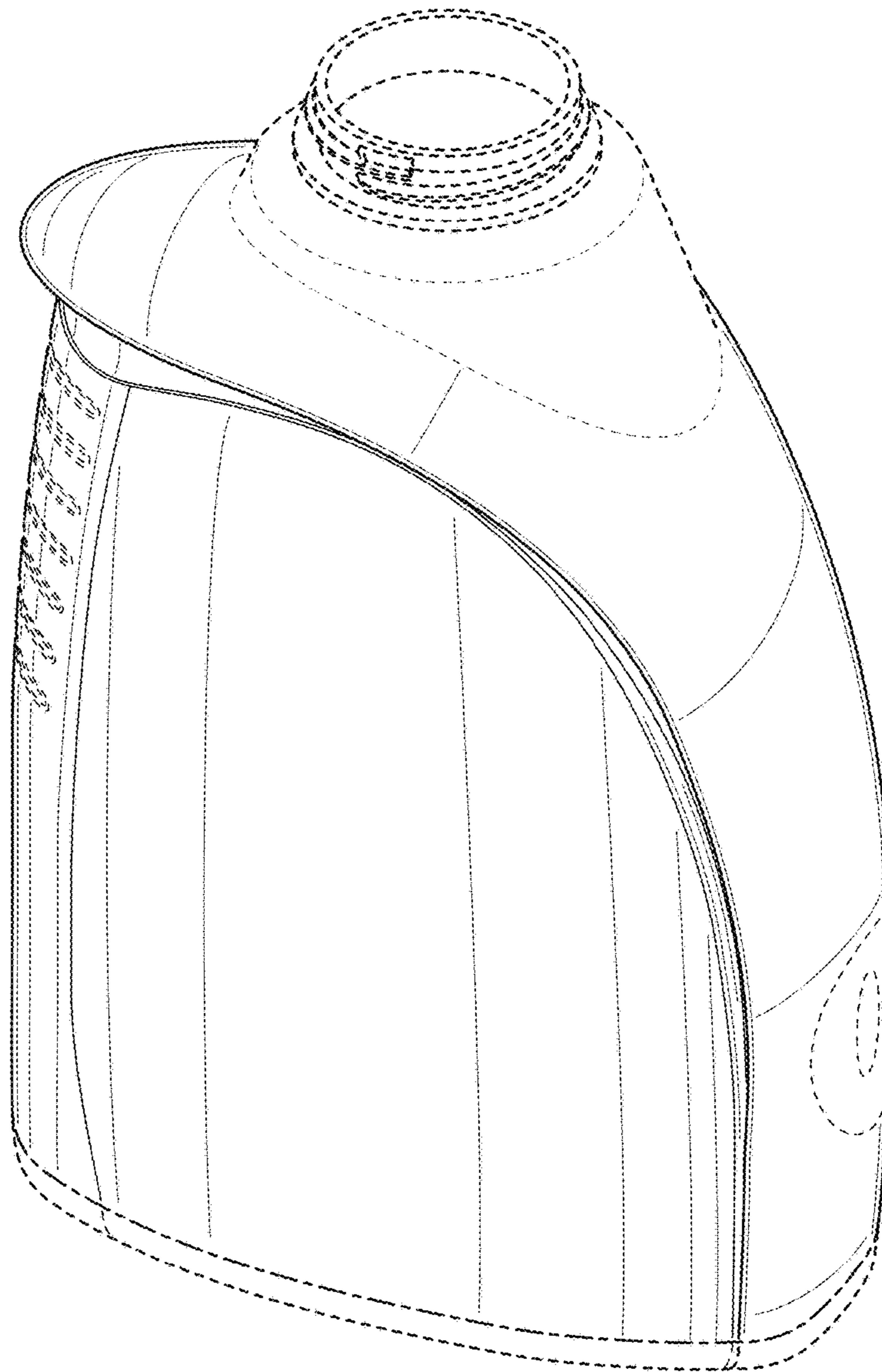


FIG. 8

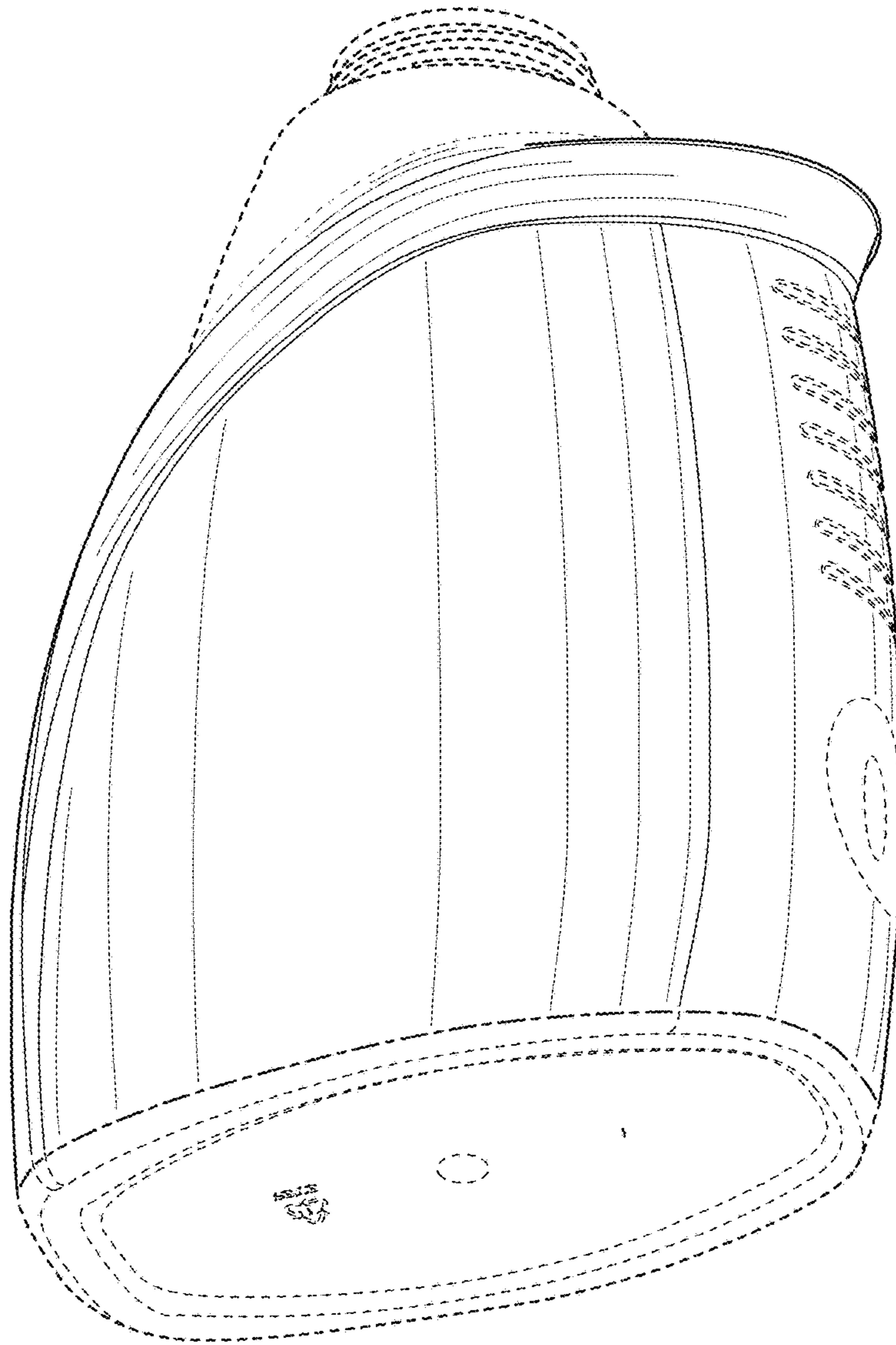


FIG. 9