



US00D818825S

(12) **United States Design Patent**
Paredes et al.

(10) **Patent No.:** **US D818,825 S**
(45) **Date of Patent:** **** May 29, 2018**

(54) **BOTTLE**

FOREIGN PATENT DOCUMENTS

(71) Applicant: **Owens-Brockway Glass Container Inc.**, Perrysburg, OH (US)

EH 000887583-0002 * 2/2008
EM 000289905-0001 5/2005

(Continued)

(72) Inventors: **Raul M. Paredes**, Perrysburg, OH (US); **Douglas Laib**, Perrysburg, OH (US); **Mindy Paige**, Wauseon, OH (US)

Primary Examiner — Dana L Meyrow

(57) **CLAIM**

We claim an ornamental design for a bottle, as shown and described.

(73) Assignee: **Owens-Brockway Glass Container Inc.**, Perrysburg, OH (US)

DESCRIPTION

(**) Term: **14 Years**

FIG. 1 is a front elevational view of a bottle in accordance with a first illustrative embodiment of our new design.

(21) Appl. No.: **29/516,256**

FIG. 2 is a perspective view of the bottle in FIG. 1.

(22) Filed: **Jan. 30, 2015**

FIG. 3 is a top plan view of the bottle in FIGS. 1 and 2, the bottle neck forming no part of the claimed design.

Related U.S. Application Data

(62) Division of application No. 29/453,870, filed on May 3, 2013, now Pat. No. Des. 703,538, and a division of (Continued)

FIG. 4 is a front elevational view of a bottle in accordance with a second illustrative embodiment of our new design.

(51) **LOC (11) Cl.** **09-01**

FIG. 5 is a perspective view of the bottle in FIG. 4.

(52) **U.S. Cl.**

USPC **D9/500**; D9/516

FIG. 6 is a top plan view of the bottle in FIGS. 4 and 5, the bottle neck forming no part of the claimed design.

(58) **Field of Classification Search**

USPC D9/500, 502-505, 516, 537-540, 545, D9/549, 558, 682, 686, 688-691, 529,

FIG. 7 is a front elevational view of a bottle in accordance with a third illustrative embodiment of our new design.

(Continued)

FIG. 8 is a perspective view of the bottle in FIG. 7.

(56) **References Cited**

U.S. PATENT DOCUMENTS

D52,423 S 9/1918 Anderson
D58,203 S 6/1921 Anderson

FIG. 9 is a top plan view of the bottle in FIGS. 7 and 8.

(Continued)

FIG. 10 is a bottom plan view of the bottle in FIGS. 7-9, the bottle bottom forming no part of the claimed design.

FIG. 11 is a front elevational view of a bottle in accordance with a fourth illustrative embodiment of our new design.

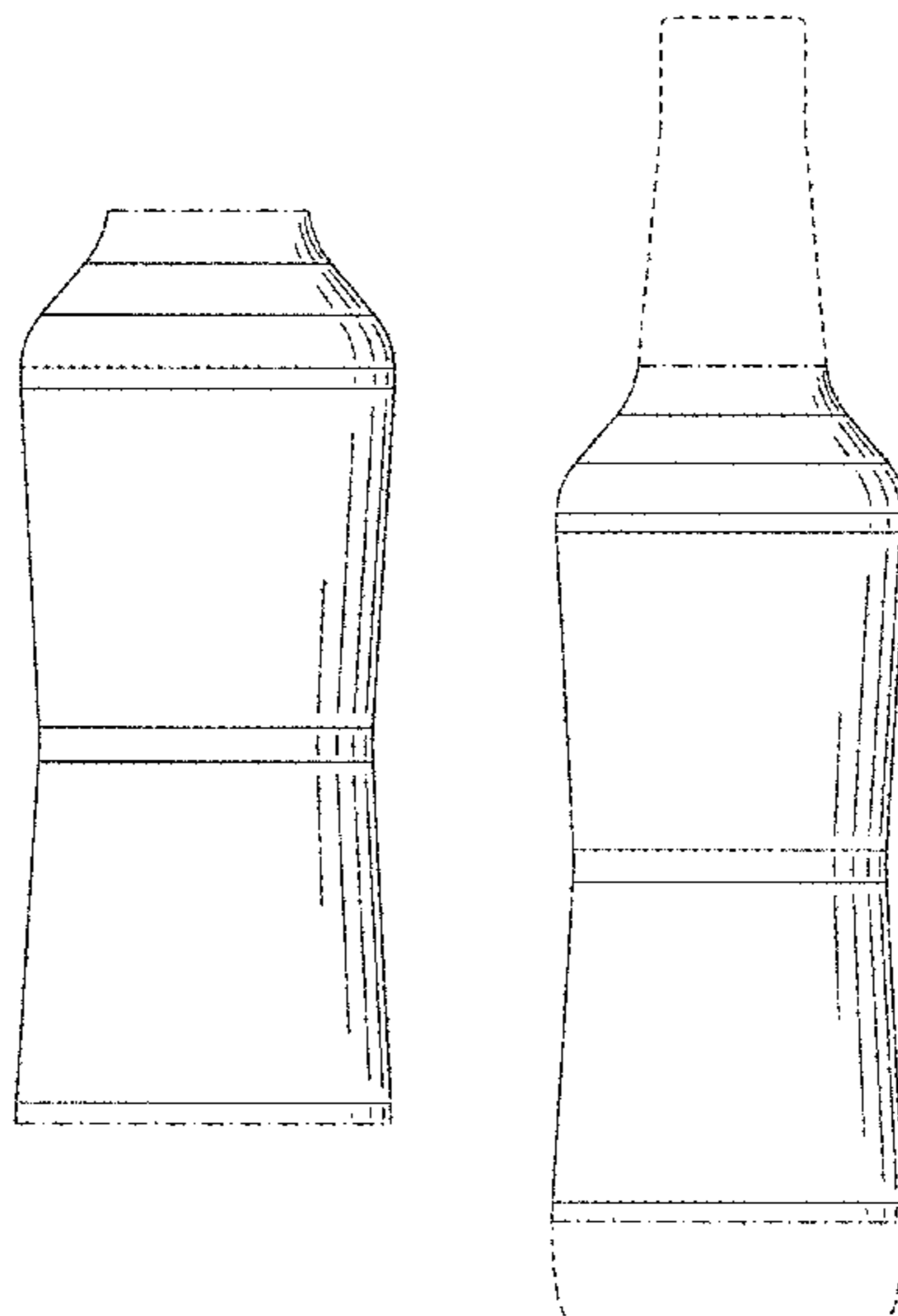
FIG. 12 is a perspective view of the bottle in FIG. 11.

FIG. 13 is a top plan view of the bottle in FIGS. 11 and 12; and,

FIG. 14 is a bottom plan view of the bottle in FIGS. 11-13, the bottle bottom forming no part of the claimed design.

The evenly-dashed broken lines in the drawings illustrate the portions of the design that form no part of the claim. The dot-dash broken lines in the drawings define the bounds of the claim and form no part thereof.

1 Claim, 4 Drawing Sheets



Related U.S. Application Data

application No. 29/482,497, filed on Feb. 19, 2014,
now Pat. No. Des. 726,539.

(58) **Field of Classification Search**

USPC D9/530, 541, 544, 685, 715, 719, 724,
D9/763-764, 772; 215/379, 381-384;
220/660, 669-673, 675; D7/300, 300.1,
D7/598; D24/197
CPC ... B65D 1/00; B65D 1/02; B65D 1/12; B65D
1/14; B65D 1/16; B65D 1/165; B65D
23/00; B65D 81/00; B65D 2501/00;
B65D 2501/0009

See application file for complete search history.

(56) **References Cited**

U.S. PATENT DOCUMENTS

D85,233 S	9/1931	Fuerst	
D131,470 S	3/1942	Key	
D191,888 S *	12/1961	Pettengill	D9/538
D193,032 S	6/1962	Waser	
D196,389 S *	9/1963	Fullerton et al.	D9/538
D217,585 S *	5/1970	Lambelet	D9/500
D231,087 S	4/1974	Edwards et al.	
3,823,032 A	7/1974	Ukai	
D272,990 S	3/1984	Strand	
5,158,190 A	10/1992	Sosenko	
D419,452 S	1/2000	DeVore	
D430,803 S	9/2000	Reis et al.	
D434,669 S	12/2000	Albright et al.	
D478,669 S *	8/2003	Wear	D24/197
D510,270 S	10/2005	Khalifa	
D528,000 S	9/2006	Davis et al.	
D531,903 S	11/2006	Haubein	
D535,563 S	1/2007	Martin	
D536,616 S	2/2007	Rubin et al.	
D538,658 S	3/2007	Horne et al.	
D539,163 S *	3/2007	Kiernan	D9/500
D543,846 S	6/2007	Kitamura et al.	
D545,194 S	6/2007	Goudsblom	
D550,558 S	9/2007	Van Besien et al.	

D559,694 S	1/2008	Le Bras-Brown et al.	
D564,892 S	3/2008	di Robilant et al.	
D572,589 S	7/2008	Coulis et al.	
D590,267 S *	4/2009	Oommen	D9/539
D608,642 S	1/2010	Black	
D613,175 S	4/2010	Delbon	
D620,361 S	7/2010	Scott	
D620,800 S	8/2010	Thielman et al.	
D621,709 S	8/2010	Minakuchi	
D633,793 S	3/2011	Reagan et al.	
D634,206 S	3/2011	Eisen	
D639,659 S	6/2011	Biondich et al.	
D642,475 S	8/2011	Crutchley et al.	
D642,926 S	8/2011	Jamieson et al.	
D644,927 S	9/2011	White et al.	
D646,977 S	10/2011	Martin	
D647,405 S	10/2011	Lauret	
D652,723 S	1/2012	Reisig	
D655,610 S	3/2012	Rice et al.	
D658,995 S	5/2012	Potts	
D663,625 S	7/2012	Warneke et al.	
D664,439 S	7/2012	Malm	
D666,914 S	9/2012	Elstow et al.	
D667,729 S	9/2012	Nutley et al.	
D676,327 S	2/2013	Rice et al.	
D676,751 S	2/2013	Coyne et al.	
D677,169 S	3/2013	Roos et al.	
D684,869 S *	6/2013	Pellaud	D9/776
D700,517 S	3/2014	Oornmen et al.	
D703,048 S	4/2014	Lopez et al.	
D703,049 S	4/2014	Riley et al.	
D703,050 S	4/2014	Lopez et al.	
D703,051 S	4/2014	Riley et al.	
D703,538 S	4/2014	Paredes et al.	
D719,839 S *	12/2014	De Carvalho	D9/500
D726,539 S *	4/2015	Paredes	D9/500
D729,579 S *	5/2015	Molayem	D7/507
9,399,533 B2 *	7/2016	Paredes	B65D 1/0223
D806,549 S *	1/2018	Laib	D9/500

FOREIGN PATENT DOCUMENTS

WO	DM/072412	9/2009
WO	DM/074828	12/2010

* cited by examiner

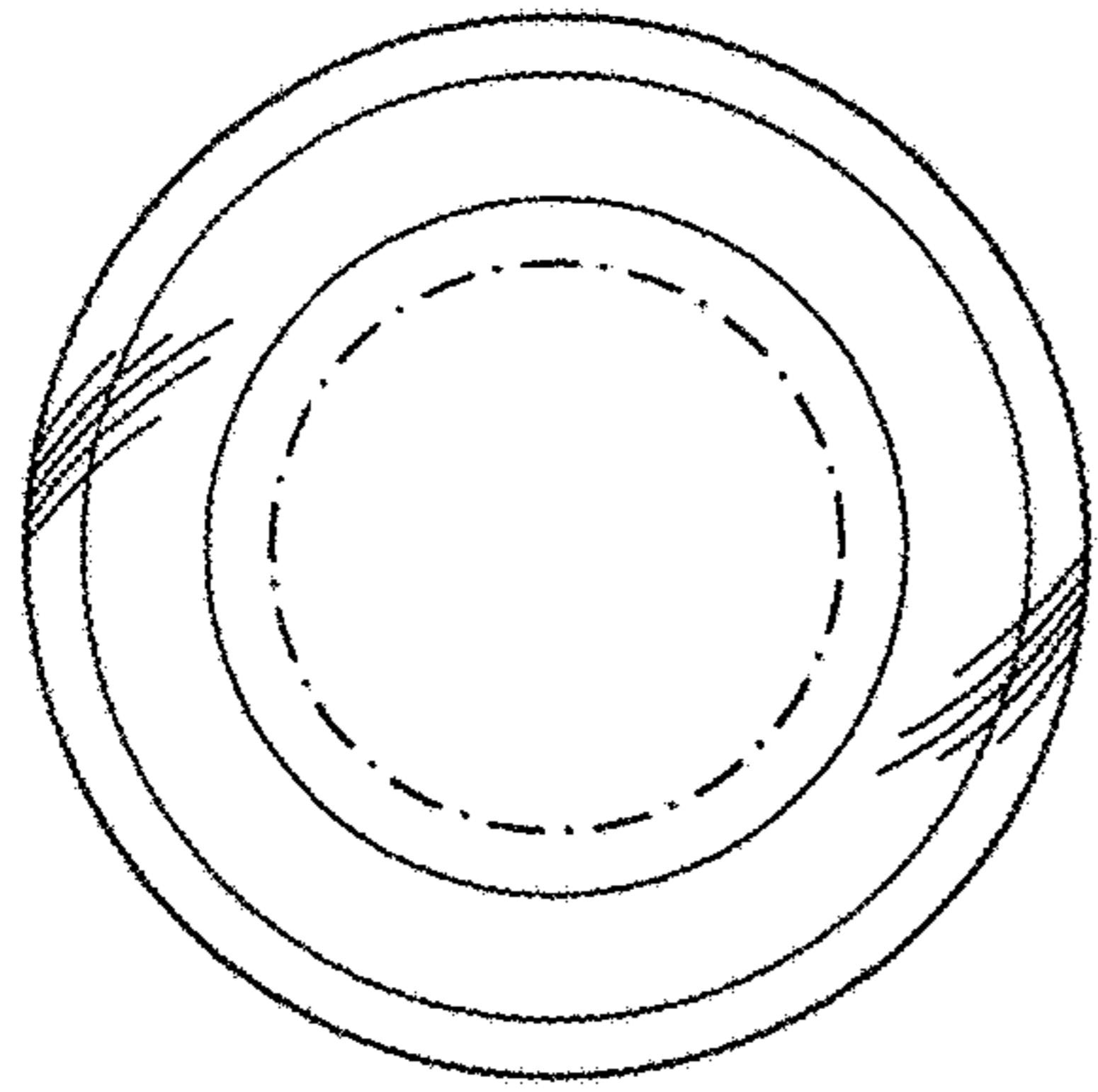


FIG. 3

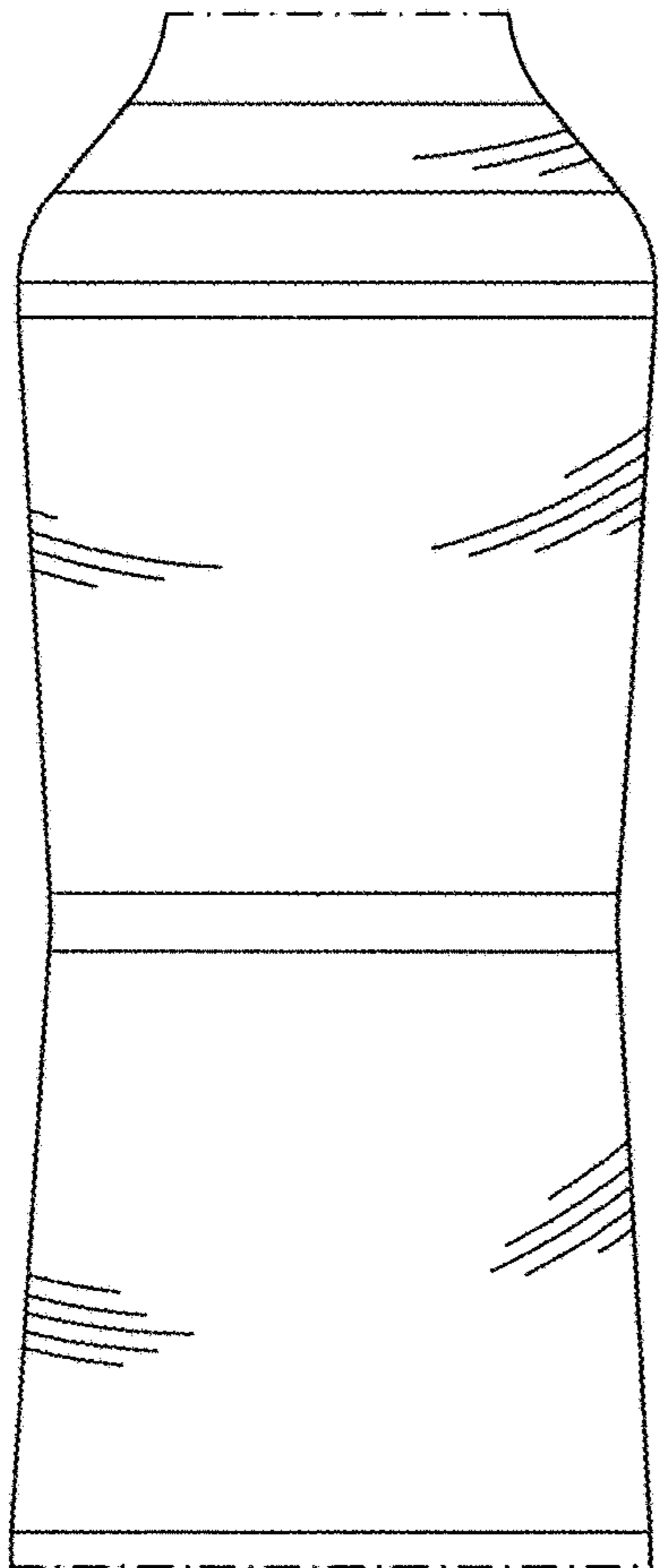


FIG. 1

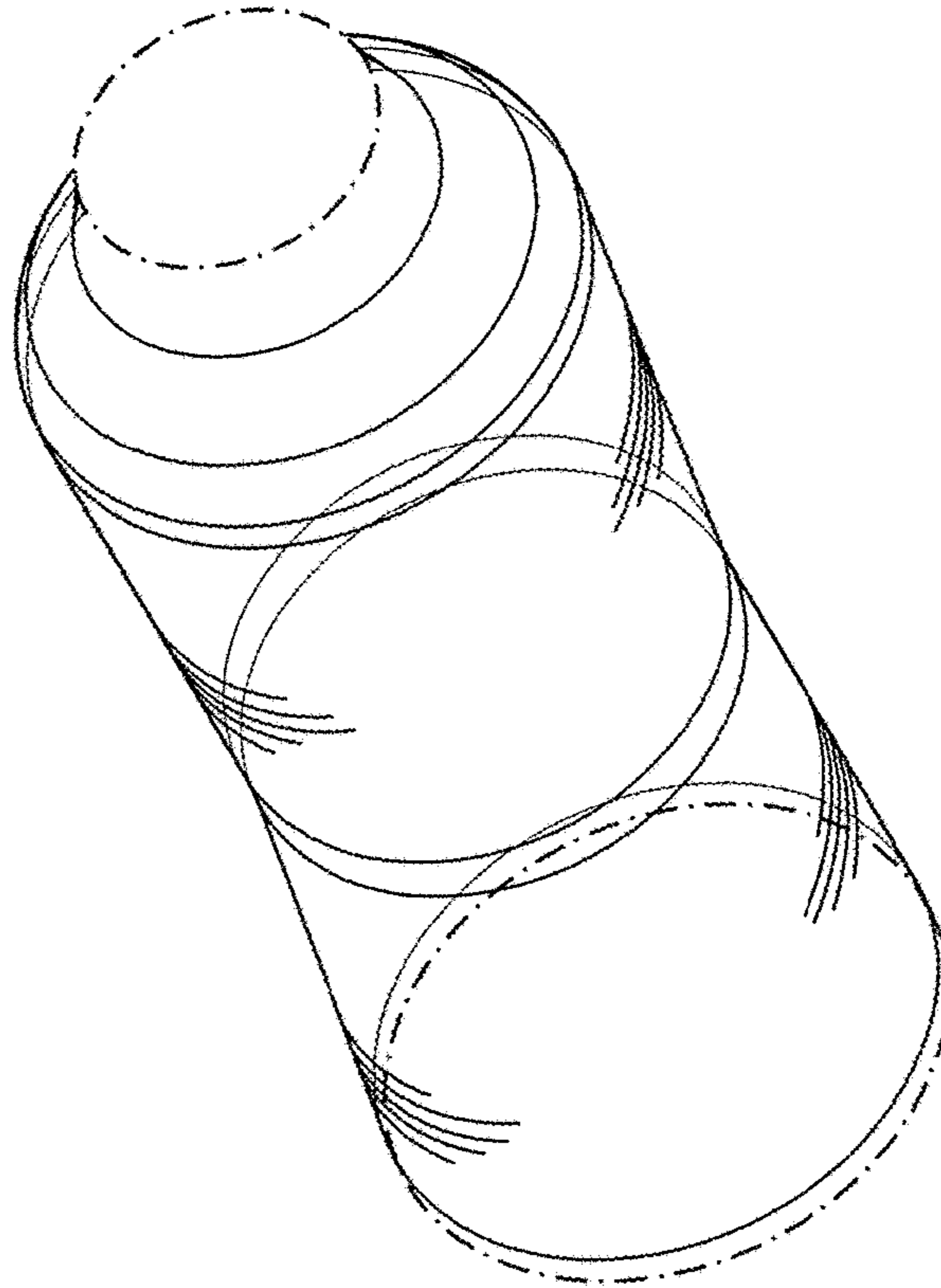


FIG. 2

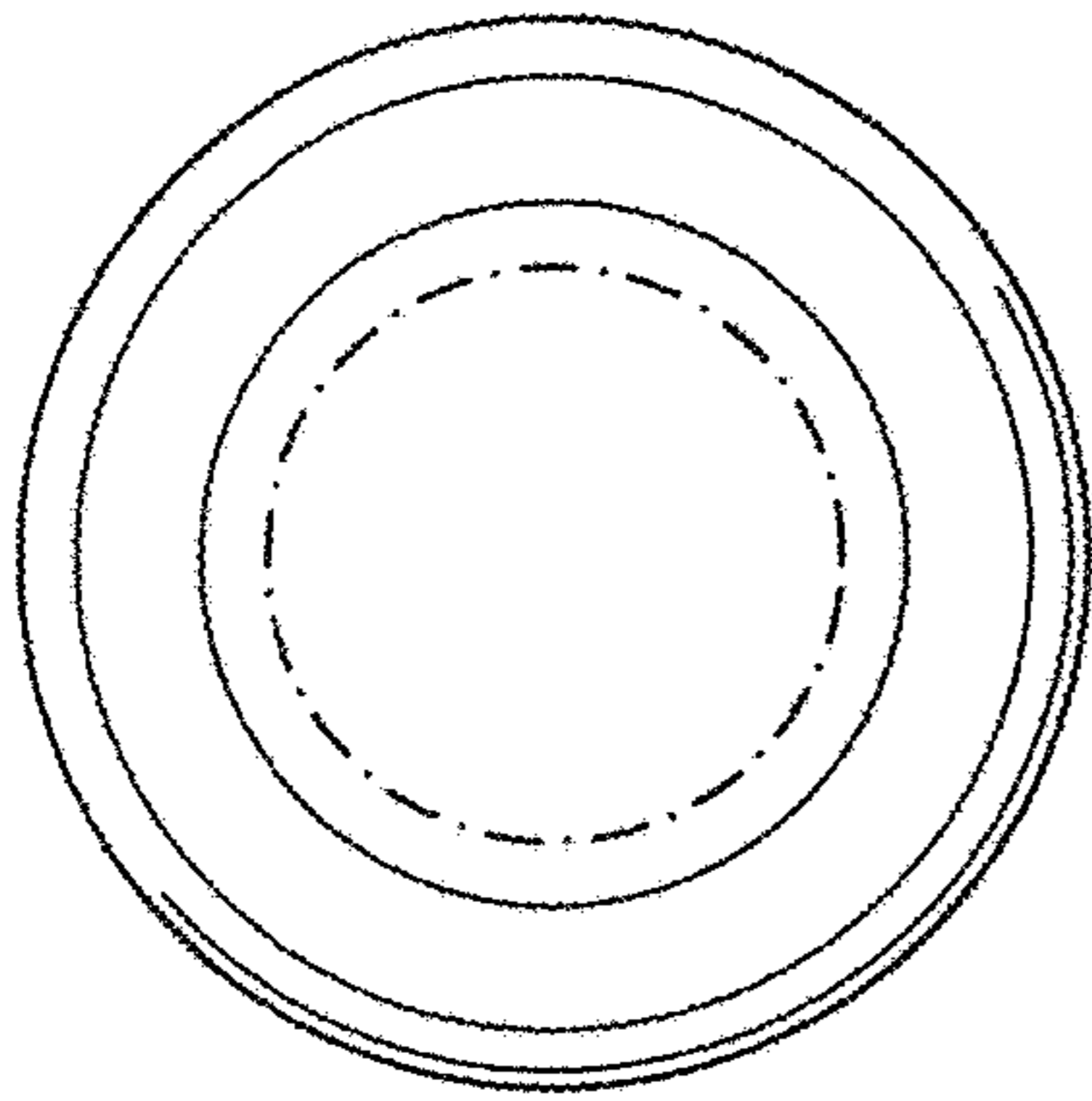


FIG. 6

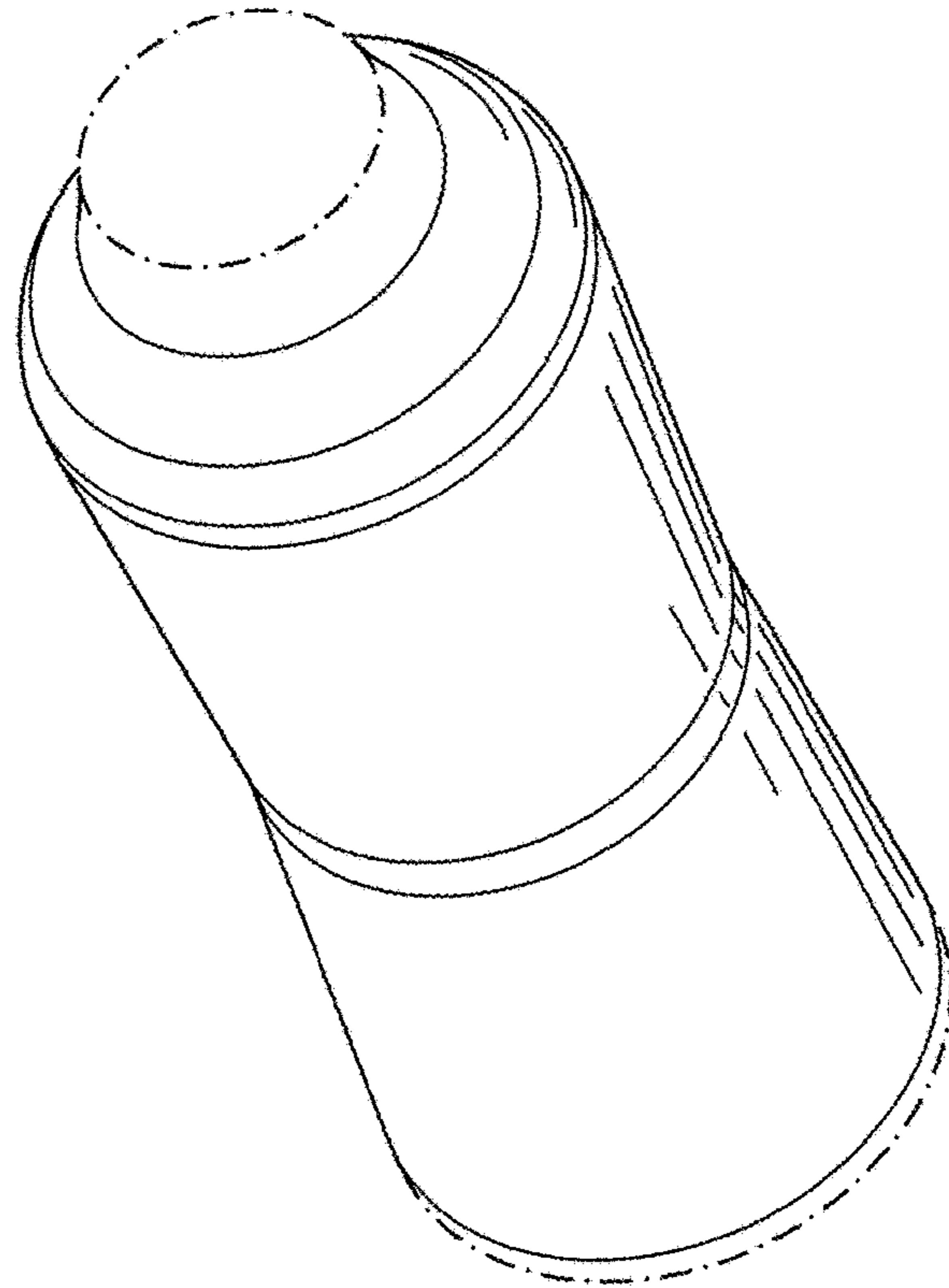


FIG. 5

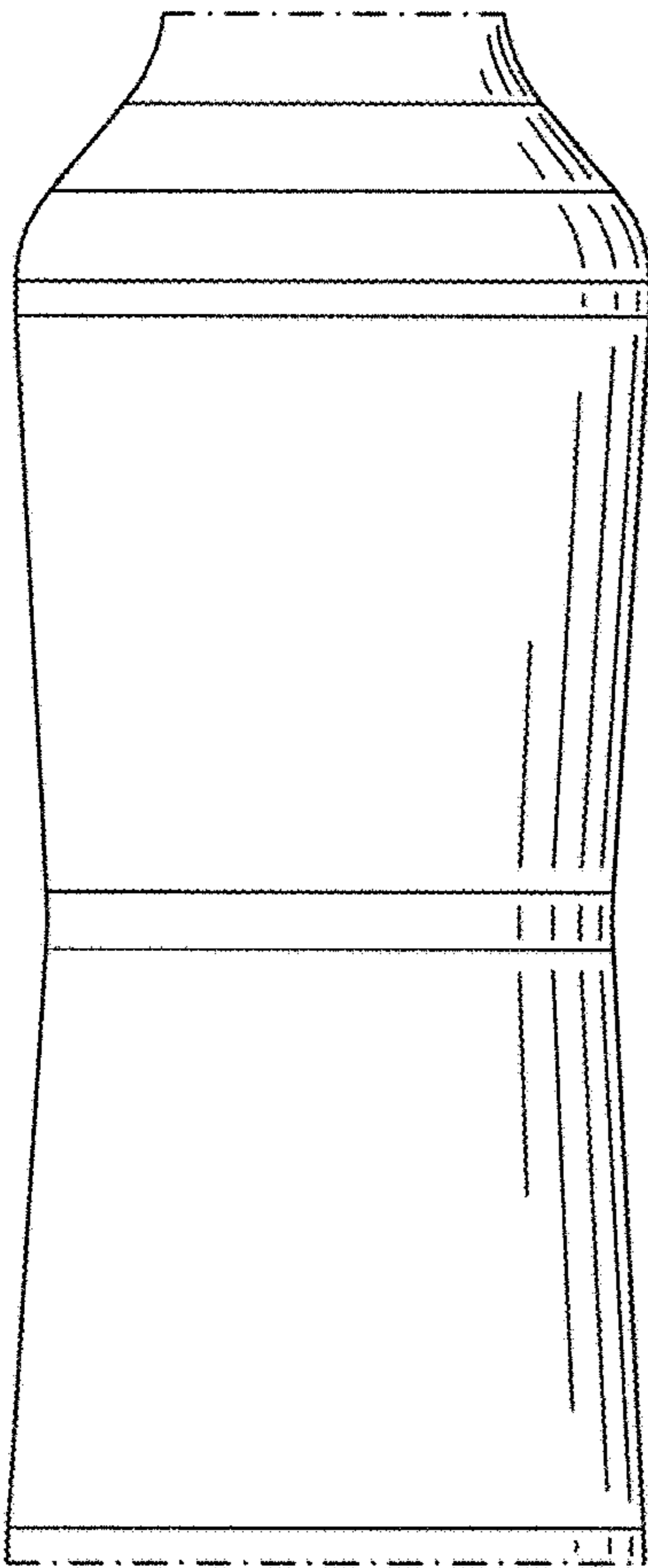


FIG. 4

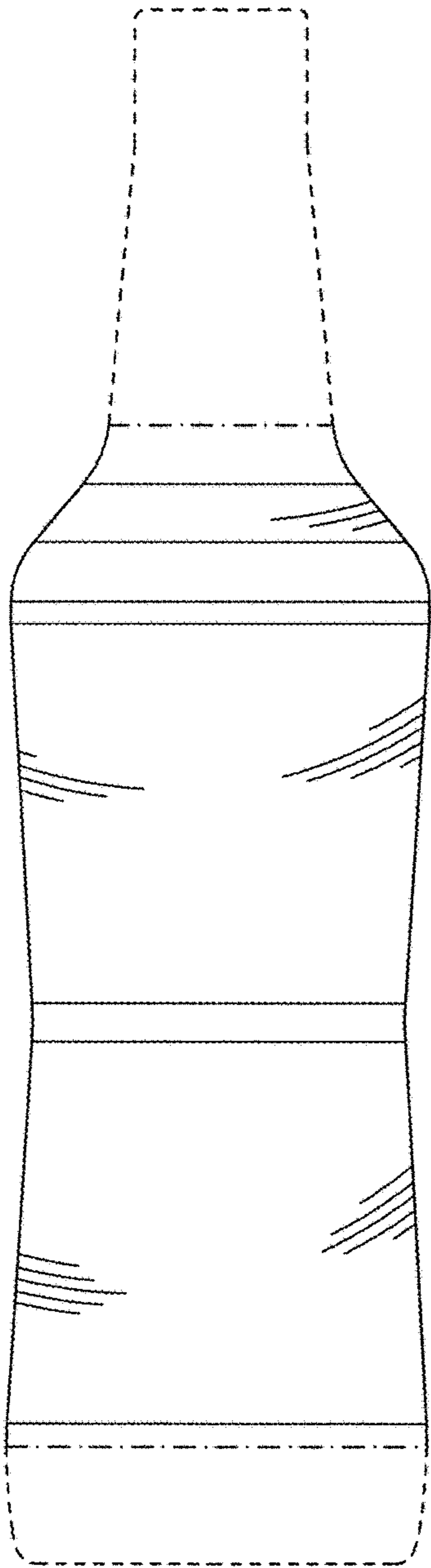


FIG. 7

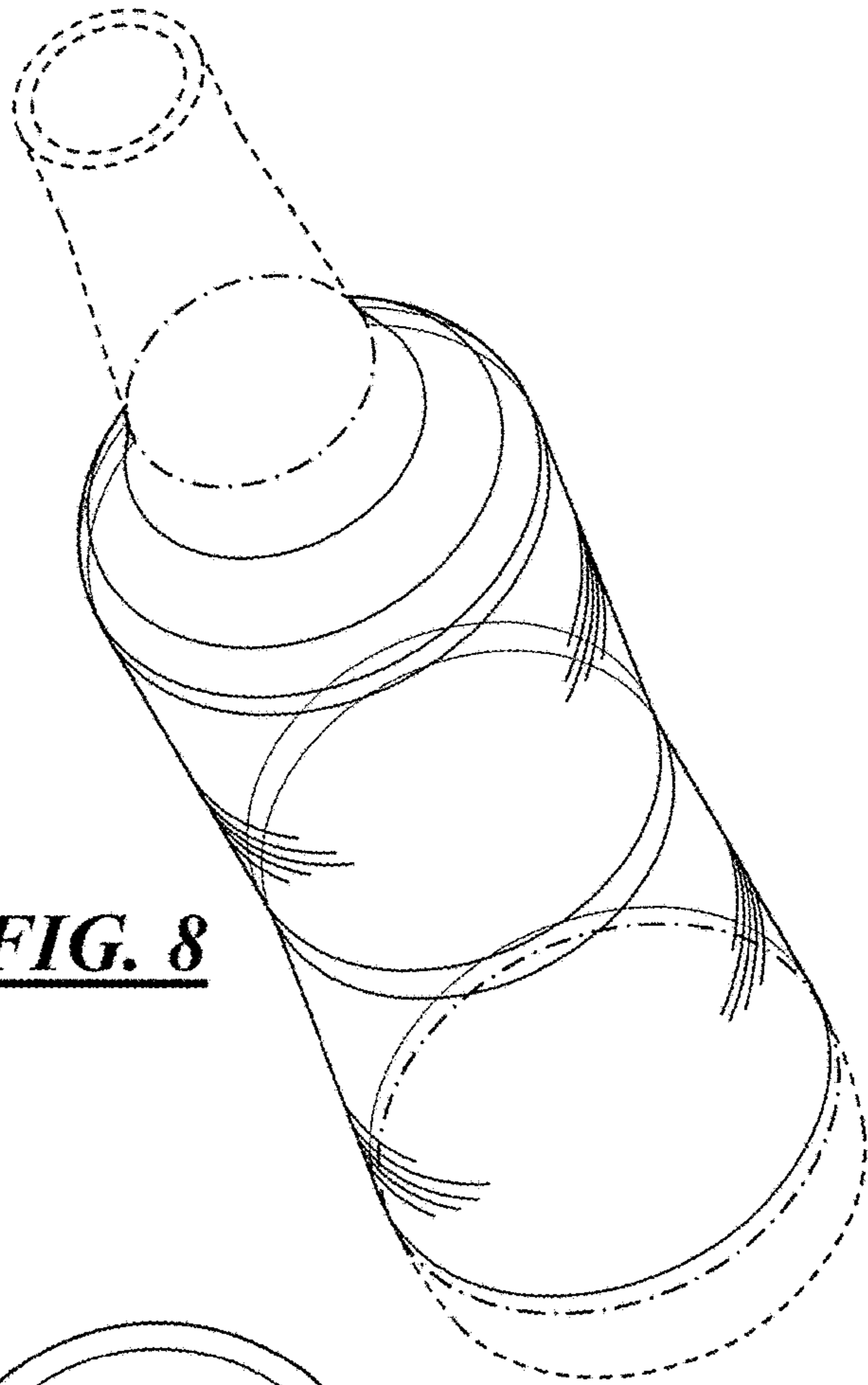


FIG. 8

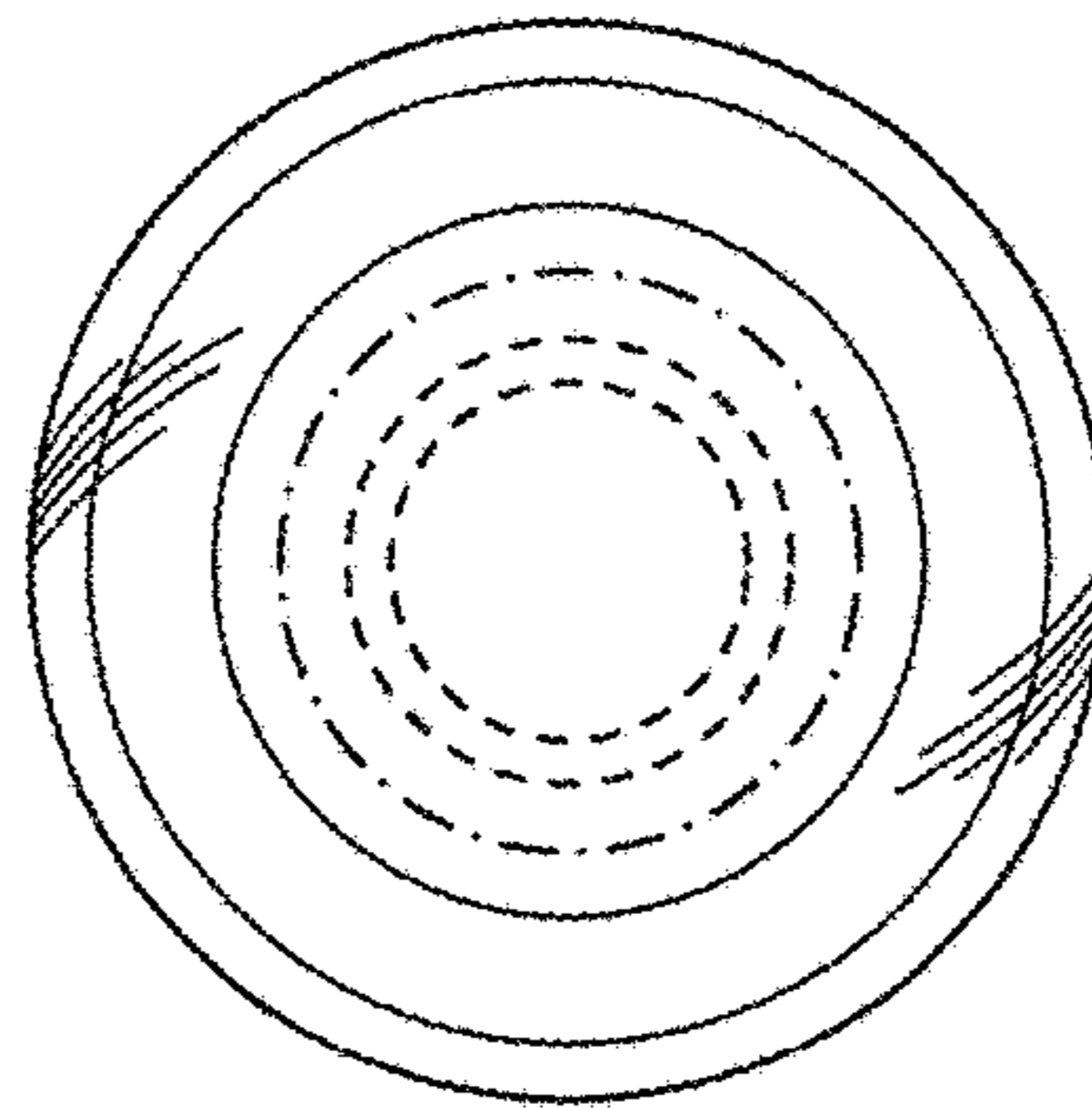


FIG. 9

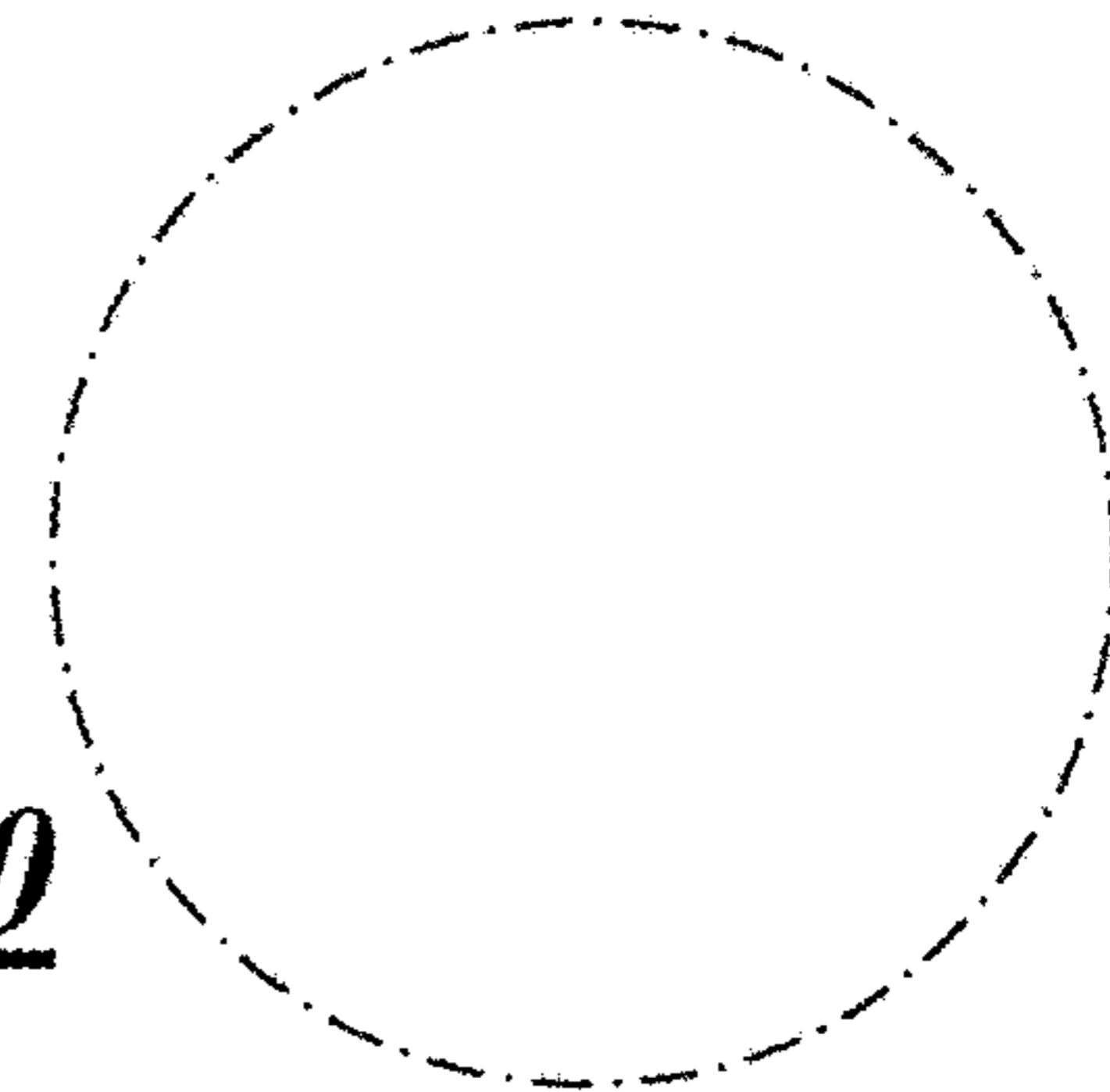


FIG. 10

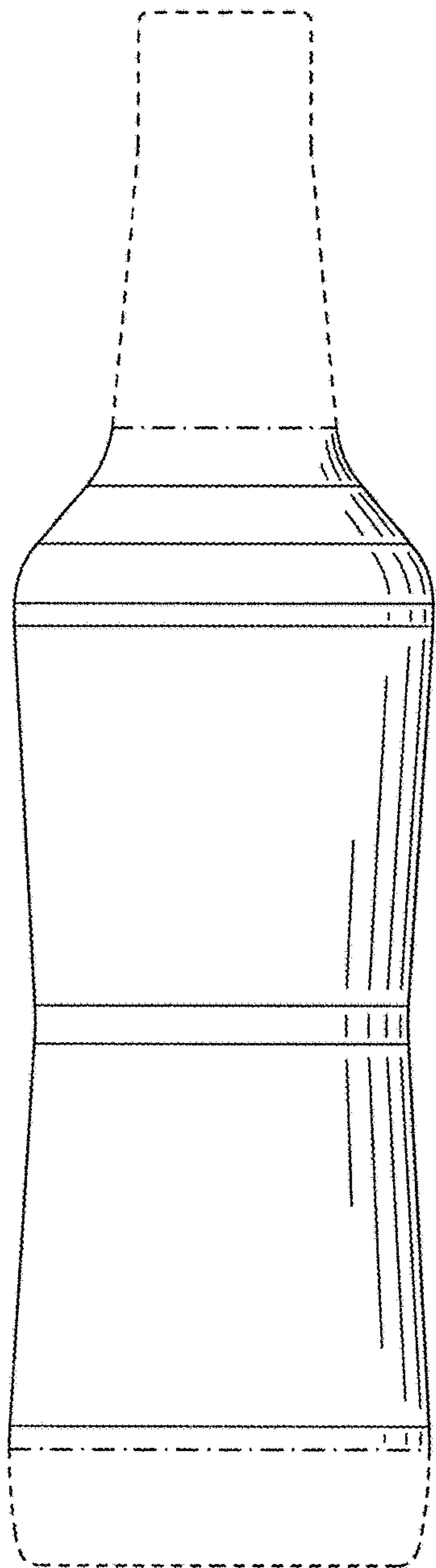


FIG. 11

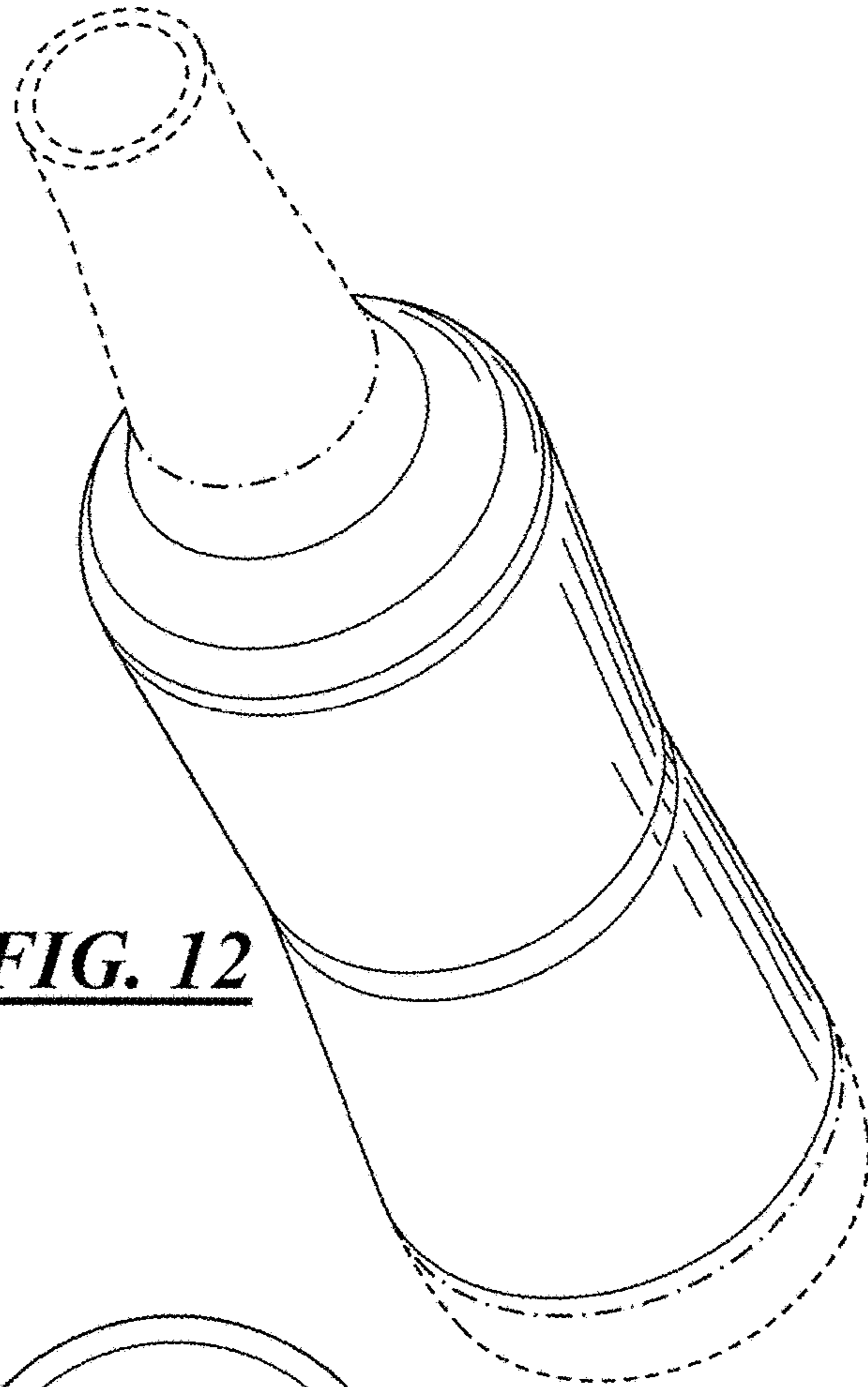


FIG. 12

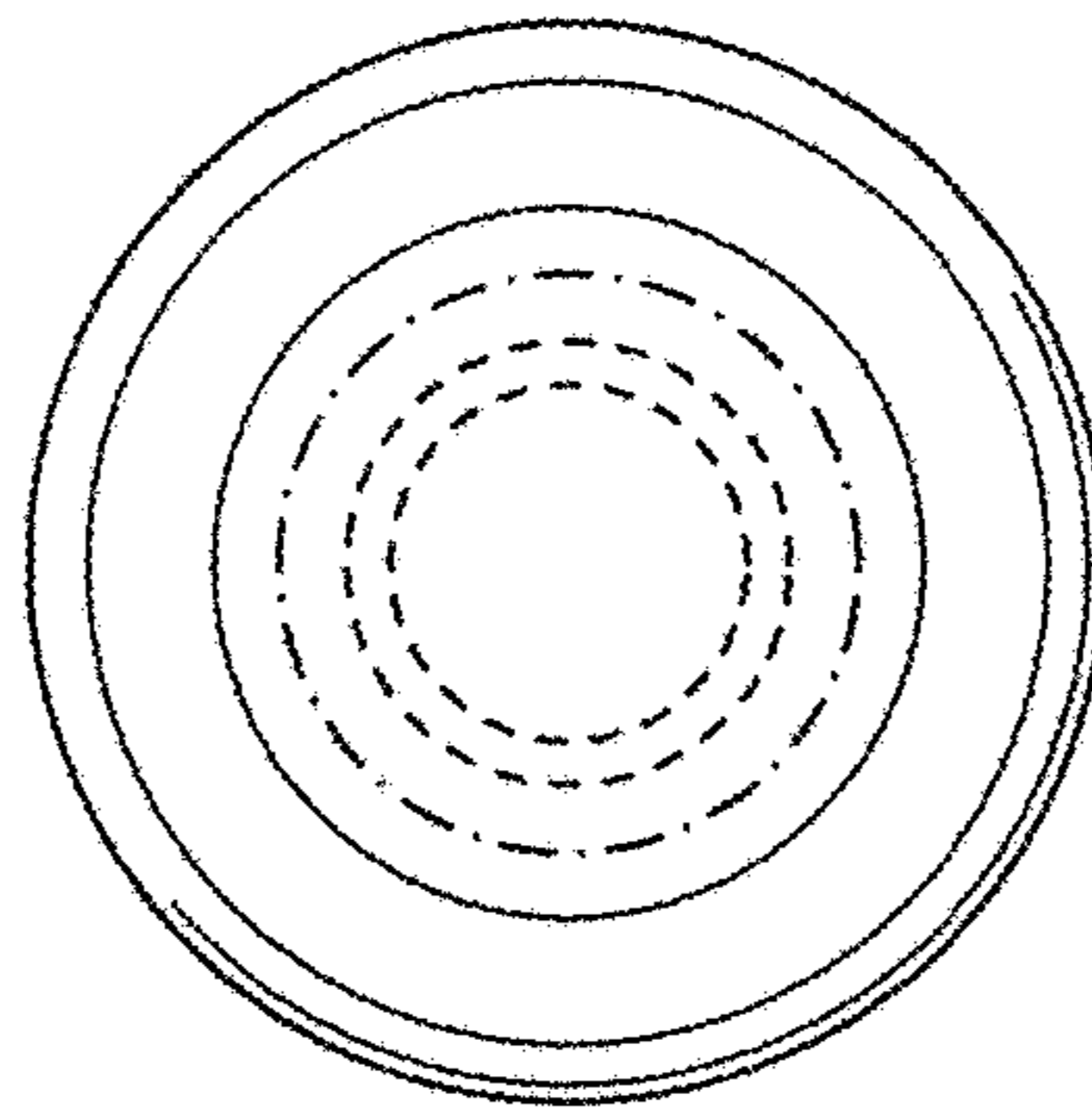


FIG. 13

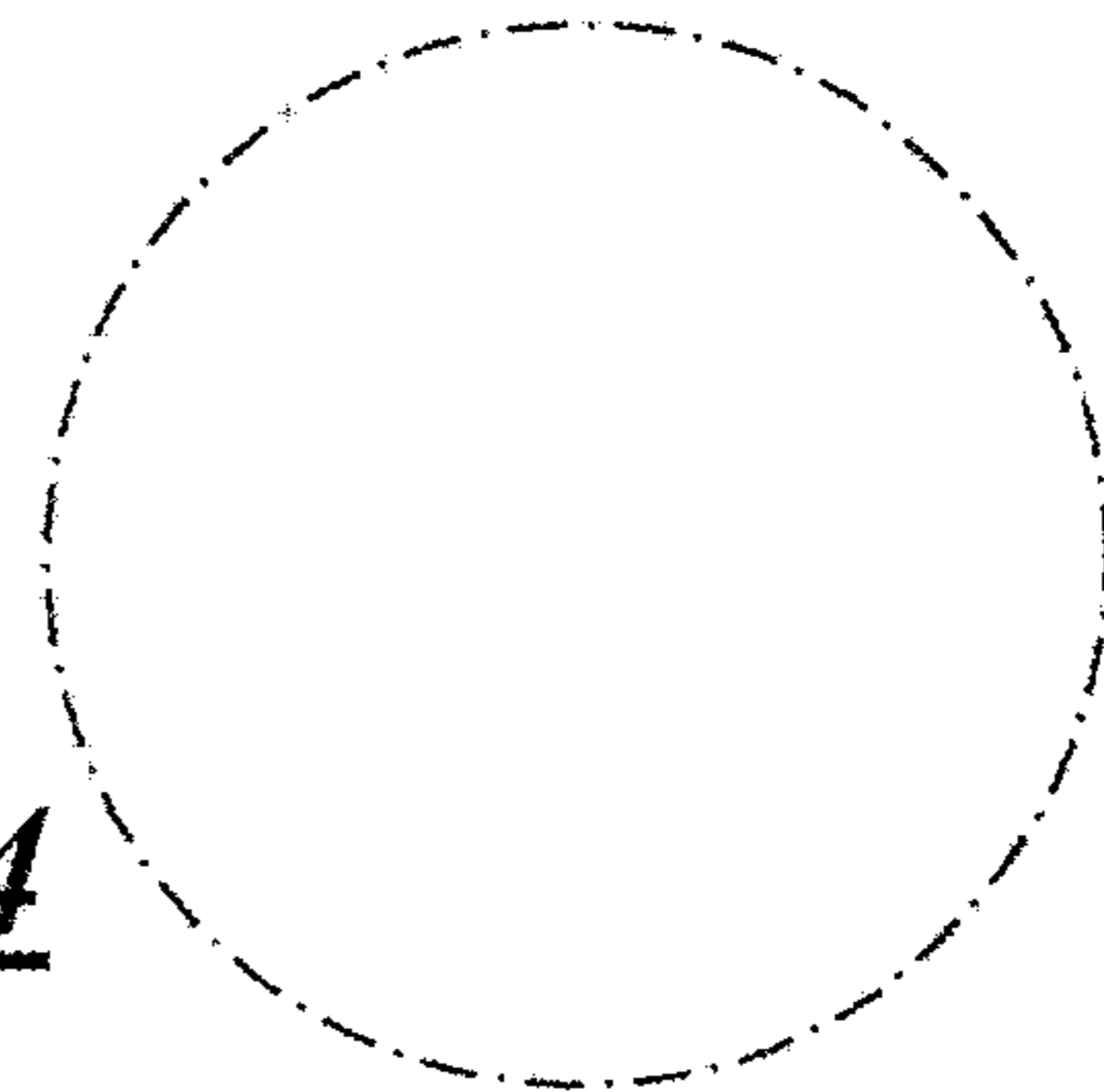


FIG. 14