



US00D818824S

(12) **United States Design Patent** (10) **Patent No.:** **US D818,824 S**
Balander et al. (45) **Date of Patent:** **** May 29, 2018**

(54) **PACKAGING BASE**

(71) Applicant: **Brita LP**, Oakland, CA (US)

(72) Inventors: **Sara Balander**, Pleasanton, CA (US);
Russell E. Bell, Pleasanton, CA (US);
Thomas Wing Lim Lau, Kowloon (HK); **Don F. Gardner**, Danville, CA (US)

(73) Assignee: **Brita LP**, Oakland, CA (US)

(**) Term: **15 Years**

(21) Appl. No.: **29/577,991**

(22) Filed: **Sep. 16, 2016**

(51) **LOC (11) Cl.** **09-07**

(52) **U.S. Cl.**
USPC **D9/456**

(58) **Field of Classification Search**
USPC D9/414, 425, 430, 432, 456, 737, 759,
D9/760; D7/553.1, 553.2, 554.3;
206/216, 486, 553, 557, 561, 562, 564,
206/565, 570; 220/500, 675
CPC A61B 50/33; B65D 81/025; B65D 1/36;
B65D 2581/055; B65D 81/113; B65D
81/133; B65D 1/0223; B65D 1/34; B65D
2543/00296; B65D 79/005; B65D 71/70;
B65D 5/5021; B65D 25/04; B65D 77/24;
B65D 5/5038; B65D 25/10; B65D
21/0233; B65D 1/40; B65D 2571/0066;
B65D 43/162; B65D 73/0042

See application file for complete search history.

(56) **References Cited**

U.S. PATENT DOCUMENTS

D210,273 S * 2/1968 Rhee D28/73
D293,842 S * 1/1988 Titi D32/73

(Continued)

OTHER PUBLICATIONS

Filter Your Water Faster with Brita Stream (via Happy Mothering blog), available Mar. 17, 2017, [online], [site visited Jan. 22, 2018]. Available from internet, <https://www.happy-mothering.com/03/household/brita-stream/>.*

Primary Examiner — Cathron Brooks

Assistant Examiner — Teddy Falloway

(74) *Attorney, Agent, or Firm* — Thomas C. Feix

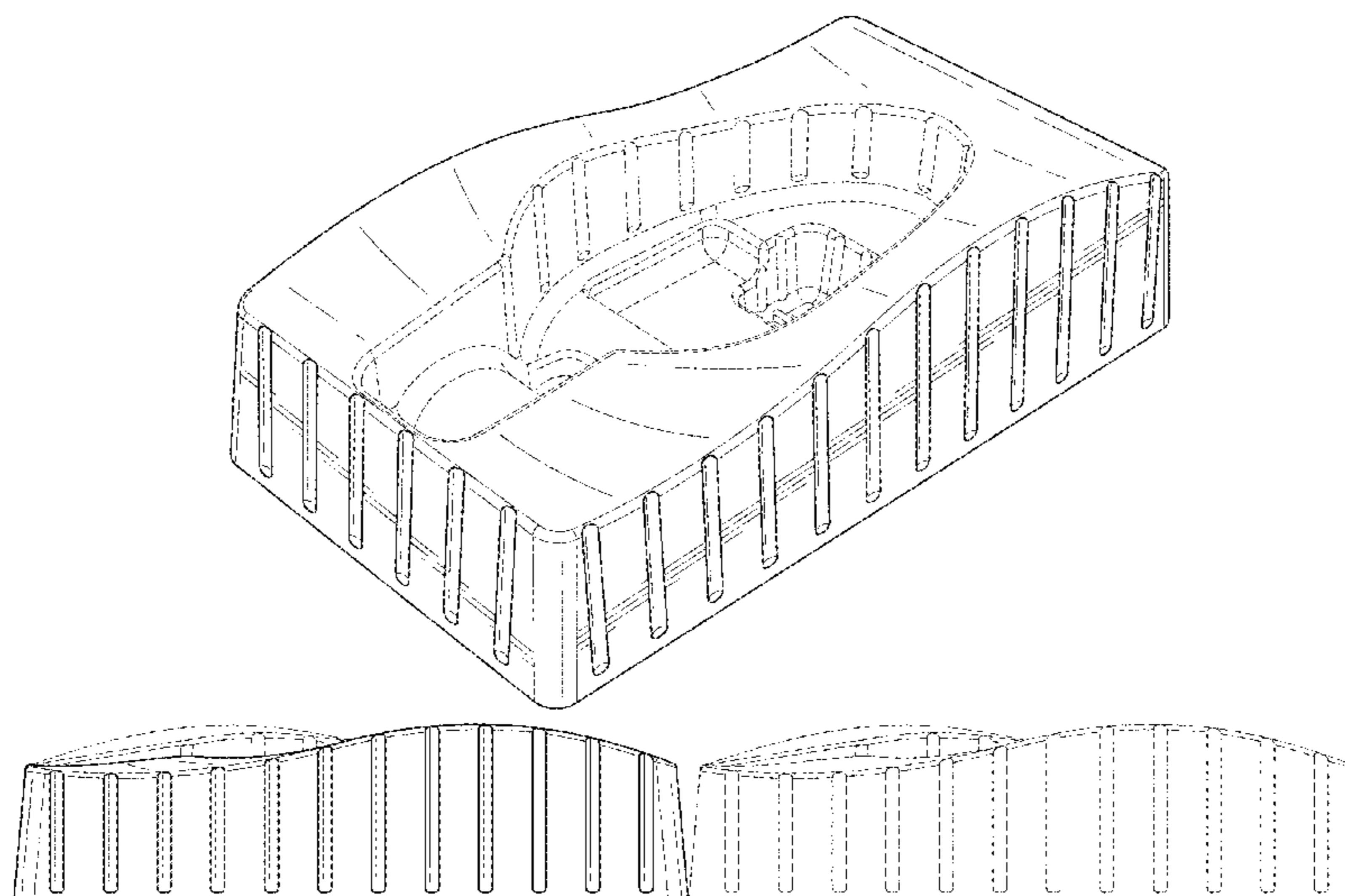
(57) **CLAIM**

The ornamental design for a packaging base, as shown and described.

DESCRIPTION

FIG. 1 is a front perspective view of a packaging base; FIG. 2 is a front view thereof; FIG. 3 is a rear view thereof; FIG. 4 is a left side view thereof; FIG. 5 is a right side view thereof; FIG. 6 is a top view thereof; FIG. 7 is a bottom view thereof; FIG. 8 is another front view thereof, but shown with another packaging base illustrated in broken lines as environment. FIG. 9 is a front perspective view of another embodiment of a packaging base; FIG. 10 is a front view thereof; FIG. 11 is a rear view thereof; FIG. 12 is a left side view thereof; FIG. 13 is a right side view thereof; FIG. 14 is a top view thereof; FIG. 15 is a bottom view thereof; and, FIG. 16 is another front view thereof, but shown with another packaging base illustrated in broken lines as environment. The broken lines shown in FIGS. 1-7 and 9-15 illustrate portions of the packaging base. The broken lines shown in FIGS. 8 and 16 illustrate both portions of the packaging base and environment. The broken lines form no part of the claimed design.

1 Claim, 12 Drawing Sheets



(56)

References Cited

U.S. PATENT DOCUMENTS

D321,054 S *	10/1991	Cohn	D24/200
D555,472 S *	11/2007	Gedanke	D9/418
D723,920 S *	3/2015	Wakeham	D9/456
D782,330 S *	3/2017	Kim	D9/456
D782,331 S *	3/2017	Kim	D9/456
D782,332 S *	3/2017	Kim	D9/456
2006/0108255 A1 *	5/2006	Chu	B29C 45/0053 206/521
2014/0014537 A1 *	1/2014	Eshetu	B65D 77/0453 206/216

* cited by examiner

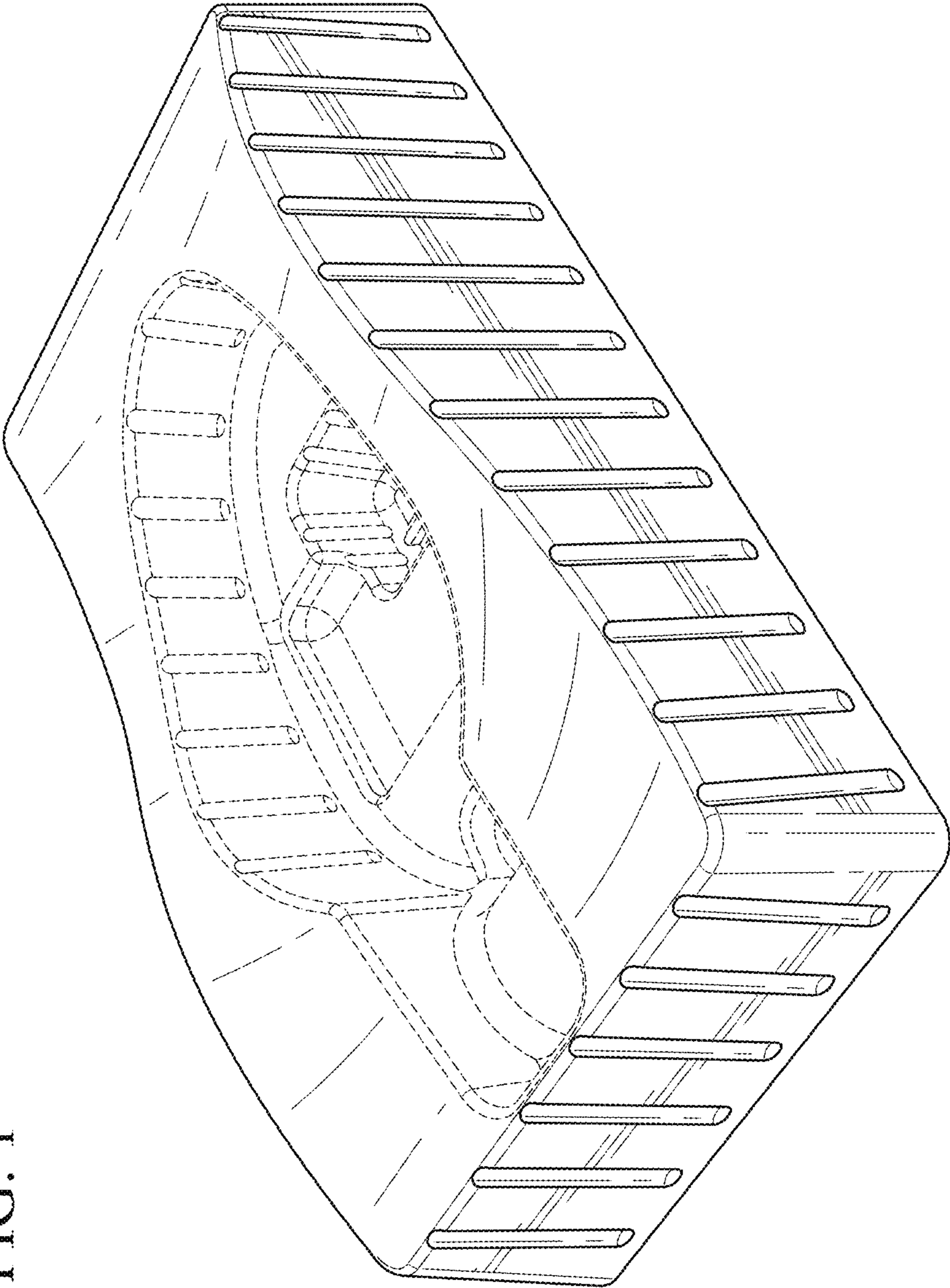


FIG. 1

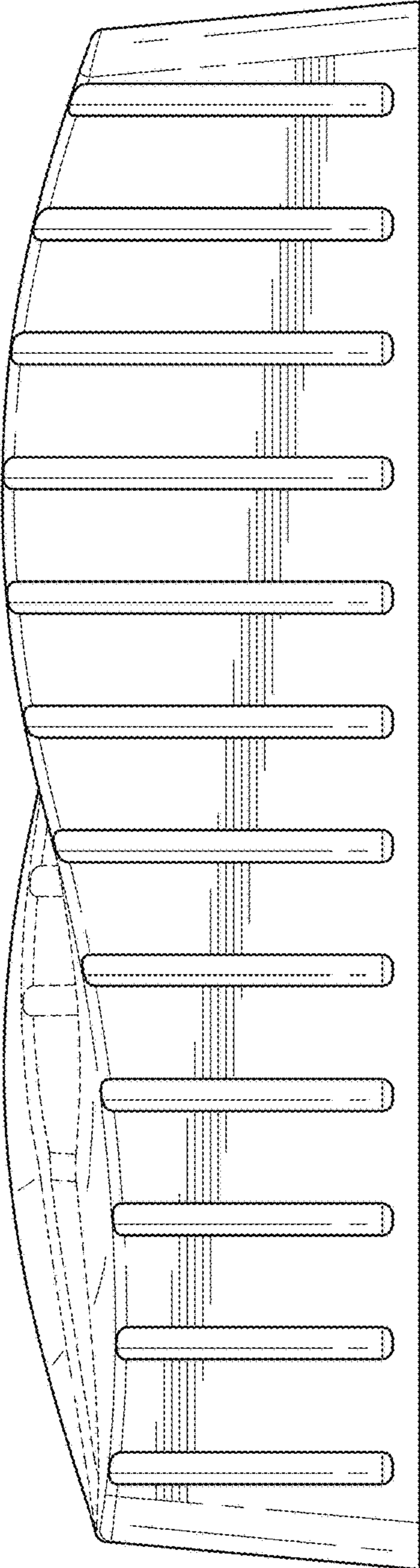


FIG. 2

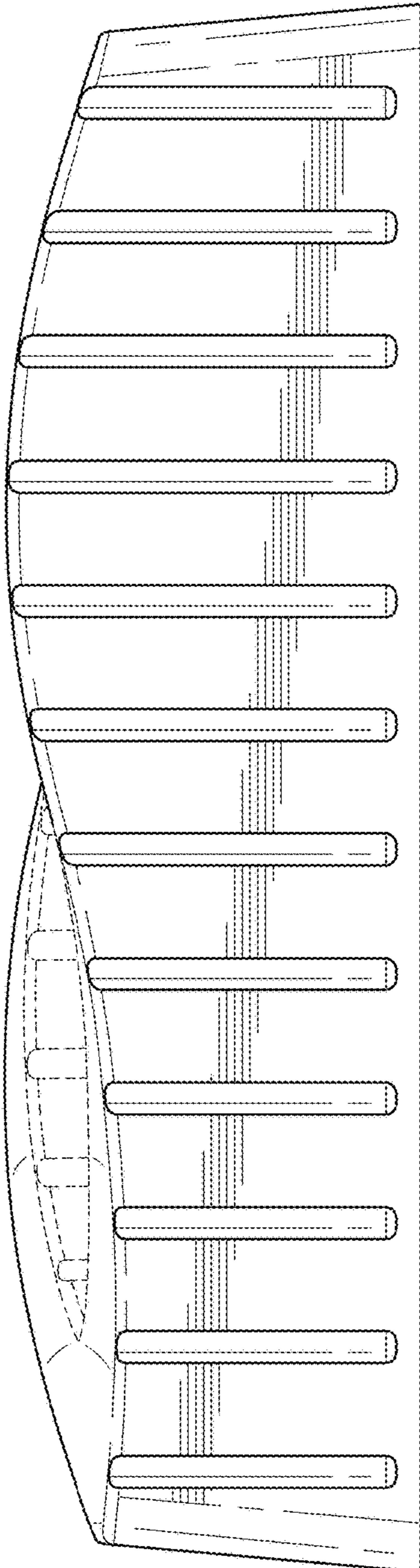


FIG. 3

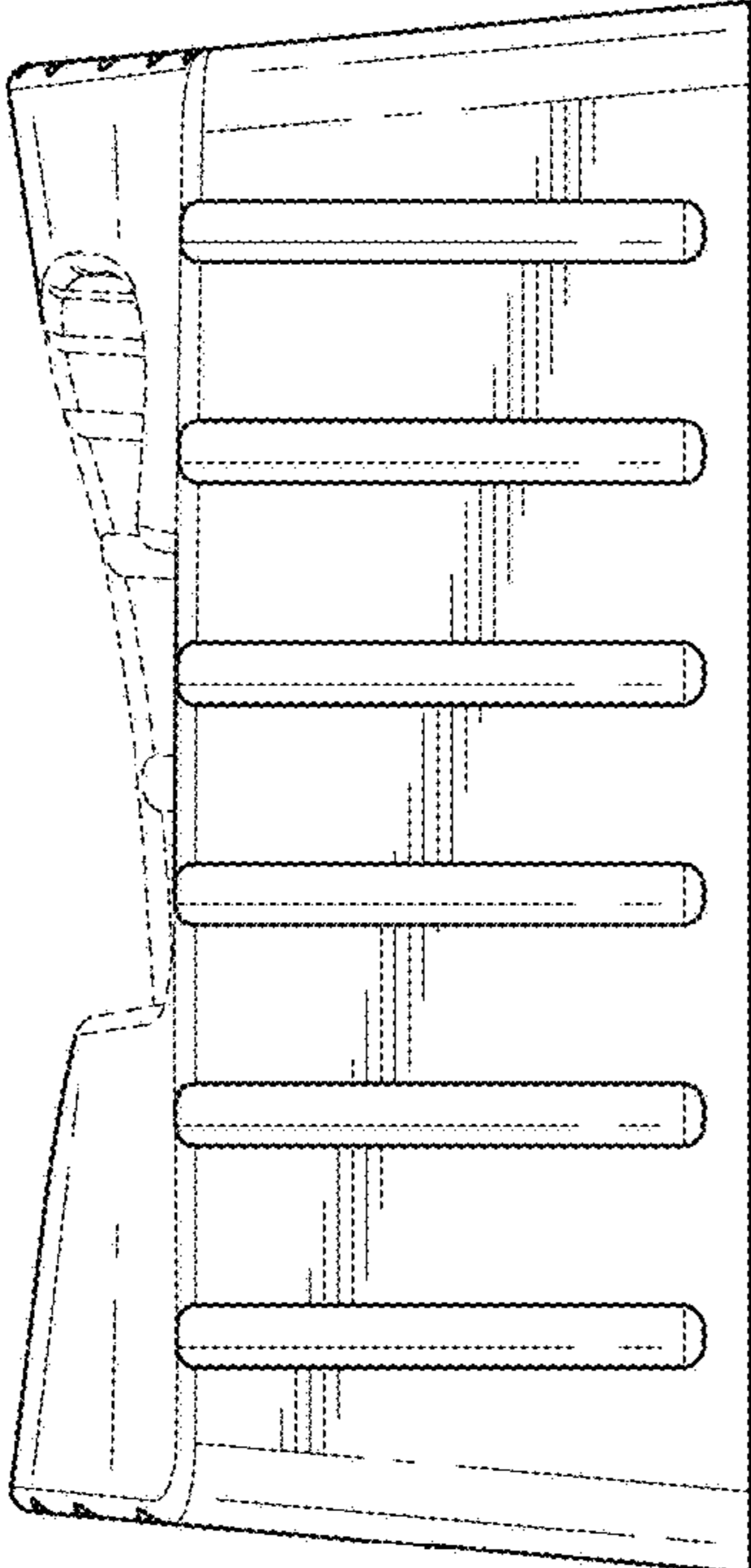


FIG. 4

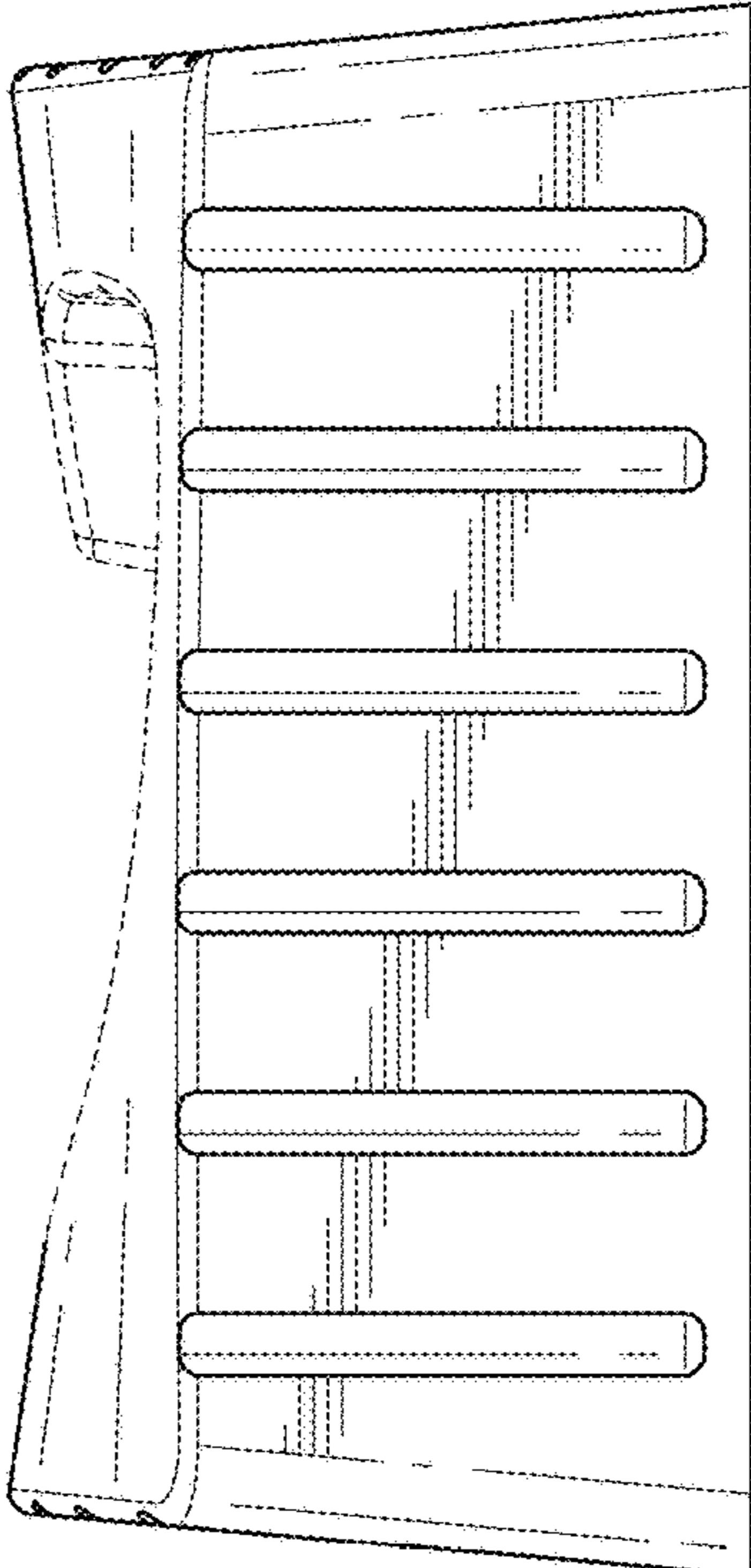


FIG. 5

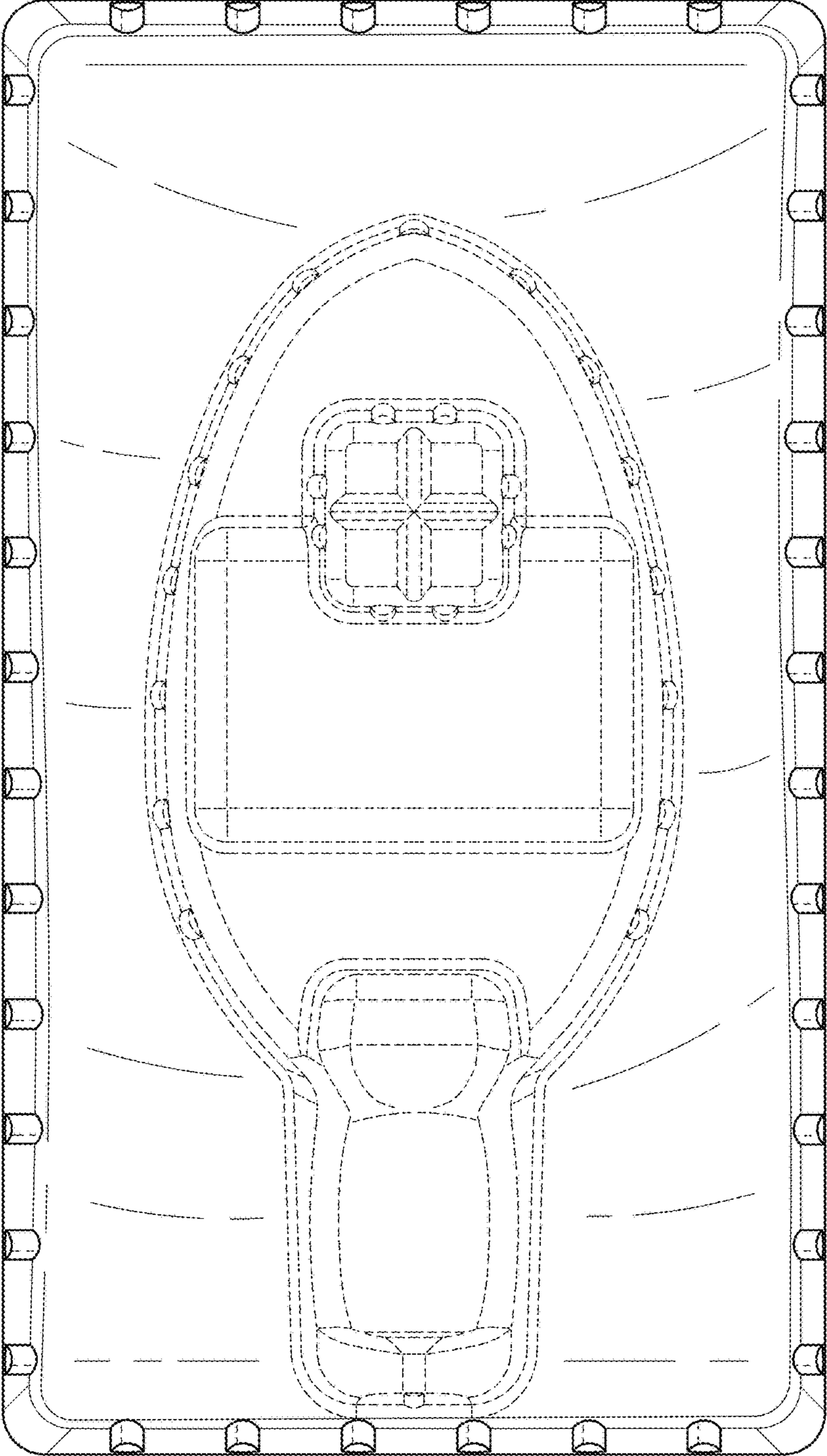


FIG. 6

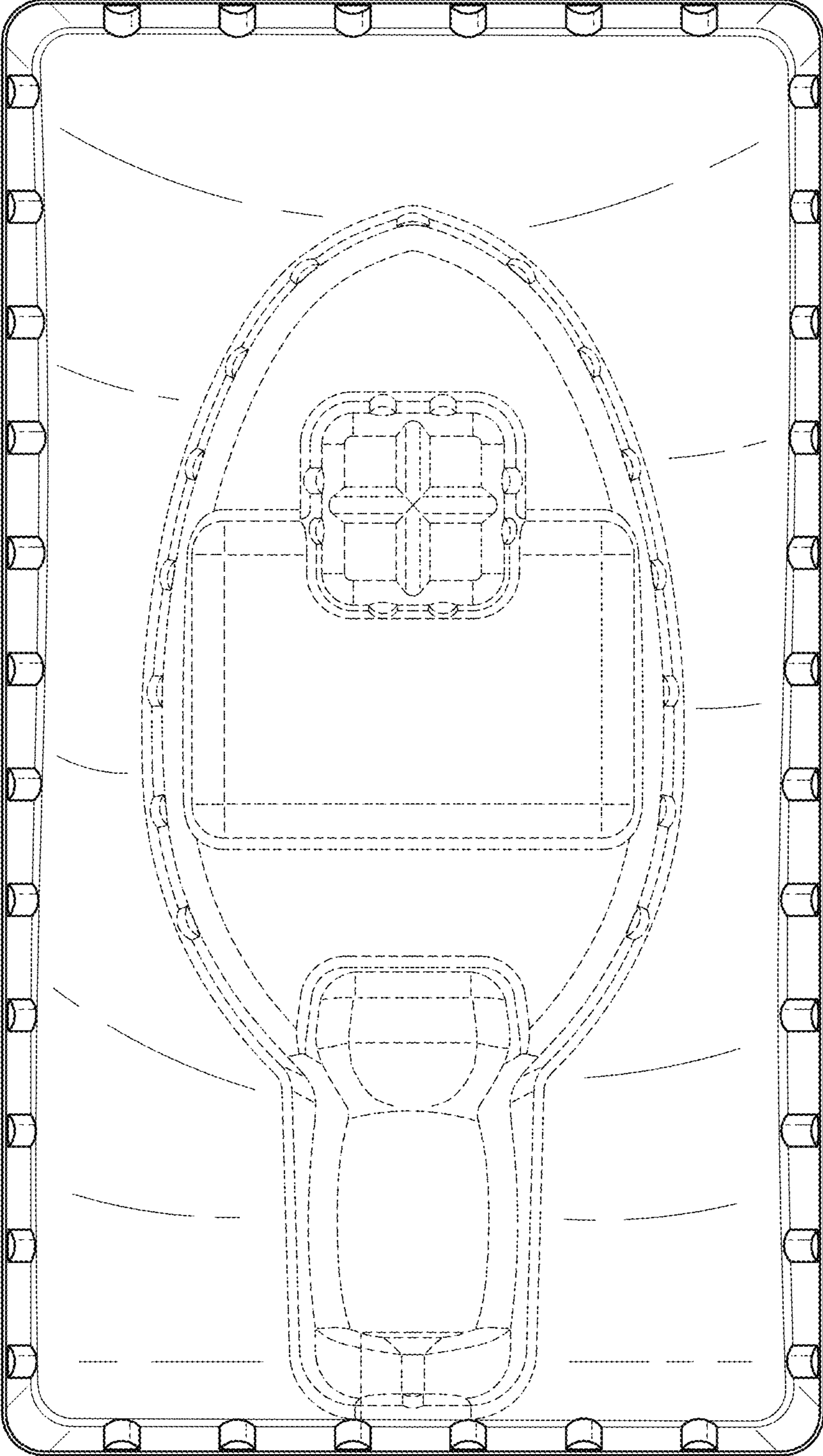


FIG. 7

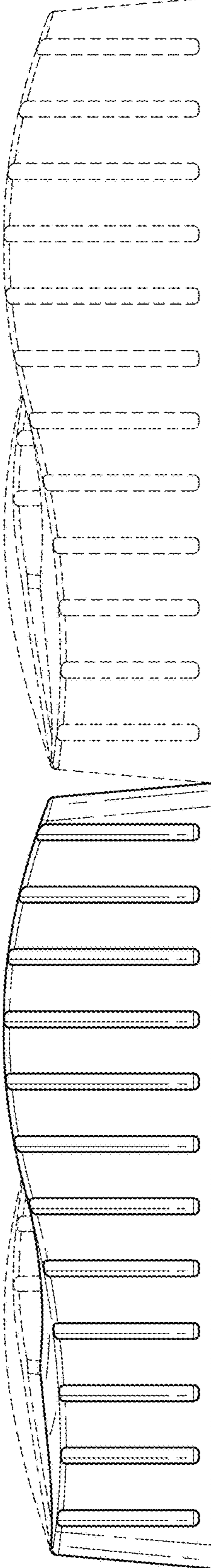


FIG. 8

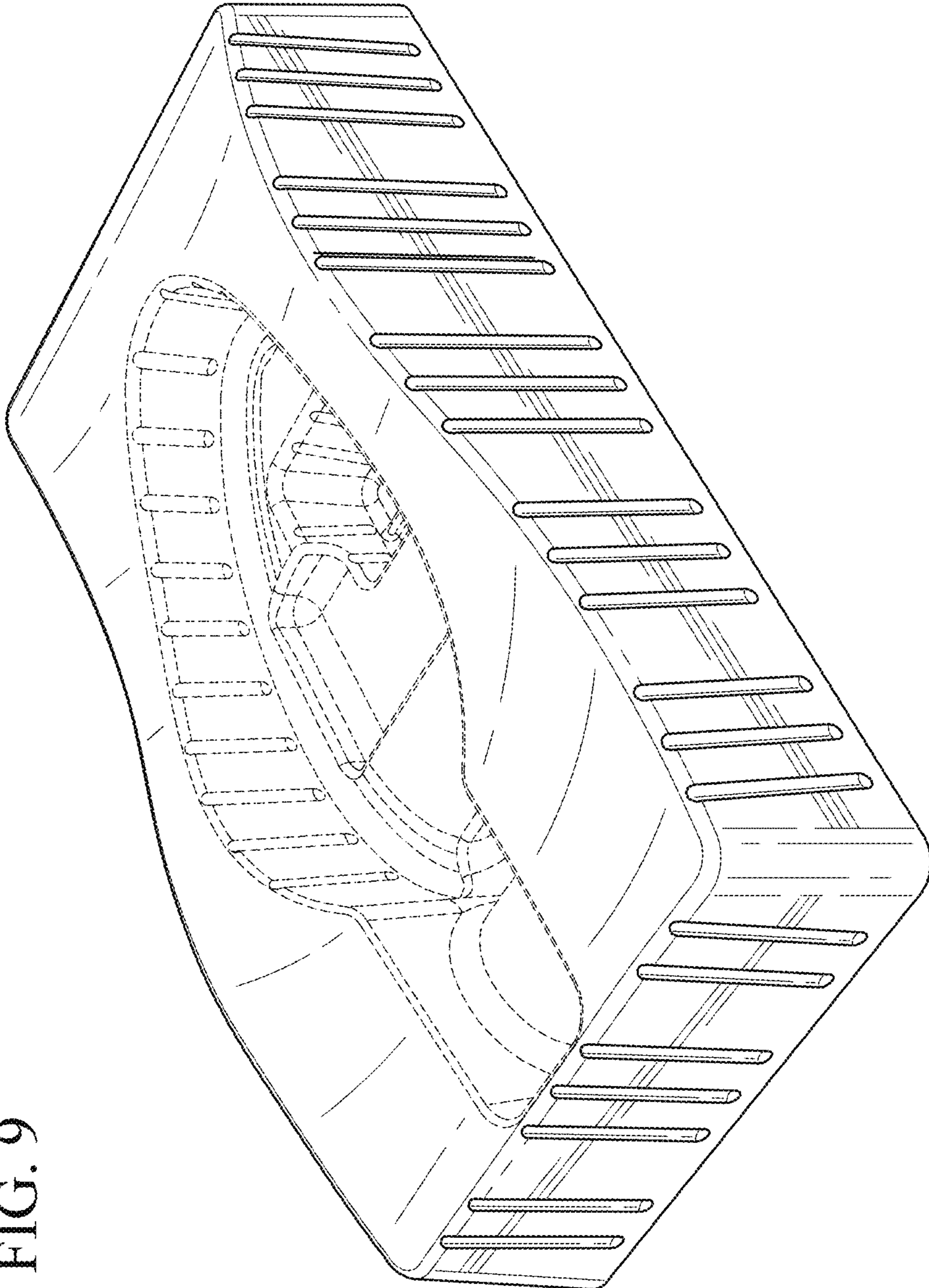


FIG. 9

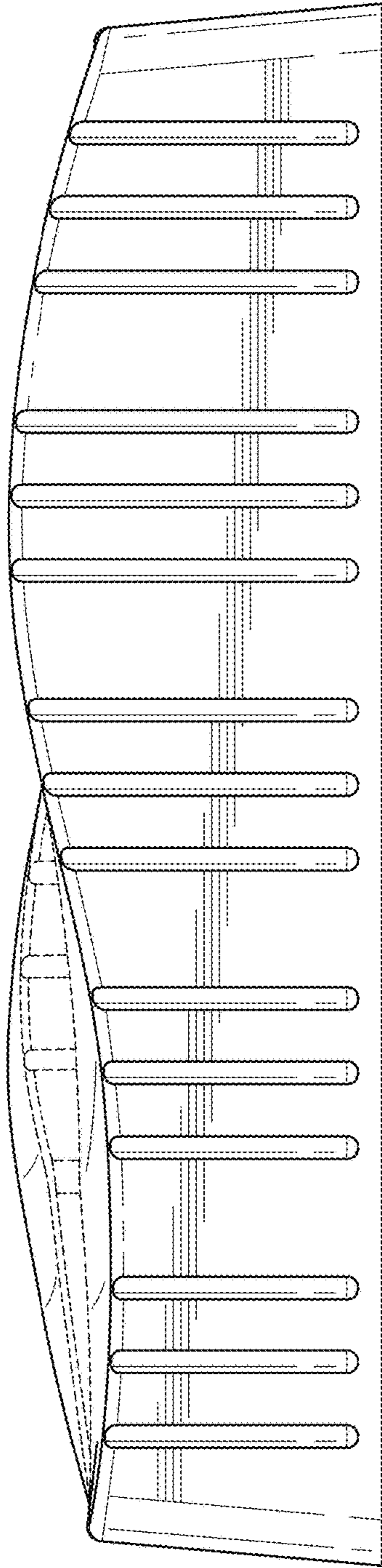


FIG. 10

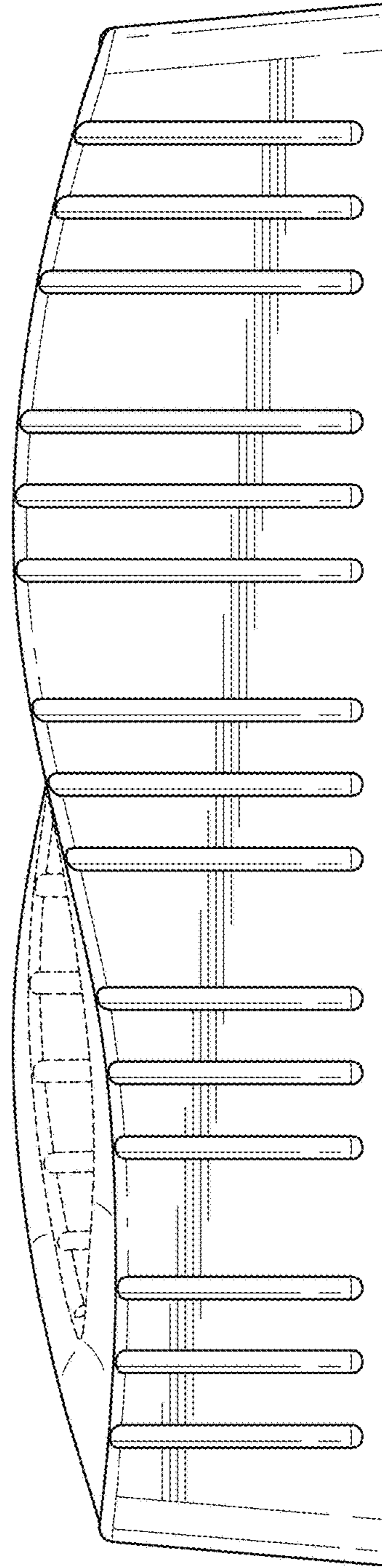


FIG. 11

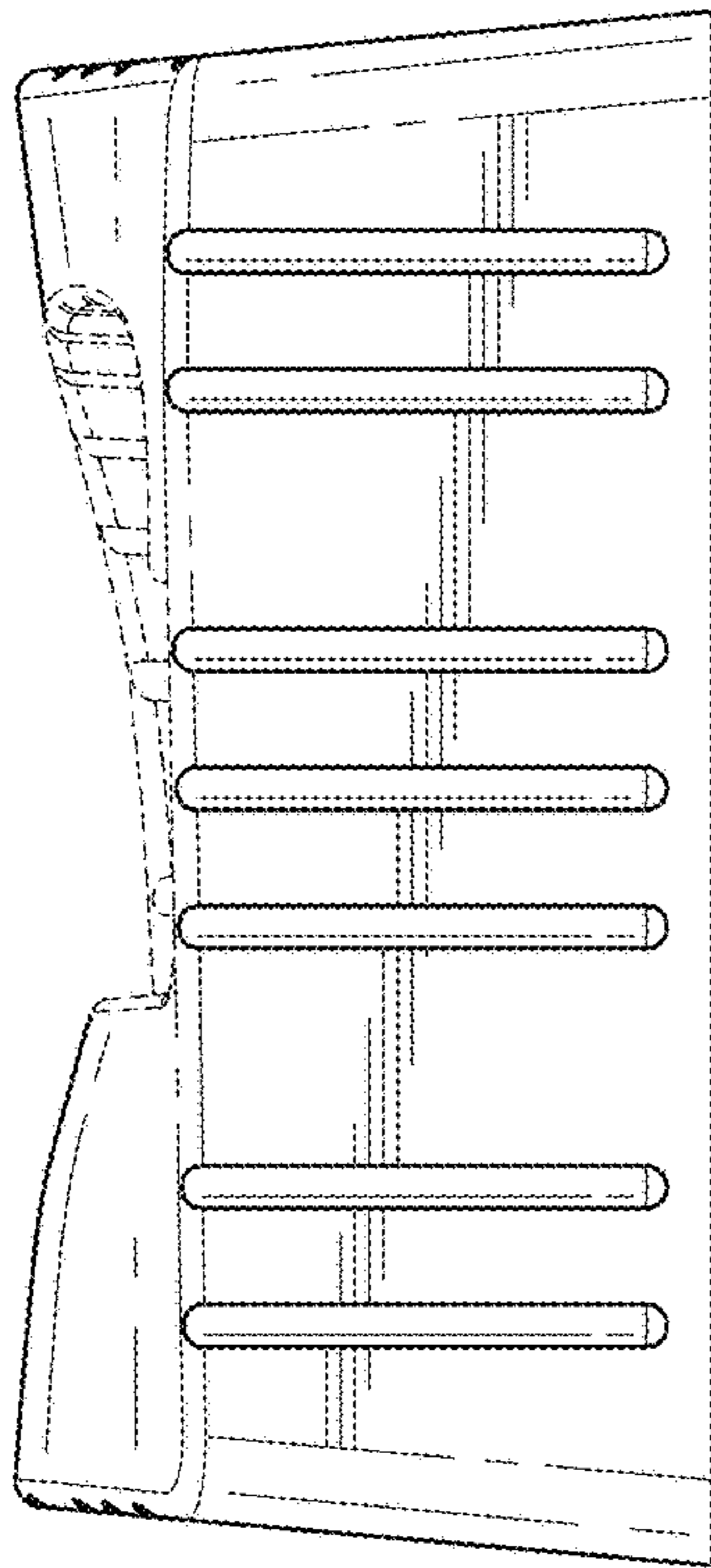


FIG. 12

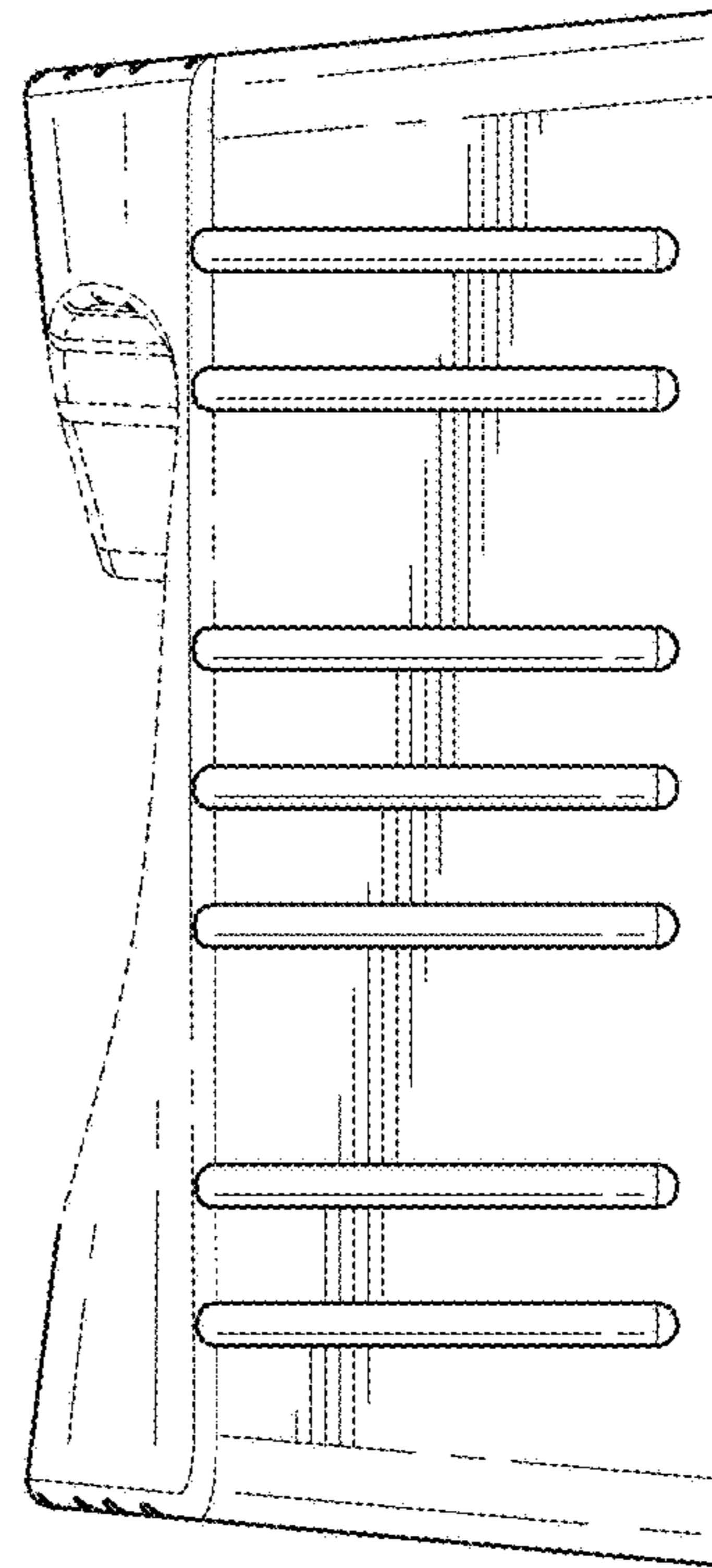


FIG. 13

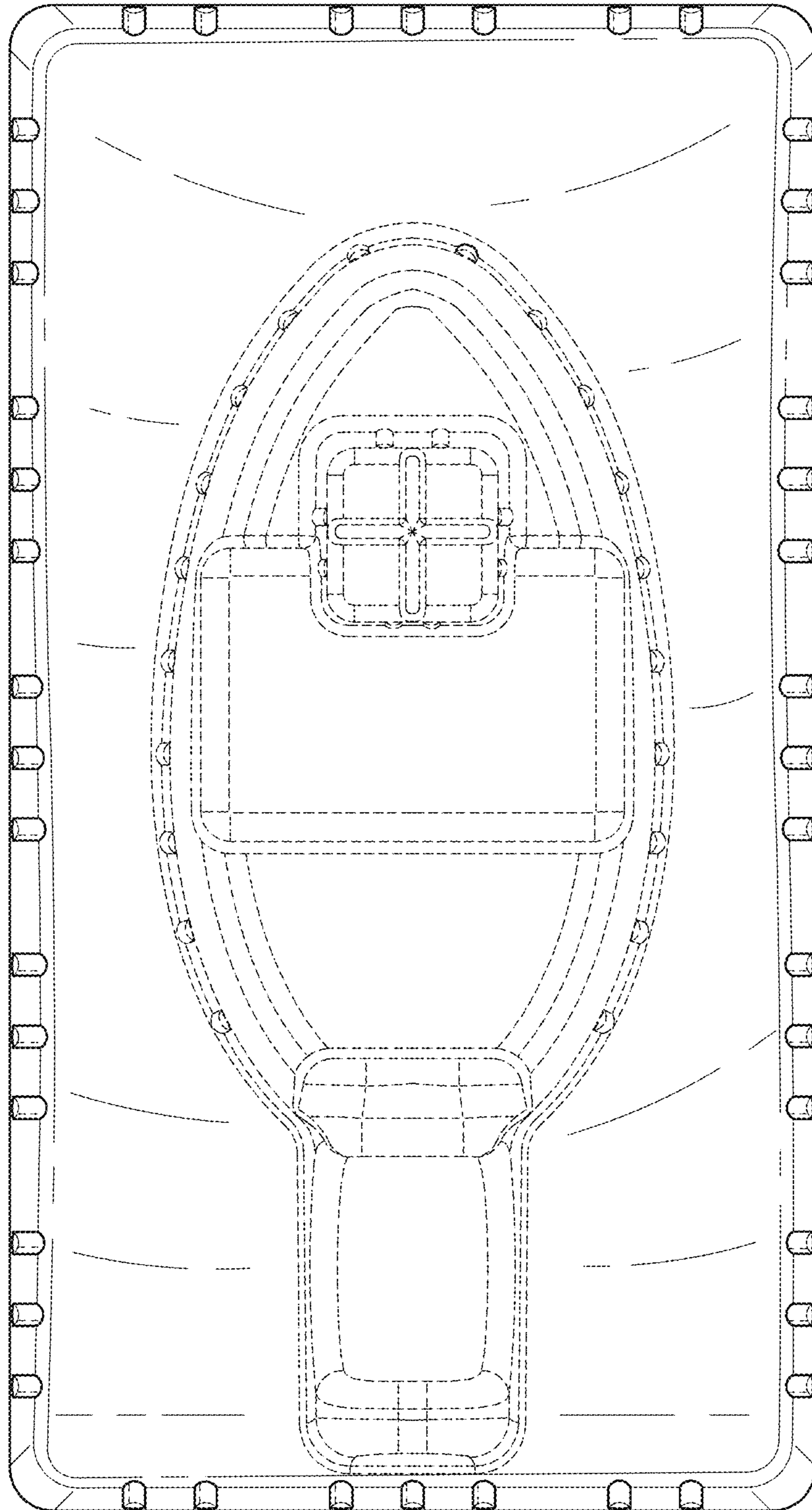


FIG. 14

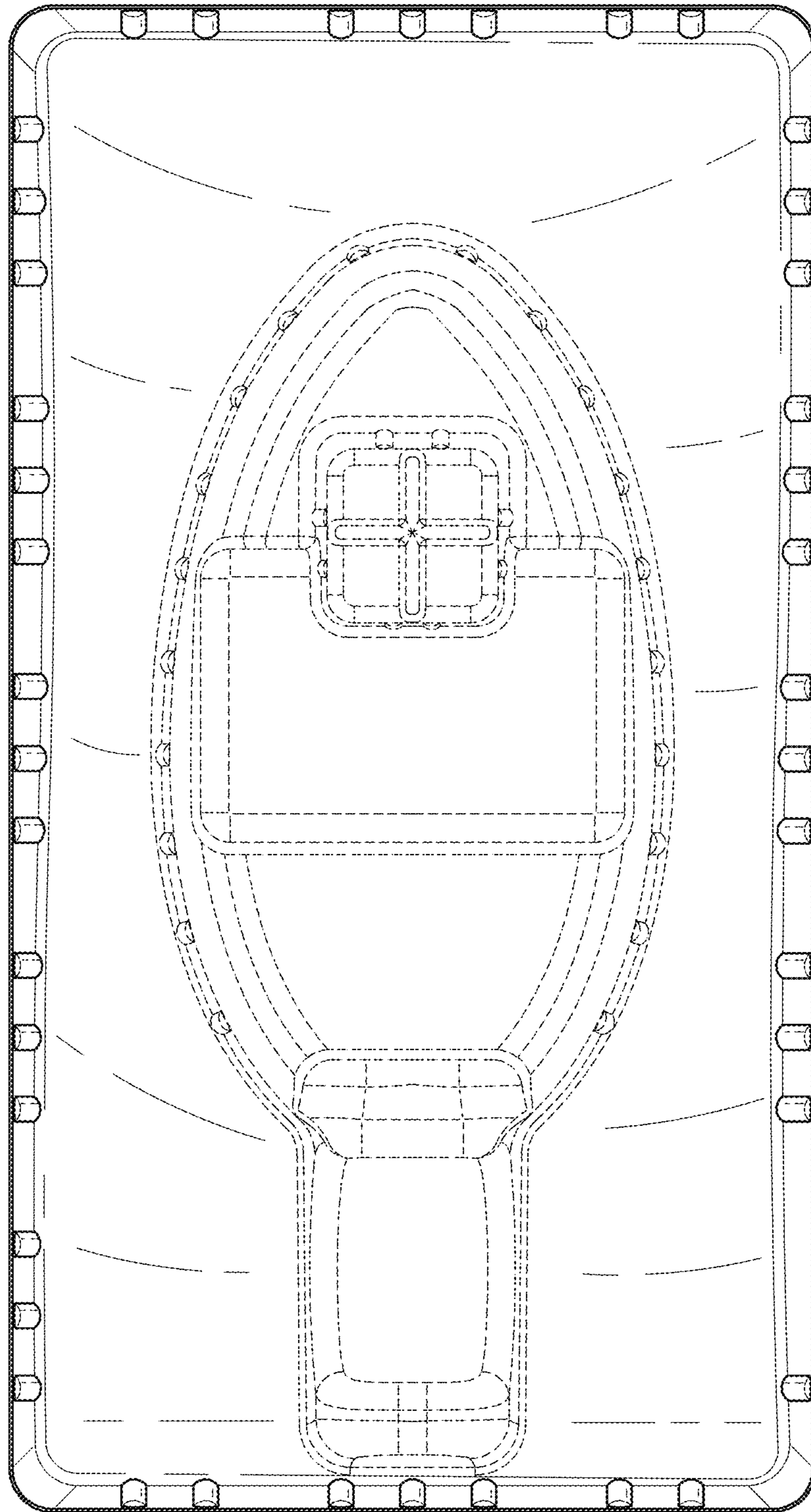


FIG. 15

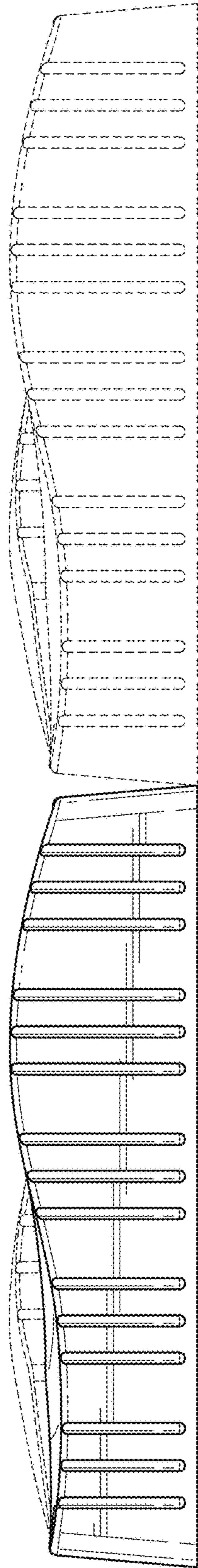


FIG. 16