



US00D818820S

(12) **United States Design Patent**  
**Yuan**

(10) **Patent No.:** **US D818,820 S**

(45) **Date of Patent:** **\*\* May 29, 2018**

(54) **PACKING CASE FOR LOCK DEVICES**

4,319,684 A \* 3/1982 Backman ..... B65B 7/26  
206/464

(71) Applicant: **TAIWAN FU HSING INDUSTRIAL CO., LTD.**, Kaohsiung (TW)

4,512,474 A \* 4/1985 Harding ..... B65D 75/225  
206/461

(72) Inventor: **Shih-Ting Yuan**, Kaohsiung (TW)

D290,344 S \* 6/1987 Toms ..... D9/424

D327,425 S 6/1992 Hamada

D327,426 S 6/1992 Karita

(73) Assignee: **TAIWAN FU HSING INDUSTRIAL CO., LTD.**, Kaohsiung (TW)

D331,011 S \* 11/1992 Karita ..... D9/415

D331,012 S 11/1992 Karita

5,244,092 A \* 9/1993 Karita ..... B41J 2/16505  
206/462

(\*\*) Term: **15 Years**

D521,860 S \* 5/2006 Lee ..... D9/415

D615,395 S \* 5/2010 Jefferies ..... D9/415

(21) Appl. No.: **29/583,619**

8,573,397 B1 \* 11/2013 Fager ..... B65D 71/14  
206/320

(22) Filed: **Nov. 8, 2016**

(Continued)

(30) **Foreign Application Priority Data**

**FOREIGN PATENT DOCUMENTS**

Sep. 10, 2016 (TW) ..... 105305367

EM 0013336860001 7/2012  
EM 0013336860002 7/2012

(51) **LOC (11) Cl.** ..... **09-03**

(Continued)

(52) **U.S. Cl.**

USPC ..... **D9/424**; D9/415

*Primary Examiner* — Lauren R Calve

(74) *Attorney, Agent, or Firm* — Winston Hsu

(58) **Field of Classification Search**

USPC ..... D9/415, 418, 424, 732; D13/103

CPC .... B65D 75/327; B65D 75/36; B65D 75/366;

B65D 75/367; B65D 75/32; B65D

2575/3245; B65D 75/326; B65D

2575/366; B65D 2585/88; B65D 75/322;

B65D 77/2032; B65D 5/4204; B65D

75/22; B65D 77/0413; B65D 5/4208;

B65D 77/02; B65D 25/22; B65D

75/5833; B65D 85/00; B65D 2543/00194;

B65D 2301/20; B65D 2575/3218; B65D

73/0007; B65D 73/0042

See application file for complete search history.

(57) **CLAIM**

The ornamental design for a packing case for lock devices, as shown and described.

**DESCRIPTION**

FIG. 1 is a front, right, top perspective view of a packing case for lock devices showing my new design;

FIG. 2 is a front elevational view thereof;

FIG. 3 is a rear elevational view thereof;

FIG. 4 is a left side elevational view thereof;

FIG. 5 is a right side elevational view thereof;

FIG. 6 is a top plan view thereof; and,

FIG. 7 is a bottom plan view thereof.

The broken lines shown represent unclaimed subject matter and form no part of the claimed design.

(56) **References Cited**

**U.S. PATENT DOCUMENTS**

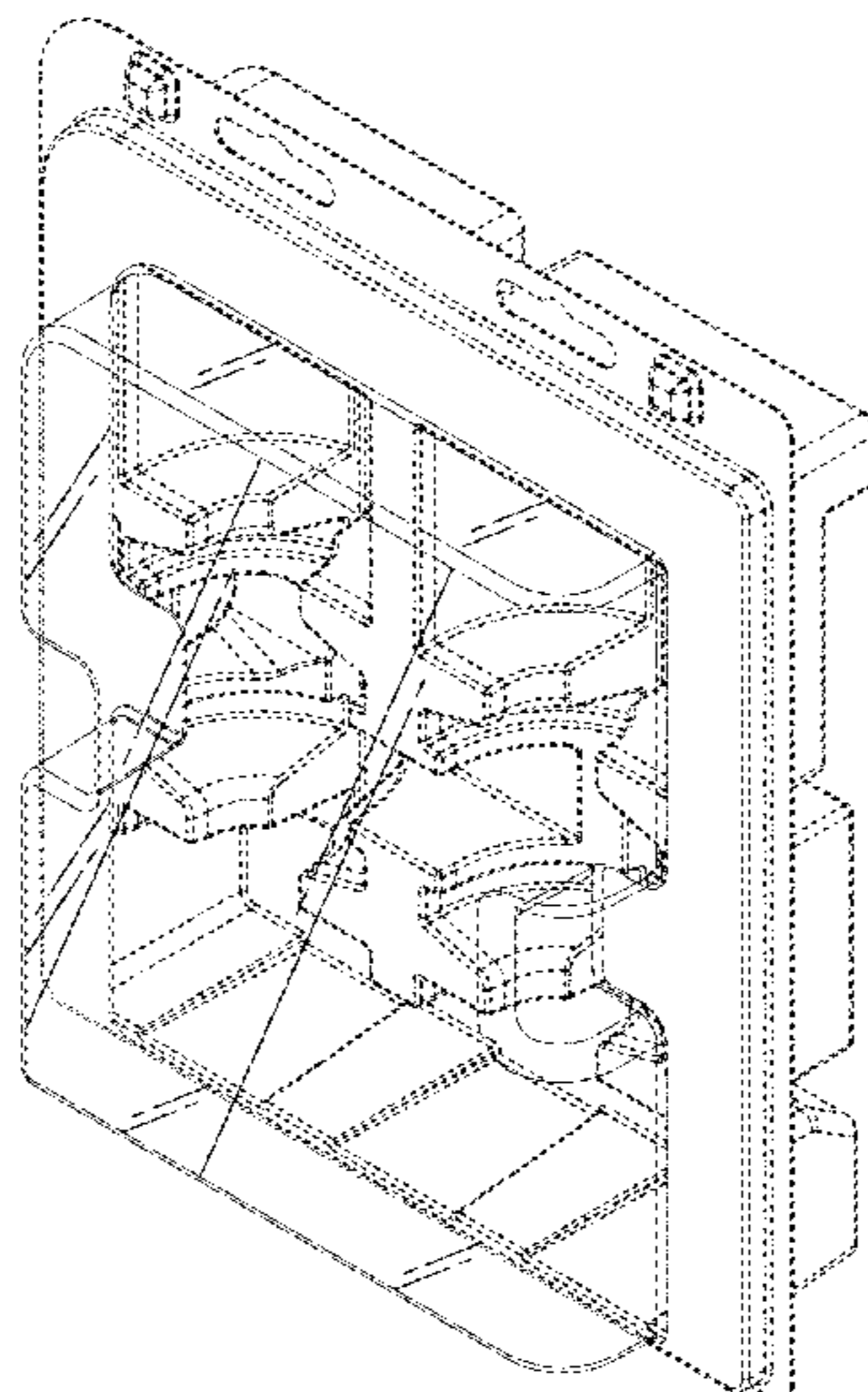
D167,977 S \* 10/1952 Francis ..... D9/414

D175,541 S \* 9/1955 Francis ..... D9/426

3,338,400 A \* 8/1967 Edgworth ..... A61B 17/06133

206/363

**1 Claim, 6 Drawing Sheets**



(56)

**References Cited**

U.S. PATENT DOCUMENTS

D703,544 S \* 4/2014 Limback ..... D9/652  
9,701,449 B2 \* 7/2017 Jacobus ..... B65D 75/368  
2010/0314275 A1 \* 12/2010 Sconzert ..... B65D 75/22  
206/459.1

FOREIGN PATENT DOCUMENTS

EM 0013336860003 7/2012  
JP D1476694 8/2013  
KR 300705716 8/2013

\* cited by examiner

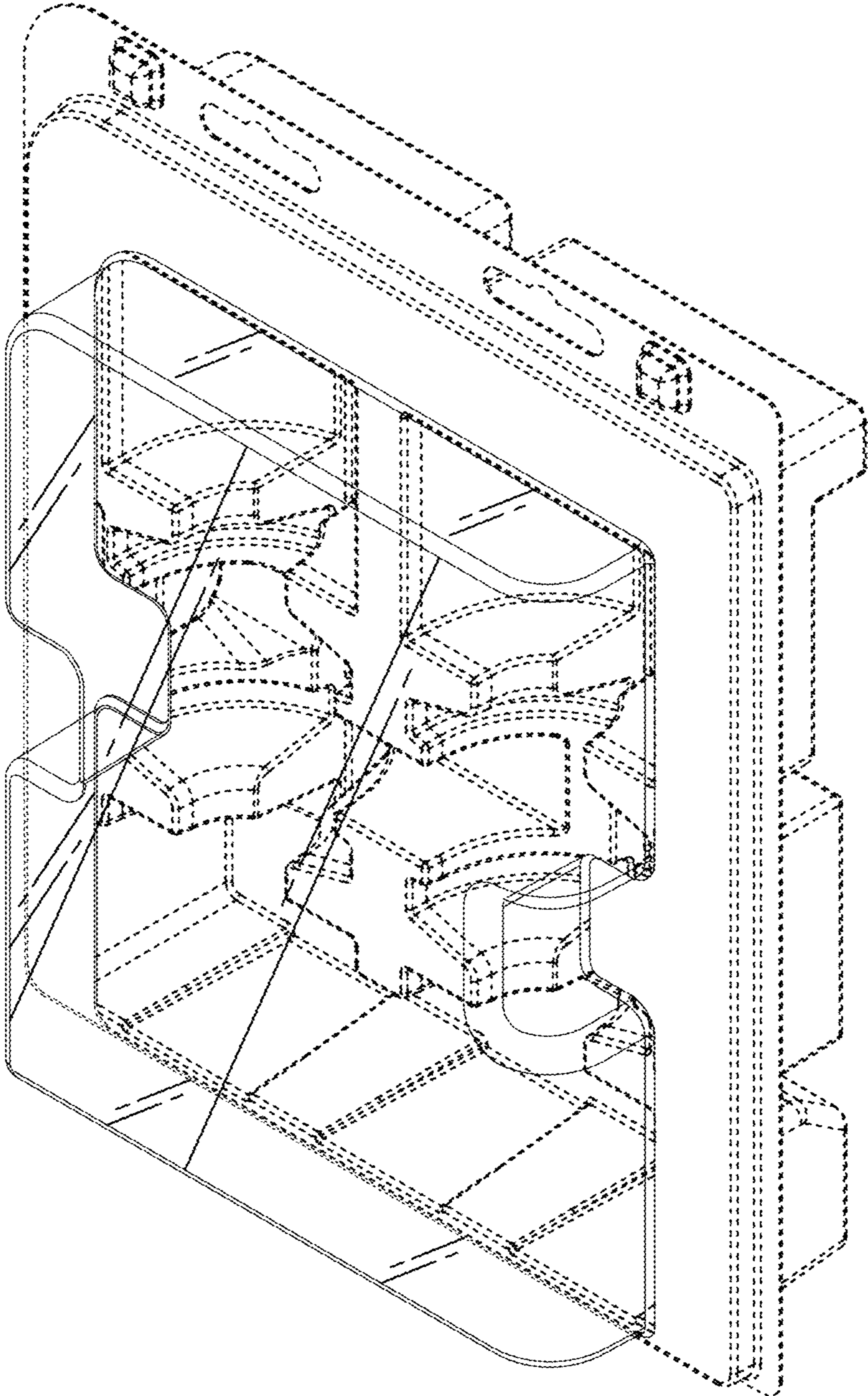


FIG. 1

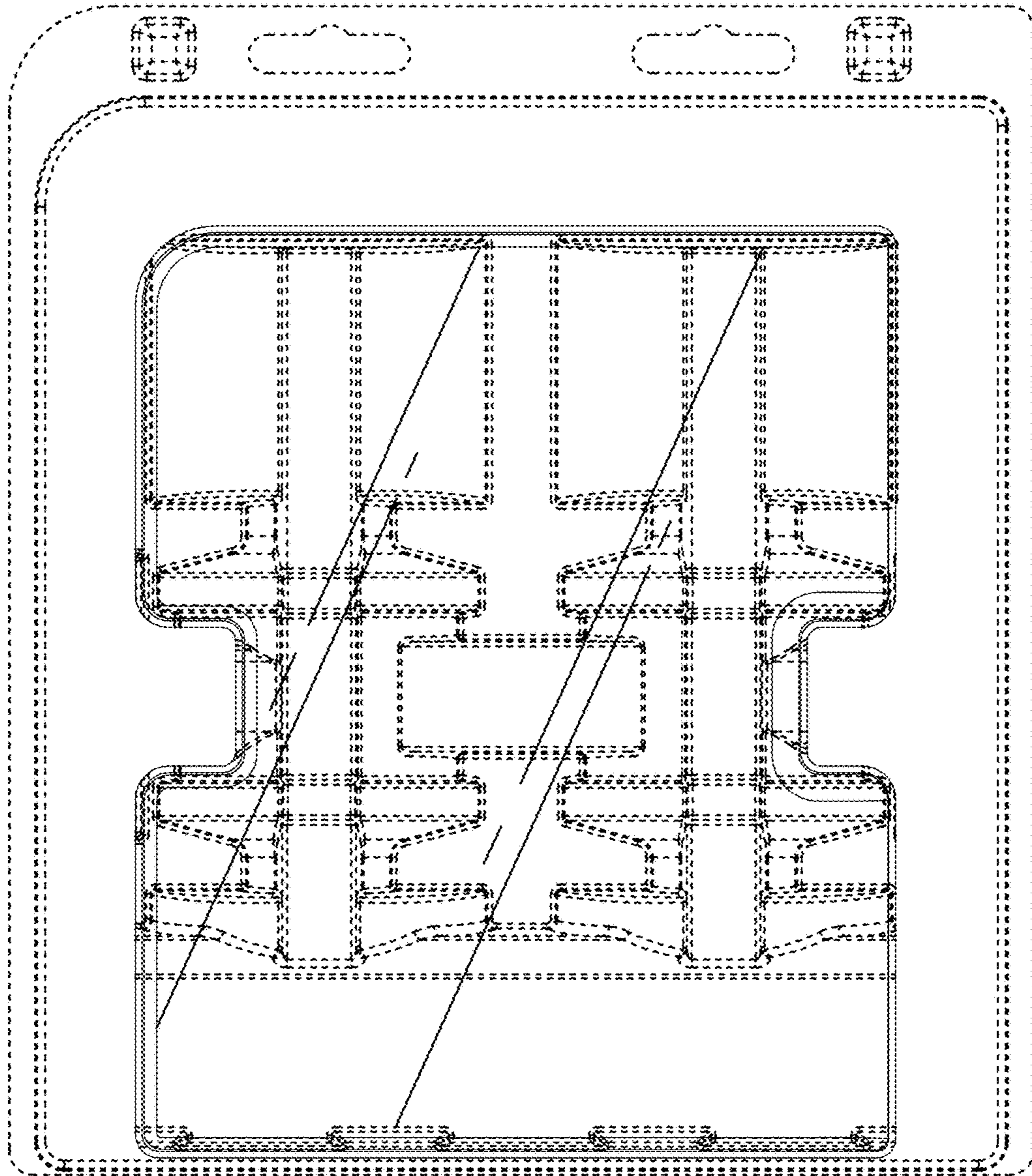


FIG. 2

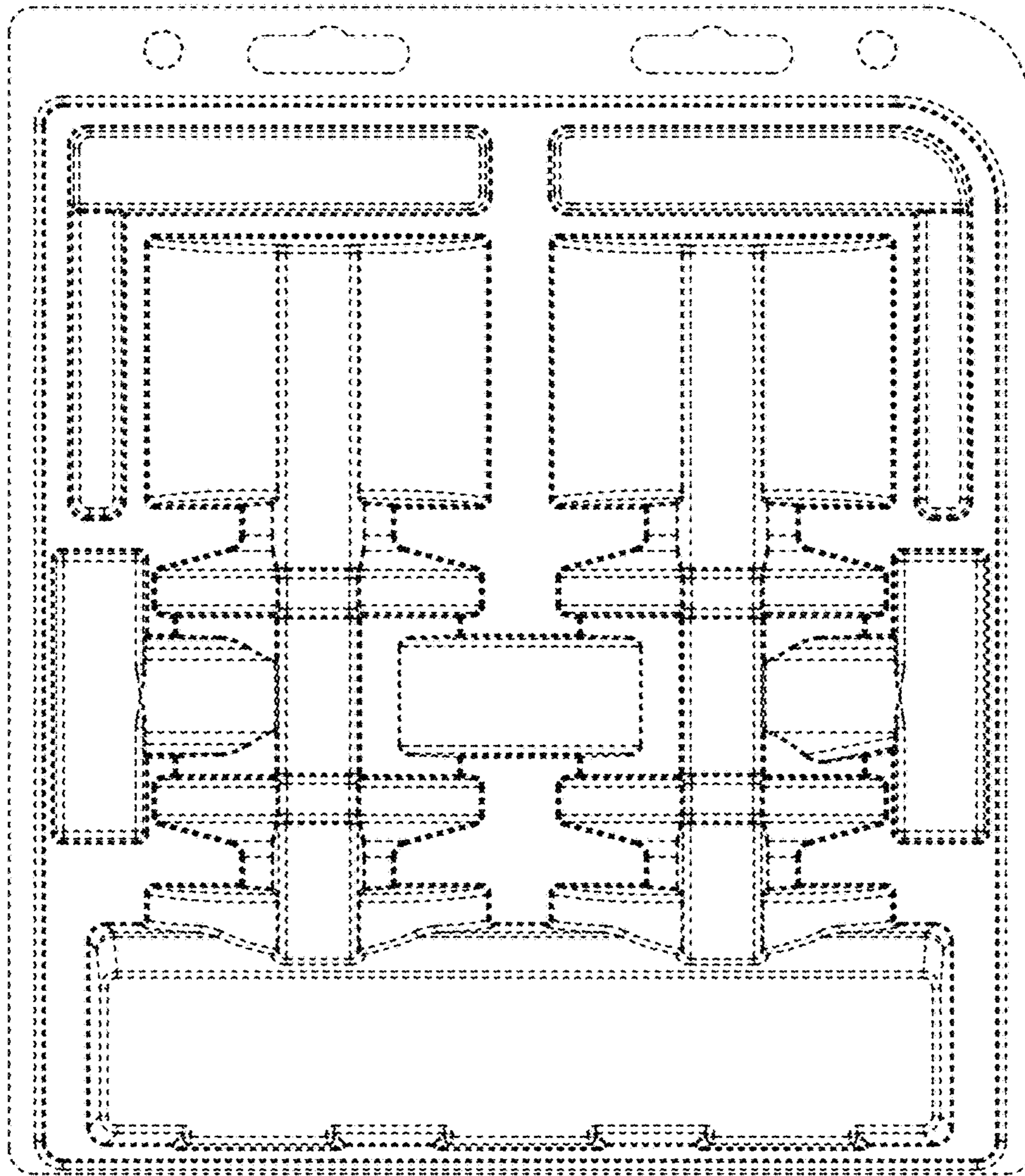


FIG. 3

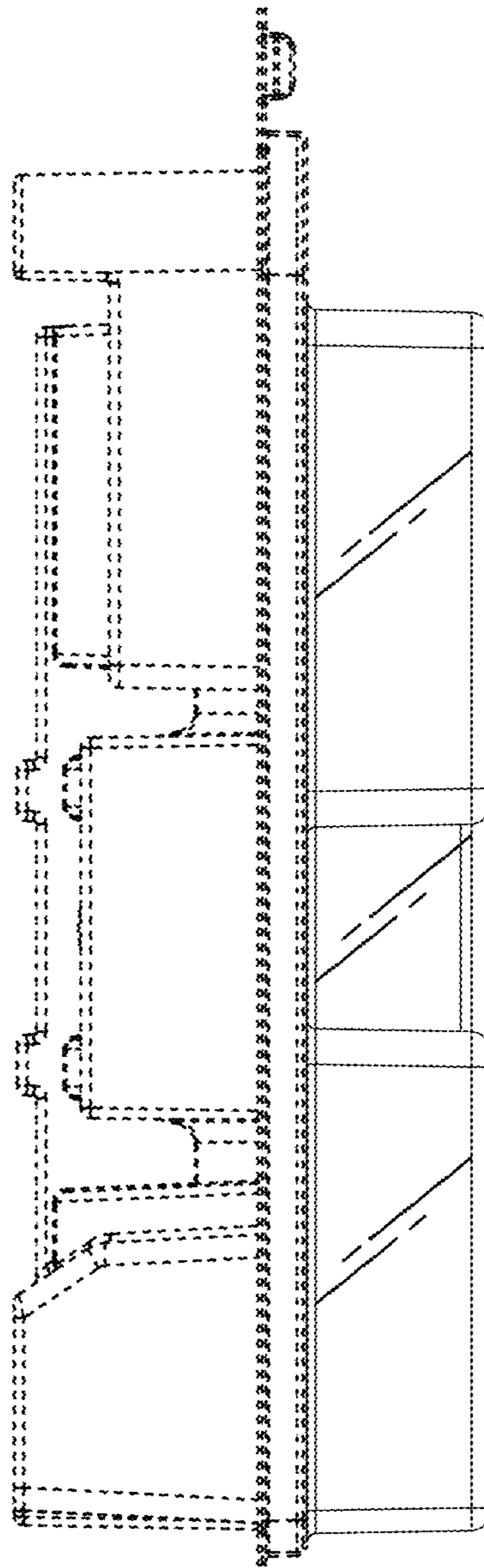


FIG. 4

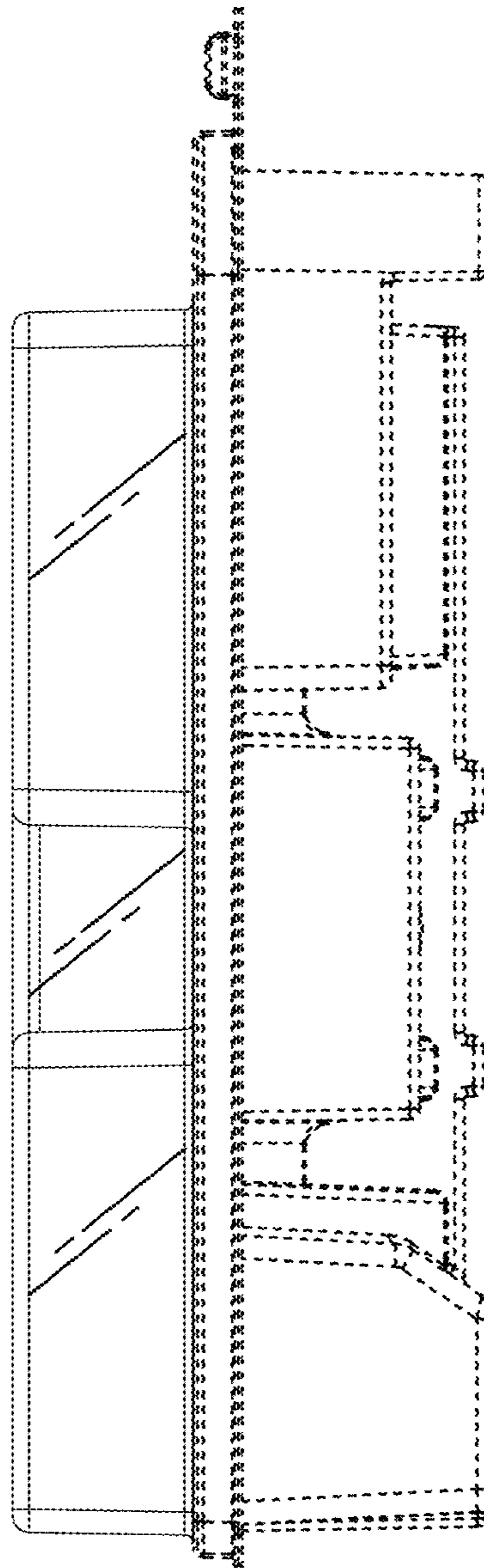


FIG. 5

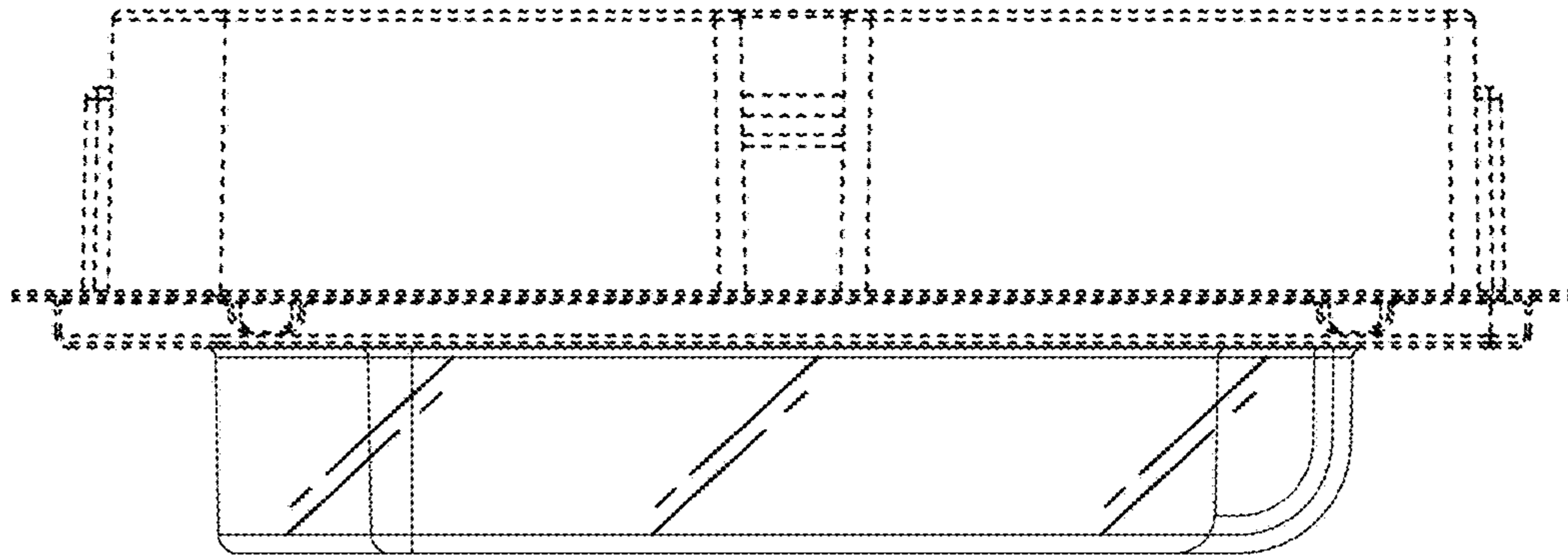


FIG. 6

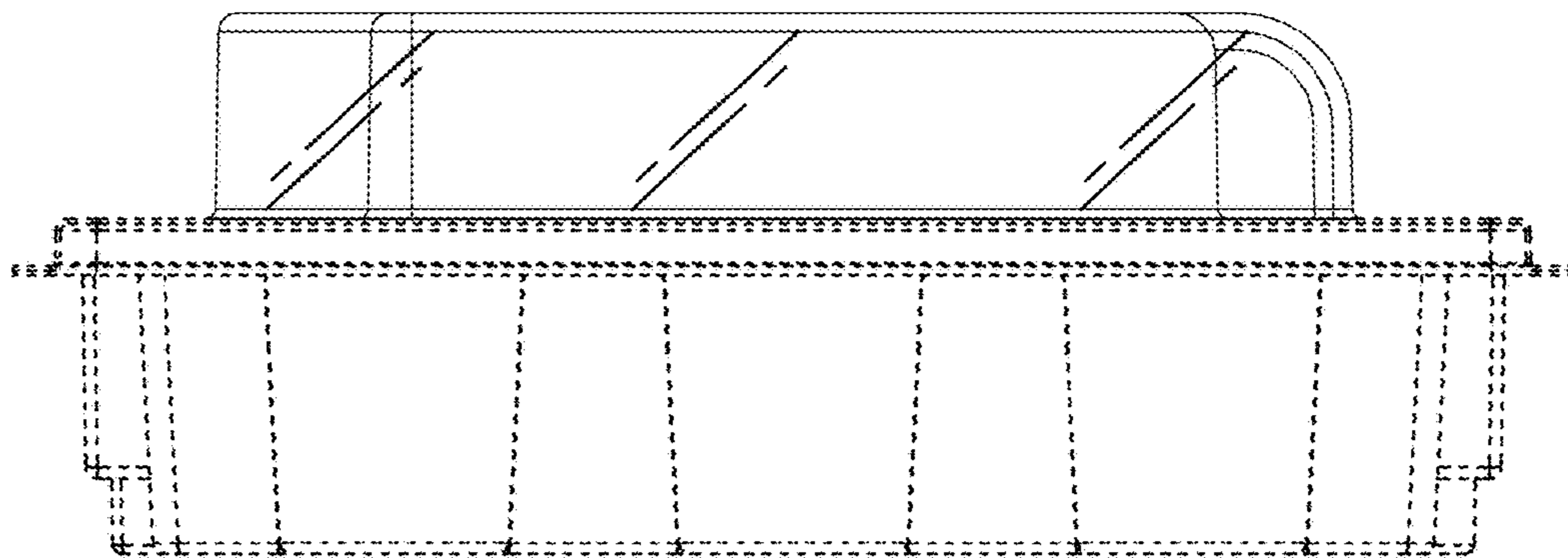


FIG. 7