



US00D818819S

(12) **United States Design Patent** (10) **Patent No.:** **US D818,819 S**  
**Buck** (45) **Date of Patent:** **\*\* May 29, 2018**

(54) **FOOD CONTAINER**  
(71) Applicant: **Ronald Mark Buck**, Encinitas, CA (US)  
(72) Inventor: **Ronald Mark Buck**, Encinitas, CA (US)  
(73) Assignee: **SNACKTOPS, INC.**, Carlsbad, CA (US)  
(\*\*) Term: **15 Years**  
(21) Appl. No.: **29/542,068**  
(22) Filed: **Oct. 9, 2015**  
(51) **LOC (11) Cl.** ..... **09-03**  
(52) **U.S. Cl.**  
USPC ..... **D9/416**  
(58) **Field of Classification Search**  
USPC ..... D9/414-418, 428, 429, 756, 424, 425, D9/426; D3/273, 303; D7/629, 543; D32/53; D24/101, 204, 231  
CPC ..... B65D 77/2056; B65D 23/10  
See application file for complete search history.

D753,480 S \* 4/2016 Paton ..... D9/416  
D753,482 S \* 4/2016 Serrano ..... D9/428  
D757,535 S \* 5/2016 Lo Faro ..... D9/429  
D758,884 S \* 6/2016 Butler ..... D9/756  
D764,270 S \* 8/2016 Paton ..... D9/416  
D766,079 S \* 9/2016 Shiffer ..... D9/428  
D769,709 S \* 10/2016 Harrington ..... D9/424

(Continued)

*Primary Examiner* — Rhea Shields  
(74) *Attorney, Agent, or Firm* — Manuel de la Cerra

(57) **CLAIM**

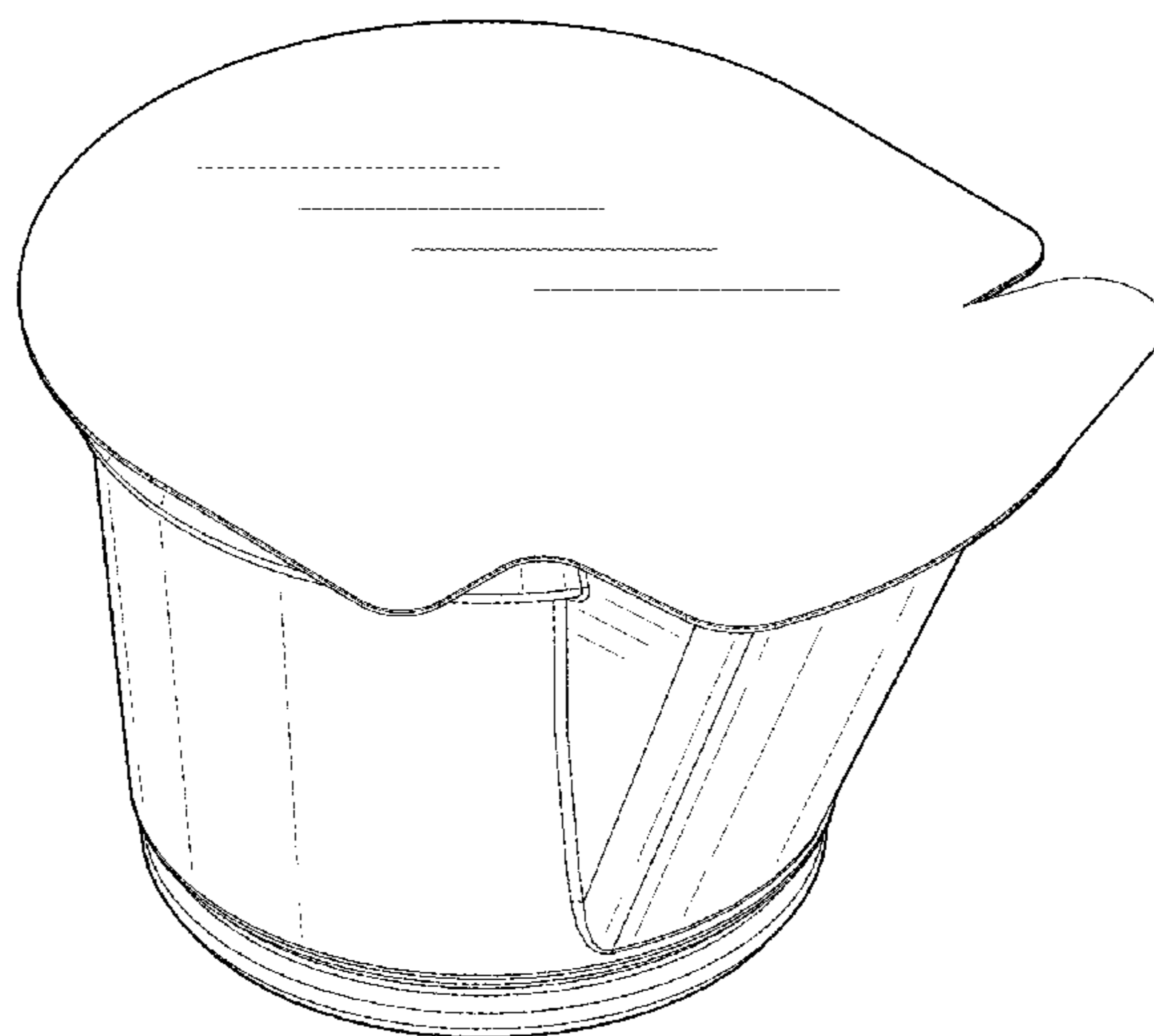
The ornamental design for a food container, as shown and described.

**DESCRIPTION**

FIG. 1 is a top perspective view of a first embodiment of the food container, showing my new design;  
FIG. 2 is a bottom perspective view thereof;  
FIG. 3 is a top perspective view of a second embodiment of the food container;  
FIG. 4 is a bottom perspective view thereof;  
FIG. 5 is a top perspective view of a third embodiment of the food container;  
FIG. 6 is a bottom perspective view thereof;  
FIG. 7 is a top perspective view of the first embodiment shown in an environment;  
FIG. 8 is a bottom perspective view thereof;  
FIG. 9 is another top perspective view thereof;  
FIG. 10 is another bottom perspective view thereof;  
FIG. 11 is a top view of the first embodiment;  
FIG. 12 is a bottom view thereof;  
FIG. 13 is a front view thereof;  
FIG. 14 is a rear view thereof; and,  
FIG. 15 is a left side view thereof, the right side view being a mirror image thereof.  
In the drawings, the broken lines are for the purpose of illustrating environment only and form no part of the claimed design.

**1 Claim, 11 Drawing Sheets**

(56) **References Cited**  
U.S. PATENT DOCUMENTS  
D411,741 S \* 6/1999 Wilson ..... D7/629  
D493,035 S \* 7/2004 Bergman ..... D3/304  
D520,185 S \* 5/2006 Zeng ..... D24/101  
D546,514 S \* 7/2007 Byrne ..... D32/53  
D552,423 S \* 10/2007 Friedland ..... D7/543  
D610,448 S \* 2/2010 Drozek ..... D9/424  
D610,697 S \* 2/2010 Tran ..... D24/204  
D669,738 S \* 10/2012 Chen ..... D7/543  
D710,701 S \* 8/2014 Lai ..... D24/123  
D735,574 S \* 8/2015 Brady ..... D9/428  
D736,615 S \* 8/2015 O'Brien ..... D9/417  
D740,122 S \* 10/2015 Rathbone ..... D9/529  
D745,386 S \* 12/2015 Covey ..... D9/416  
D747,187 S \* 1/2016 Cochran ..... D9/416



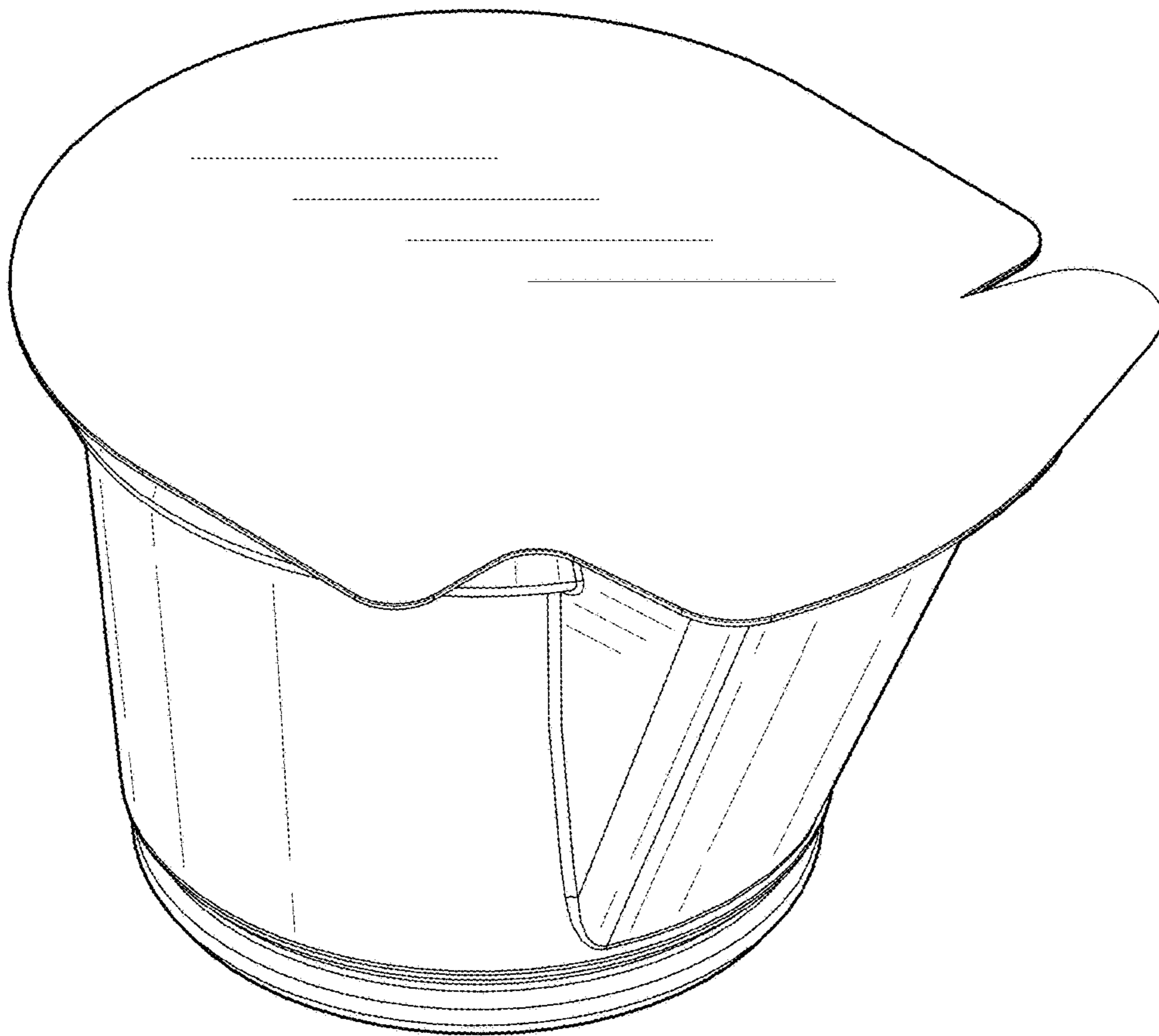
(56)

**References Cited**

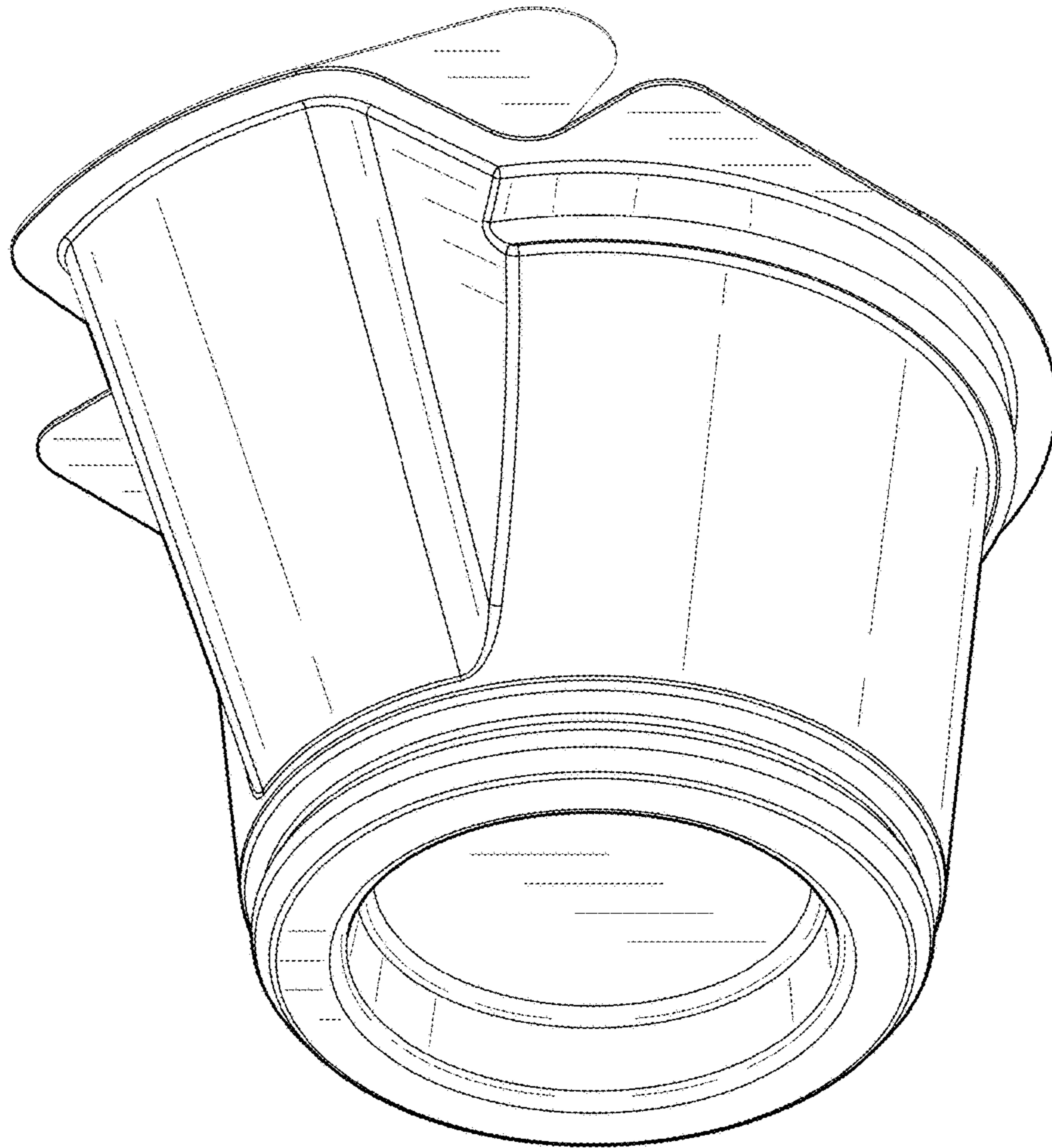
U.S. PATENT DOCUMENTS

D786,667 S \* 5/2017 Kim ..... D9/429  
9,656,780 B1 \* 5/2017 Crawford ..... B65D 77/2056  
D793,857 S \* 8/2017 Rice ..... D9/425  
D796,318 S \* 9/2017 Buck ..... D9/428  
D798,143 S \* 9/2017 Chatterton ..... D9/425  
D801,046 S \* 10/2017 Bores ..... D3/273  
D801,806 S \* 11/2017 Pickard ..... D9/425  
D805,404 S \* 12/2017 Zaini ..... D9/761  
2016/0244237 A1 \* 8/2016 Hentzel ..... B65D 23/10

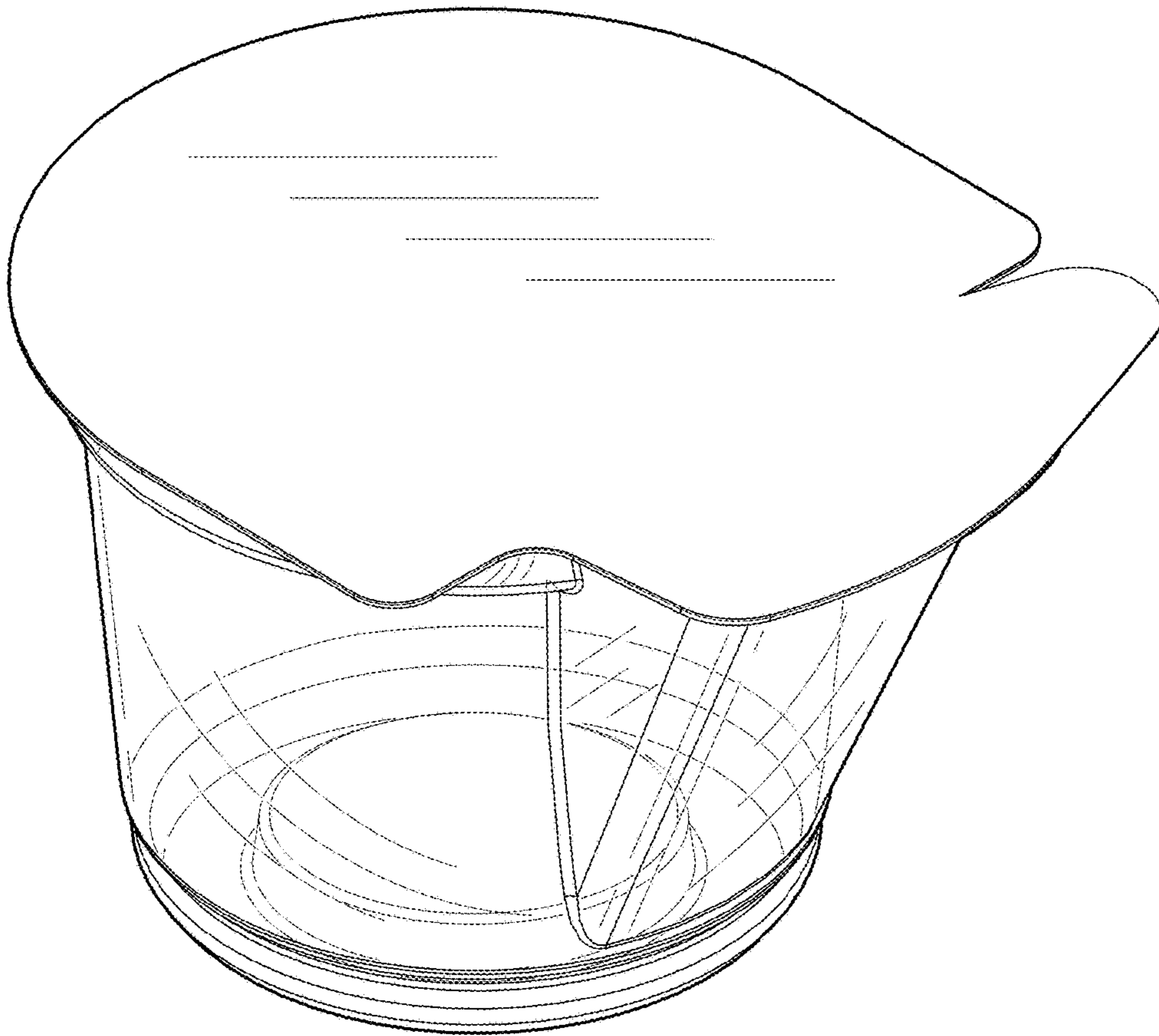
\* cited by examiner



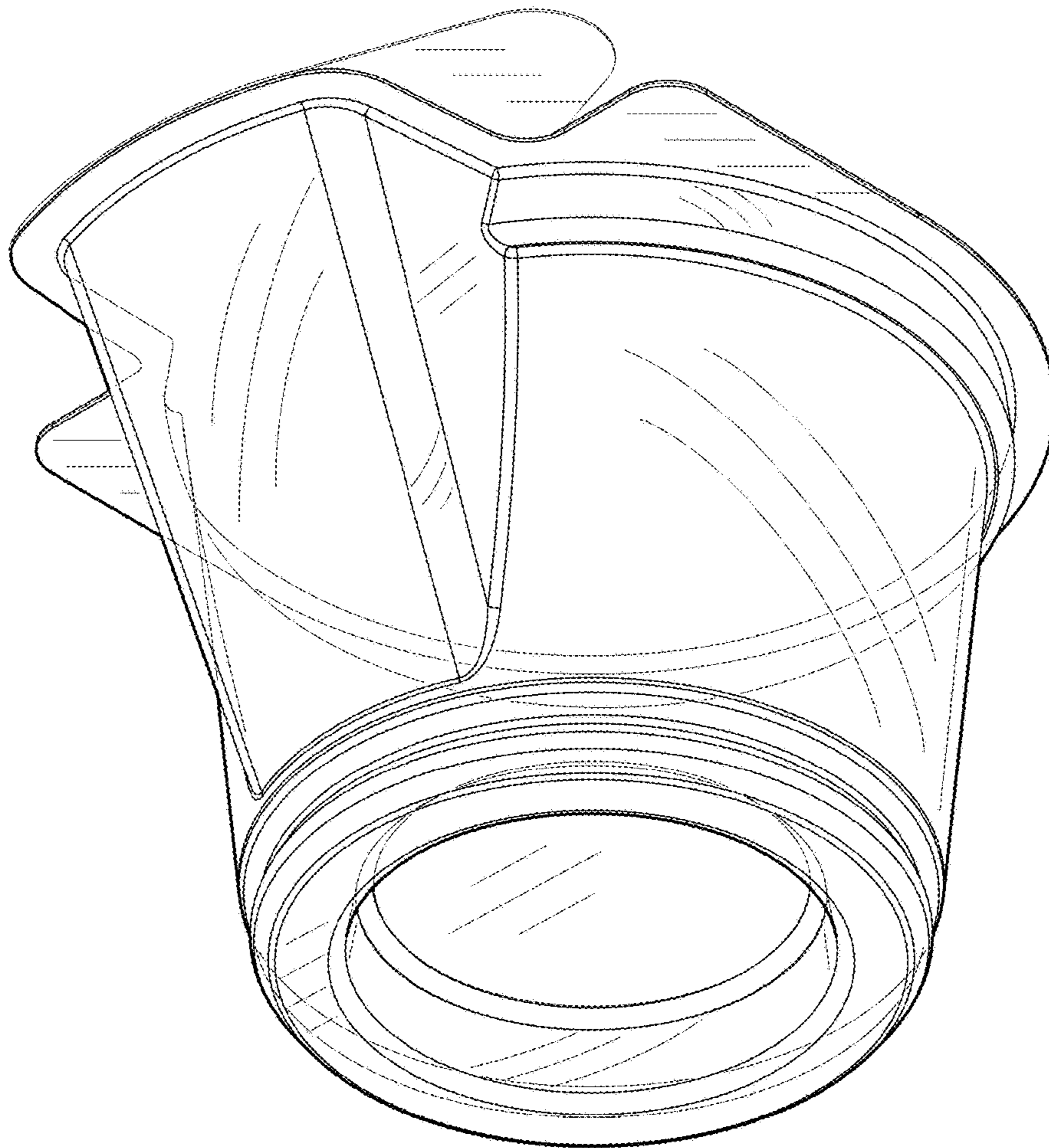
*FIG. 1*



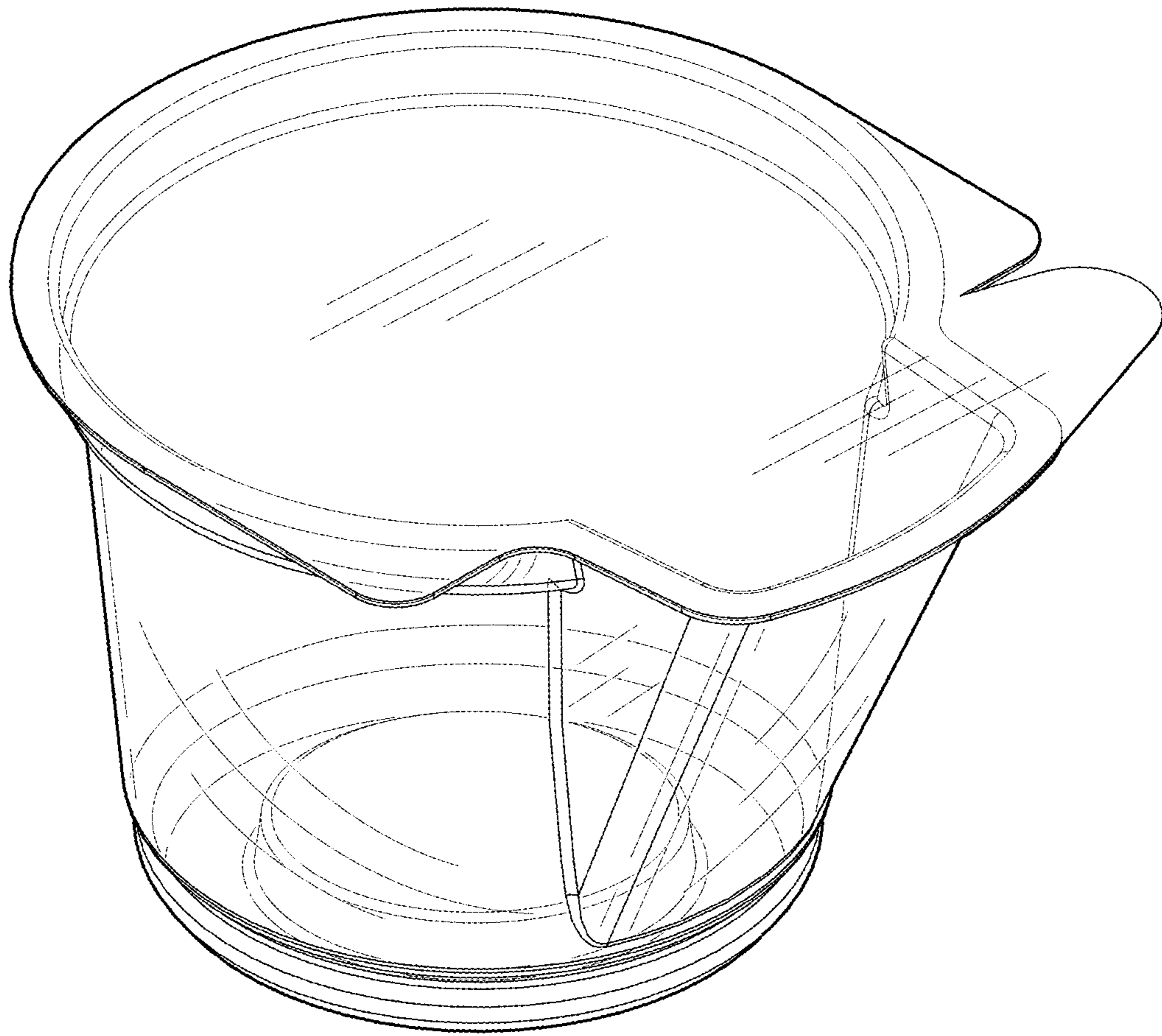
*FIG. 2*



*FIG. 3*



*FIG. 4*



**FIG. 5**

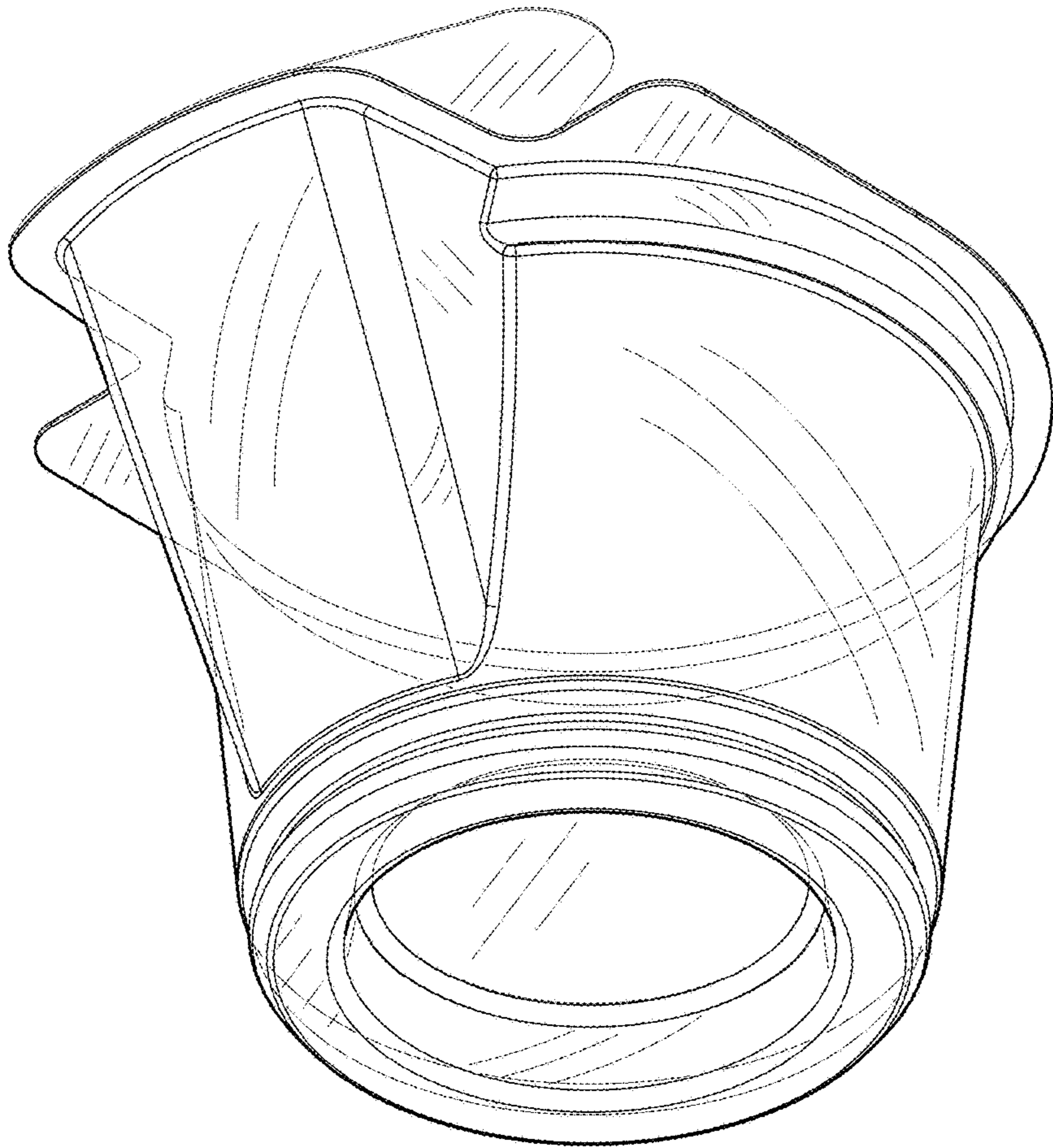


FIG. 6



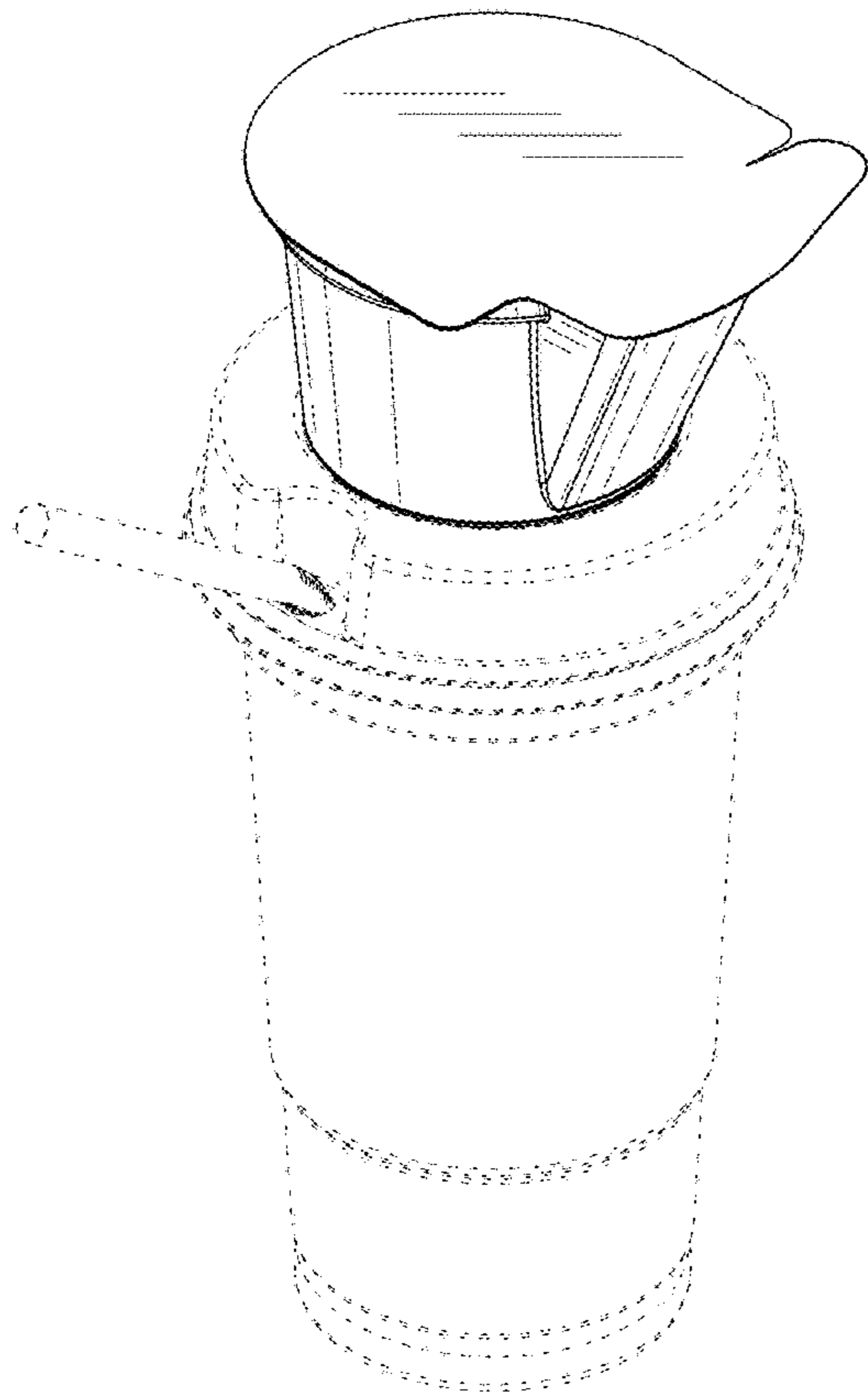


FIG. 7

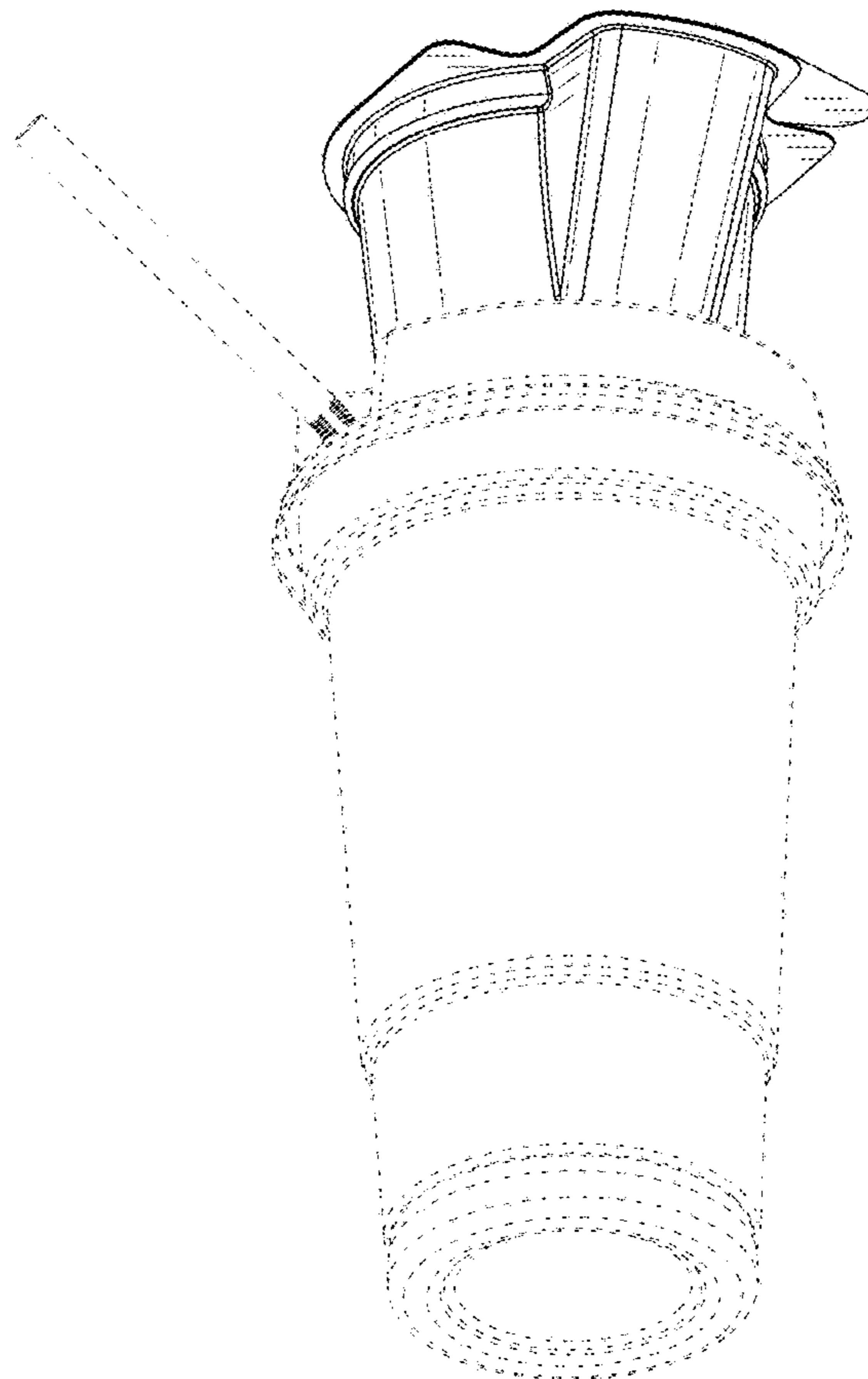


FIG. 8

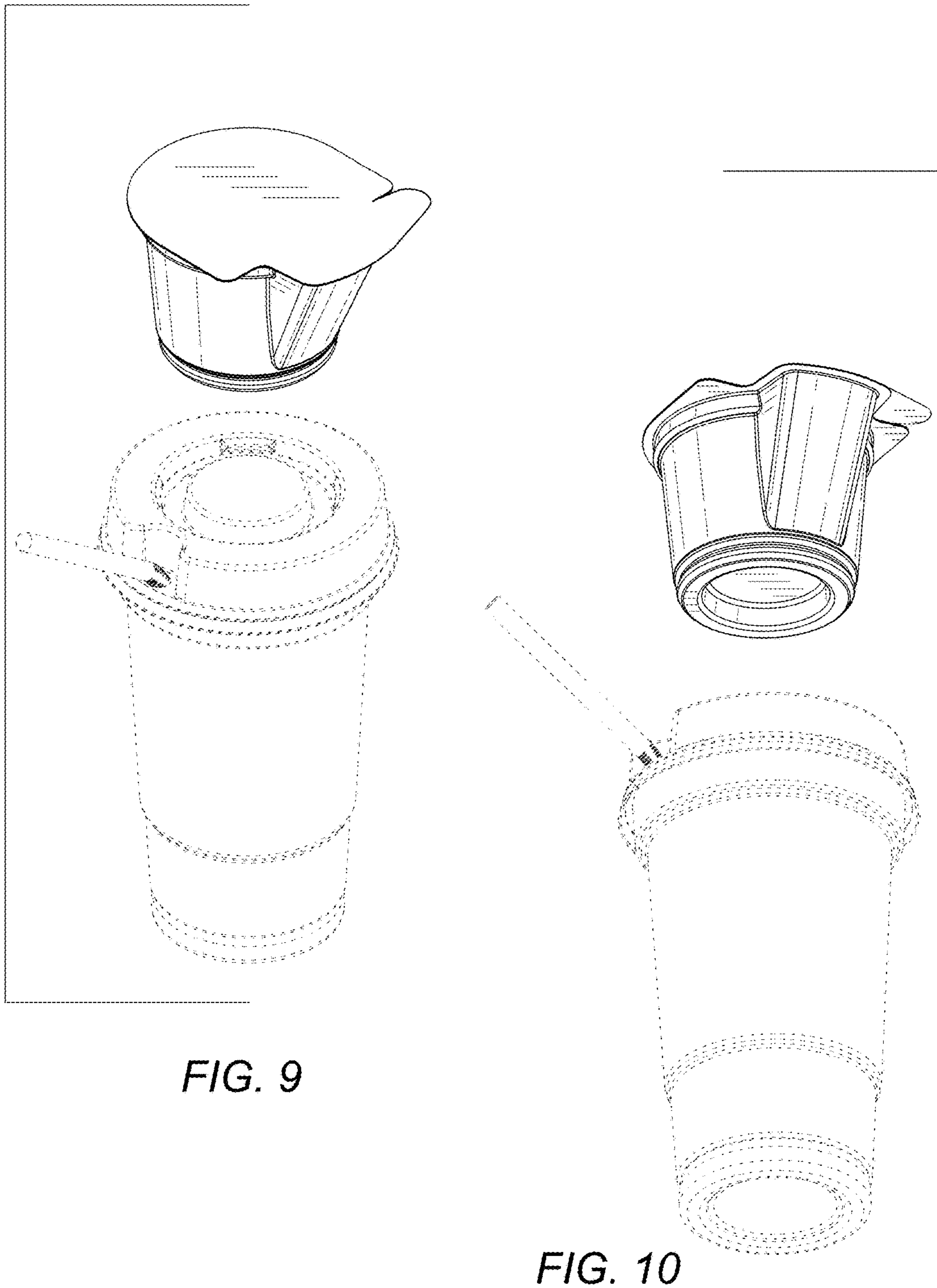
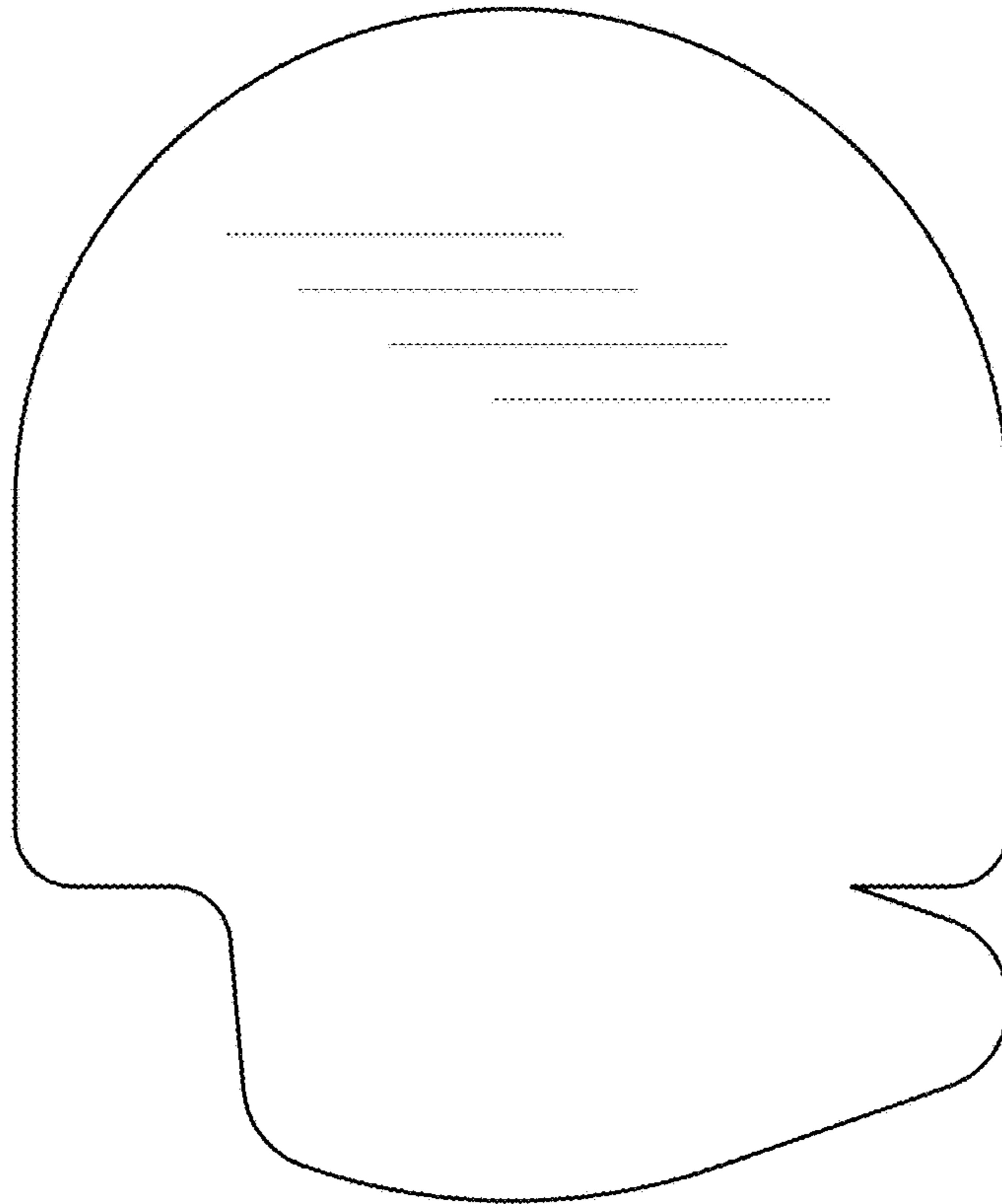


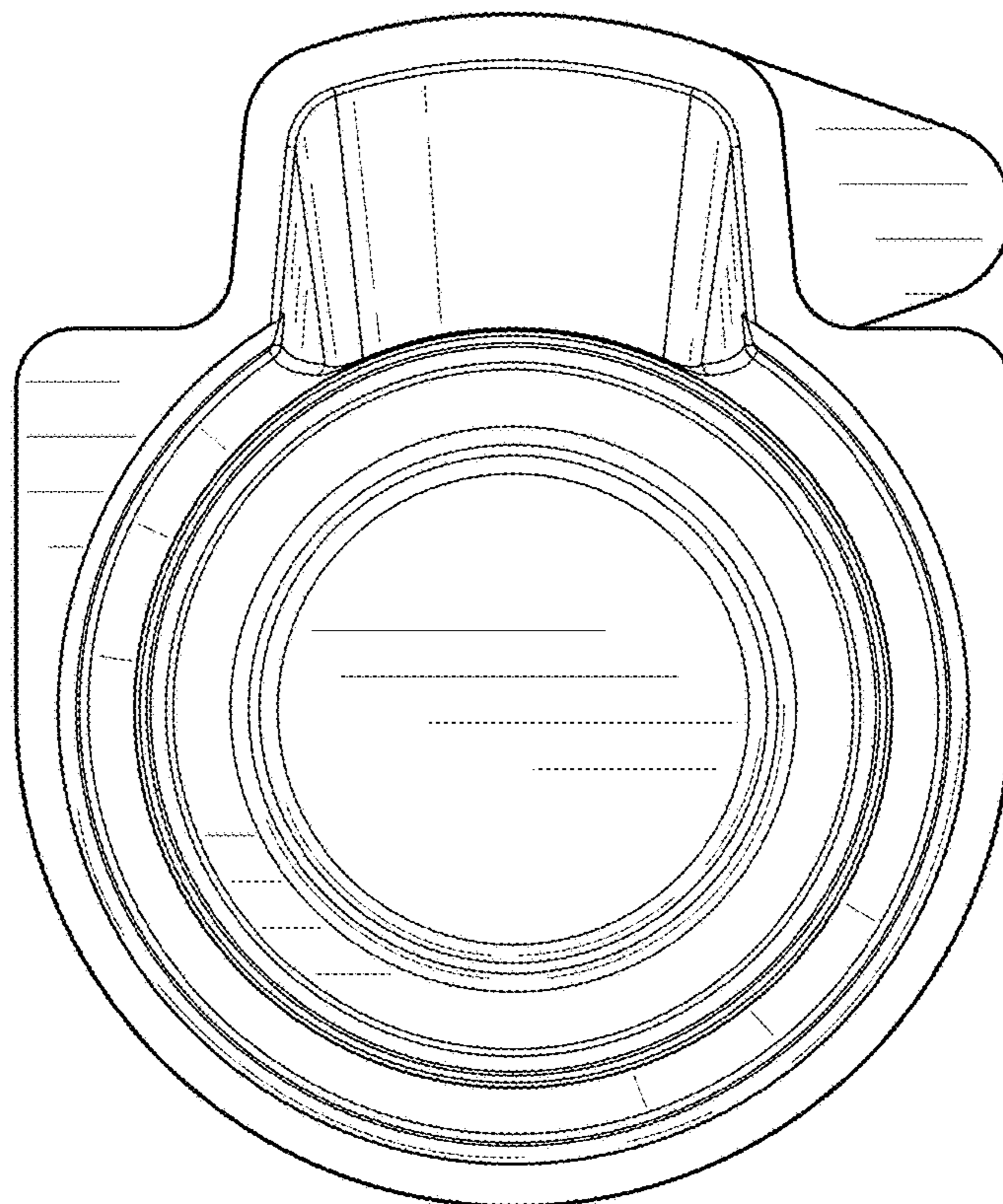
FIG. 9

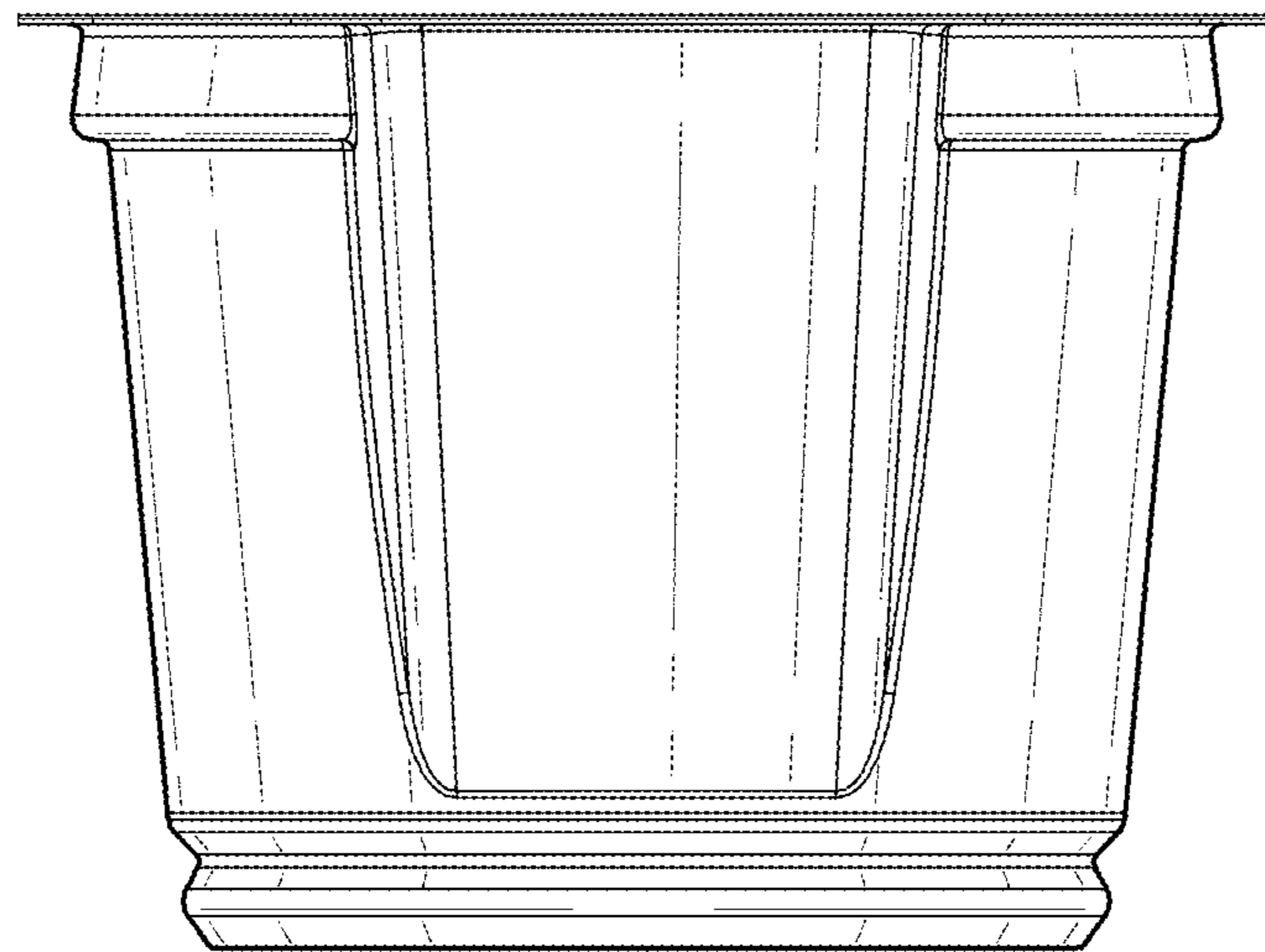
FIG. 10

*FIG. 11*

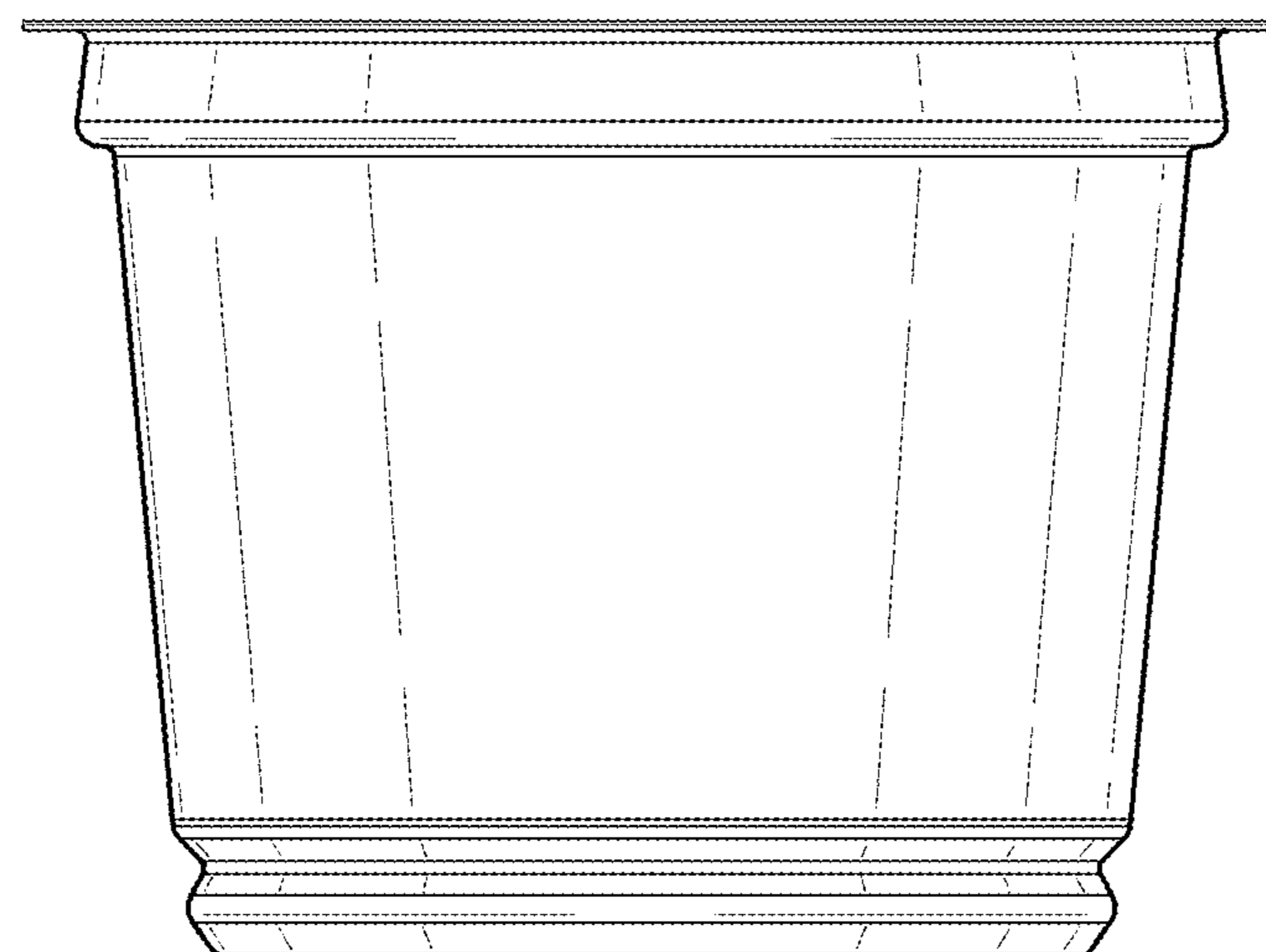


*FIG. 12*

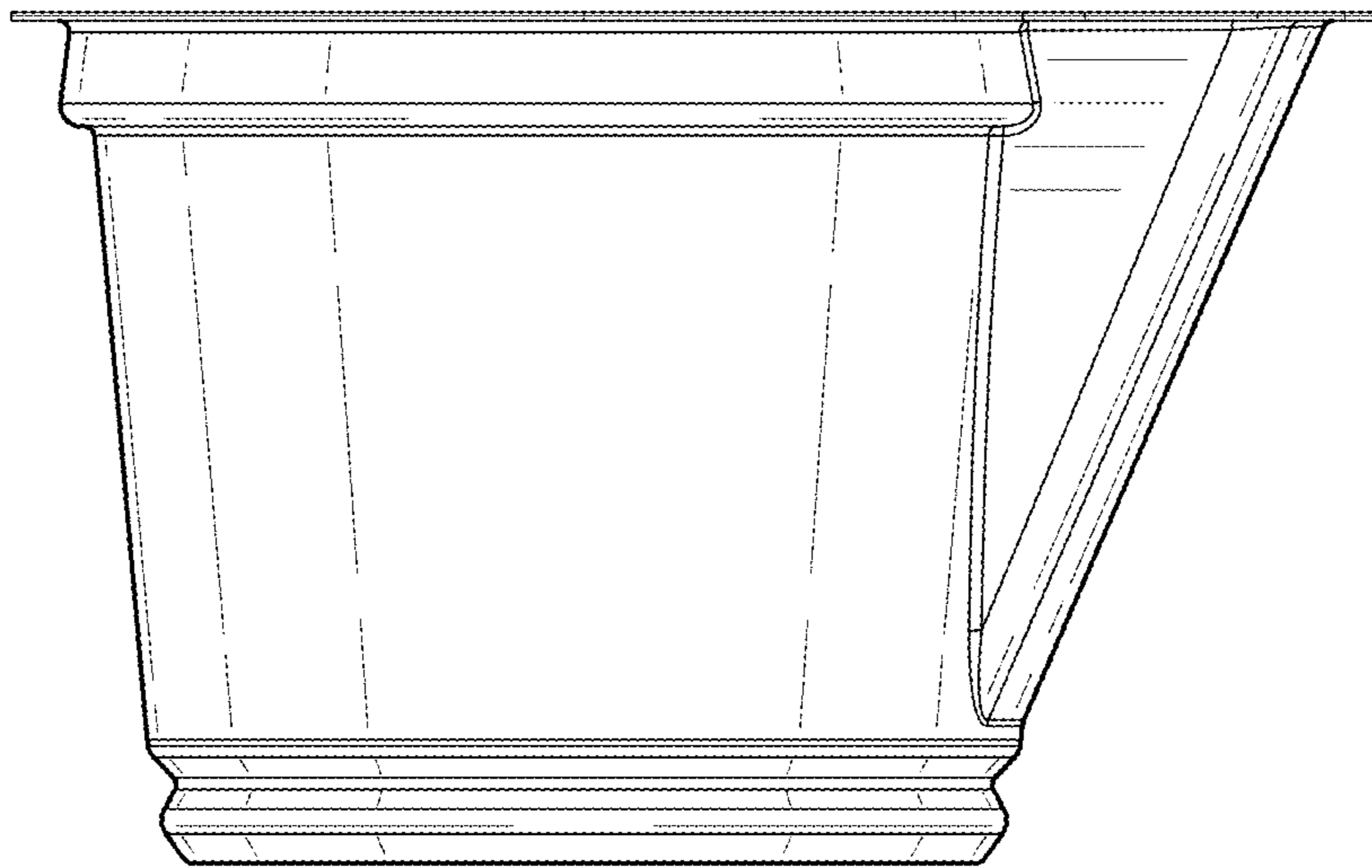




*FIG. 13*



*FIG. 14*



*FIG. 15*