



US00D818818S

(12) **United States Design Patent** (10) **Patent No.:** **US D818,818 S**
Debnath et al. (45) **Date of Patent:** **** May 29, 2018**

(54) **PACKAGE**

- (71) Applicant: **GlaxoSmithKline Consumer Healthcare Holdings, US, LLC**,
Wilmington, DE (US)
- (72) Inventors: **Gautam Debnath**, Warren, NJ (US);
Jeffrey Scott Brunner, Warren, NJ (US)
- (73) Assignee: **GlaxoSmithKline Consumer Healthcare Holdings, US, LLC**,
Wilmington, DE (US)
- (**) Term: **15 Years**
- (21) Appl. No.: **29/591,017**
- (22) Filed: **Jan. 16, 2017**
- (51) **LOC (11) Cl.** **09-03**
- (52) **U.S. Cl.**
USPC **D9/415**
- (58) **Field of Classification Search**
USPC D9/414, 415, 423, 424, 425, 430, 737;
D7/400, 553.1, 553.2, 554.3, 545, 555,
D7/601, 602, 629, 630
CPC B65D 2543/00296; B65D 2543/00092;
B65D 85/8043; B65D 43/0212; B65D
1/0223; B65D 2543/00509; B65D
2543/00731; B65D 25/04; B65D
2543/00805; B65D 85/72; B65D 1/34;
B65D 81/3453; B65D 2543/00027; B65D
2543/00648; B65D 2543/00972; B65D
85/73; B65D 2543/00416; B65D
2543/00694; B65D 2543/00759; B65D
1/0207; B65D 81/3205; B65D
2519/00288; B65D 2519/00034; B65D
2519/00069; B65D 25/08; B65D 1/24;
B65D 2519/00174; B65D 2519/00268;
B65D 2519/00318; B65D 2519/00208;
B65D 79/005; B65D 1/36; B65D 51/20;
B65D 25/00; B65D 81/3216; B65D
77/003

See application file for complete search history.

(56) **References Cited**

U.S. PATENT DOCUMENTS

D283,051 S * 3/1986 Fichera D24/123
6,152,302 A * 11/2000 Miller B65D 1/36
206/549
D451,382 S * 12/2001 Adkins D9/415
D463,274 S * 9/2002 Green D9/415
6,454,115 B1 * 9/2002 Allasia B65D 43/162
206/540
D519,364 S * 4/2006 Kopp D9/415
8,006,834 B2 * 8/2011 Marcinkowski B65D 75/327
206/232
D646,156 S * 10/2011 Maxwell-Wood D9/414
D669,774 S * 10/2012 Yamaguchi D9/418
D697,398 S * 1/2014 Guevara-Ludt D9/415
D698,643 S * 2/2014 Malley D9/425

(Continued)

Primary Examiner — Lauren R Calve

(74) *Attorney, Agent, or Firm* — Joshua C. Sanders

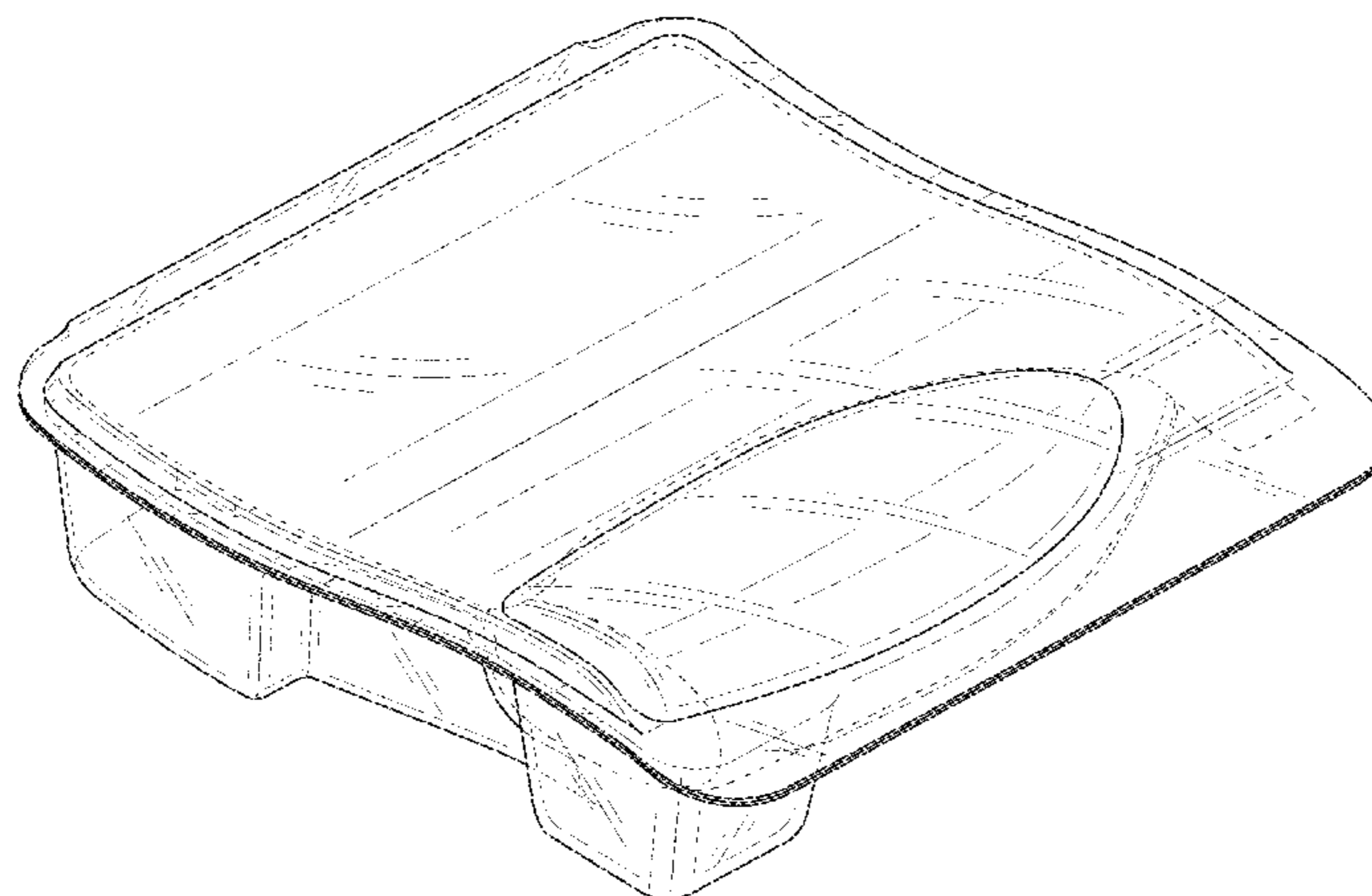
(57) **CLAIM**

We claim the ornamental design for a package, as shown and described.

DESCRIPTION

FIG. 1 is a bottom front perspective view of a package;
FIG. 2 is a top front perspective view thereof;
FIG. 3 is a top rear perspective view thereof;
FIG. 4 is a bottom rear perspective view thereof;
FIG. 5 is a right side view thereof;
FIG. 6 is a left side view thereof;
FIG. 7 is a top view thereof;
FIG. 8 is a bottom view thereof;
FIG. 9 is a front view thereof; and,
FIG. 10 is a rear view thereof.
The broken lines shown represent unclaimed subject matter and form no part of the claimed design.

1 Claim, 10 Drawing Sheets



(56)

References Cited

U.S. PATENT DOCUMENTS

D708,056 S * 7/2014 Larson D9/424
D785,451 S * 5/2017 Biery D9/425
2009/0186132 A1* 7/2009 Mangino B65D 1/36
426/120
2017/0057720 A1* 3/2017 Biery B65D 75/36
2017/0266873 A1* 9/2017 Crosby B65D 43/162

* cited by examiner

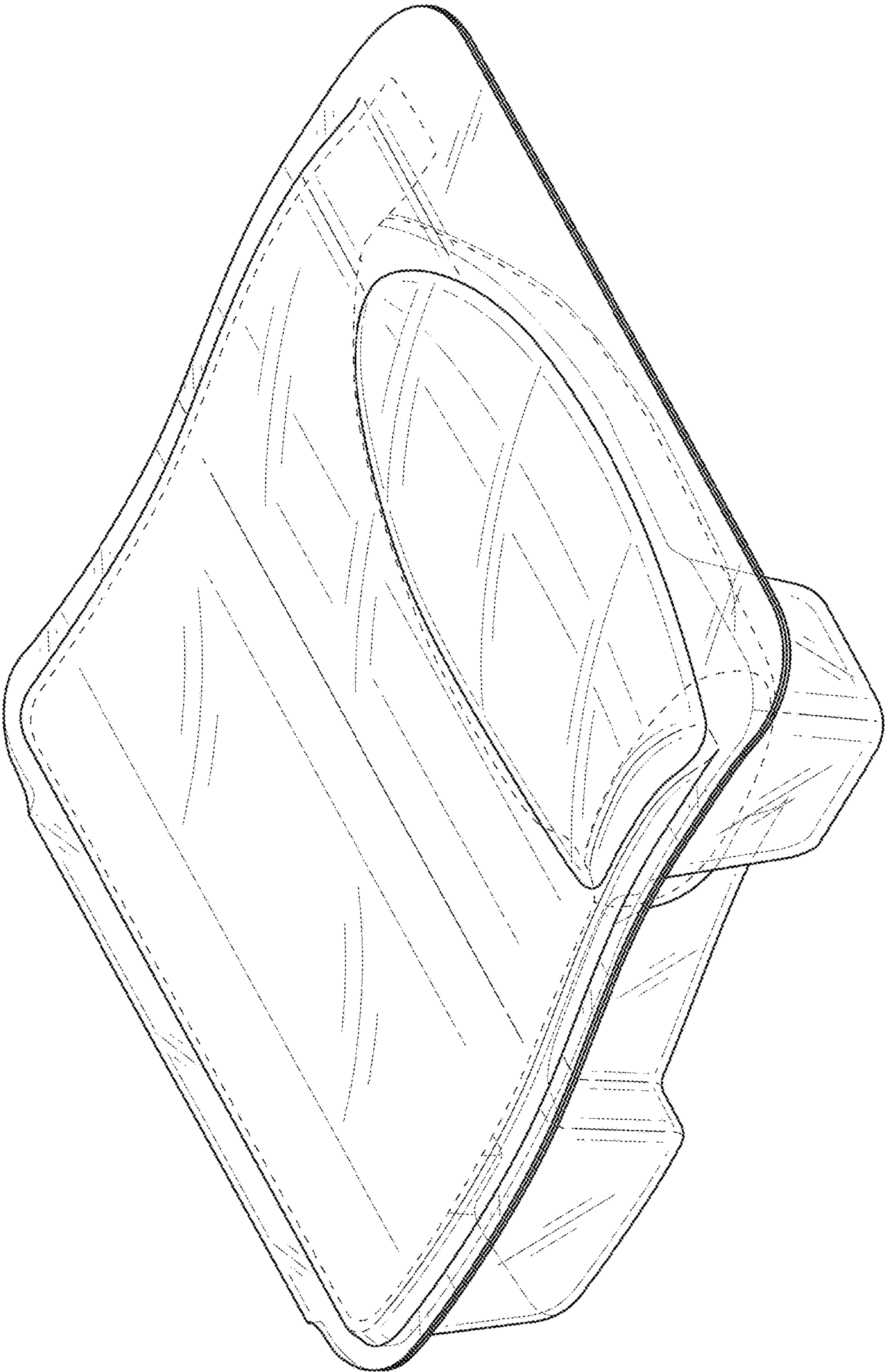


FIG. 1

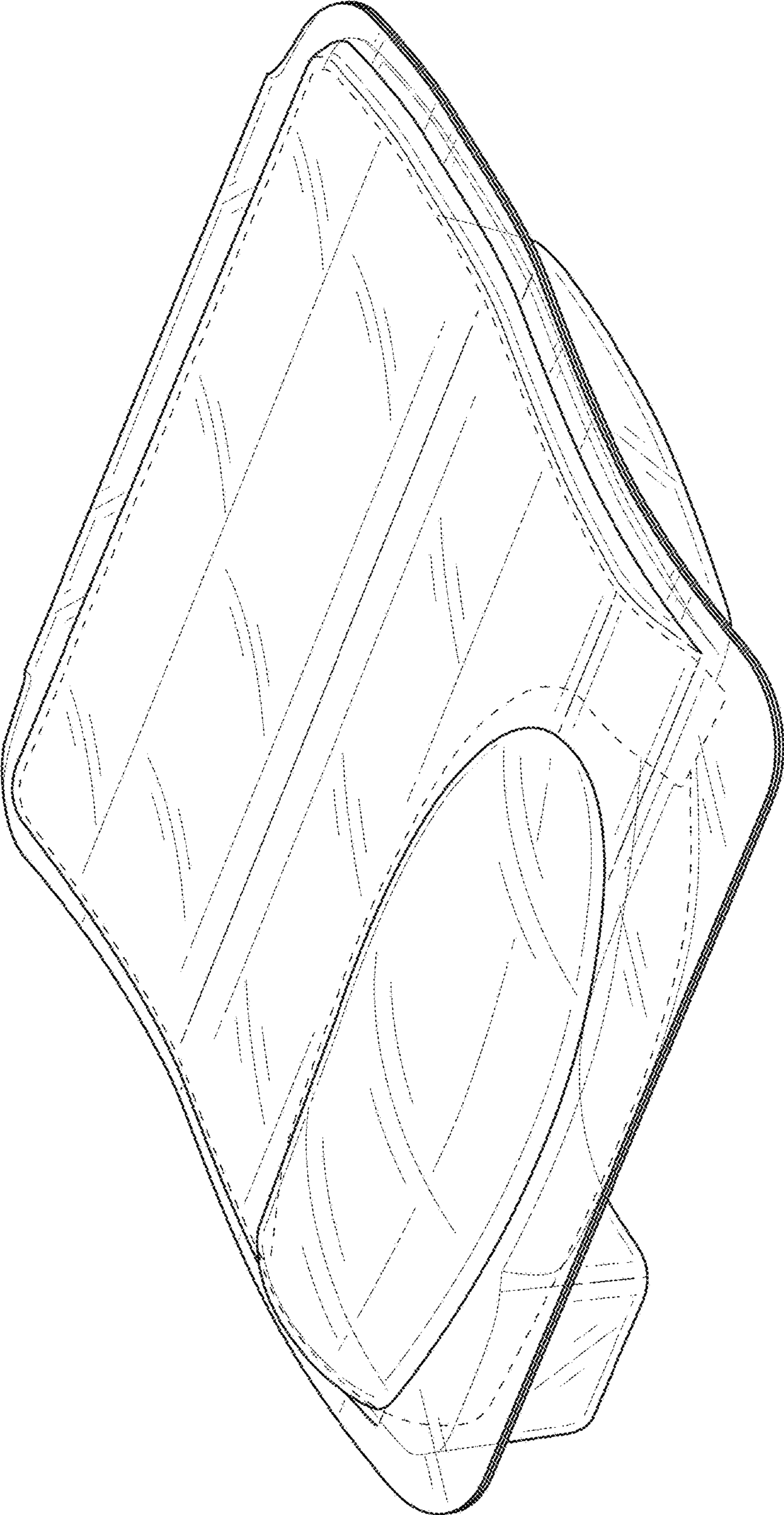


FIG. 2

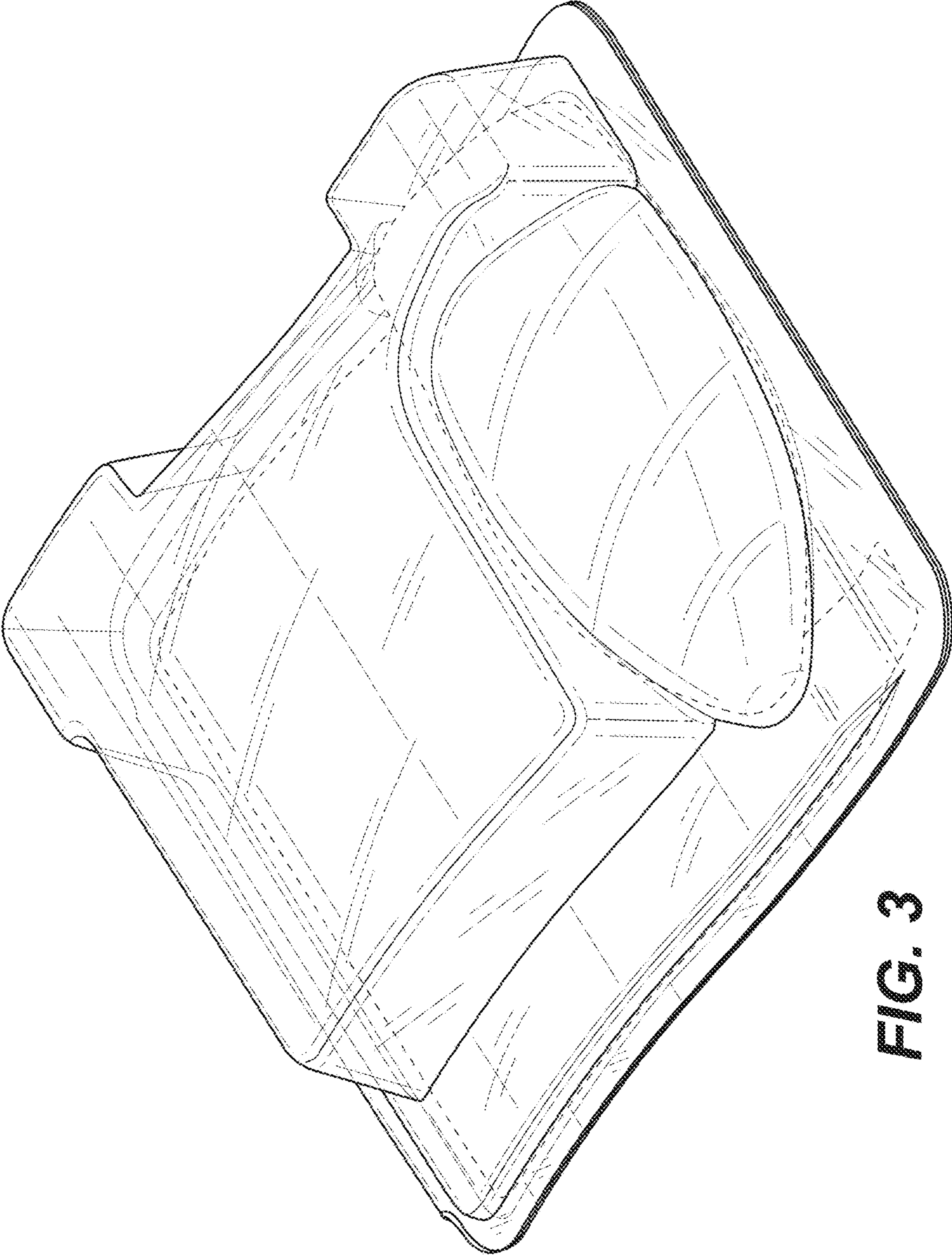


FIG. 3

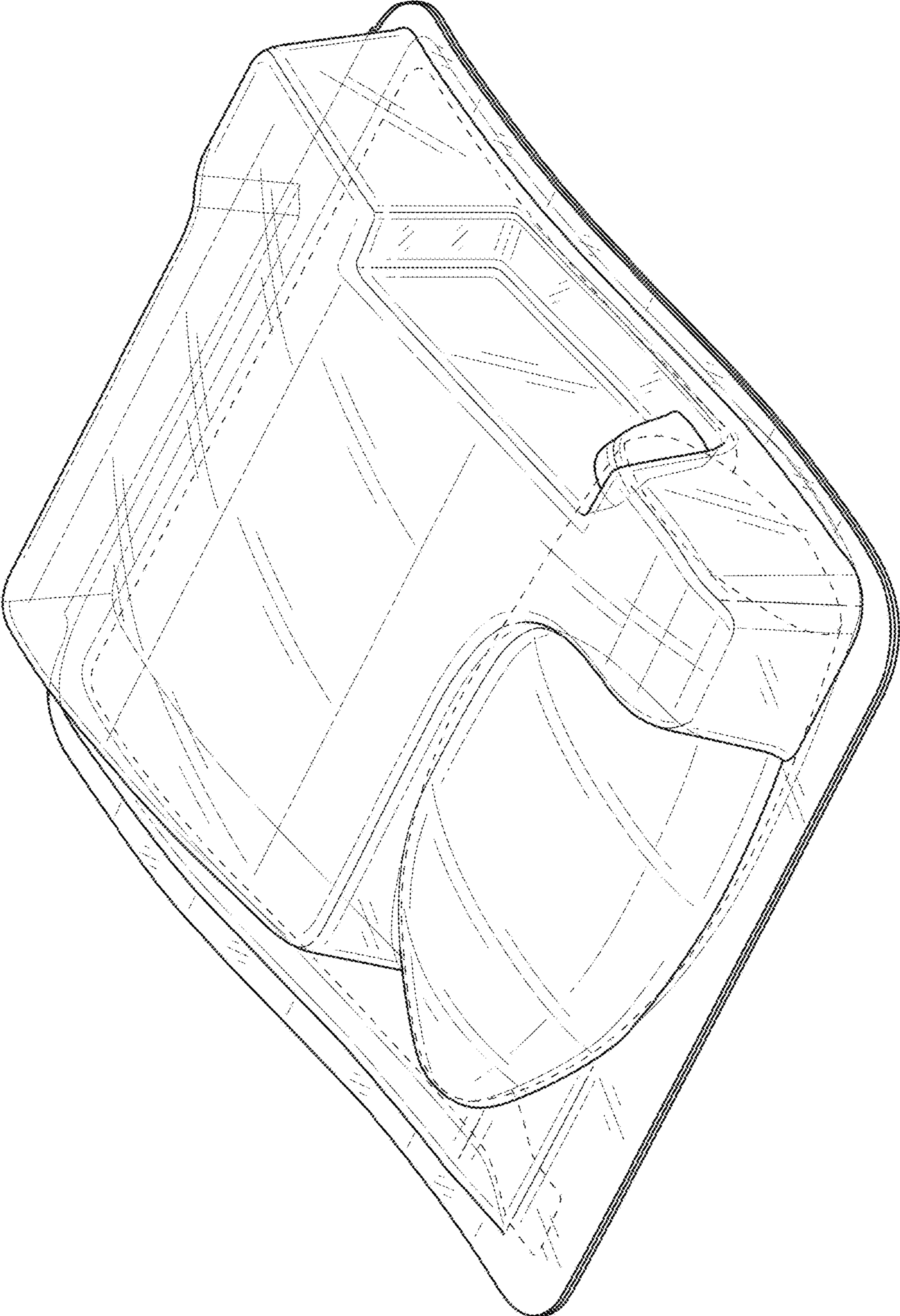


FIG. 4

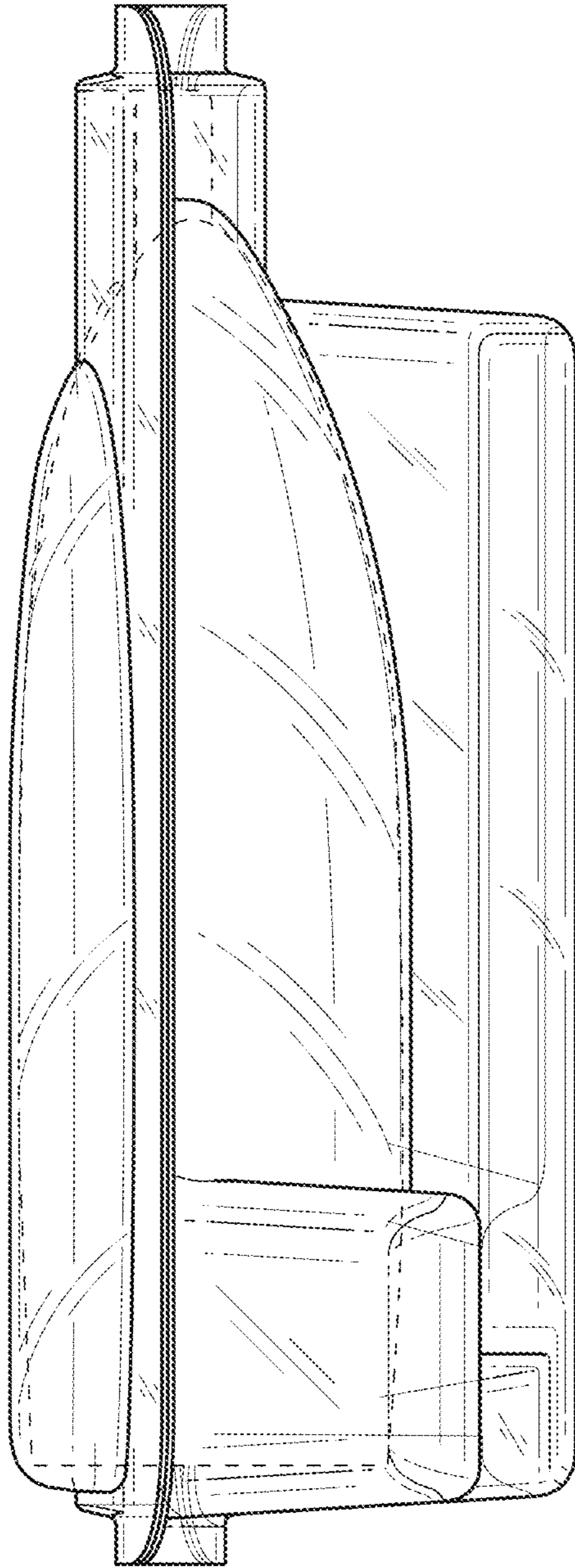


FIG. 5

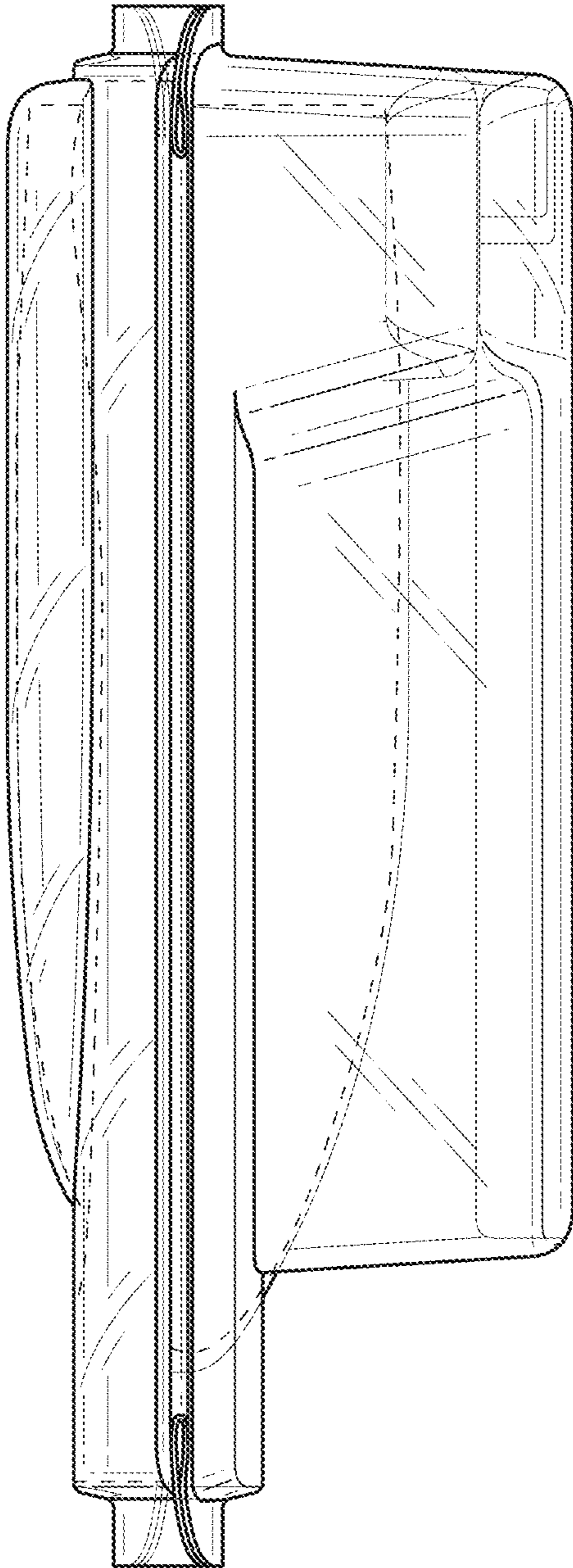


FIG. 6

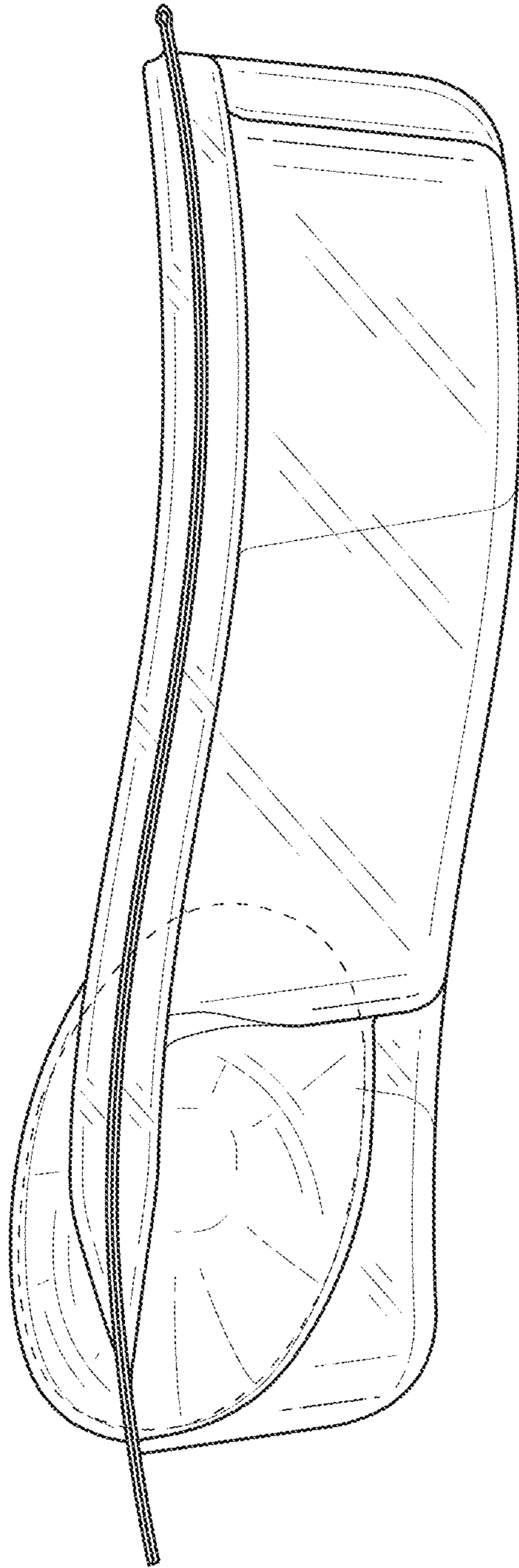


FIG. 7

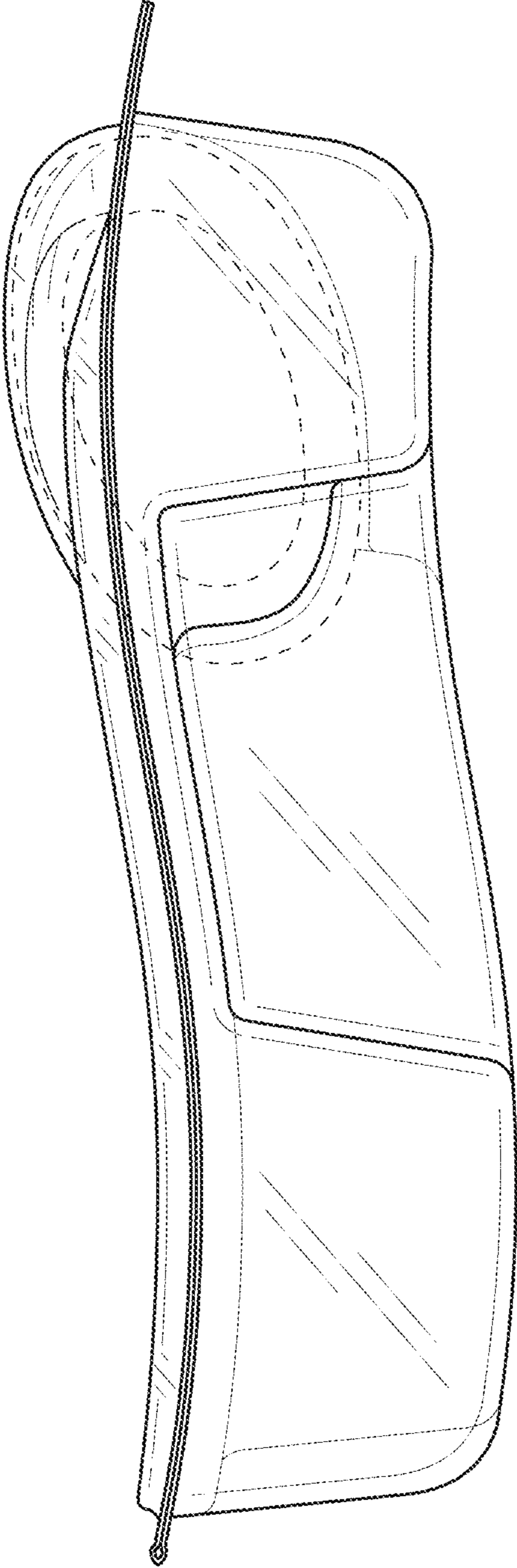


FIG. 8

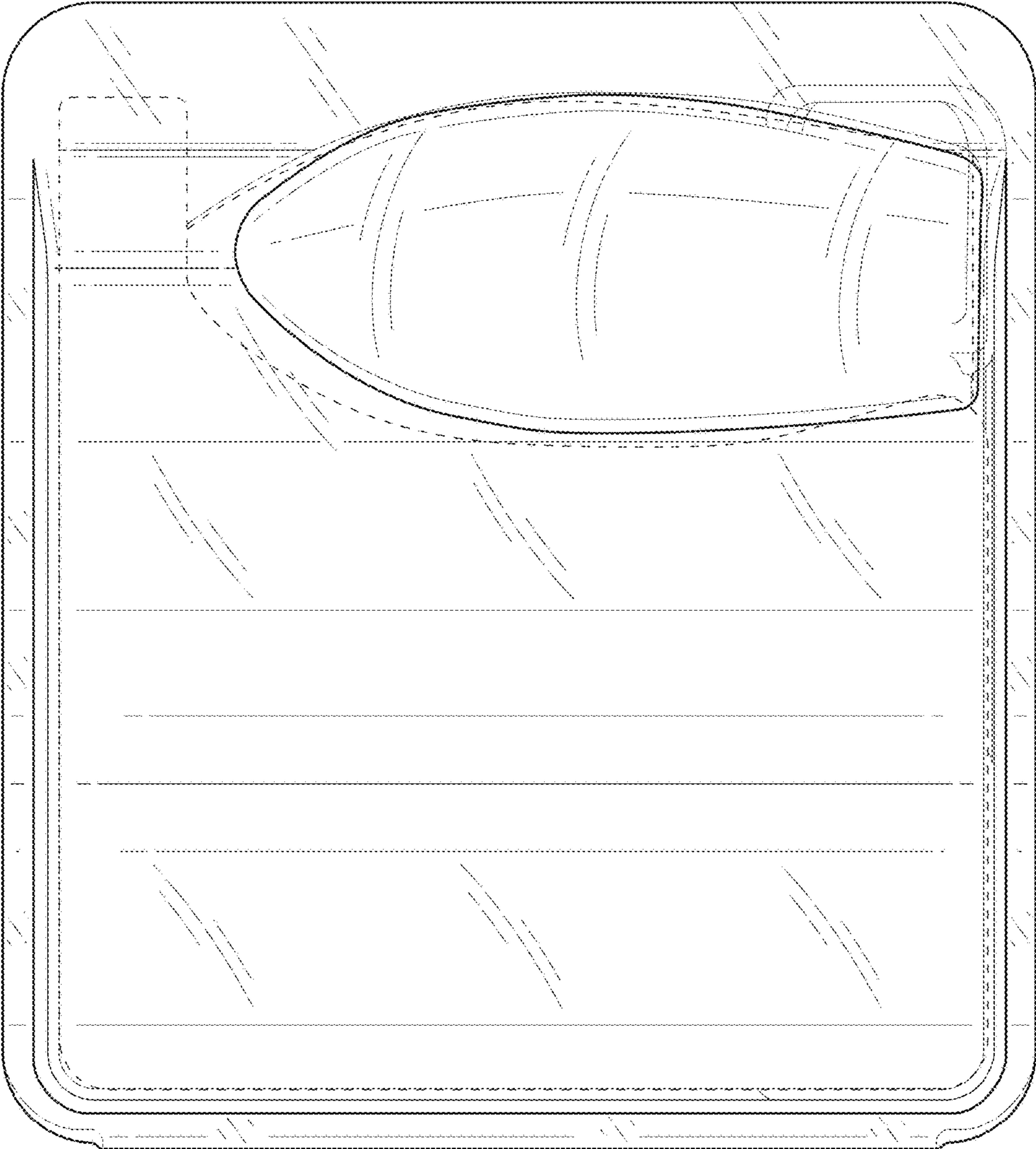


FIG. 9

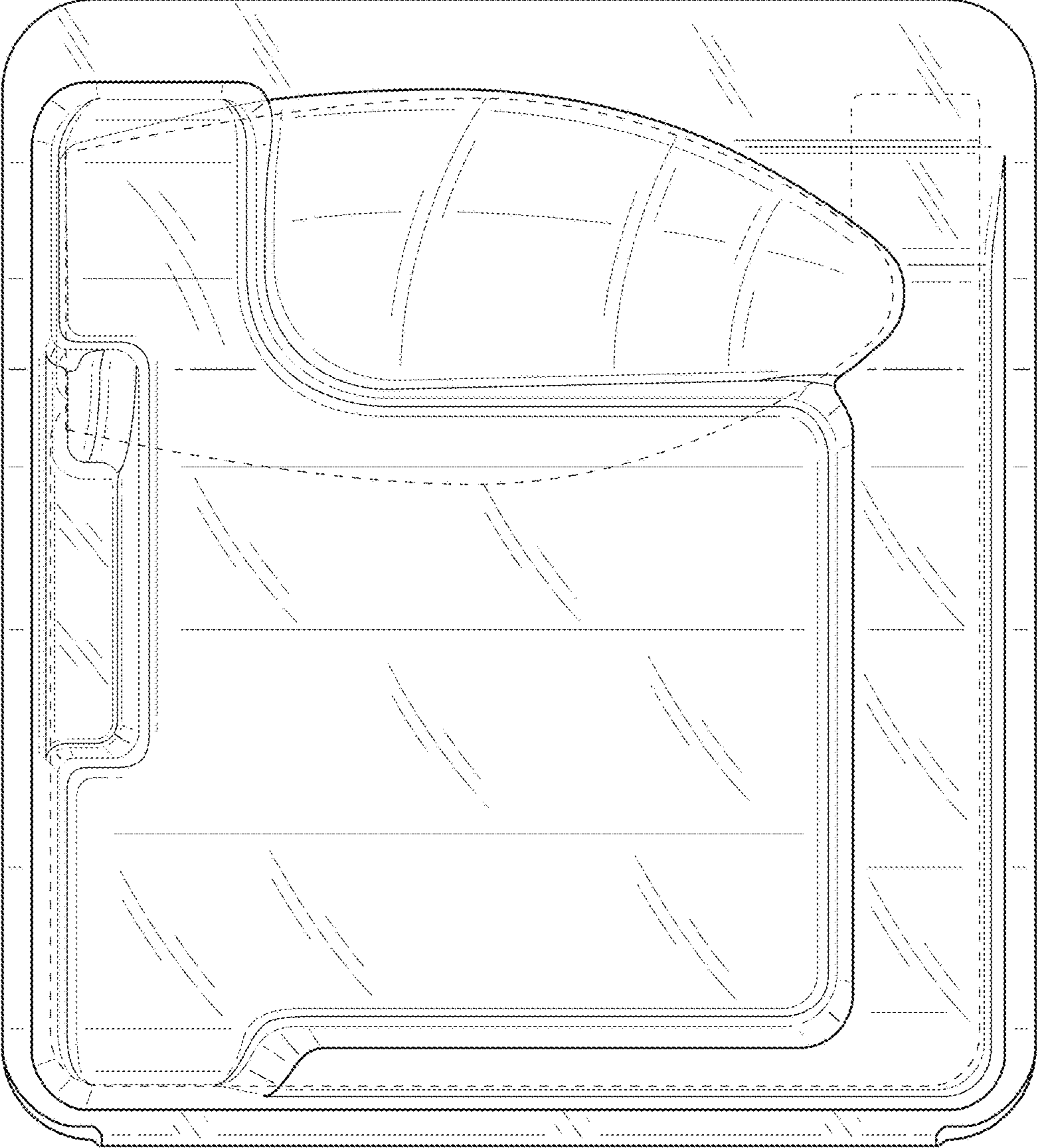


FIG. 10