



US00D818814S

(12) **United States Design Patent** (10) **Patent No.:** **US D818,814 S**
Vaughn et al. (45) **Date of Patent:** **** May 29, 2018**

(54) **DISPLAY CONTAINER**

(71) Applicant: **Springs Global US, Inc.**, Fort Mill, SC (US)

(72) Inventors: **Bryan Vaughn**, Martinsville, VA (US);
Lynn Berry, Martinsville, VA (US)

(73) Assignee: **Springs Global US, Inc.**, Fort Mill, SC (US)

(**) Term: **14 Years**

(21) Appl. No.: **29/519,597**

(22) Filed: **Mar. 6, 2015**

(51) **LOC (11) Cl.** **09-03**

(52) **U.S. Cl.**
USPC **D9/415**

(58) **Field of Classification Search**
USPC D9/415, 414, 418, 432, 423, 431, 449,
D9/734, 434; D3/294, 273; D30/108;
220/324

(Continued)

(56) **References Cited**

U.S. PATENT DOCUMENTS

D356,253 S * 3/1995 Bacchetti D30/108
D389,054 S * 1/1998 Teags D9/431

(Continued)

Primary Examiner — Rhea Shields

(74) *Attorney, Agent, or Firm* — Myers Bigel, P.A.

(57) **CLAIM**

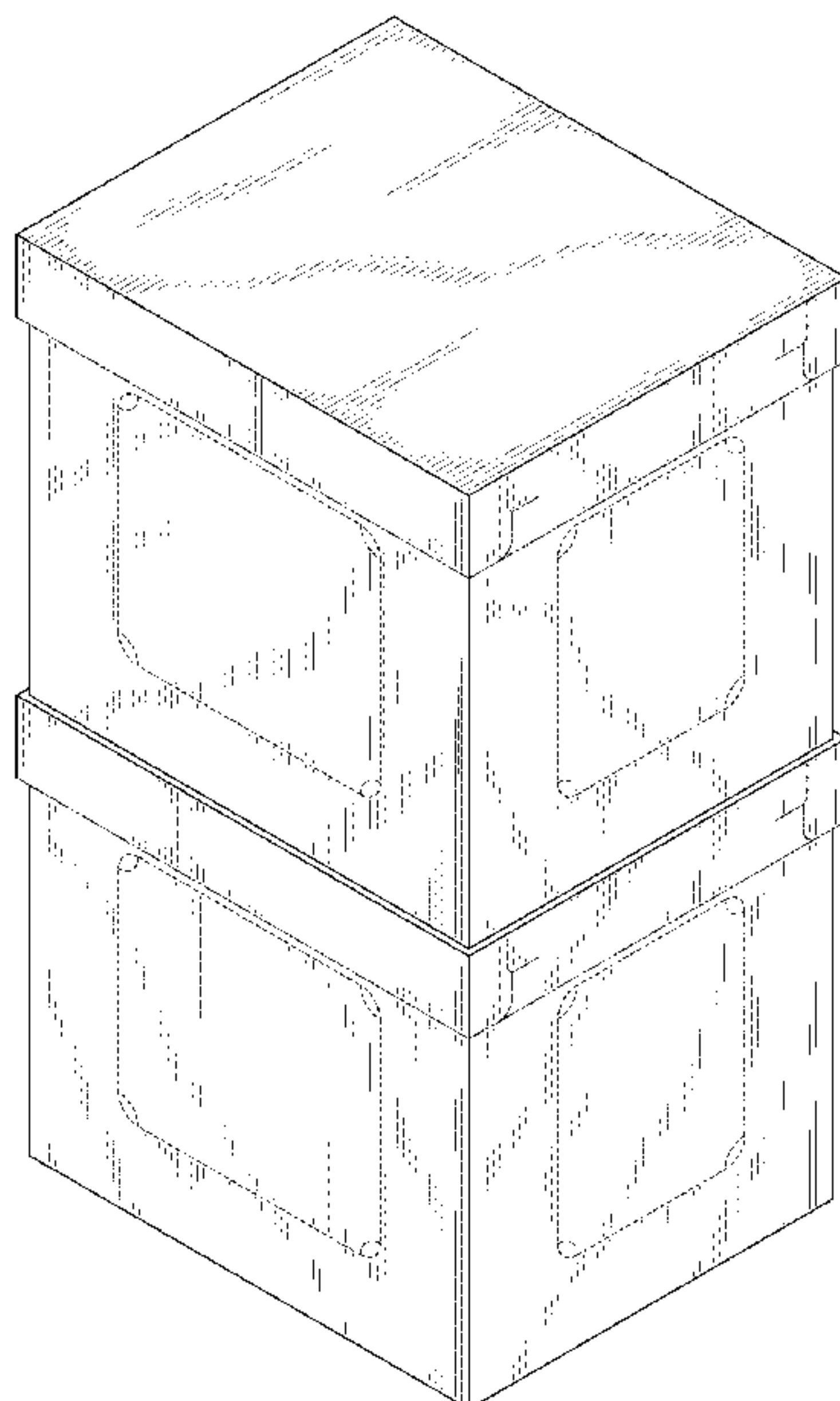
The ornamental design for a display container, as shown and described.

DESCRIPTION

FIG. 1 is a top, front perspective view of a first embodiment of the display container, showing our new design;

FIG. 2 is a front view thereof;
FIG. 3 is a rear view thereof, opposite that shown in FIG. 2;
FIG. 4 is a side view thereof;
FIG. 5 is a side view thereof, opposite that shown in FIG. 4;
FIG. 6 is a top plan view thereof;
FIG. 7 is a bottom plan view thereof;
FIG. 8 is a top, front perspective view of a display container as shown in FIGS. 1-7 with the top perforated panels removed, and with environmental contents;
FIG. 9 is a top front perspective view of a display container as shown in FIGS. 1-7, with the top and bottom perforated panels removed, and with environmental contents; and
FIG. 10 is a top, front perspective view of FIG. 8, shown in an exemplary environment of relative size.
FIG. 11 is a top, front perspective view of a second embodiment of the display container, showing our new design;
FIG. 12 is a front view thereof;
FIG. 13 is a rear view thereof; opposite that shown in FIG. 12;
FIG. 14 is a side view thereof;
FIG. 15 is a side view thereof; opposite that shown in FIG. 14;
FIG. 16 is a top plan view thereof;
FIG. 17 is a bottom plan view thereof;
FIG. 18 is a top, front perspective view of the display container of FIGS. 11-17 in an exemplary environment; and,
FIG. 19 is a top, front perspective view of a display container as shown in FIGS. 11-18 with the perforated panels removed, and with environmental contents.
Throughout the drawings, the dash-dash broken lines are for the purpose of illustrating perforations that form a part of the claimed design. The dot-dot dash-dot-dot lines are for the purpose of illustrating environment only and form no part of the claimed design.

1 Claim, 17 Drawing Sheets



(58) **Field of Classification Search**
 CPC B65D 1/22
 See application file for complete search history.

(56) **References Cited**

U.S. PATENT DOCUMENTS

D472,142 S *	3/2003	Weinmann	D9/415
D477,217 S *	7/2003	Riedi	D9/418
D594,657 S *	6/2009	McAlpine	D3/273
D642,928 S *	8/2011	Lundin	D9/449
8,066,143 B2 *	11/2011	Baltz	B65D 1/22
			220/324	
D656,014 S *	3/2012	Norman	D9/434
D671,401 S *	11/2012	Grabes	D9/418
D672,640 S *	12/2012	Boissinot	D9/418
D683,246 S *	5/2013	Palmer	D9/734
D689,360 S *	9/2013	Adams	D9/418
D702,546 S *	4/2014	McAdam	D9/418

D703,038 S *	4/2014	McAdam	D9/418
D709,758 S *	7/2014	Burdock-Latter	D9/418
D731,302 S *	6/2015	Lutgen	D9/418
D740,654 S *	10/2015	Boehnen	D9/418
D745,384 S *	12/2015	Park	D9/414
D746,700 S *	1/2016	Boehnen	D9/418
D748,974 S *	2/2016	Wang	D9/418
D752,425 S *	3/2016	Parthenis	D9/414
D758,841 S *	6/2016	Russo	D9/415
D763,683 S *	8/2016	O'Neill	D9/432
D765,502 S *	9/2016	Irek	D9/418
D772,053 S *	11/2016	Mayer	D9/418
D775,523 S *	1/2017	Platt	D9/418
D776,521 S *	1/2017	Hardy	D9/418
D782,297 S *	3/2017	Vaske	D9/418
D784,807 S *	4/2017	Glass	D9/432
D787,319 S *	5/2017	Sanfilippo	D9/423
D787,320 S *	5/2017	Gill	D9/423
D788,462 S *	6/2017	Zhu	D3/294

* cited by examiner

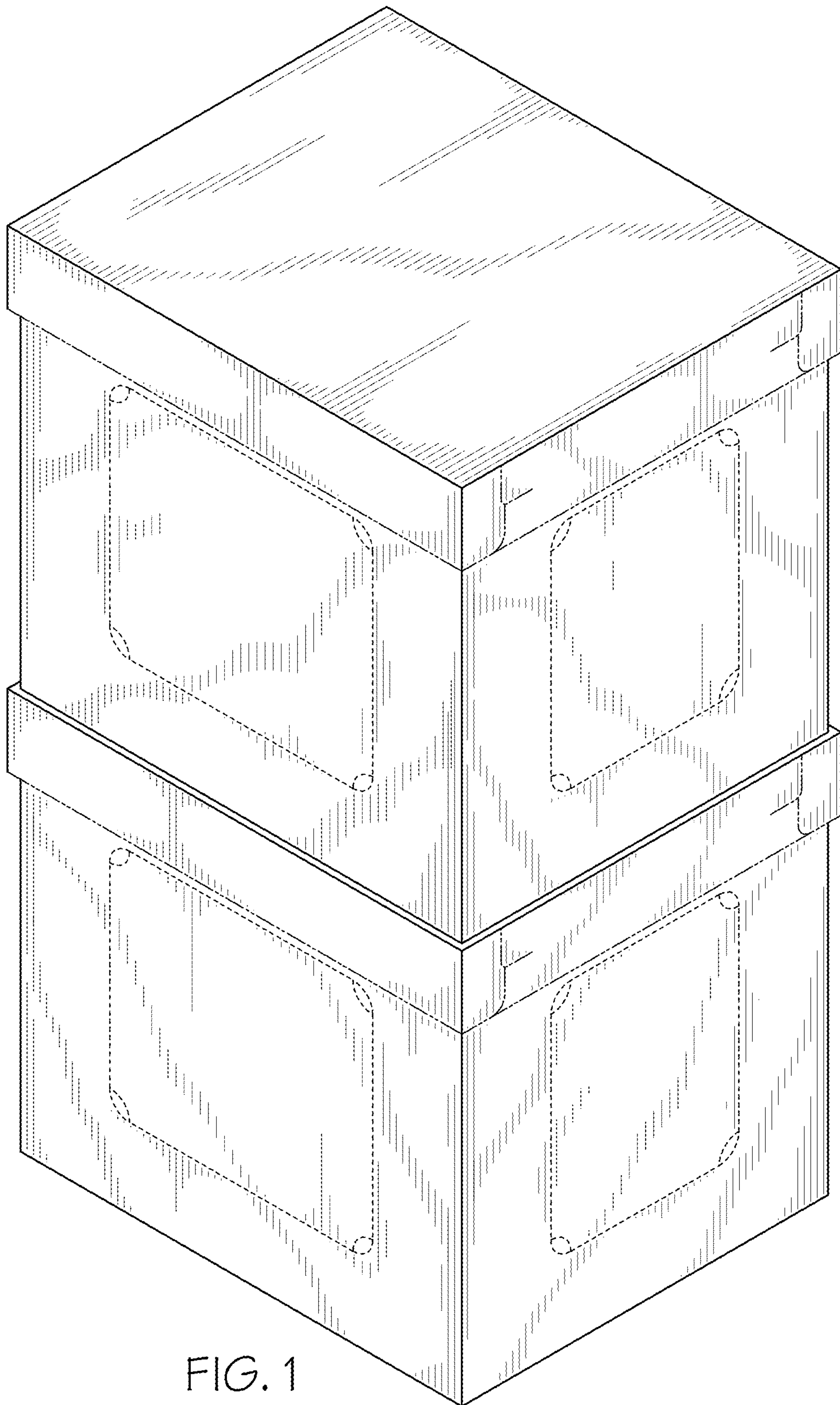


FIG. 1

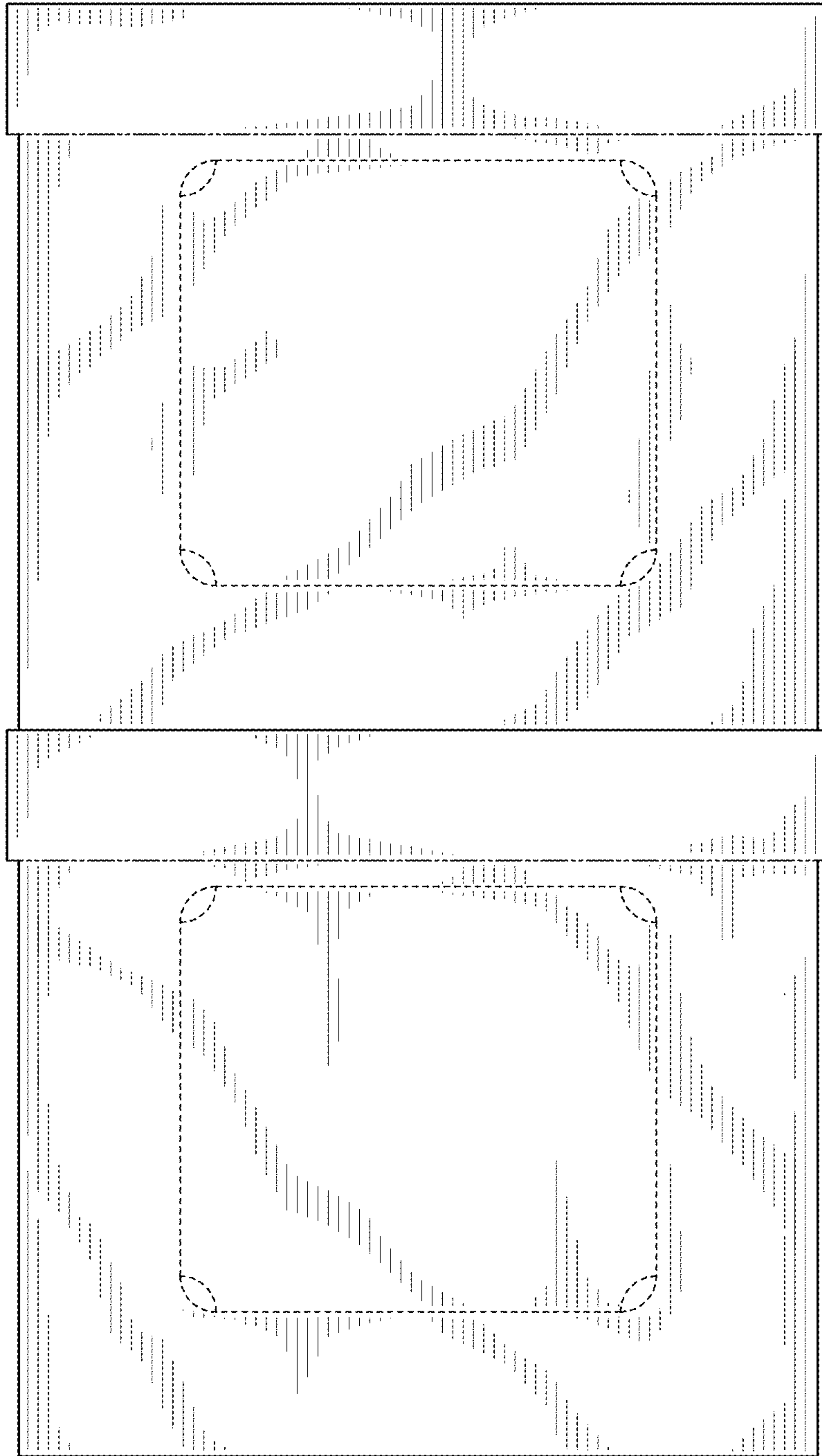


FIG. 2

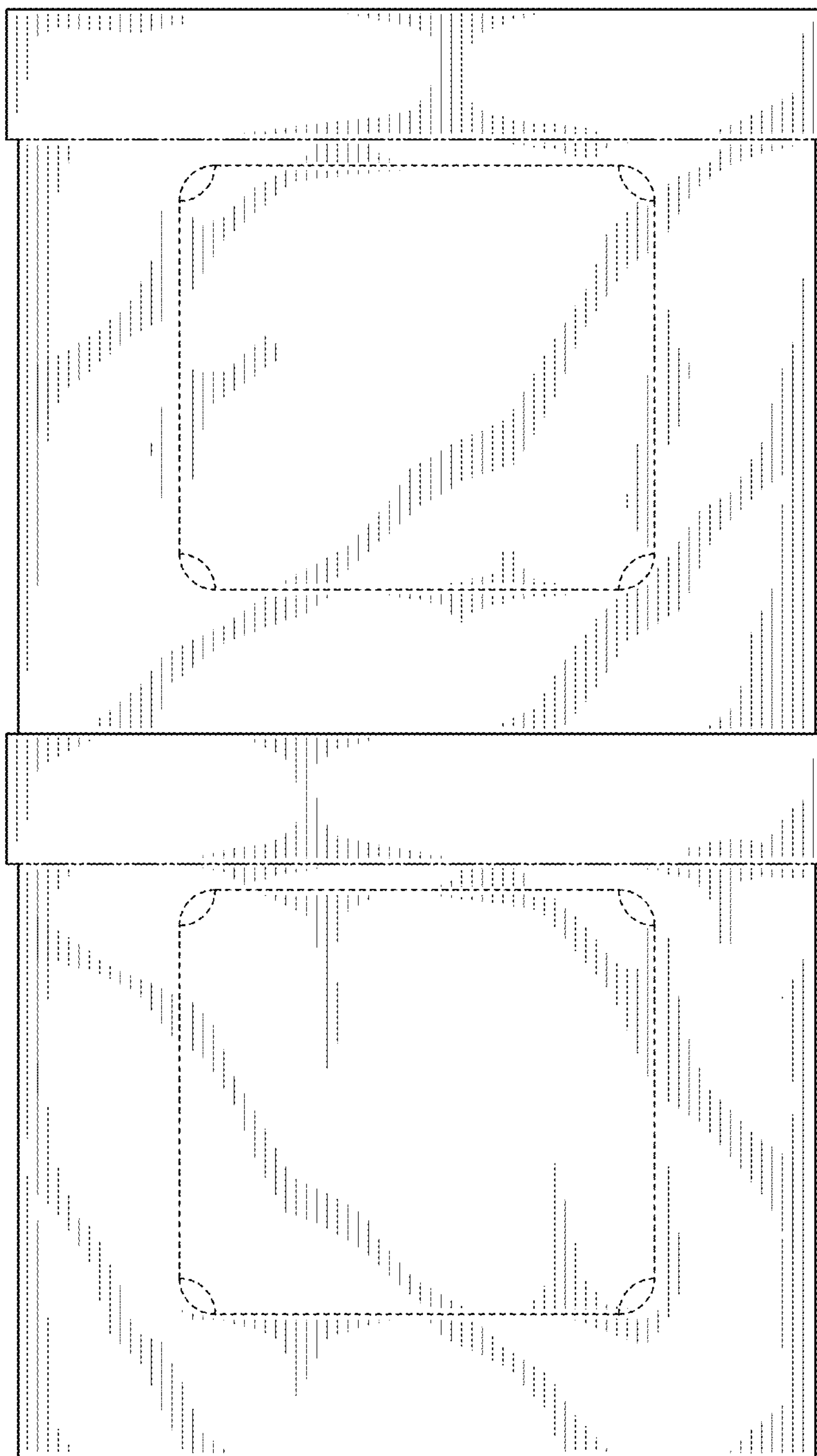


FIG. 3

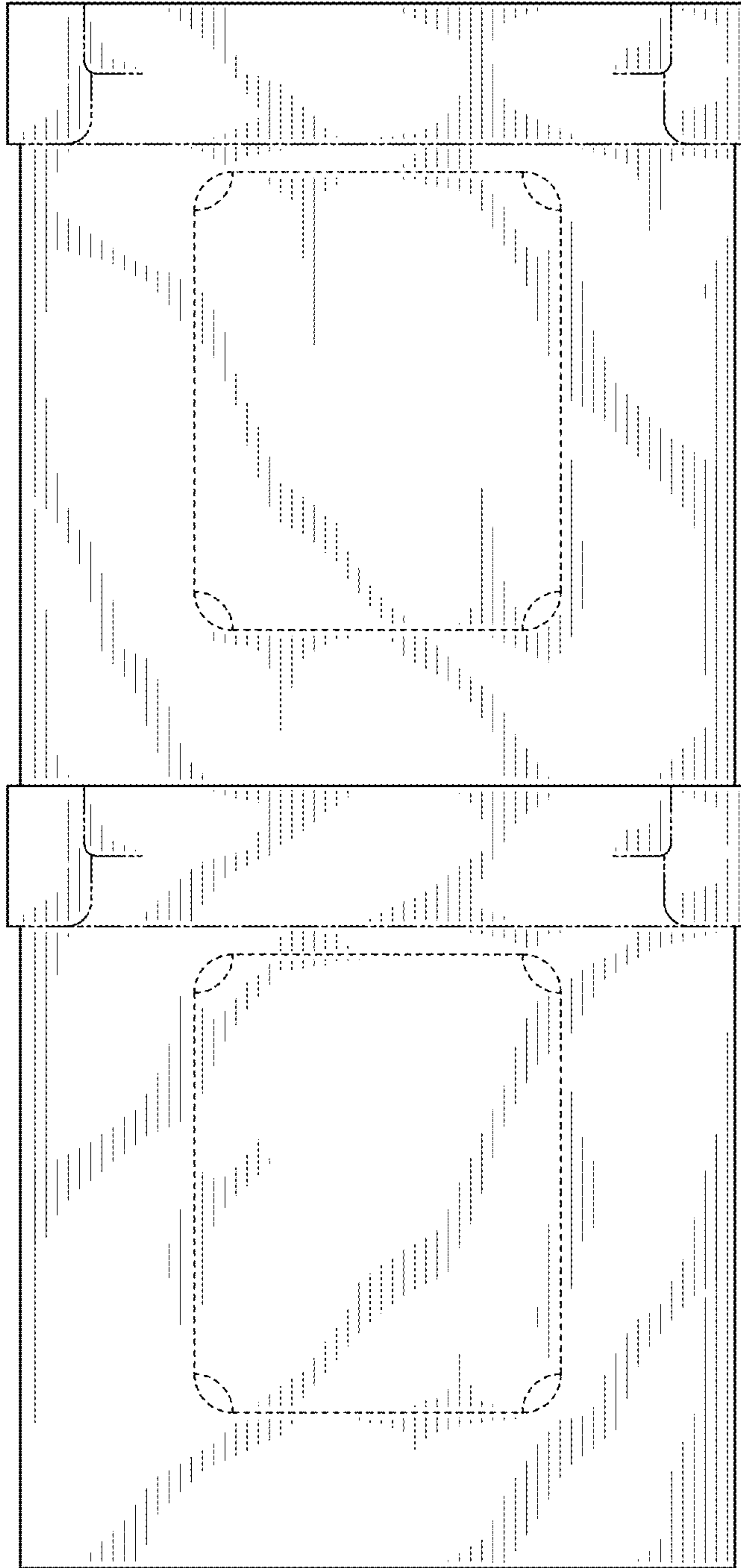


FIG. 4

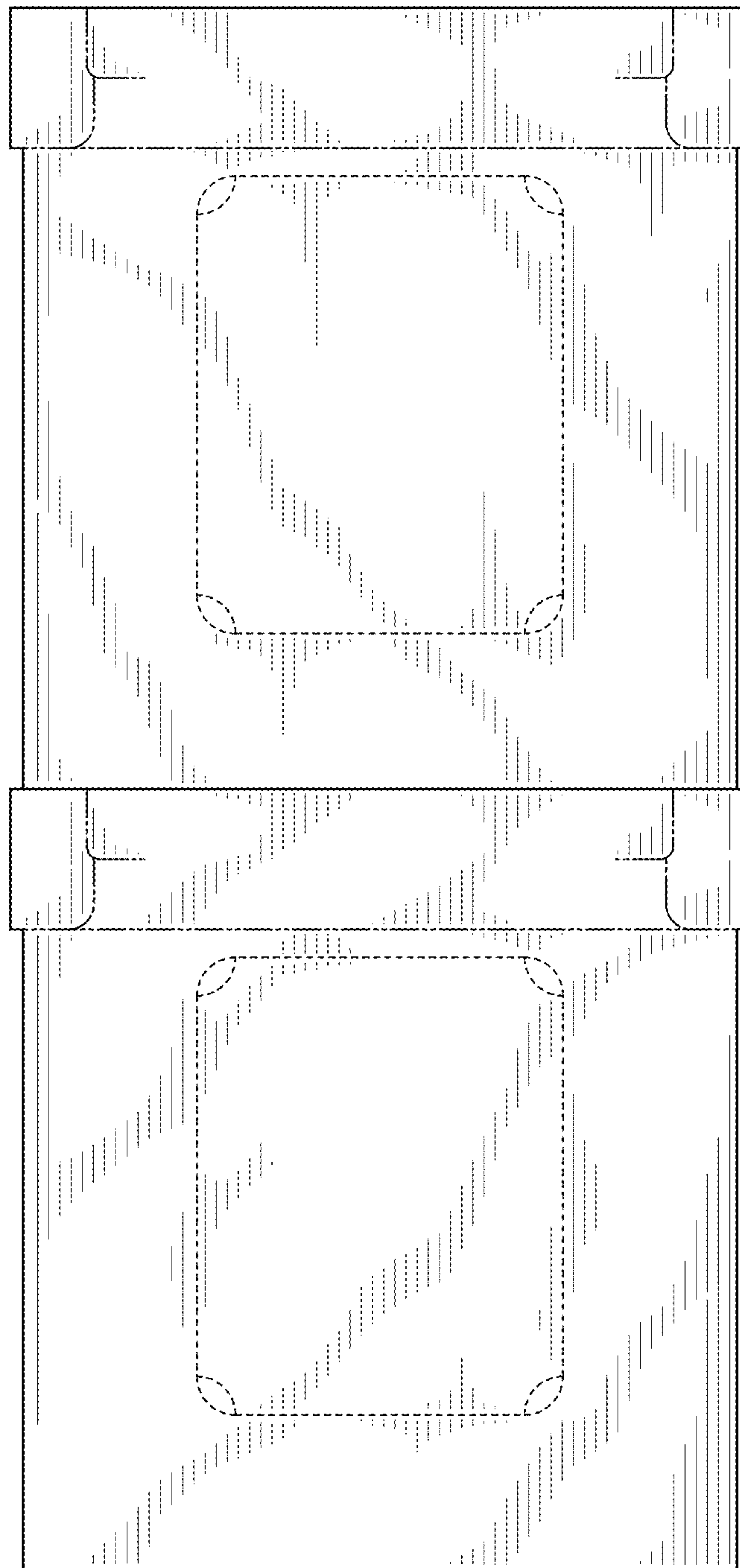


FIG. 5

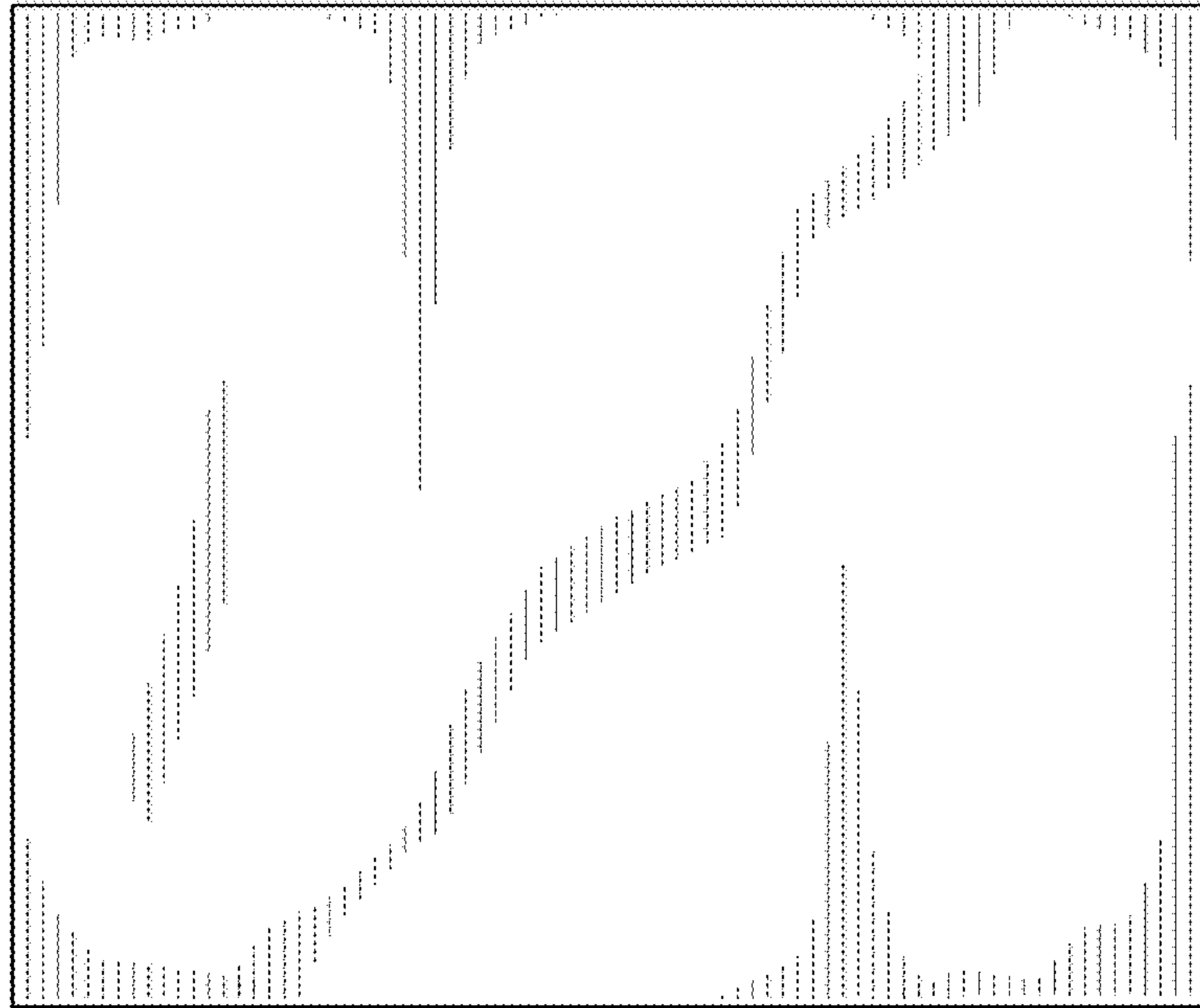


FIG. 6

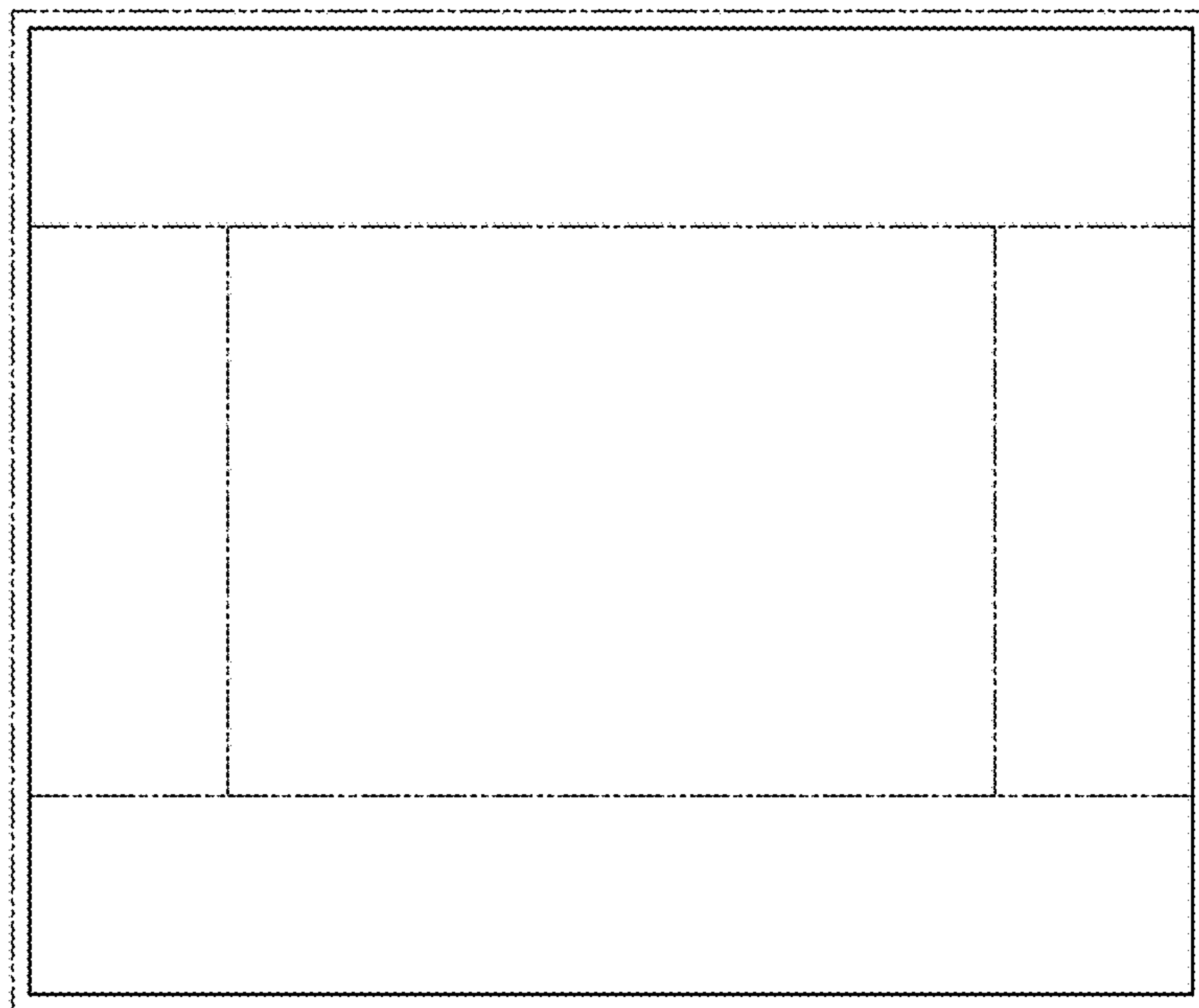


FIG. 7

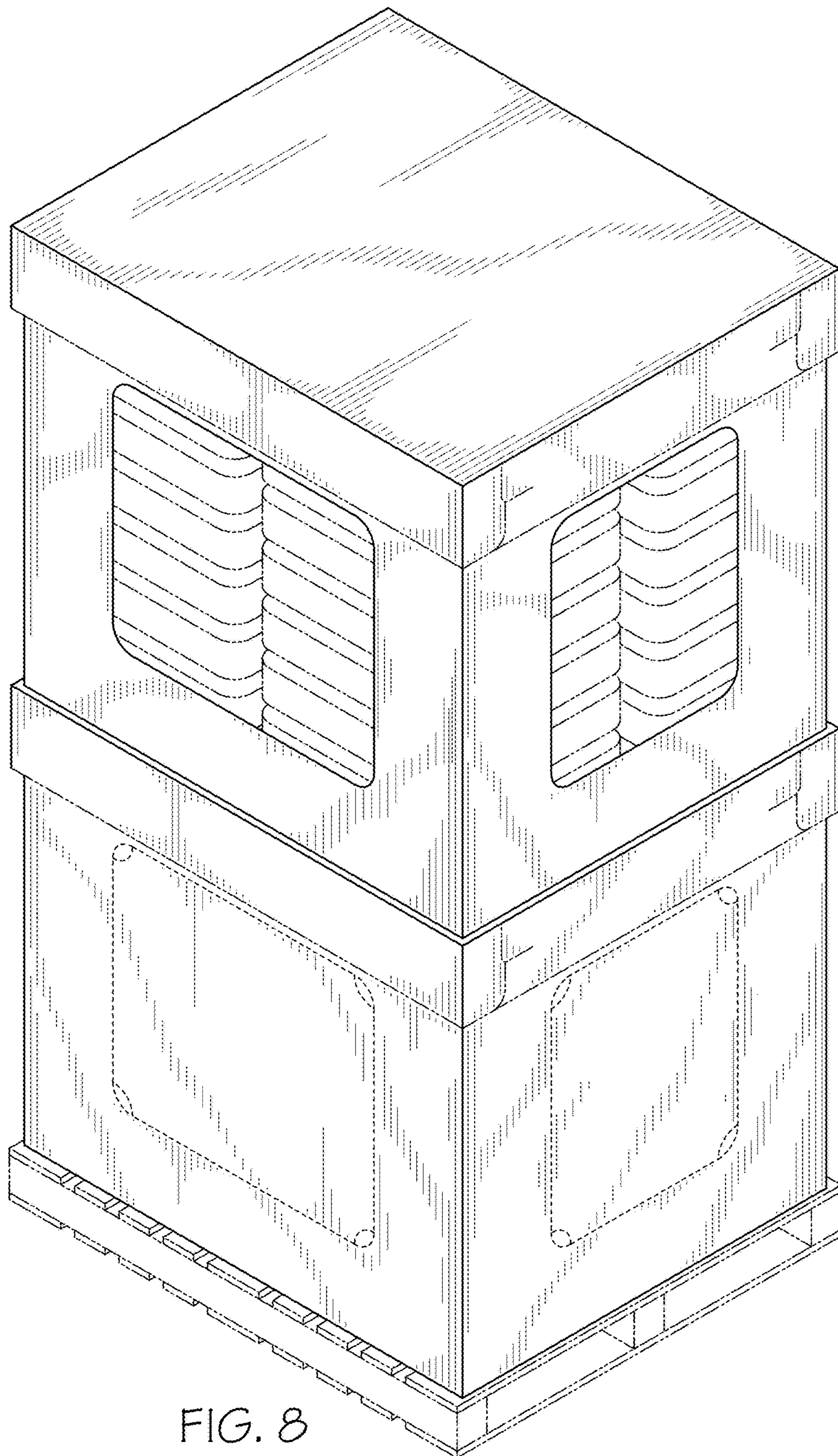


FIG. 8

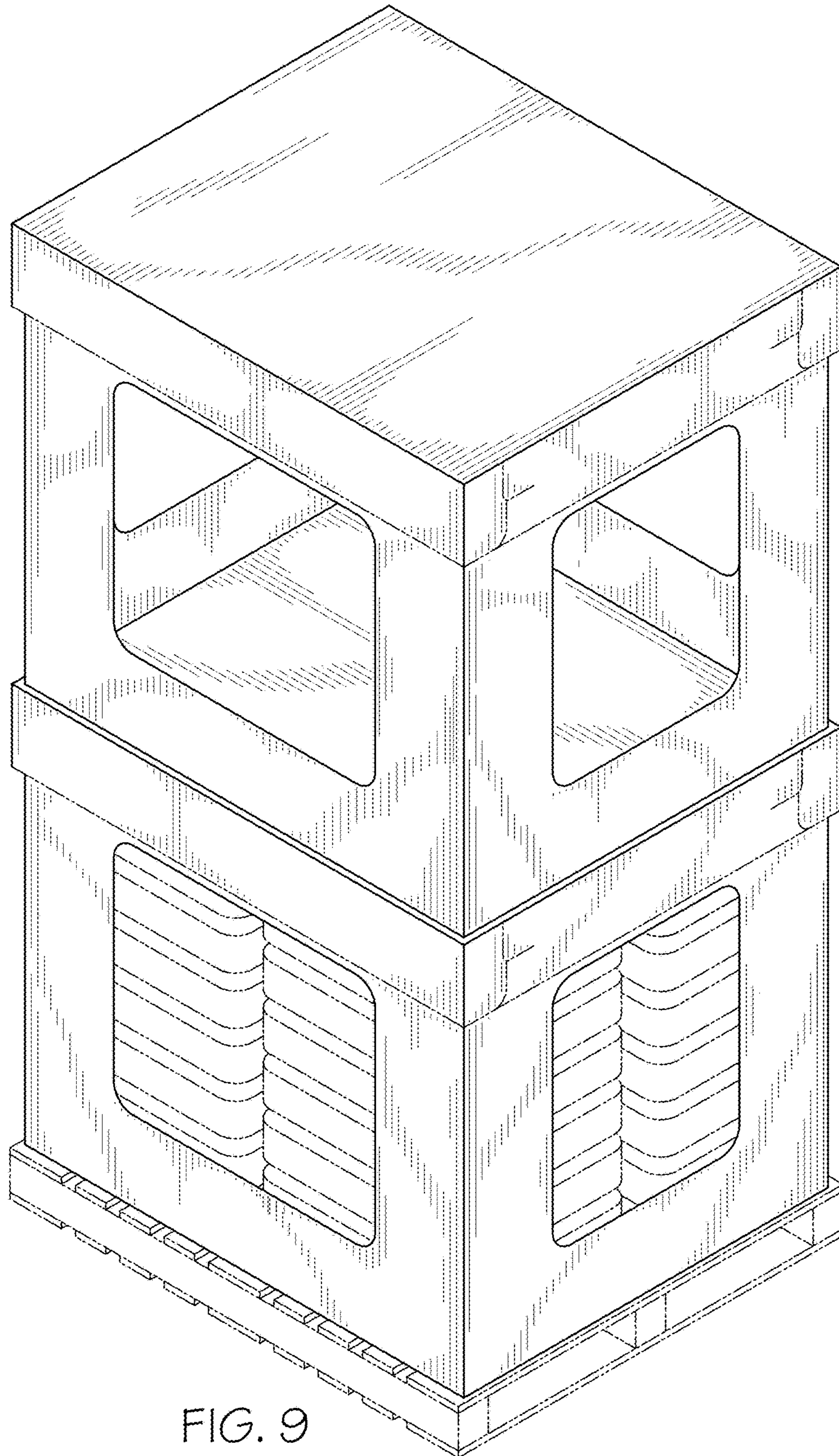


FIG. 9

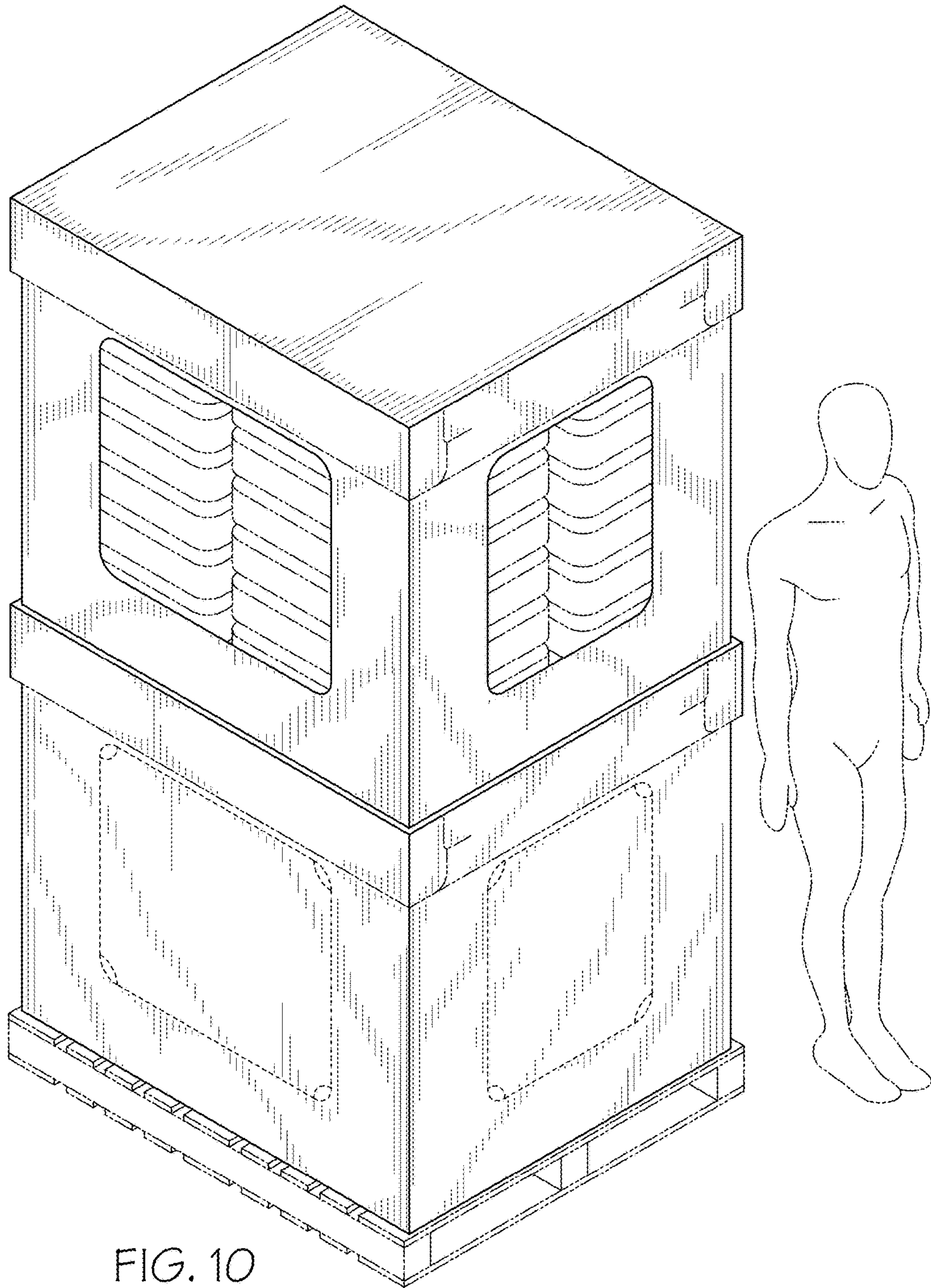


FIG. 10

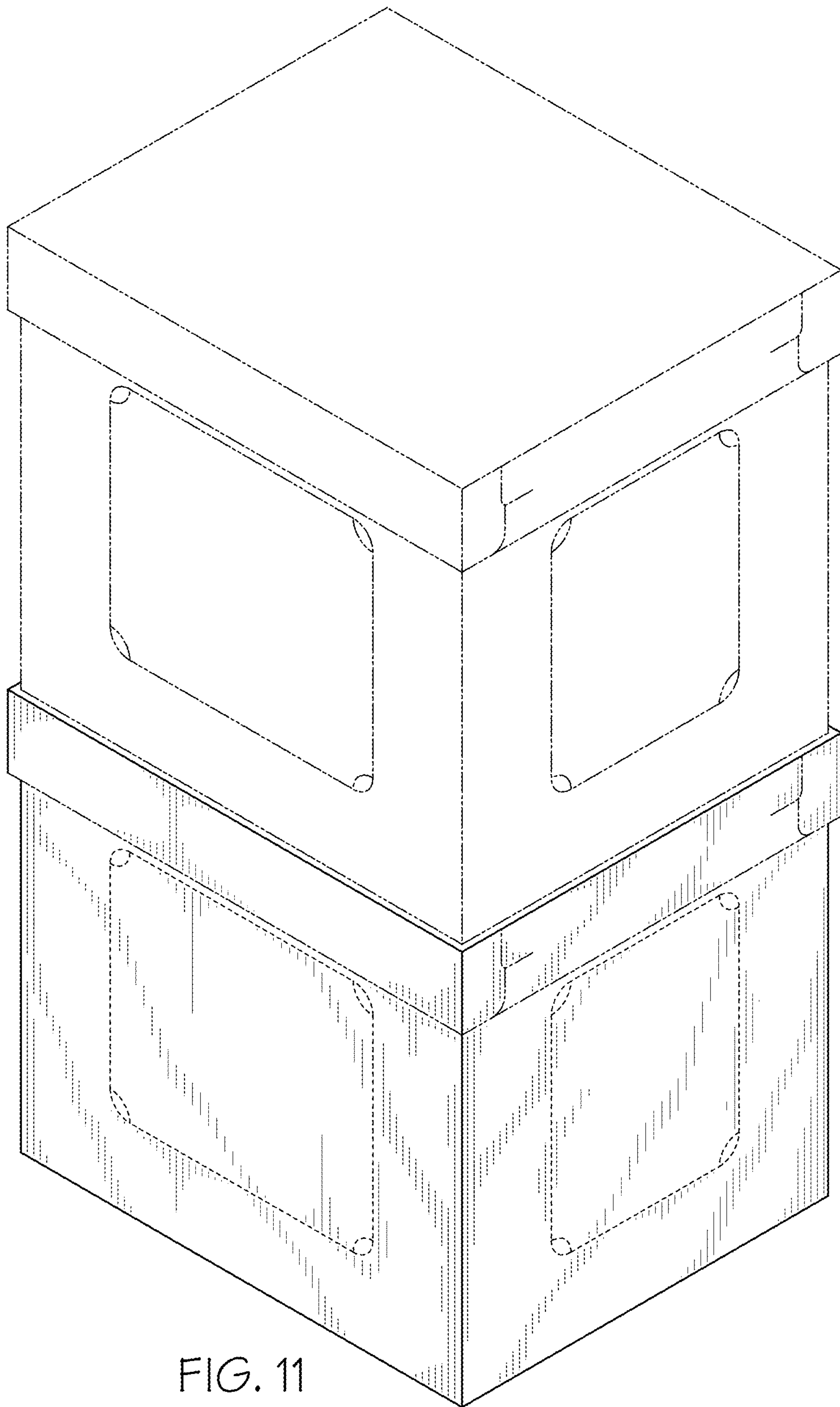


FIG. 11

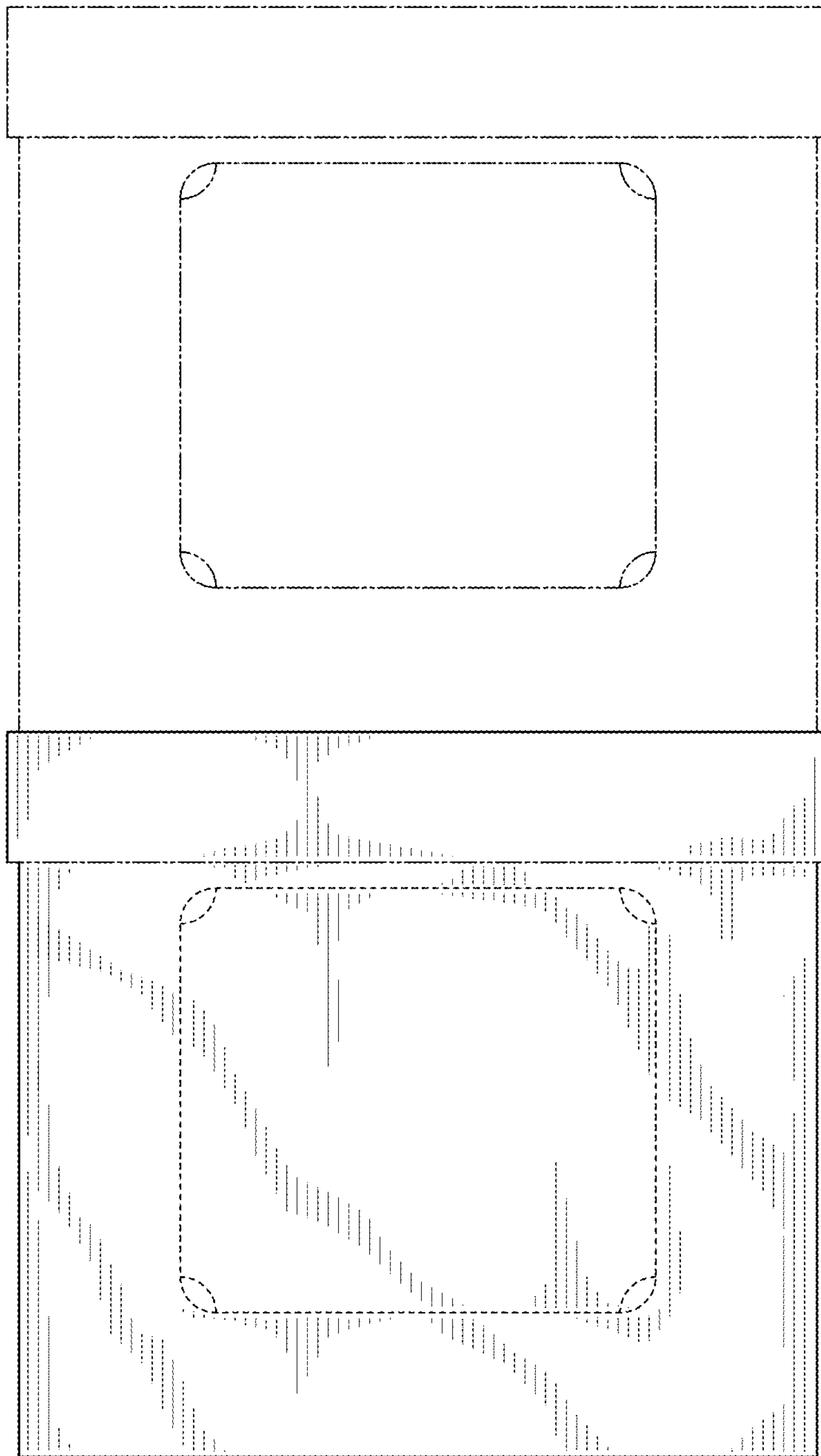


FIG. 12

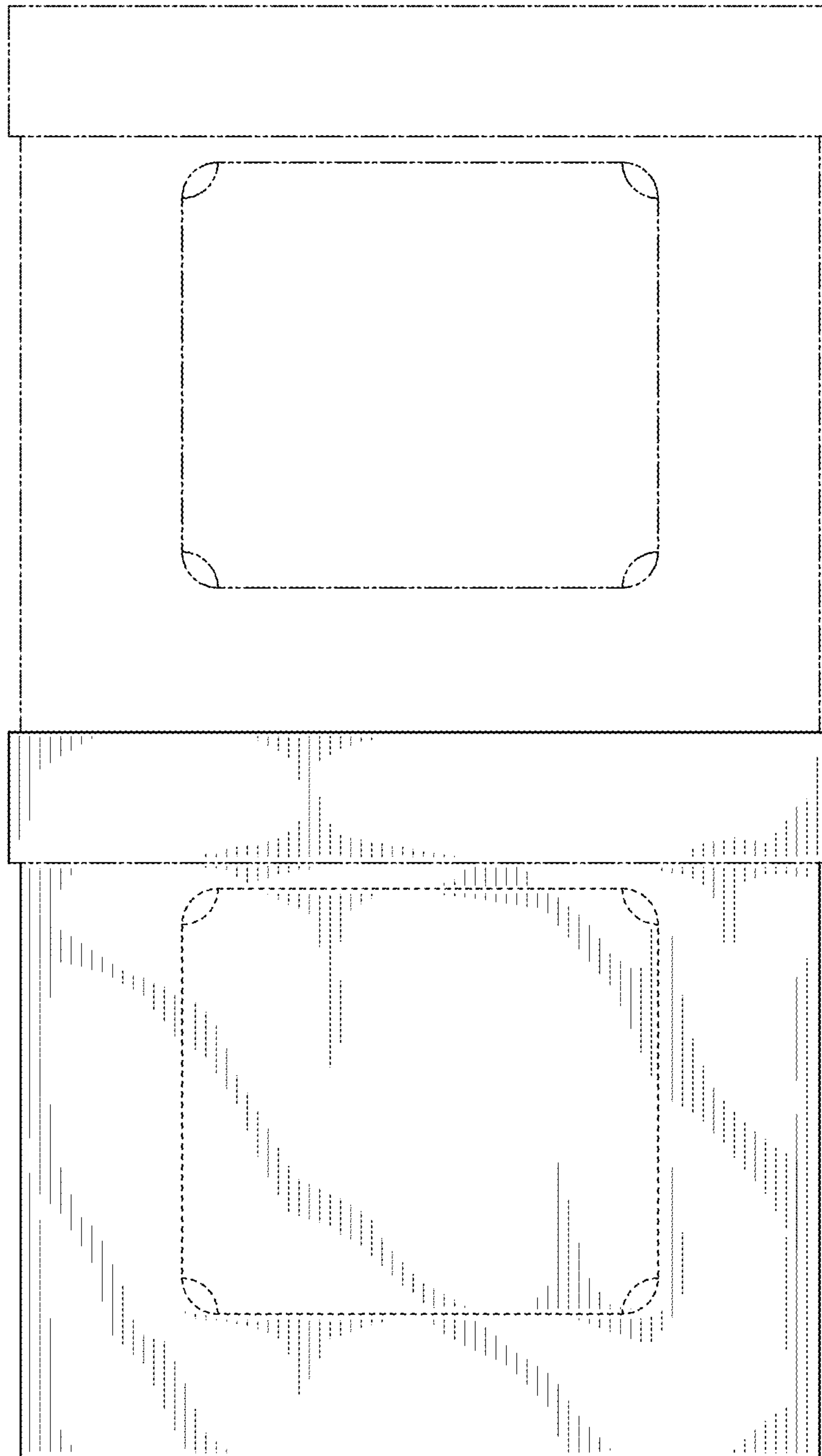


FIG. 13

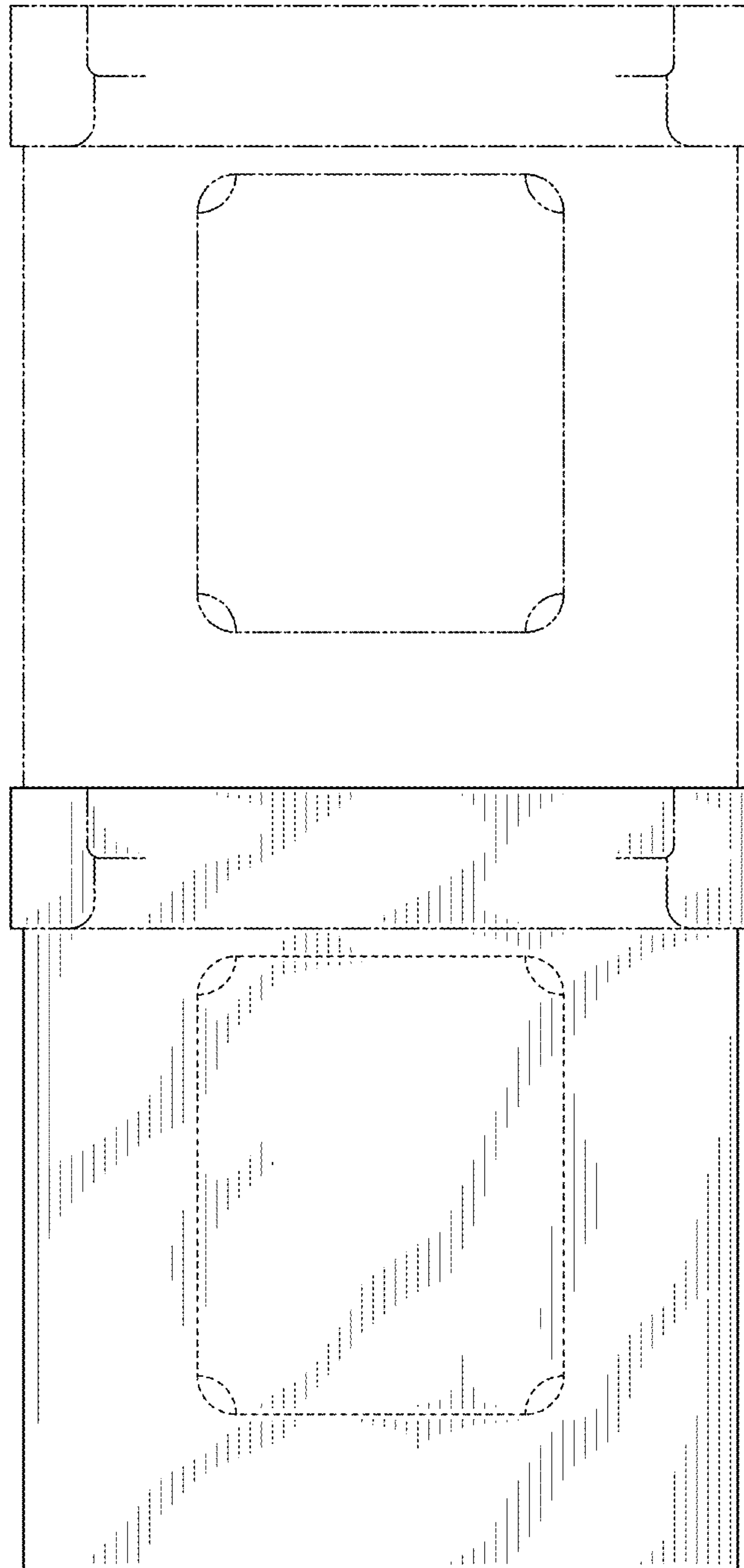


FIG. 14

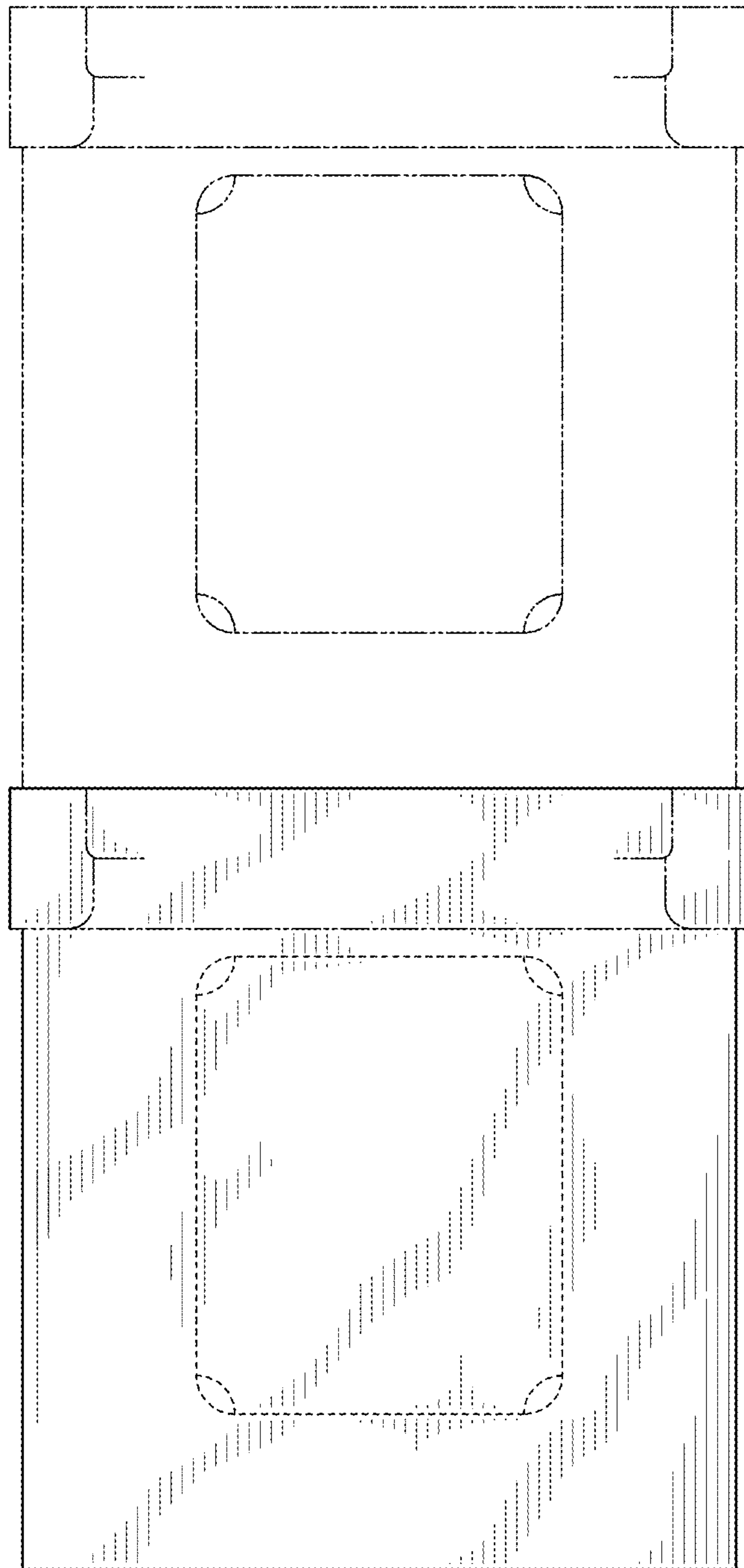


FIG. 15

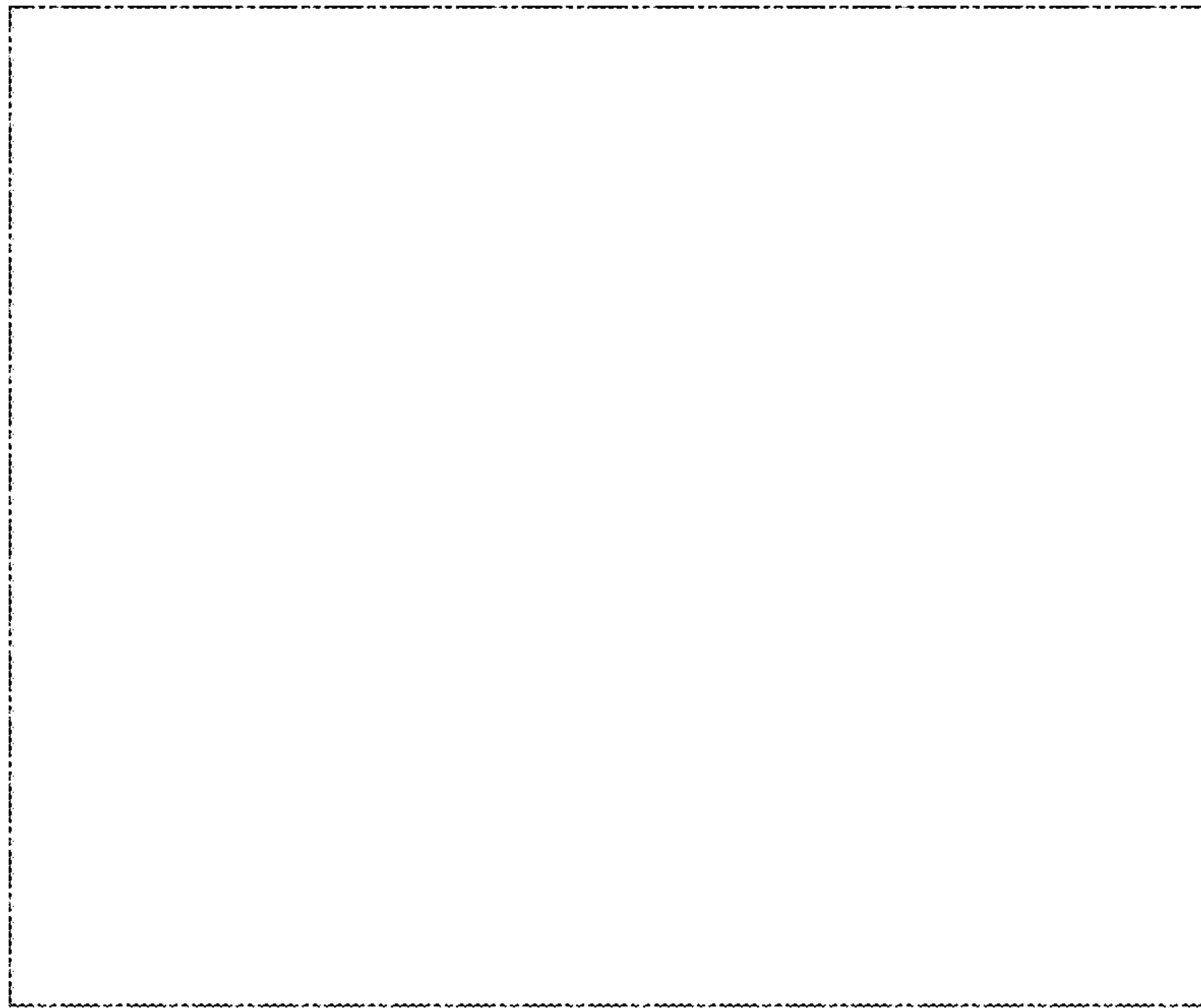


FIG. 16

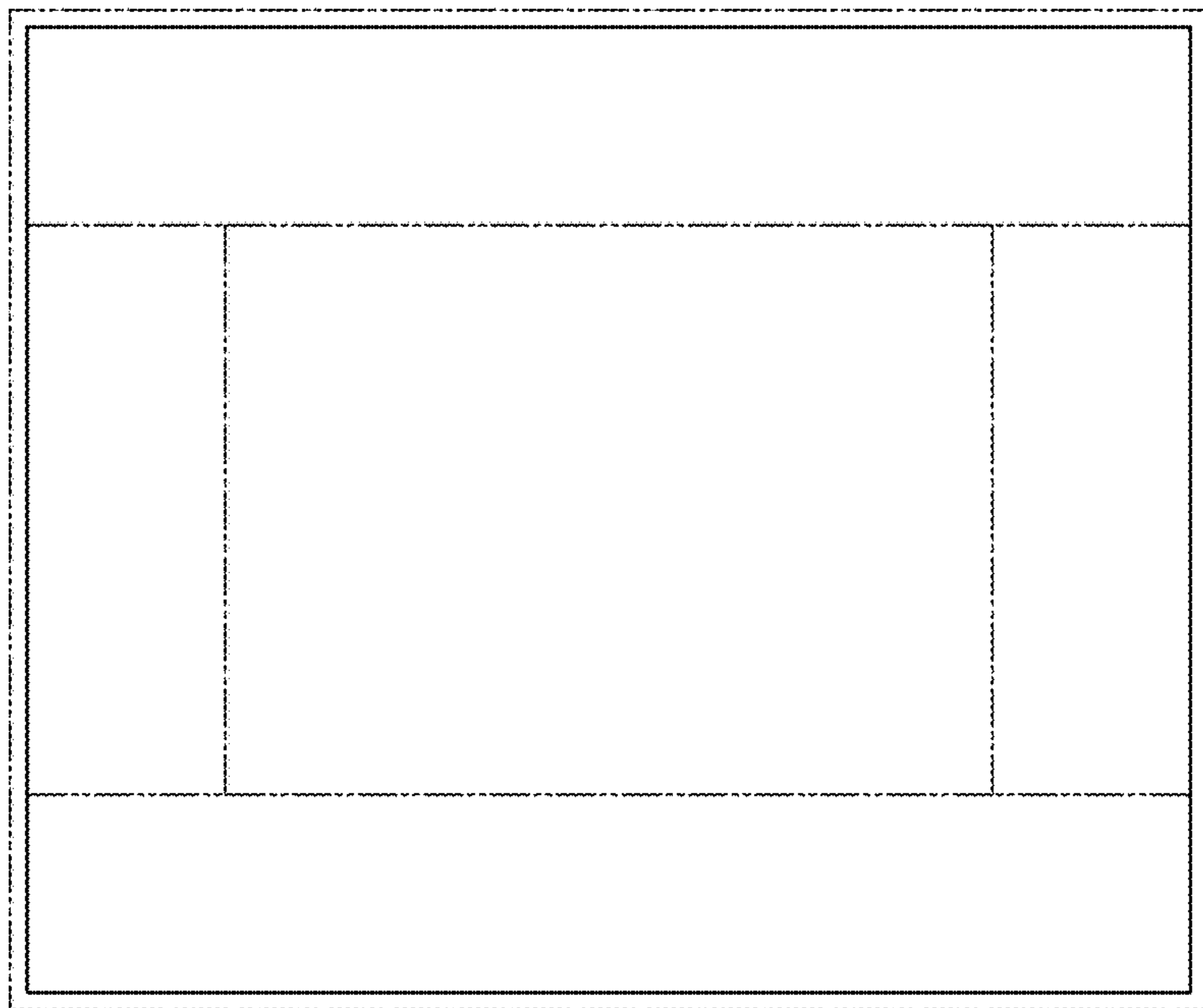


FIG. 17

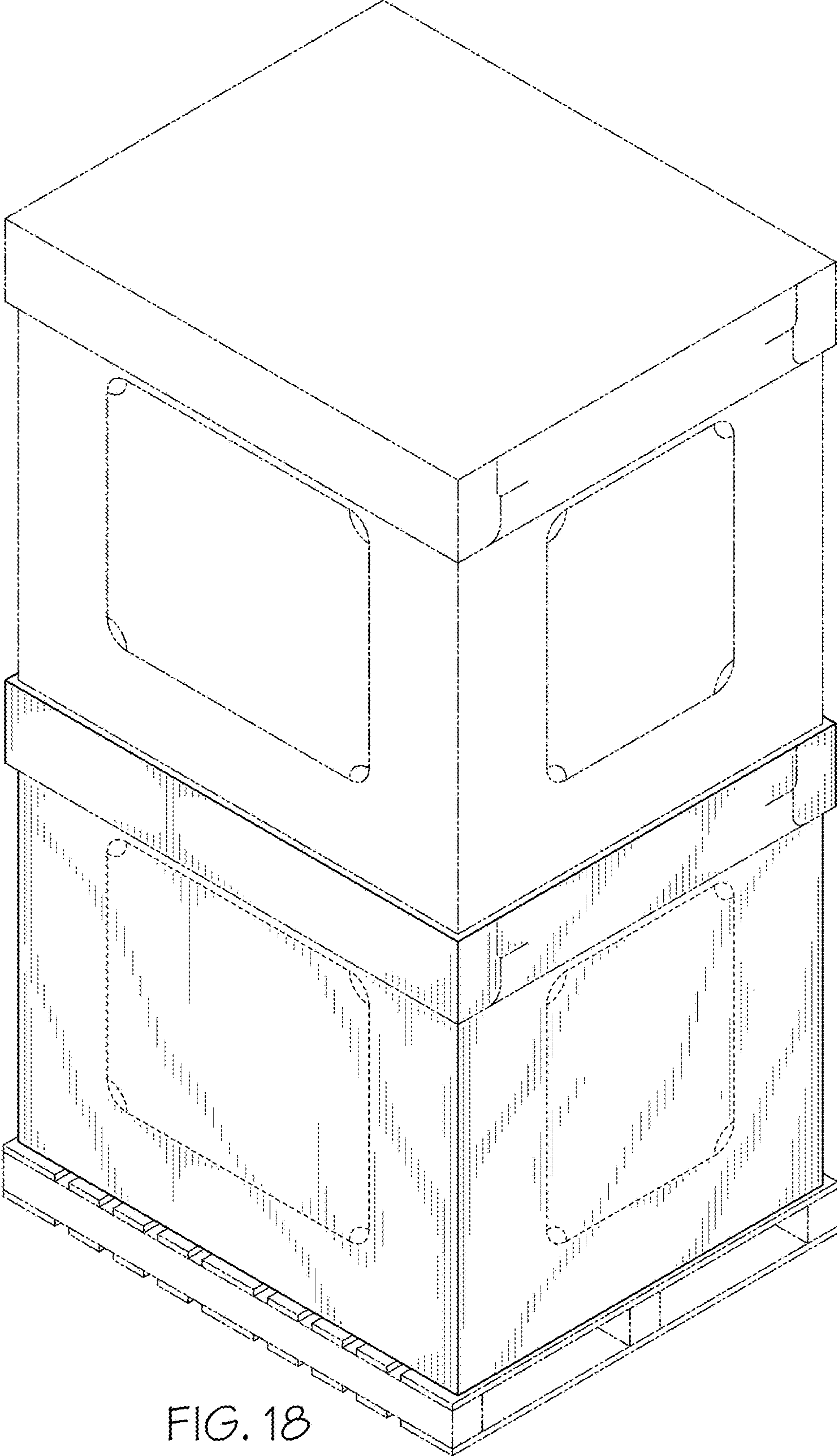


FIG. 18

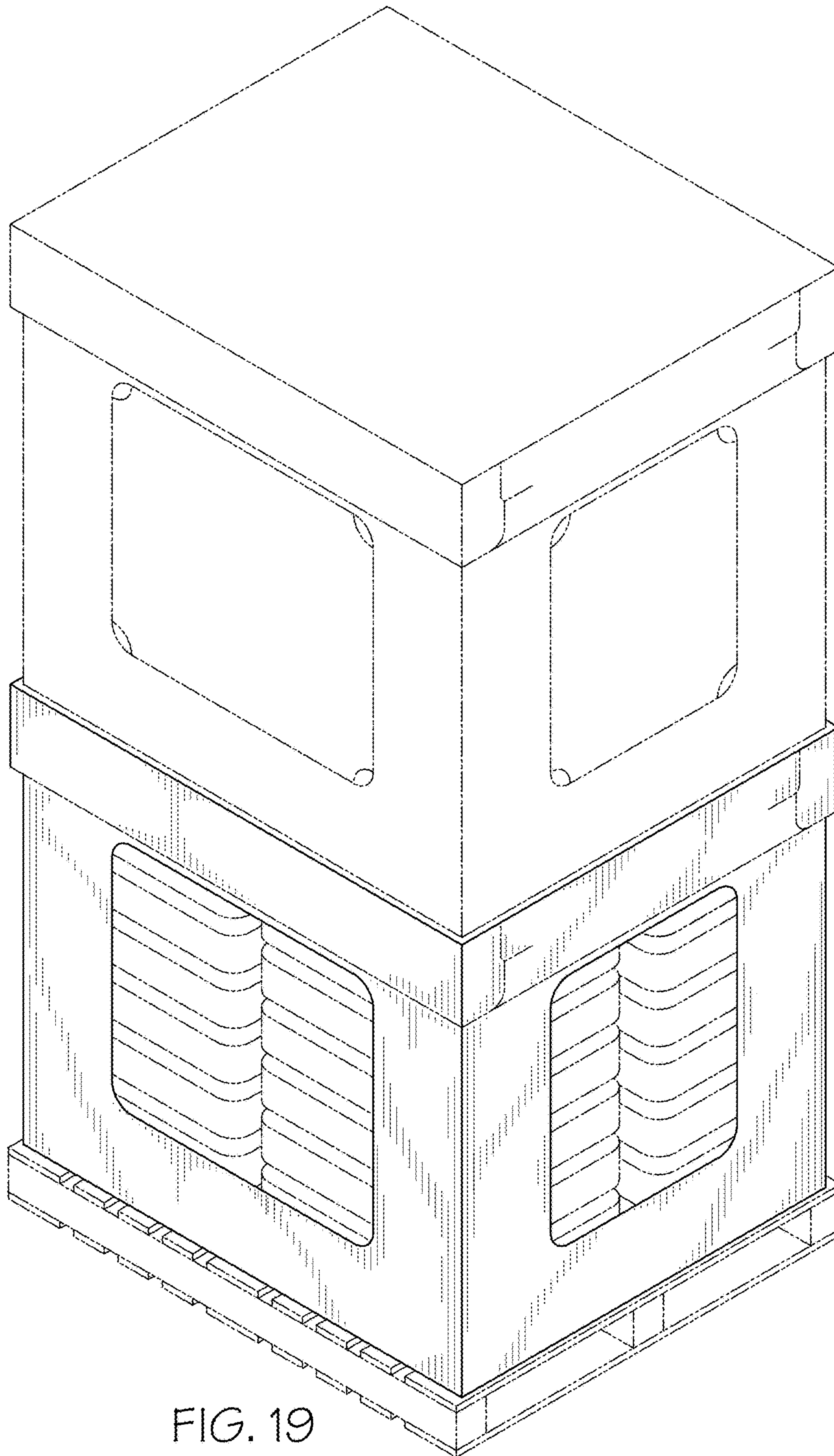


FIG. 19