

US00D818812S

(12) **United States Design Patent**
Schrawder

(10) **Patent No.:** **US D818,812 S**
(45) **Date of Patent:** **** May 29, 2018**

(54) PROPELLER NUT	4,890,967 A * 1/1990 Rosenbaum F16B 37/14 411/377
(71) Applicant: Laurence T. Schrawder , Berlin, MD (US)	D311,131 S * 10/1990 Saito D8/397 5,048,898 A * 9/1991 Russell B60B 7/00 301/37.374
(72) Inventor: Laurence T. Schrawder , Berlin, MD (US)	5,380,070 A * 1/1995 FitzGerald B60B 7/00 301/108.4
(73) Assignee: Laurence T. Schrawder , Berlin, MD (US)	5,611,718 A 3/1997 Nishiyama D379,428 S * 5/1997 Fling D8/399 5,857,818 A * 1/1999 Bias, Sr. F16B 37/14 411/373
(**) Term: 15 Years	D412,557 S * 8/1999 Palestrant D23/214 D420,897 S * 2/2000 Fuller D8/397 6,053,681 A * 4/2000 Mattershead F16B 37/14 411/14
(21) Appl. No.: 29/601,225	D439,213 S * 3/2001 Huang D12/213

(Continued)

(22) Filed: **Apr. 20, 2017**

(51) **LOC (11) Cl.** **08-08**

(52) **U.S. Cl.**
USPC **D8/397**

(58) **Field of Classification Search**
USPC D8/399, 382, 349, 397, 394
CPC F16B 39/24; F16B 31/028; F16B 39/28;
F16B 41/002; E04G 25/065; F01L 9/04;
B25B 13/50

See application file for complete search history.

Primary Examiner — Cynthia Underwood
(74) *Attorney, Agent, or Firm* — Mattingly & Malur, PC

(57) **CLAIM**

The ornamental design for a propeller nut, as illustrated and described.

DESCRIPTION

FIG. 1 is a front perspective view of my new design for a propeller nut shown reduced in size and in an environment of use.

FIG. 2 is a front perspective view thereof;
FIG. 3 is a rear perspective view thereof;
FIG. 4 is a front elevation view thereof;
FIG. 5 is a rear elevation view thereof;
FIG. 6 is a top plan view thereof;
FIG. 7 is a bottom plan view thereof;
FIG. 8 is a left side elevation view thereof; and,
FIG. 9 is a right side elevation view thereof.

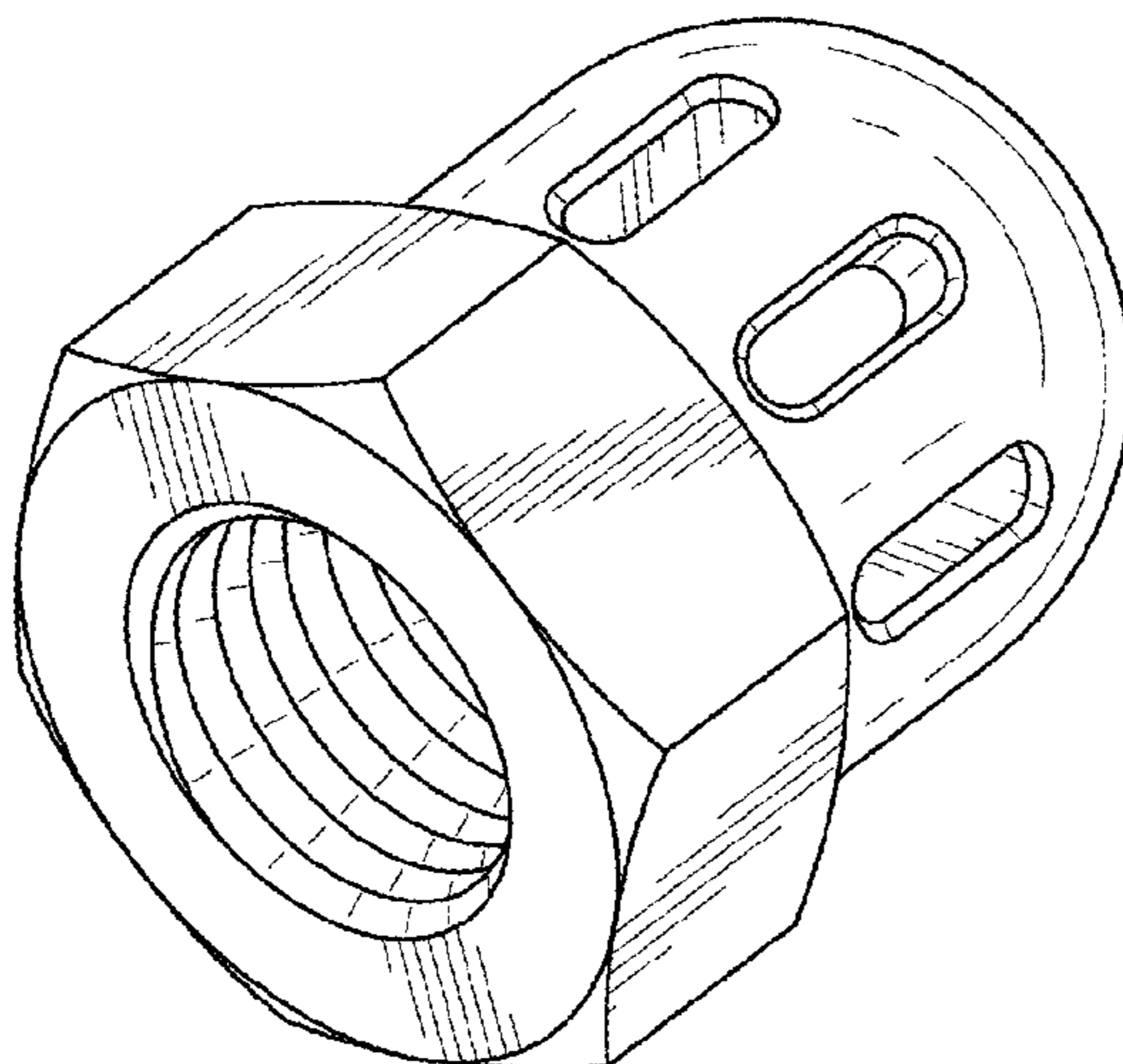
The broken lines showing a propeller, propeller shaft; and jamb nut are included for showing unclaimed subject matter and form no part of the claimed design.

(56) **References Cited**

U.S. PATENT DOCUMENTS

1,162,467 A * 11/1915 Gibbon et al. F16B 37/14 24/694
1,746,806 A 2/1930 Weidinger
2,534,446 A 12/1950 Howard
2,569,144 A 9/1951 Benson
2,689,541 A 9/1954 Williams
2,916,897 A 12/1959 Stokking, Jr.
3,132,698 A 5/1964 Leshner
3,792,938 A 2/1974 Wilde
3,981,617 A 9/1976 Milewicz
4,077,742 A 3/1978 Goodwin
4,175,605 A 11/1979 Johnson
4,659,273 A * 4/1987 Dudley F16B 41/005 411/373

1 Claim, 3 Drawing Sheets



(56)

References Cited

U.S. PATENT DOCUMENTS

6,238,158	B1 *	5/2001	Clements	F16B 37/14 411/372.6
D445,085	S *	7/2001	Herrera	D12/213
D472,867	S *	4/2003	Smartt	D12/213
6,595,597	B2 *	7/2003	Marczynski	F16B 1/0071 116/212
7,048,510	B2	5/2006	Hedlund	
D524,149	S *	7/2006	Kim	D8/397
D566,028	S *	4/2008	Wright	D12/207
7,392,674	B1 *	7/2008	Grote	F16B 37/14 411/910
D577,795	S *	9/2008	Smith	D23/262
D606,853	S *	12/2009	Shapiro	D8/397
D623,049	S *	9/2010	Zeyfang	D8/397
8,366,367	B2 *	2/2013	Matlock	F16B 37/14 411/372.6
D761,630	S *	7/2016	Li	D8/29
D795,398	S *	8/2017	Decaria	D23/260
D805,882	S *	12/2017	Berry	D8/382
2006/0171794	A1 *	8/2006	Ordonio, Jr.	F16B 37/14 411/369
2014/0060260	A1 *	3/2014	Kluhsman, Jr.	B25B 27/0035 81/121.1
2015/0132145	A1	5/2015	Taylor	

* cited by examiner

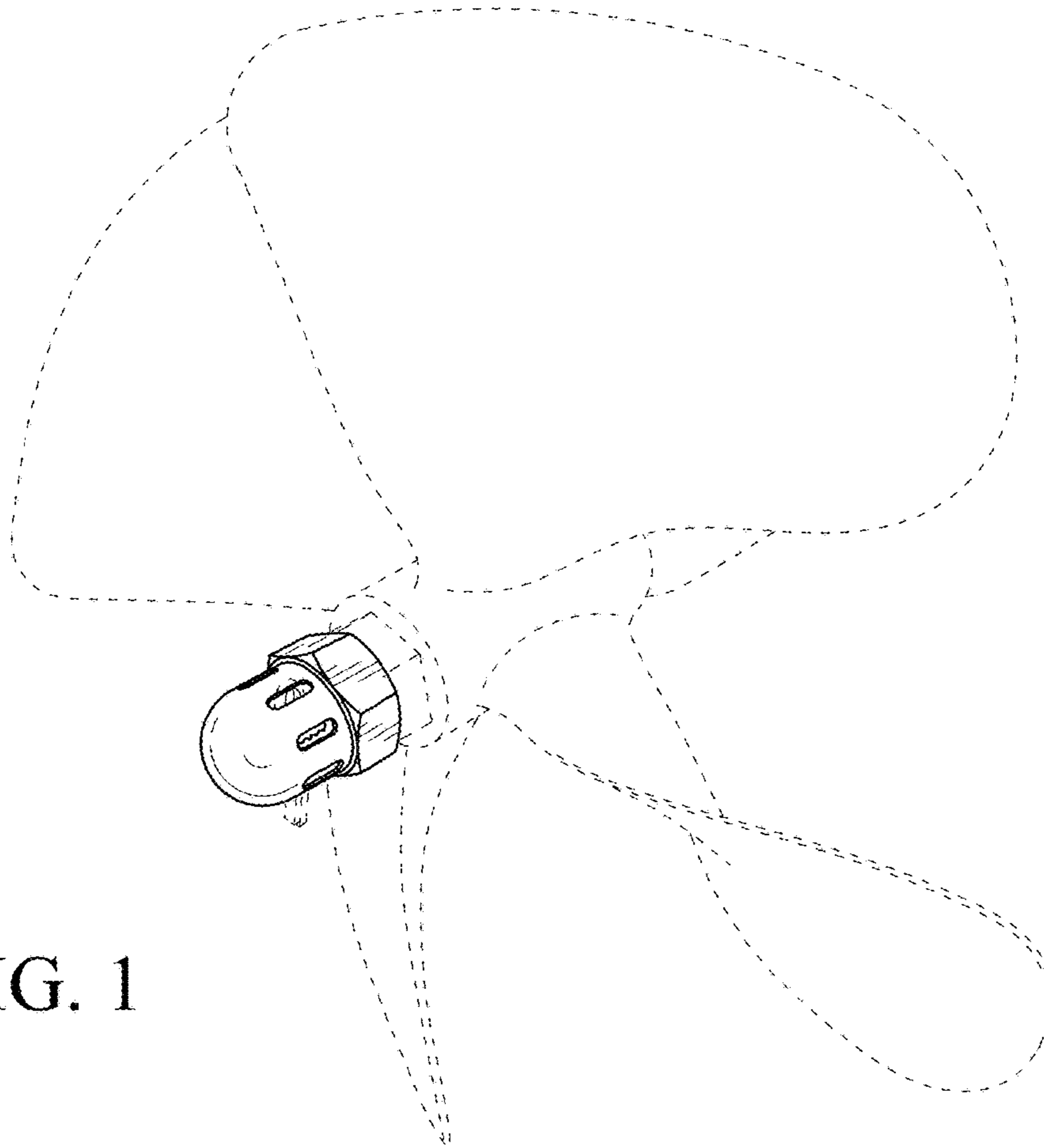


FIG. 1

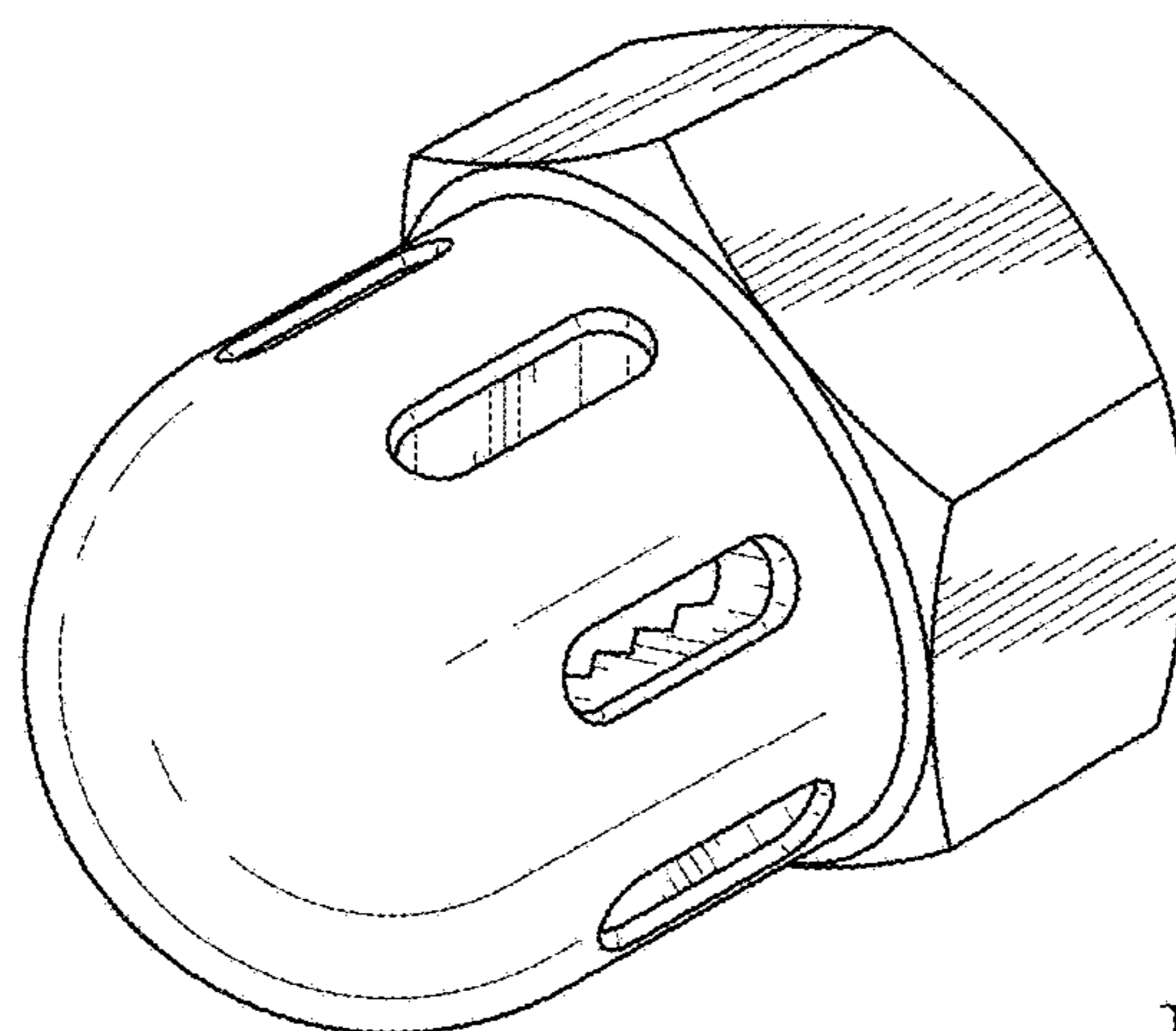


FIG. 2

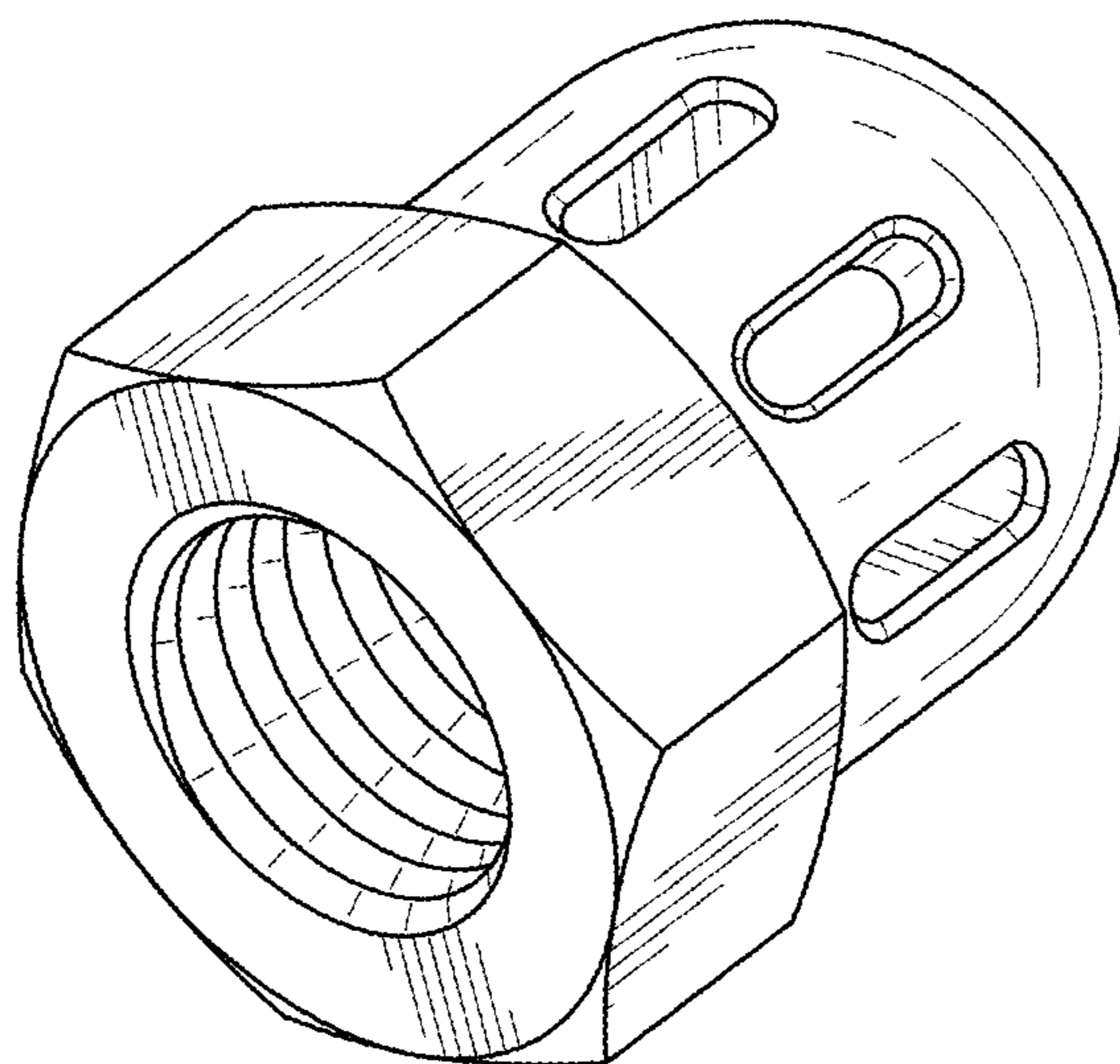


FIG. 3

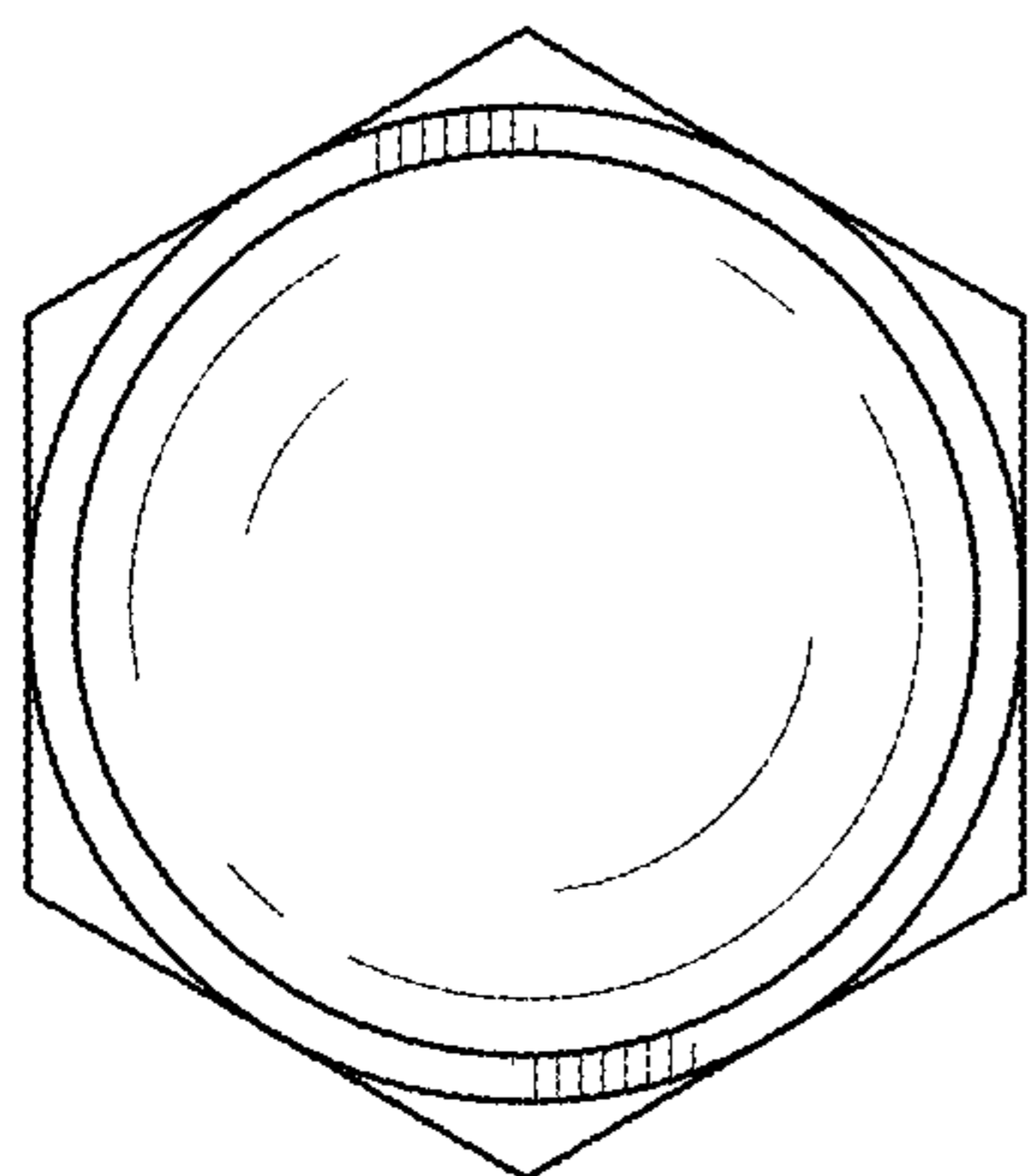


FIG. 4

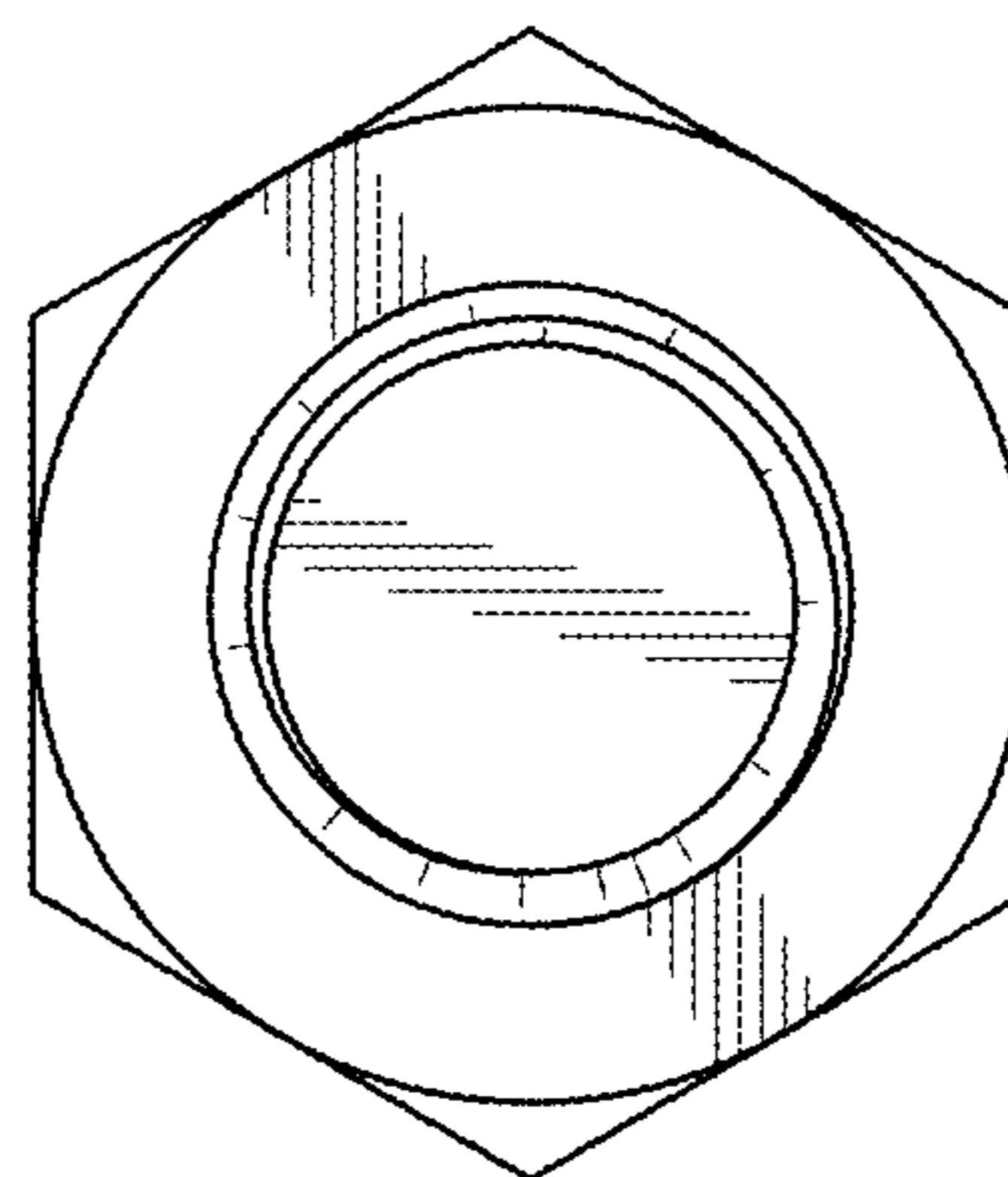


FIG. 5

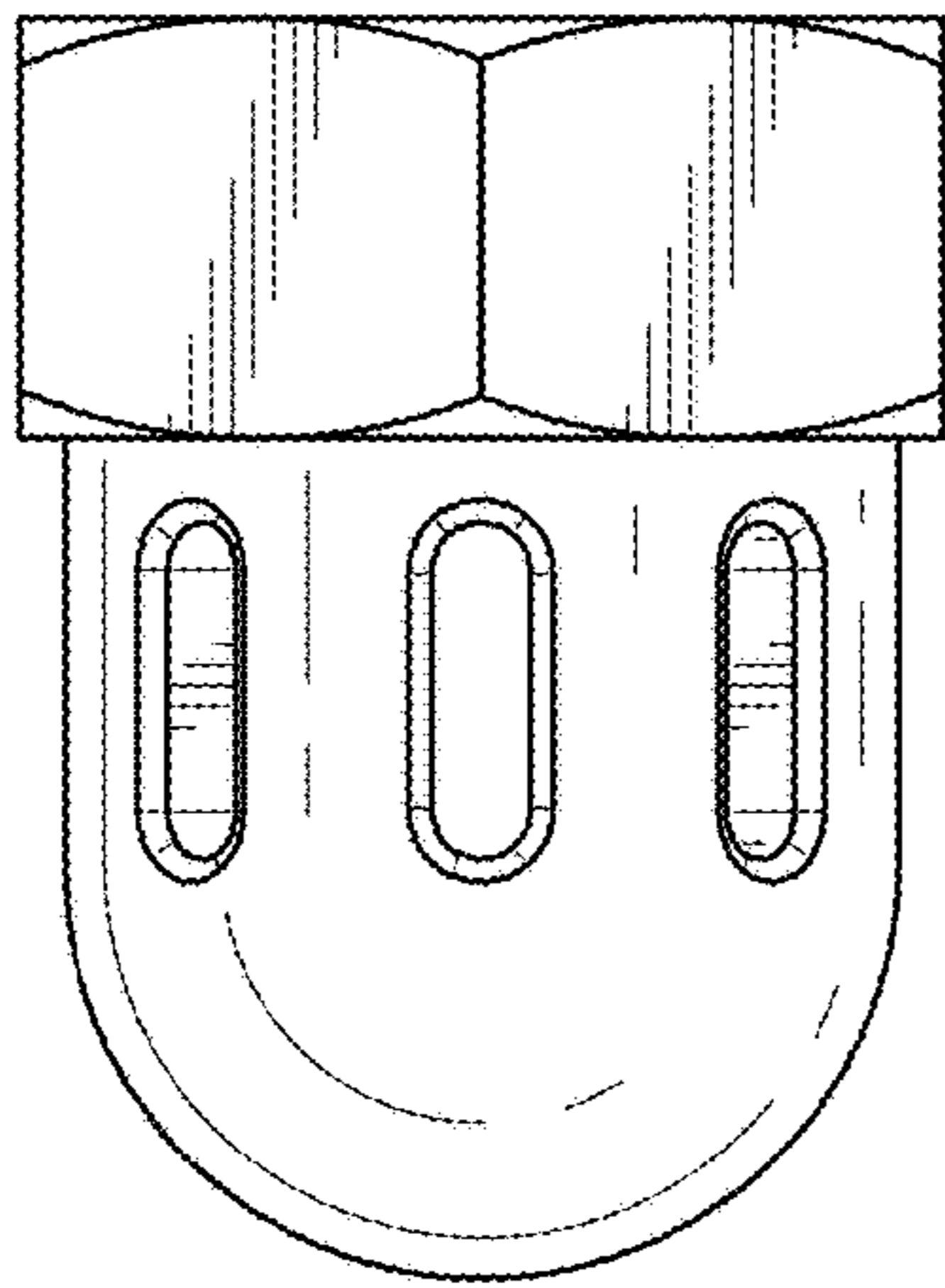


FIG. 6

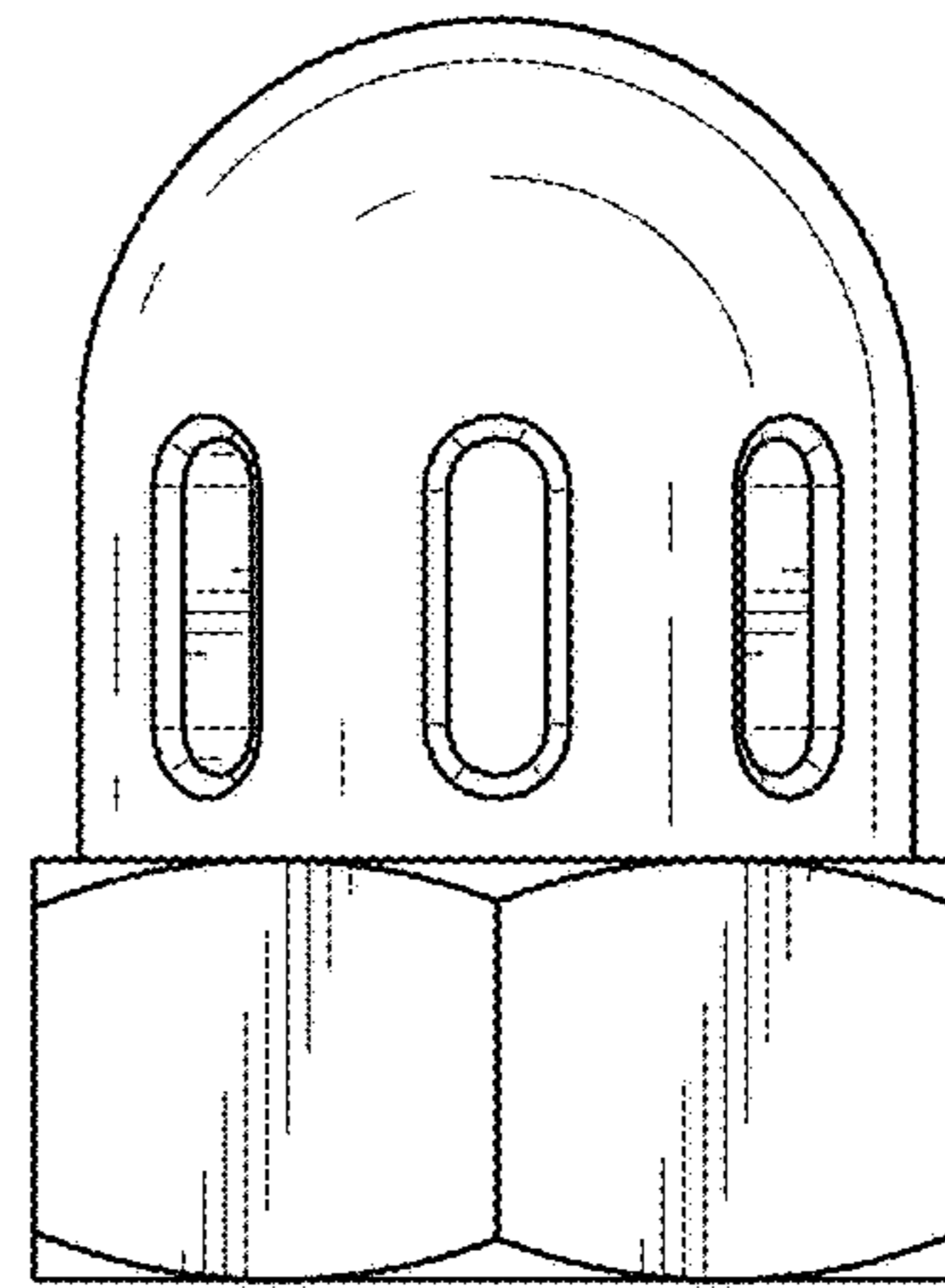


FIG. 7

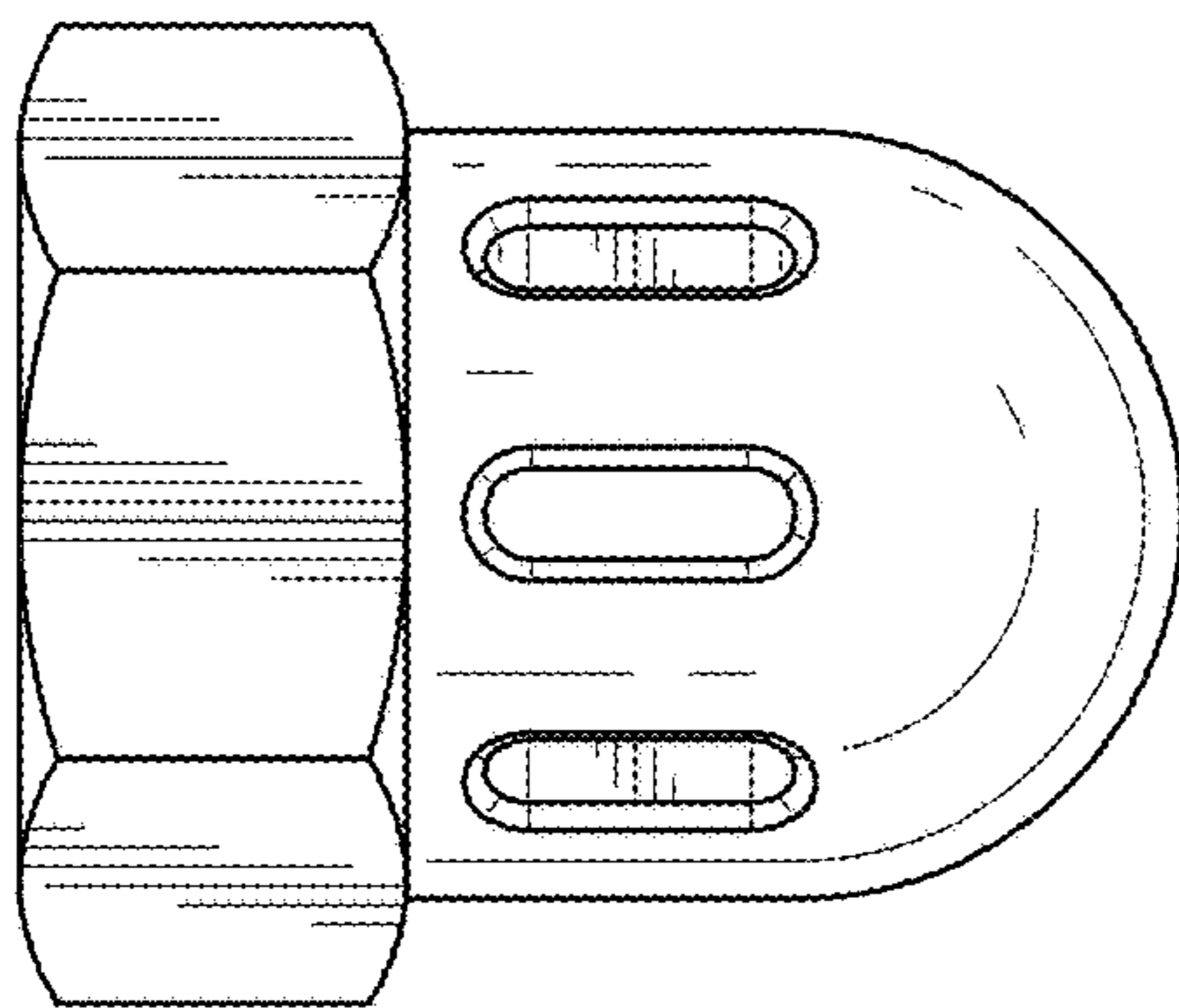


FIG. 8

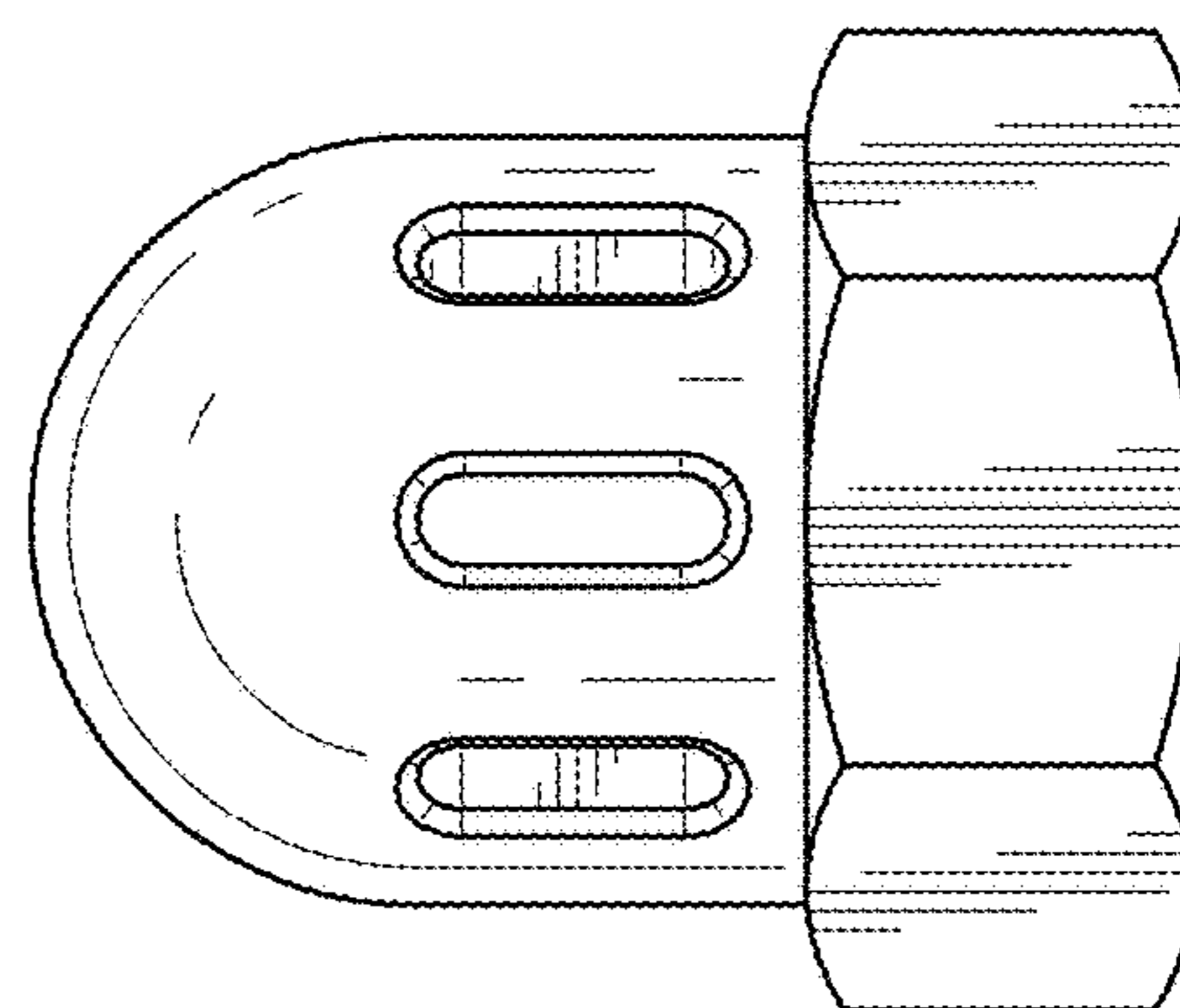


FIG. 9