



US00D818811S

(12) **United States Design Patent**
Hattori

(10) **Patent No.:** **US D818,811 S**

(45) **Date of Patent:** **** May 29, 2018**

- (54) **NUT**
- (71) Applicant: **PIOLAX, INC.**, Yokohama-shi (JP)
- (72) Inventor: **Ryu Hattori**, Yokohama (JP)
- (73) Assignee: **PIOLAX, INC.**, Yokohama-Shi,
Kanagawa (JP)
- (**) Term: **15 Years**

| | | | |
|--------------|--------|----------------|---------|
| D425,779 S * | 5/2000 | Nakamura | D8/356 |
| D516,904 S * | 3/2006 | Kendrick | D8/395 |
| D537,334 S * | 2/2007 | Lee | D8/396 |
| D636,661 S * | 4/2011 | Marmas | D8/395 |
| D665,660 S * | 8/2012 | Heindl | D8/382 |
| D702,113 S * | 4/2014 | Weger | D8/396 |
| D736,060 S * | 8/2015 | Shimizu | D8/349 |
| D763,066 S * | 8/2016 | Sugimoto | D8/382 |
| D797,937 S * | 9/2017 | Dacosta | D24/171 |
| D798,136 S * | 9/2017 | Pittman | D8/382 |

* cited by examiner

(21) Appl. No.: **29/594,638**

(22) Filed: **Feb. 21, 2017**

(30) **Foreign Application Priority Data**

Sep. 14, 2016 (JP) 2016-019861

(51) **LOC (11) Cl.** **08-08**

(52) **U.S. Cl.**
USPC **D8/397**

(58) **Field of Classification Search**
USPC D8/399, 382, 349, 397, 394
CPC F16B 39/24; F16B 31/028; F16B 39/28;
F16B 41/002; E04G 25/065; F01L 9/04;
B25B 13/50
See application file for complete search history.

(56) **References Cited**

U.S. PATENT DOCUMENTS

| | | | |
|---------------|--------|----------------|-----------------------|
| 3,516,631 A * | 6/1970 | Santucci | F16L 3/12 24/16 PB |
| 4,609,171 A * | 9/1986 | Matsui | F16L 3/12 24/16 PB |

Primary Examiner — Cynthia Underwood

(74) *Attorney, Agent, or Firm* — McGinn IP Law Group,
PLLC

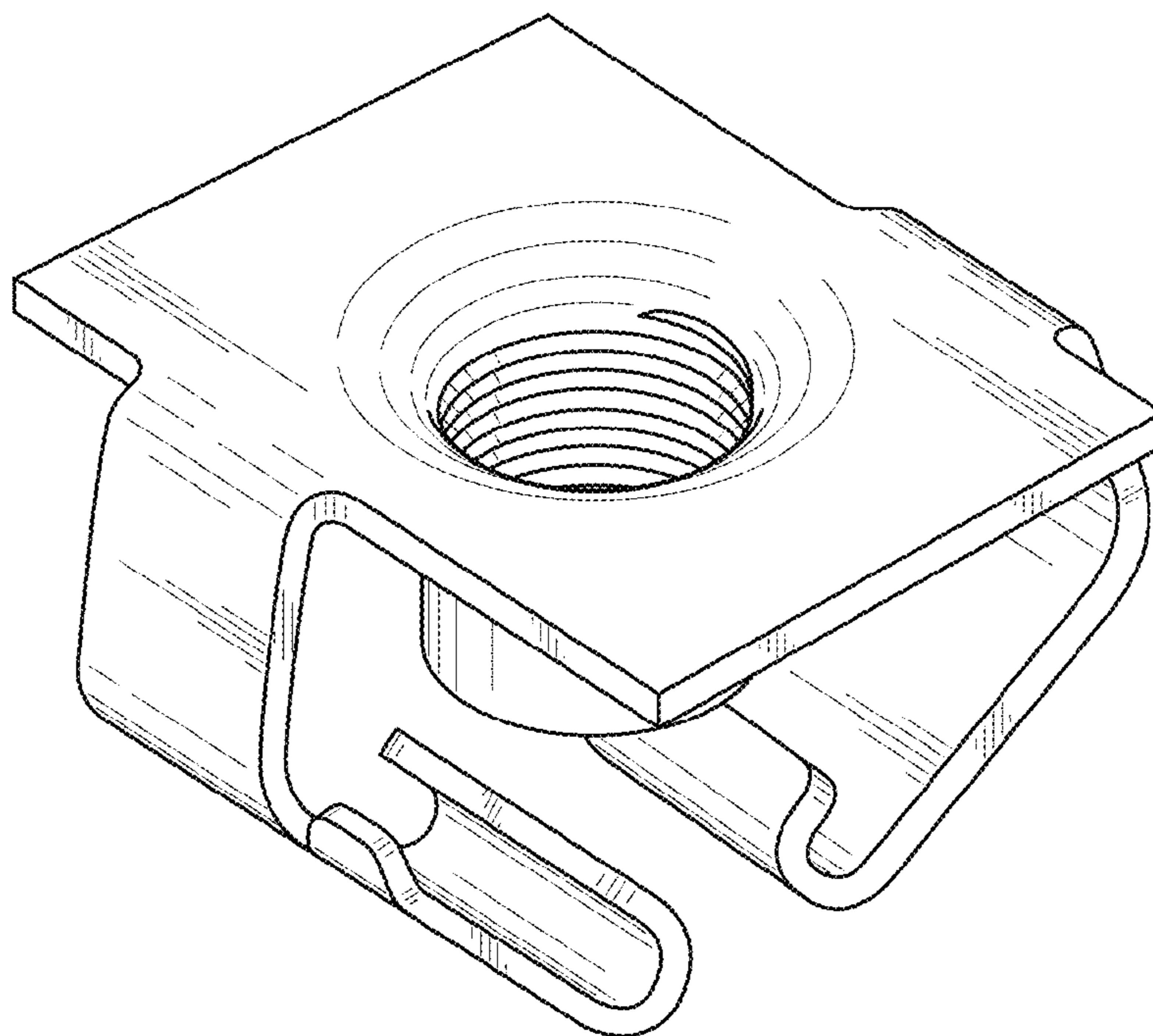
(57) **CLAIM**

The ornamental design for a nut, as shown and described.

DESCRIPTION

FIG. 1 is a perspective view of a nut showing my new design;
 FIG. 2 is a front view thereof;
 FIG. 3 is a rear view thereof;
 FIG. 4 is a left side view thereof;
 FIG. 5 is a right side view thereof;
 FIG. 6 is a top view thereof;
 FIG. 7 is a bottom view thereof;
 FIG. 8 is a cross-sectional view thereof, taken along the line 8-8 in FIG. 6; and,
 FIG. 9 is a left or right side view thereof shown in an unclaimed environment of use.

1 Claim, 5 Drawing Sheets



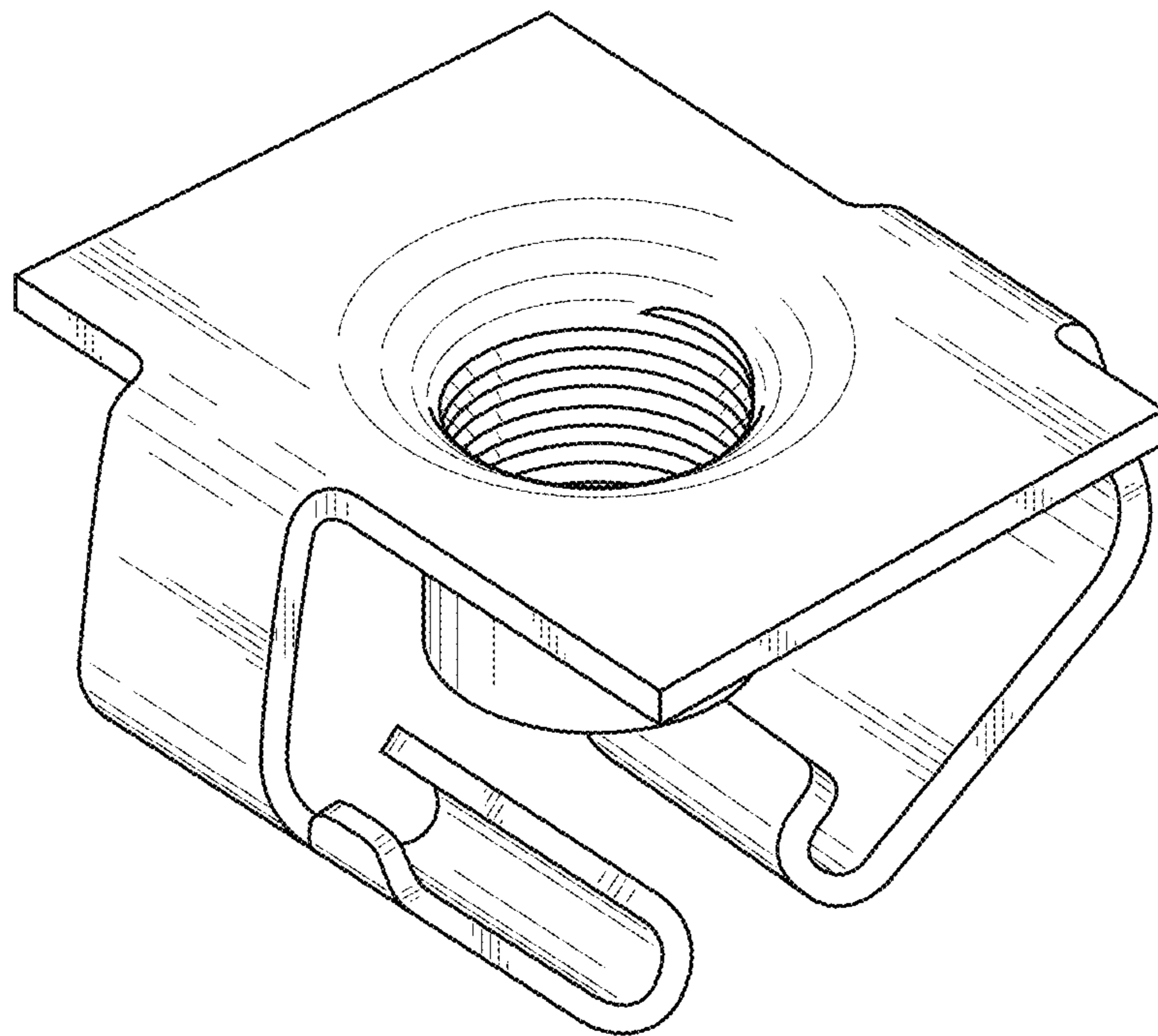


FIG. 1

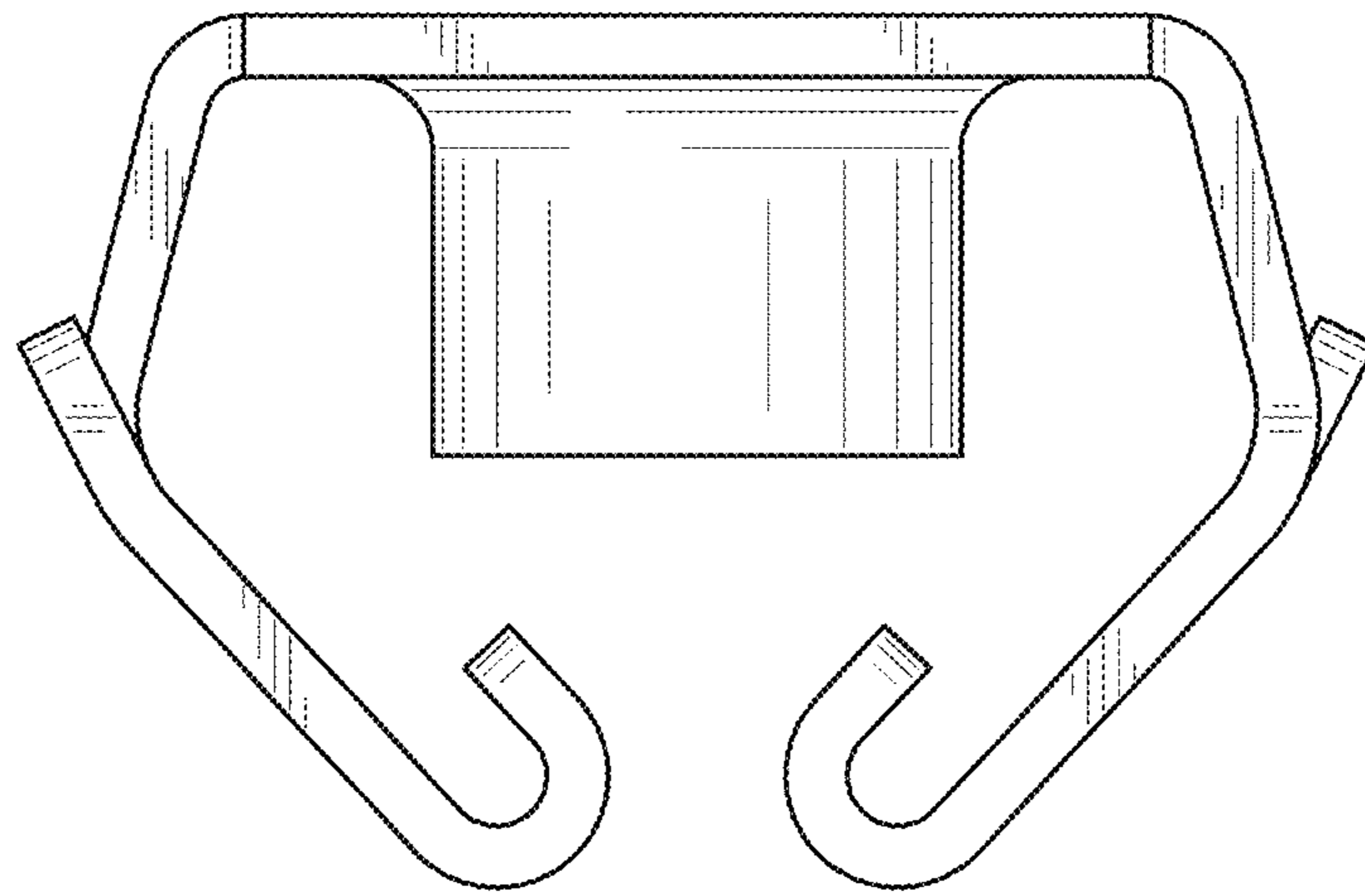


FIG. 2

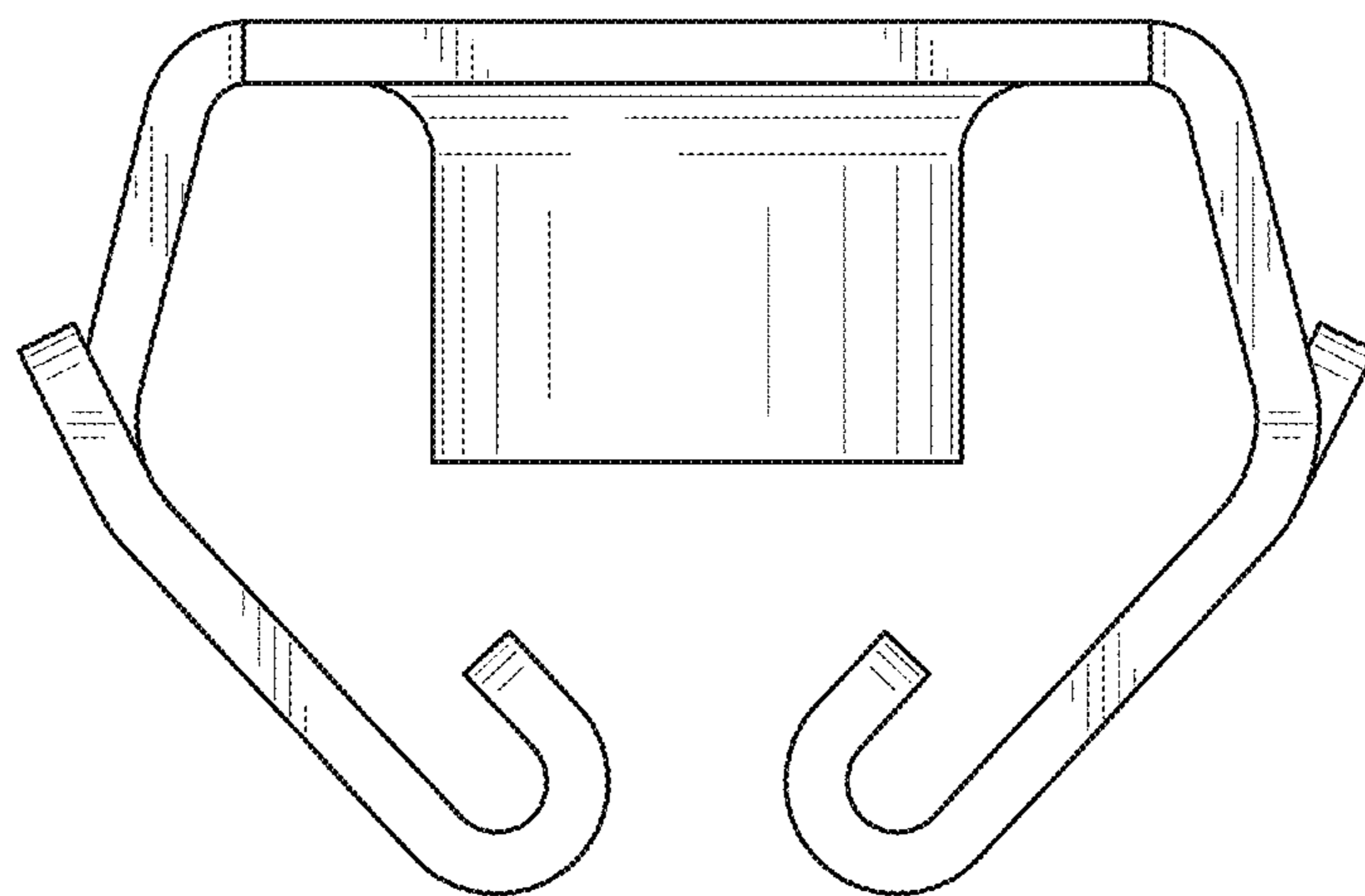


FIG. 3

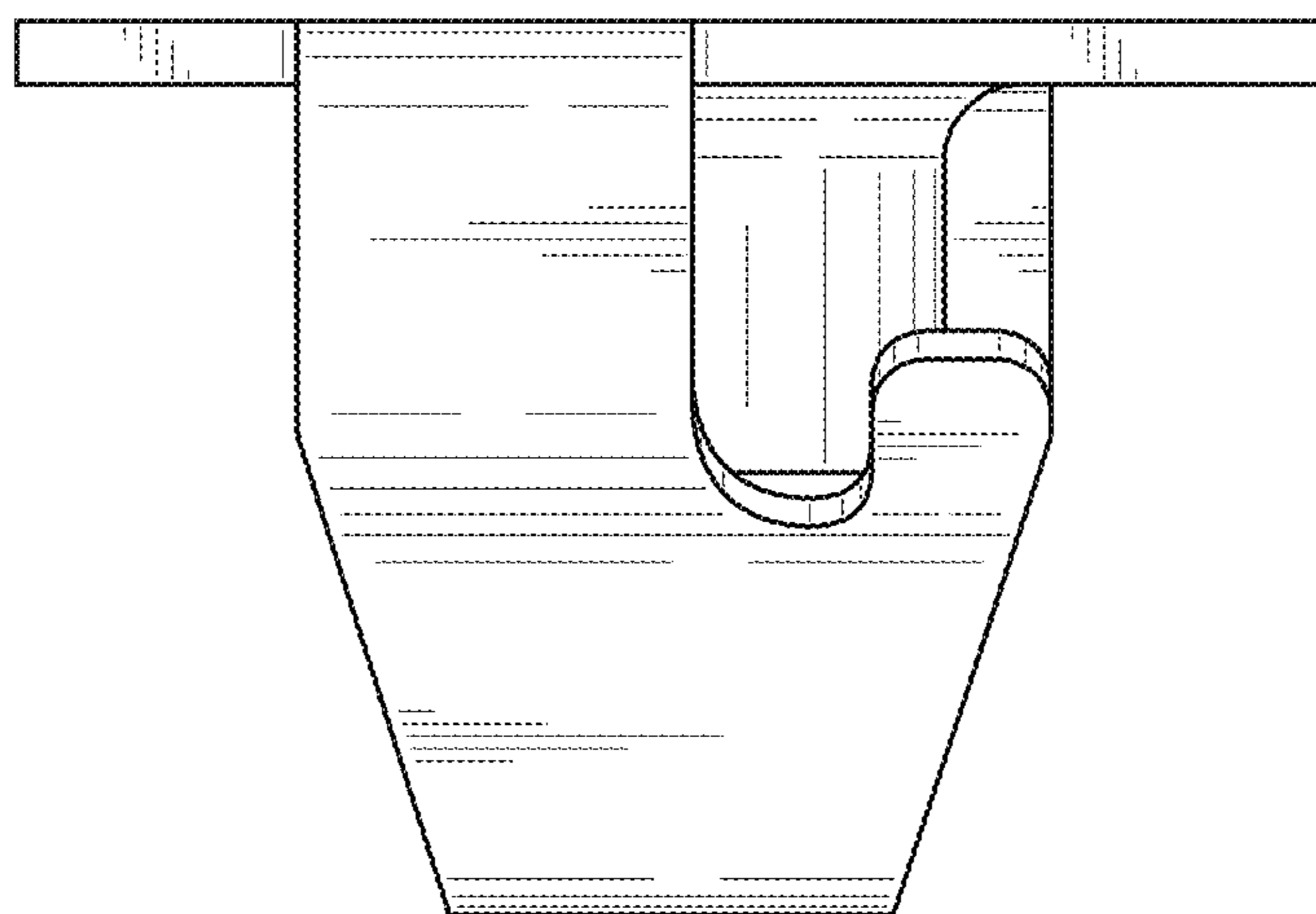


FIG. 4

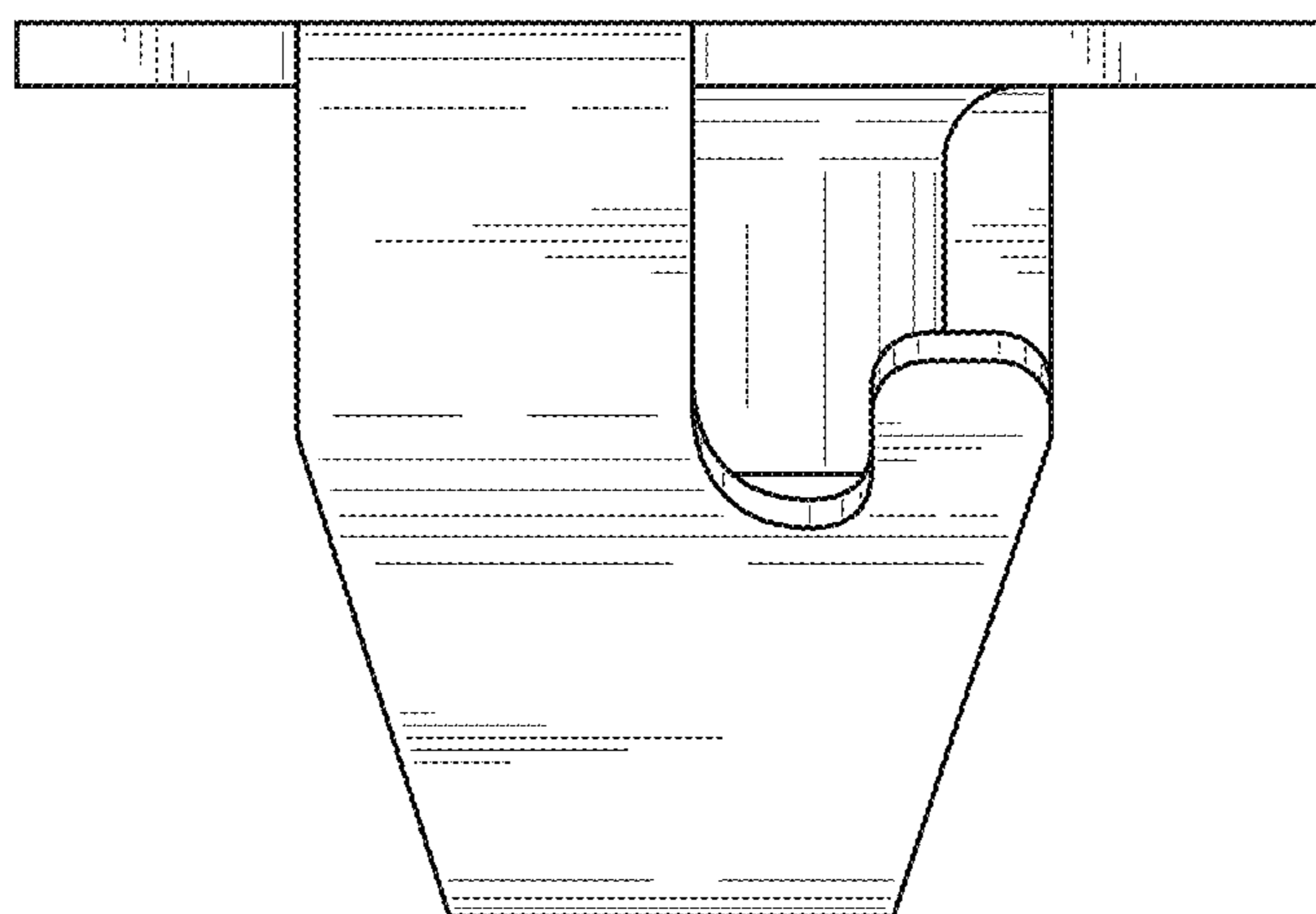


FIG. 5

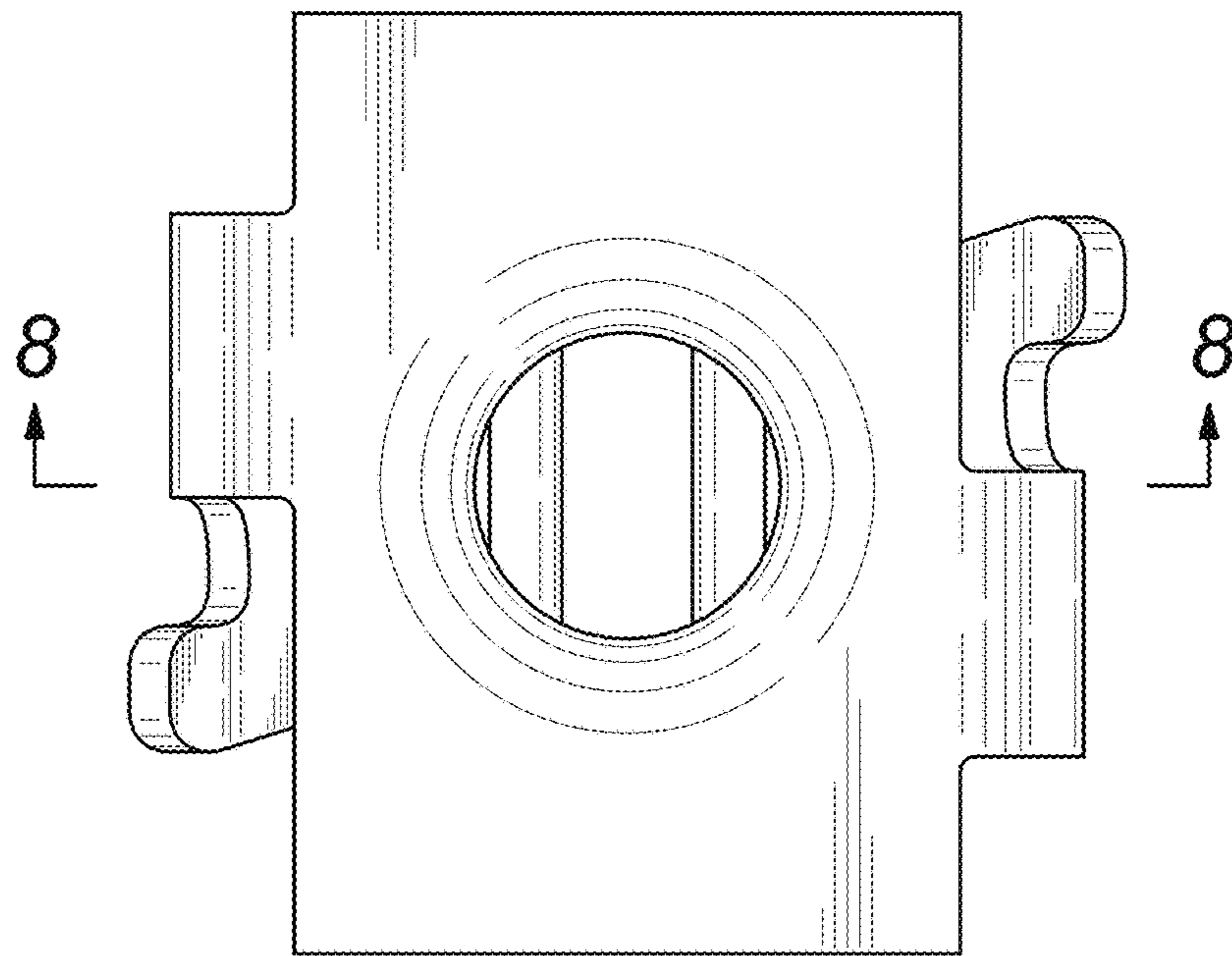


FIG. 6

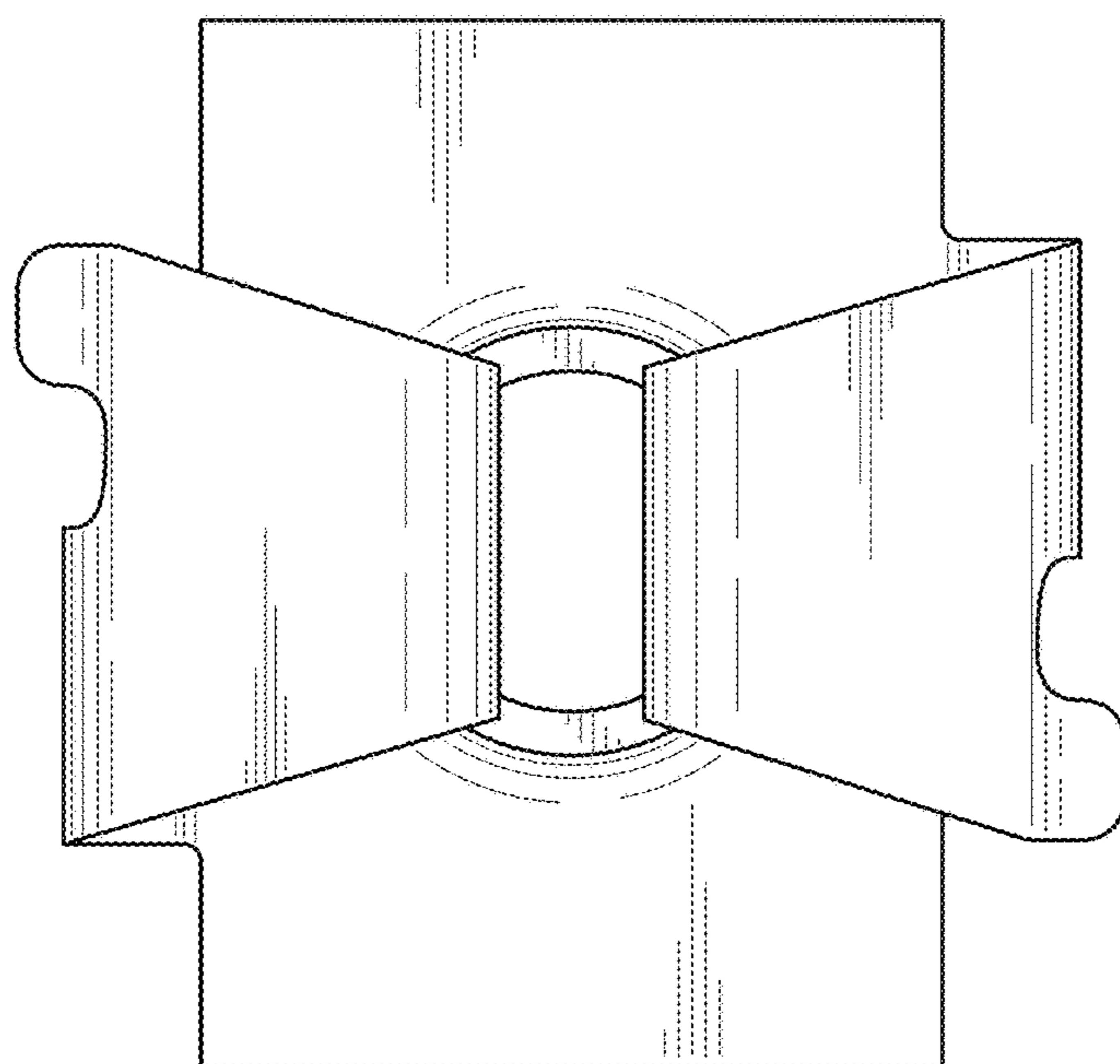


FIG. 7

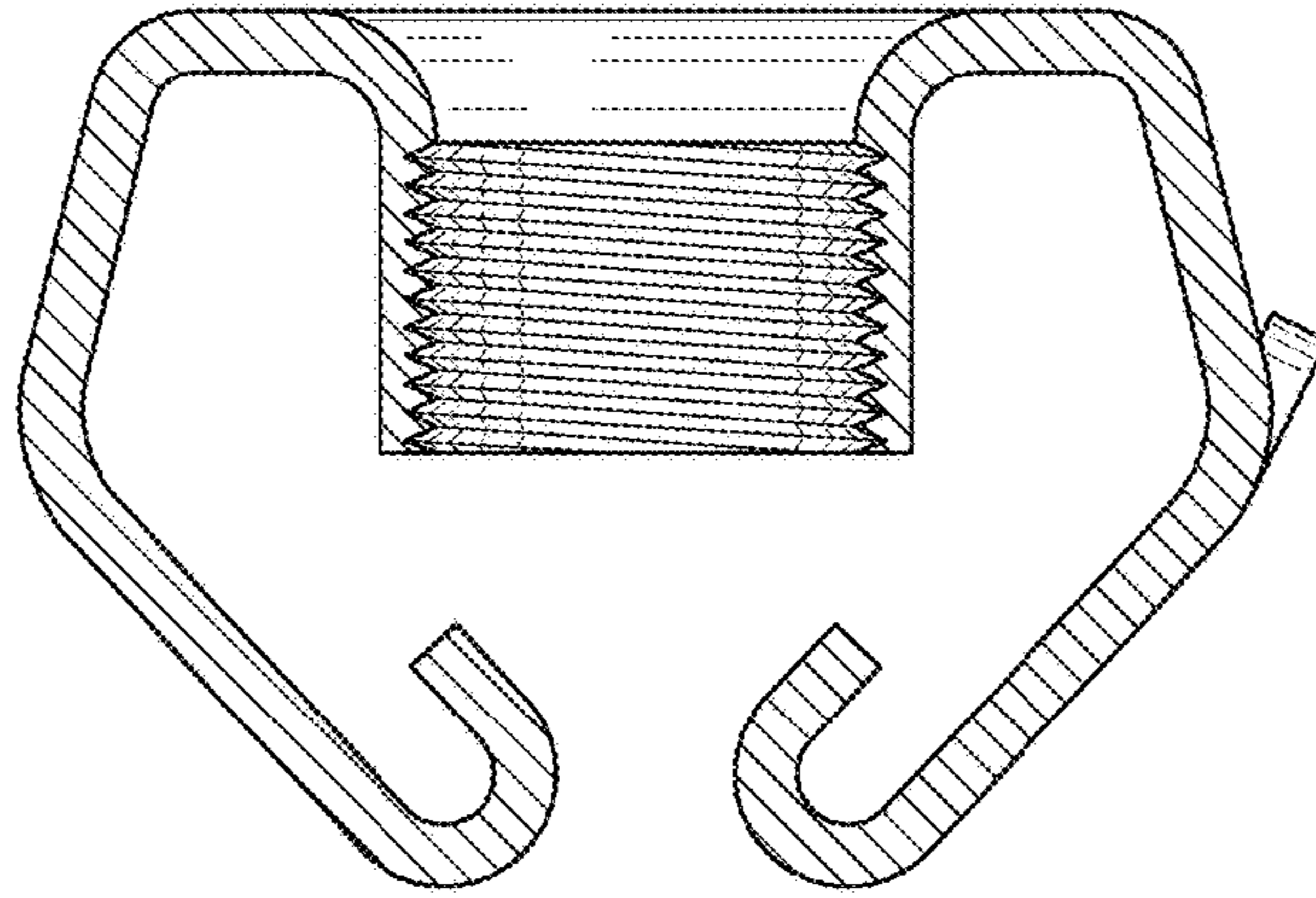


FIG. 8

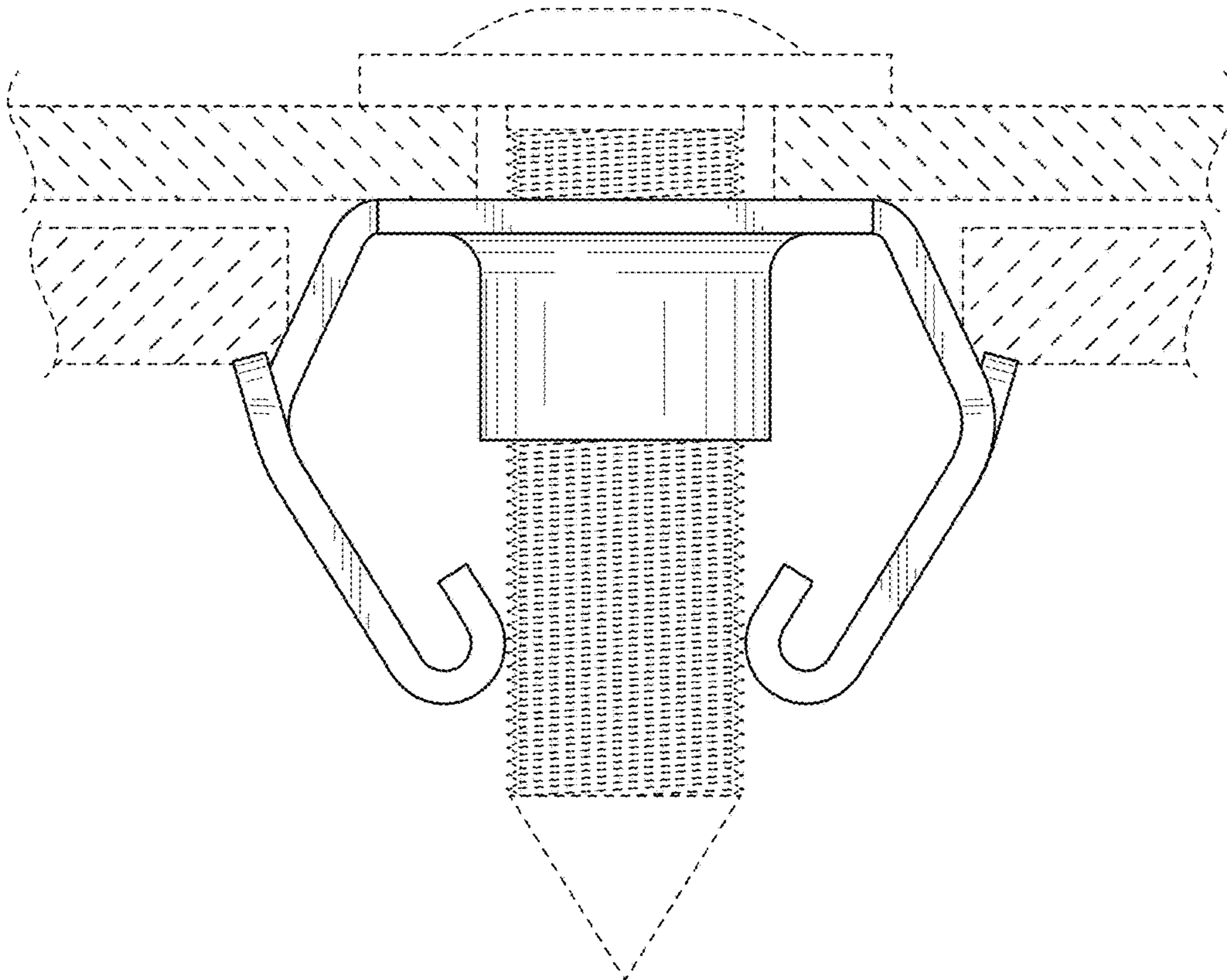


FIG. 9