



US00D818807S

(12) **United States Design Patent**
Gomez Garcia

(10) **Patent No.:** **US D818,807 S**

(45) **Date of Patent:** **** May 29, 2018**

- (54) **SCREW**
- (71) Applicant: **Tecnicas Expansivas, S.L.**, Logrono, La Rioja (ES)
- (72) Inventor: **Valentin Gomez Garcia**, La Rioja (ES)
- (73) Assignee: **Tecnicas Expansivas, S.L.**, Logrono (ES)
- (**) Term: **15 Years**
- (21) Appl. No.: **29/586,601**
- (22) Filed: **Dec. 6, 2016**
- (51) **LOC (11) Cl.** **08-08**
- (52) **U.S. Cl.**
USPC **D8/387**
- (58) **Field of Classification Search**
USPC D8/349, 382, 385, 387, 388, 391, 393, D8/397, 399
CPC .. F16B 23/00; F16B 23/0061; F16B 23/0007; F16B 23/0069; F16B 25/0036; F16B 35/04; F16B 35/06; F16B 35/041; F16B 35/042; F16B 35/044; F16B 35/047; F16B 33/02; F16B 25/0078
See application file for complete search history.

D614,942 S *	5/2010	Gaudron	D8/387
D637,071 S *	5/2011	Gaudron	D8/387
D684,038 S *	6/2013	Lin	D8/387
2002/0114682 A1 *	8/2002	Forster	F16B 25/00 411/411
2003/0053883 A1 *	3/2003	Forster	F16B 35/06 411/161
2004/0184897 A1 *	9/2004	Levey	F16B 33/02 411/411
2006/0140738 A1 *	6/2006	Lin	F16B 25/0047 411/186
2008/0050198 A1 *	2/2008	Ayrle	F16B 13/002 411/386
2009/0003970 A1 *	1/2009	Griffith	F16B 25/0026 411/485
2009/0269164 A1 *	10/2009	Gonciarz	F16B 25/0026 411/416
2010/0047035 A1 *	2/2010	Rosenkranz	F16B 25/0026 411/387.4
2014/0023457 A1 *	1/2014	Gaudron	F16B 25/0026 411/424

* cited by examiner

Primary Examiner — Sandra S Snapp
Assistant Examiner — Ieisha N Price

(57) **CLAIM**

The ornamental design for a screw, as shown.

(56) **References Cited**

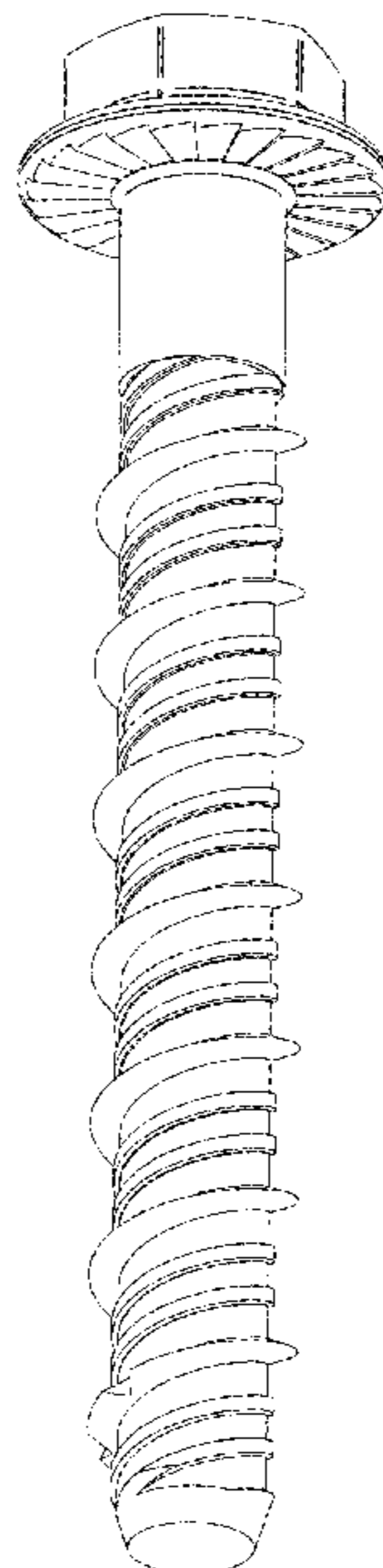
U.S. PATENT DOCUMENTS

5,957,646 A *	9/1999	Giannuzzi	F16B 25/00 411/311
6,296,433 B1 *	10/2001	Forsell	F16B 25/00 411/386
6,332,741 B1 *	12/2001	Janusz	F16B 25/00 411/309
6,619,899 B1 *	9/2003	Gaudron	F16B 25/0026 411/386

DESCRIPTION

FIG. 1 is a top view of a screw;
FIG. 2 is a front view thereof;
FIG. 3 is a rear view thereof;
FIG. 4 is a bottom view thereof;
FIG. 5 is a top perspective view thereof; and,
FIG. 6 is a bottom perspective view thereof.

1 Claim, 2 Drawing Sheets



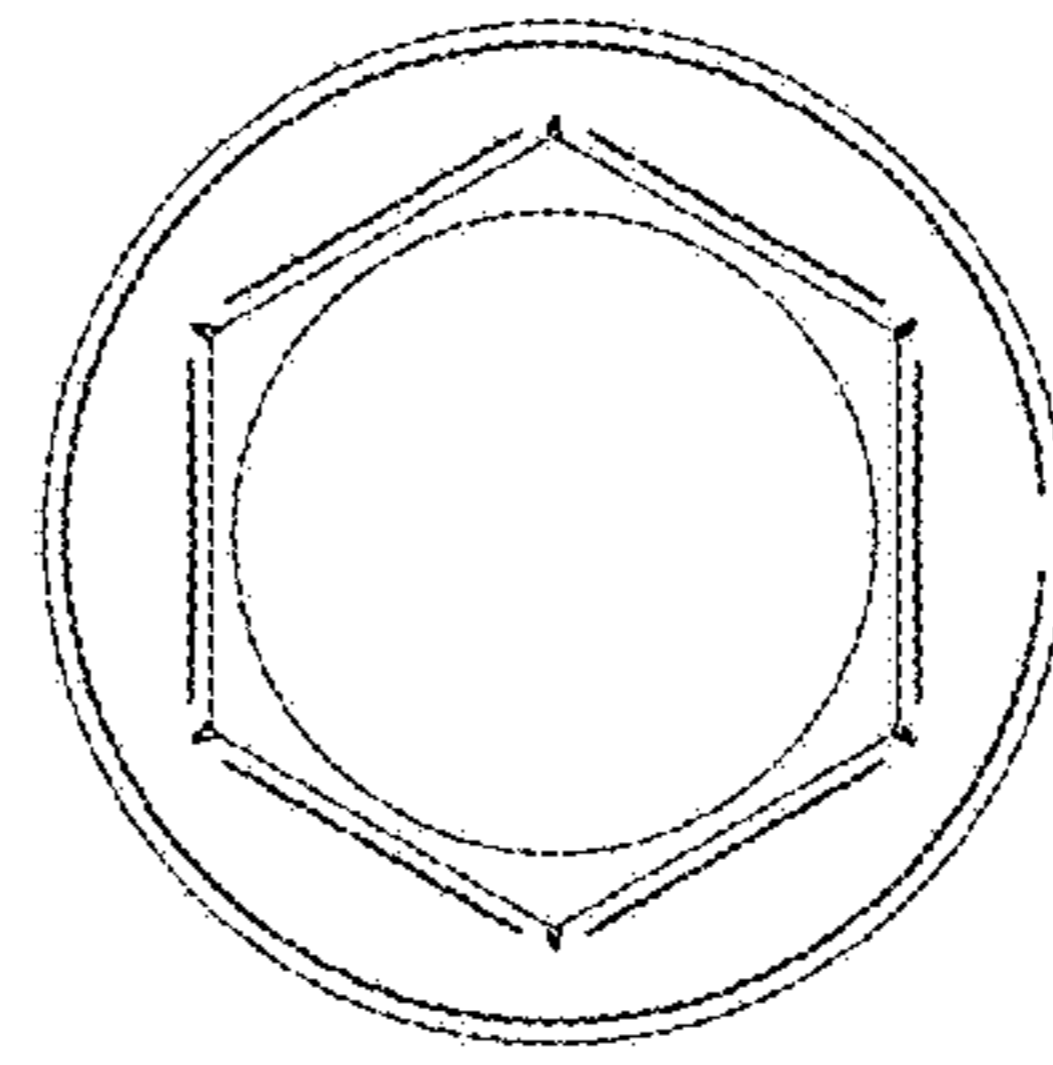


FIG. 1

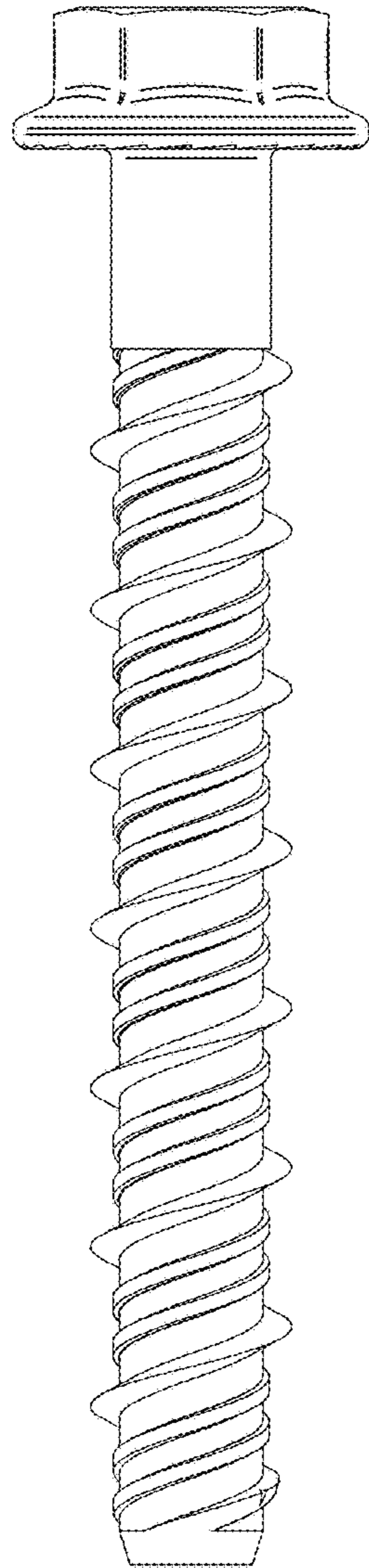


FIG. 2

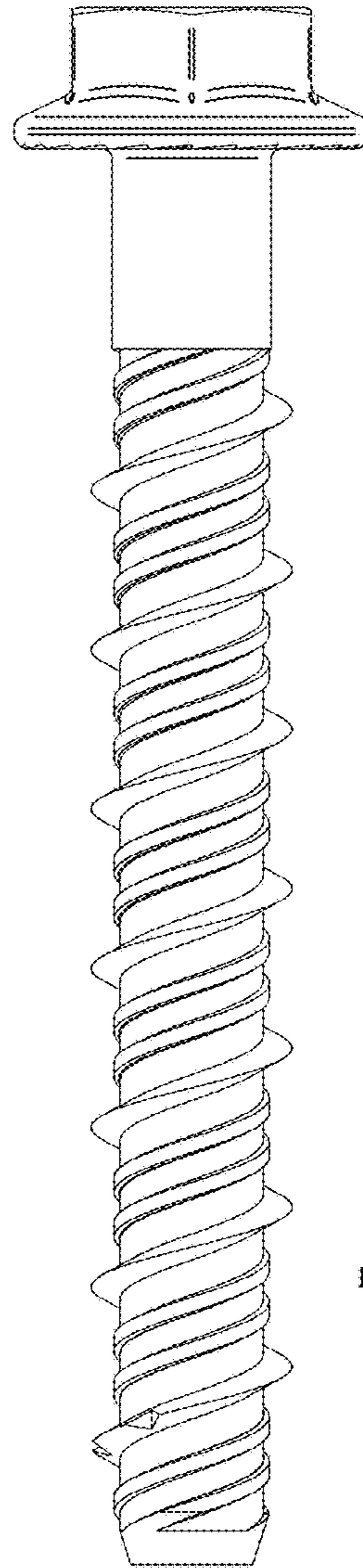


FIG. 3

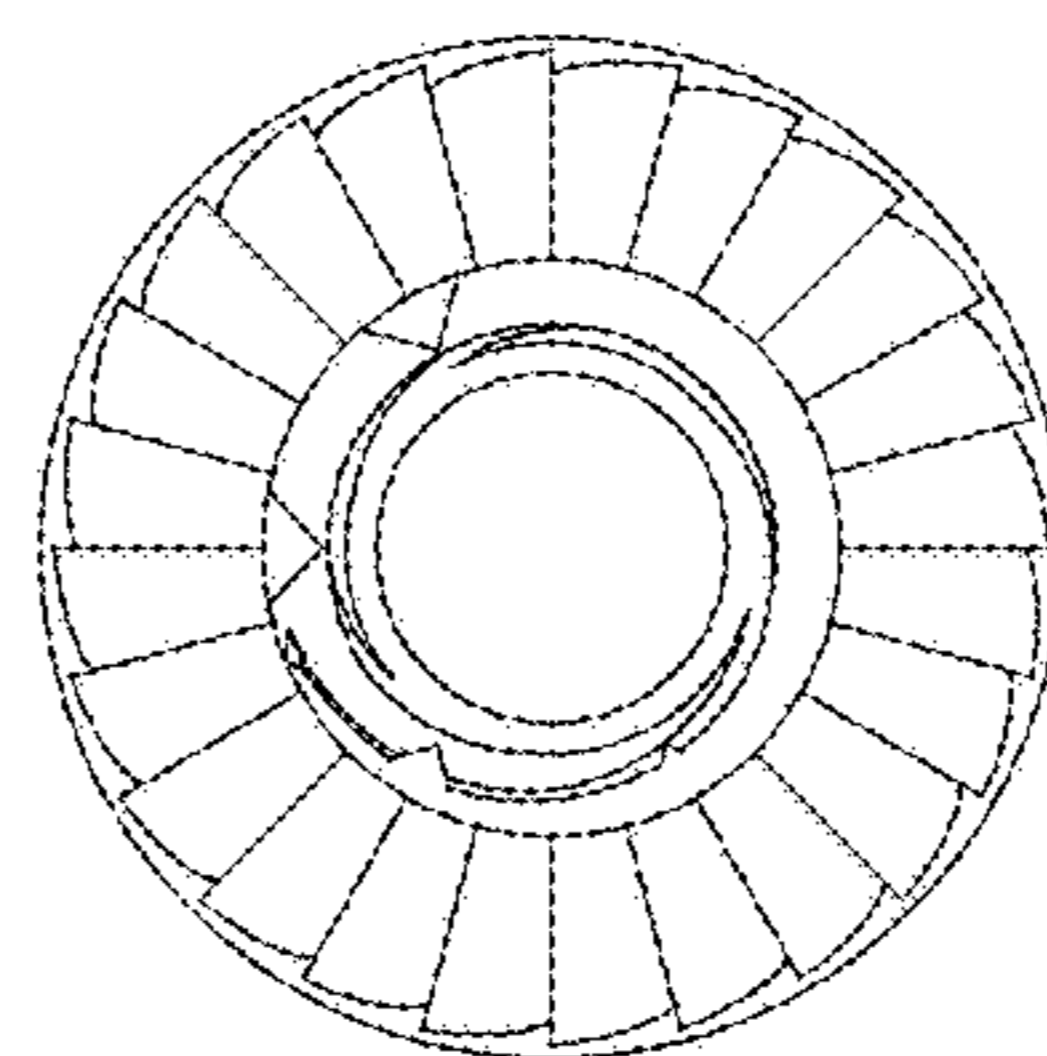


FIG. 4

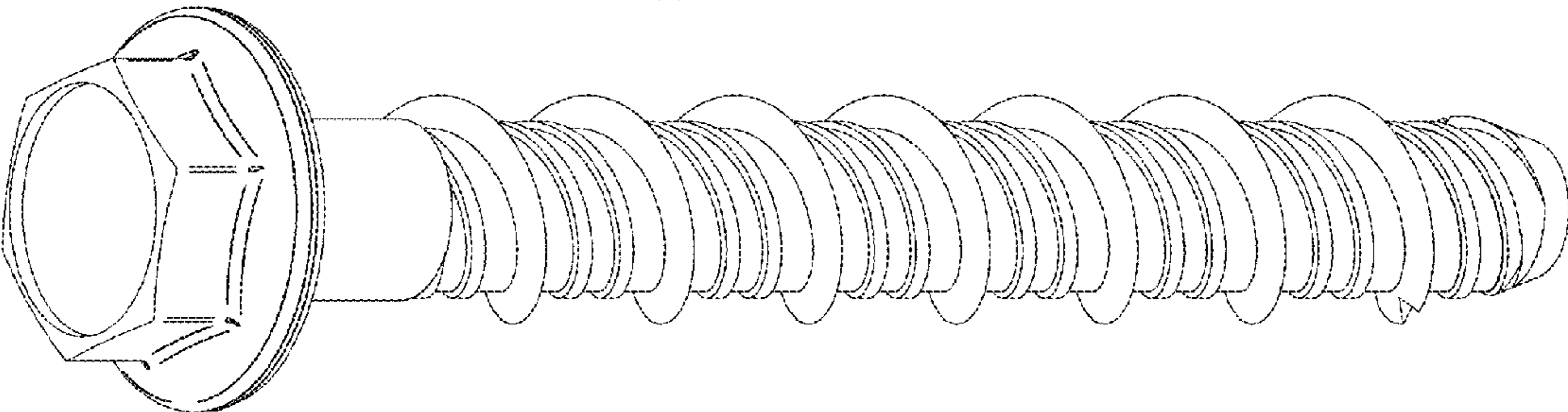


FIG. 6

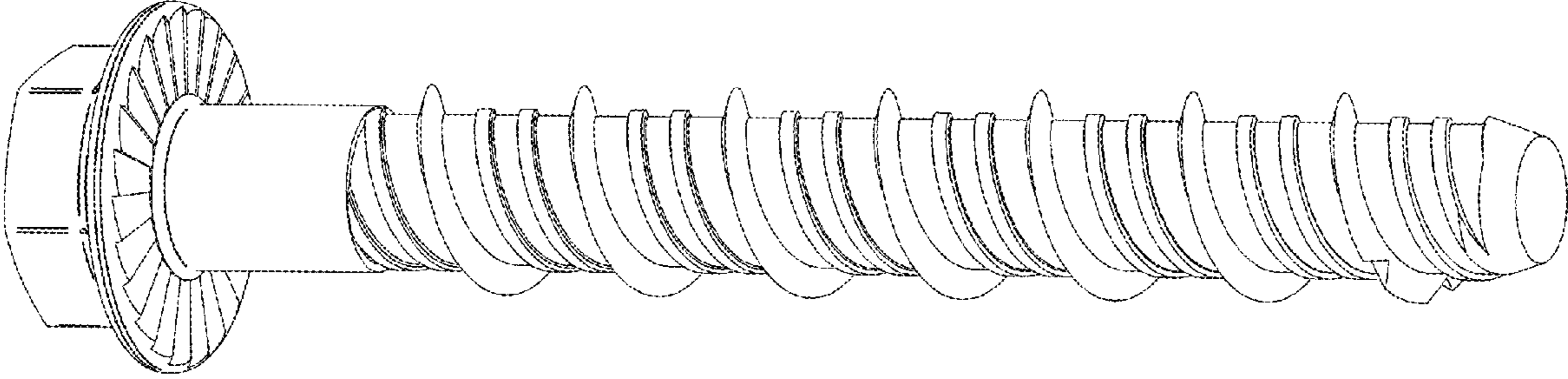


FIG. 5