



US00D818806S

(12) **United States Design Patent**  
**Copeland**

(10) **Patent No.:** **US D818,806 S**

(45) **Date of Patent:** **\*\* May 29, 2018**

(54) **COMBINATION BULL PLUG**

(71) Applicant: **Carter D. Copeland**, Midland, TX  
(US)

(72) Inventor: **Carter D. Copeland**, Midland, TX  
(US)

(\*\*) Term: **15 Years**

(21) Appl. No.: **29/556,840**

(22) Filed: **Mar. 3, 2016**

(51) **LOC (11) Cl.** ..... **08-08**

(52) **U.S. Cl.**

USPC ..... **D8/387**; D8/382

(58) **Field of Classification Search**

USPC ..... D7/693, 394, 372, 376, 378, 381, 383,  
D7/384, 385; D8/20, 23, 25, 41, 47, 54,  
D8/55, 58, 61, 64, 66, 70, 86, 98, 99,  
D8/352, 366, 376, 382-385, 387, 393,  
D8/397; D15/19, 21, 29, 121, 131, 132,  
D15/133, 138, 139, 140

CPC .... B25D 3/00; B25D 17/02; B25D 2250/111;  
B25D 2211/003; B25D 16/00; E21B  
10/52; E21B 10/16; E21B 10/567; C03B  
23/047; C03B 23/0496

See application file for complete search history.

(56) **References Cited**

**U.S. PATENT DOCUMENTS**

D32,067 S *	1/1900	Huber	.....	D15/29
D33,819 S *	1/1901	Kaylor	.....	D15/29
D222,432 S *	10/1971	Kaufman	.....	D8/385
D260,103 S *	8/1981	Appel	.....	D11/157
D278,310 S *	4/1985	Allen	.....	D8/21
4,787,771 A *	11/1988	Allen	.....	E21B 17/04 403/267
D323,287 S *	1/1992	Brunetti	.....	D8/385
D323,288 S *	1/1992	Brunetti	.....	D8/385
D330,510 S *	10/1992	Brunetti	.....	D8/385
D375,843 S *	11/1996	Wolfenden	.....	D4/199

D383,378 S *	9/1997	Schrader	.....	D23/262
D422,200 S *	4/2000	Maruyama	.....	D8/382
6,152,643 A *	11/2000	Miller	.....	F16B 37/0857 279/23.1
D531,888 S *	11/2006	Barnes	.....	D8/382
D581,772 S *	12/2008	Hozen	.....	D8/382
D583,224 S *	12/2008	Holdsworth	.....	D8/382
D622,582 S *	8/2010	Lottner	.....	D8/387
D666,901 S *	9/2012	Surjan	.....	D8/387
D689,762 S *	9/2013	Yamazaki	.....	D8/387
D694,280 S *	11/2013	Frazier	.....	D15/21
D710,176 S *	8/2014	Santamarina	.....	D8/70
D761,879 S *	7/2016	Bisel	.....	E21B 43/127 D15/21
D762,757 S *	8/2016	Langone	.....	D15/138

(Continued)

**OTHER PUBLICATIONS**

<https://www.amazon.com/GE-23203-Extension-Adaptor-Connects/dp/B00061UISM>—Available since Jul. 7, 2004.\*

(Continued)

*Primary Examiner* — Manpreet S Matharu

*Assistant Examiner* — Mojtaba Tehrani

(74) *Attorney, Agent, or Firm* — Thompson & Knight LLP

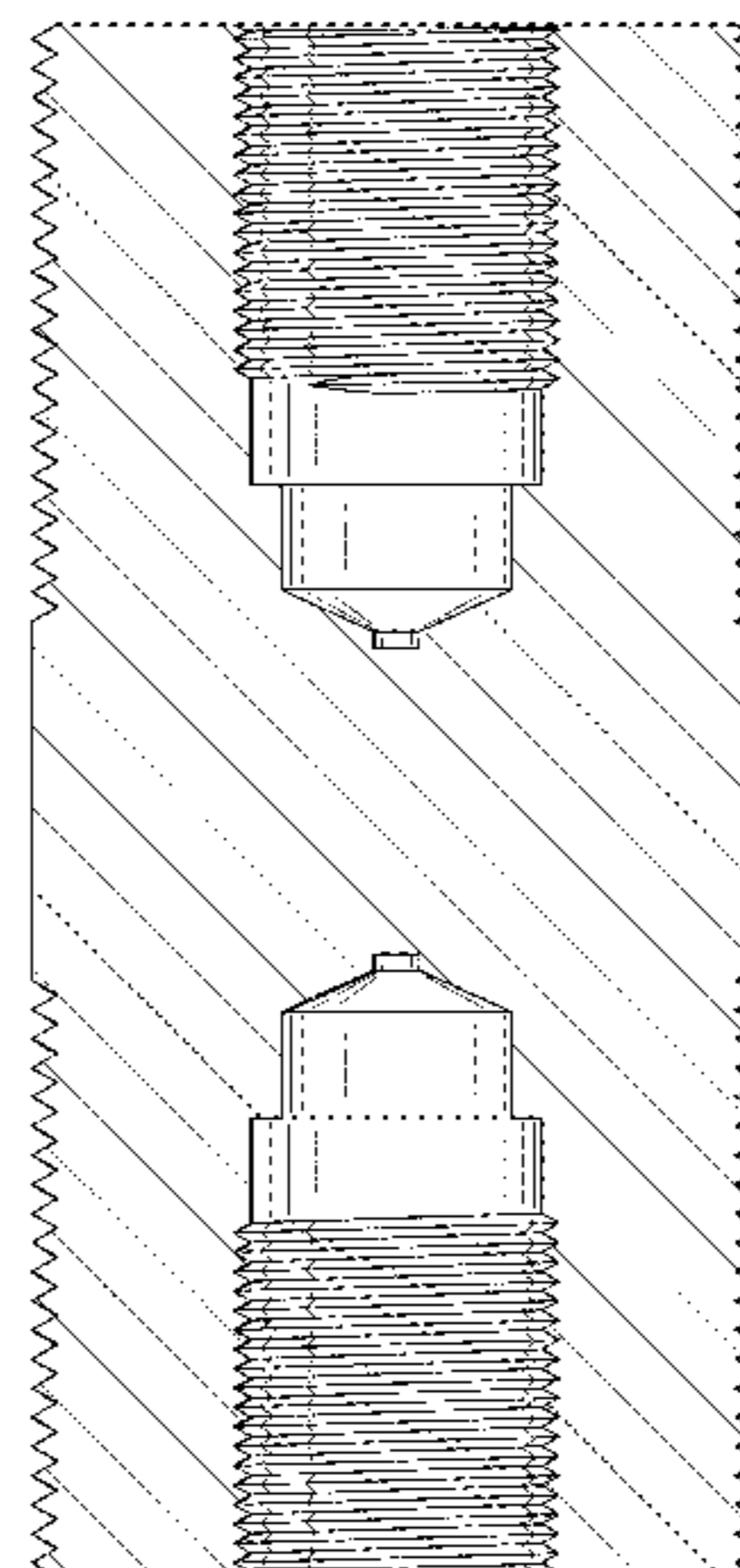
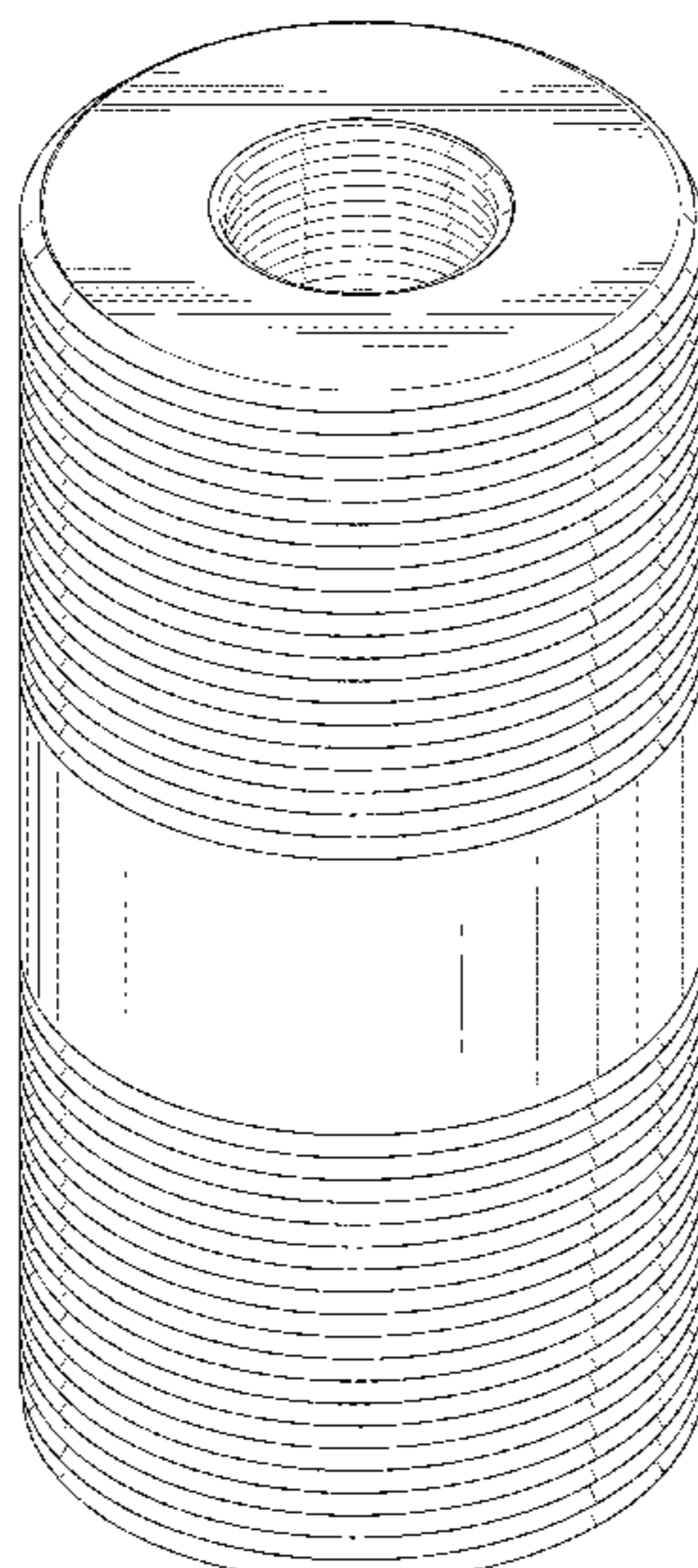
(57) **CLAIM**

The ornamental design for a combination bull plug, as shown.

**DESCRIPTION**

FIG. 1 is a top perspective view of a combination bull plug, showing my new design;  
FIG. 2 is a side elevation view thereof;  
FIG. 3 is a top plan view thereof;  
FIG. 4 is a bottom plan view thereof; and,  
FIG. 5 is a cross-sectional view taken along A-A section cut line per FIG. 3.

**1 Claim, 4 Drawing Sheets**



(56)

**References Cited**

U.S. PATENT DOCUMENTS

D764,897 S \* 8/2016 Partridge ..... H02G 13/00  
D8/349  
D773,001 S \* 11/2016 Sweney ..... D22/108

OTHER PUBLICATIONS

[https://www.alibaba.com/product-detail/chrome-plated-copper-pipe-nipple-brass\\_60563584997.html](https://www.alibaba.com/product-detail/chrome-plated-copper-pipe-nipple-brass_60563584997.html)—Retrieved Jun. 2, 2017.\*  
[https://www.alibaba.com/product-detail/Good-Quality-Stainless-Steel-Brass-Pipe\\_60566129964.html](https://www.alibaba.com/product-detail/Good-Quality-Stainless-Steel-Brass-Pipe_60566129964.html)—Retrieved Jun. 2, 2017.\*

\* cited by examiner

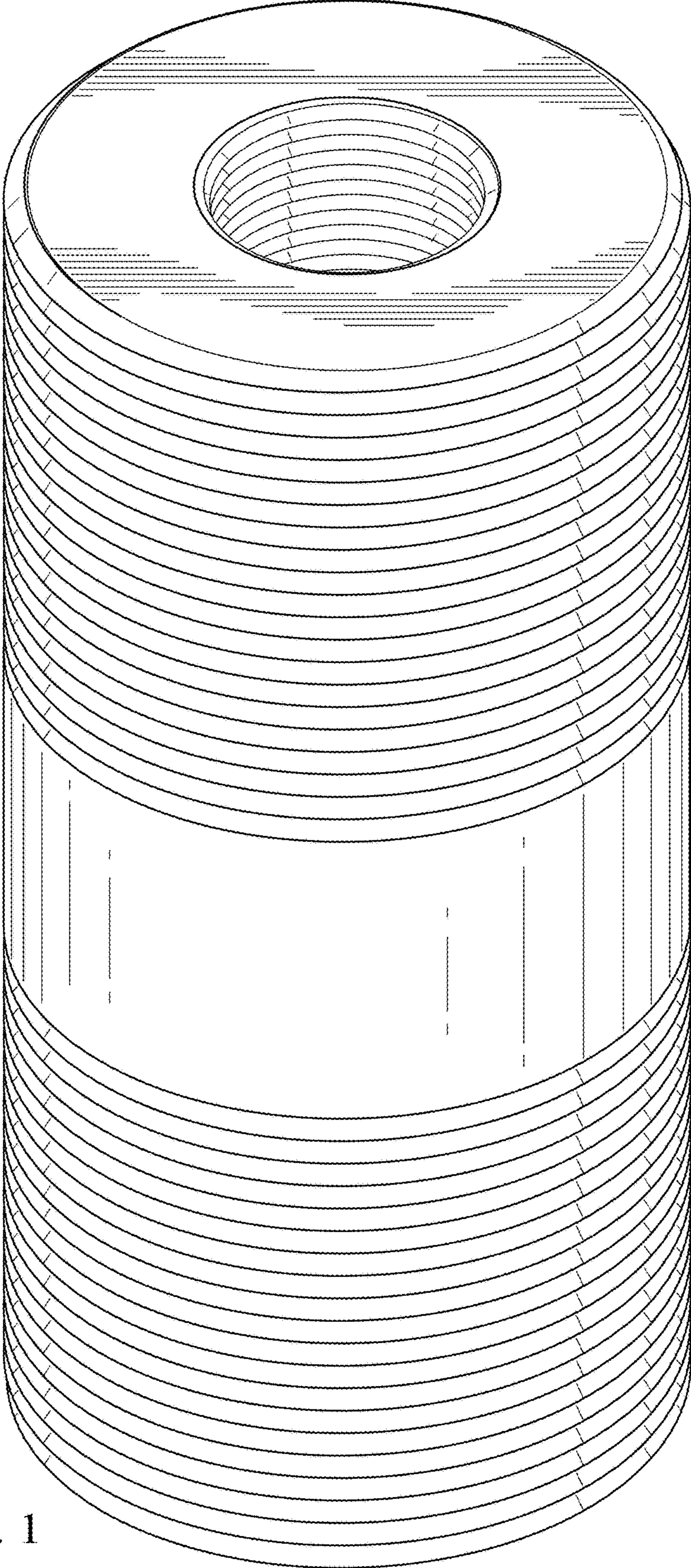


FIG. 1

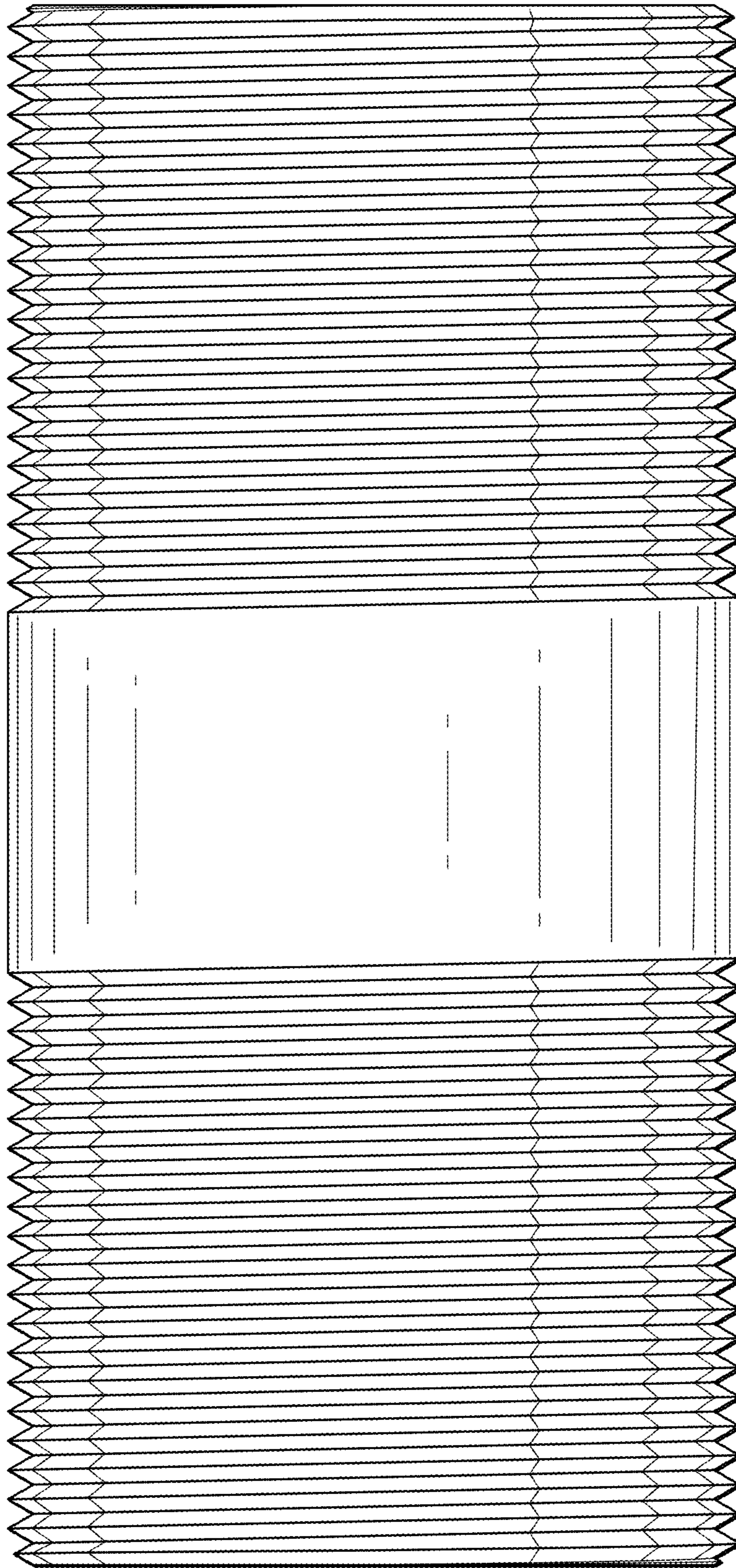


FIG. 2

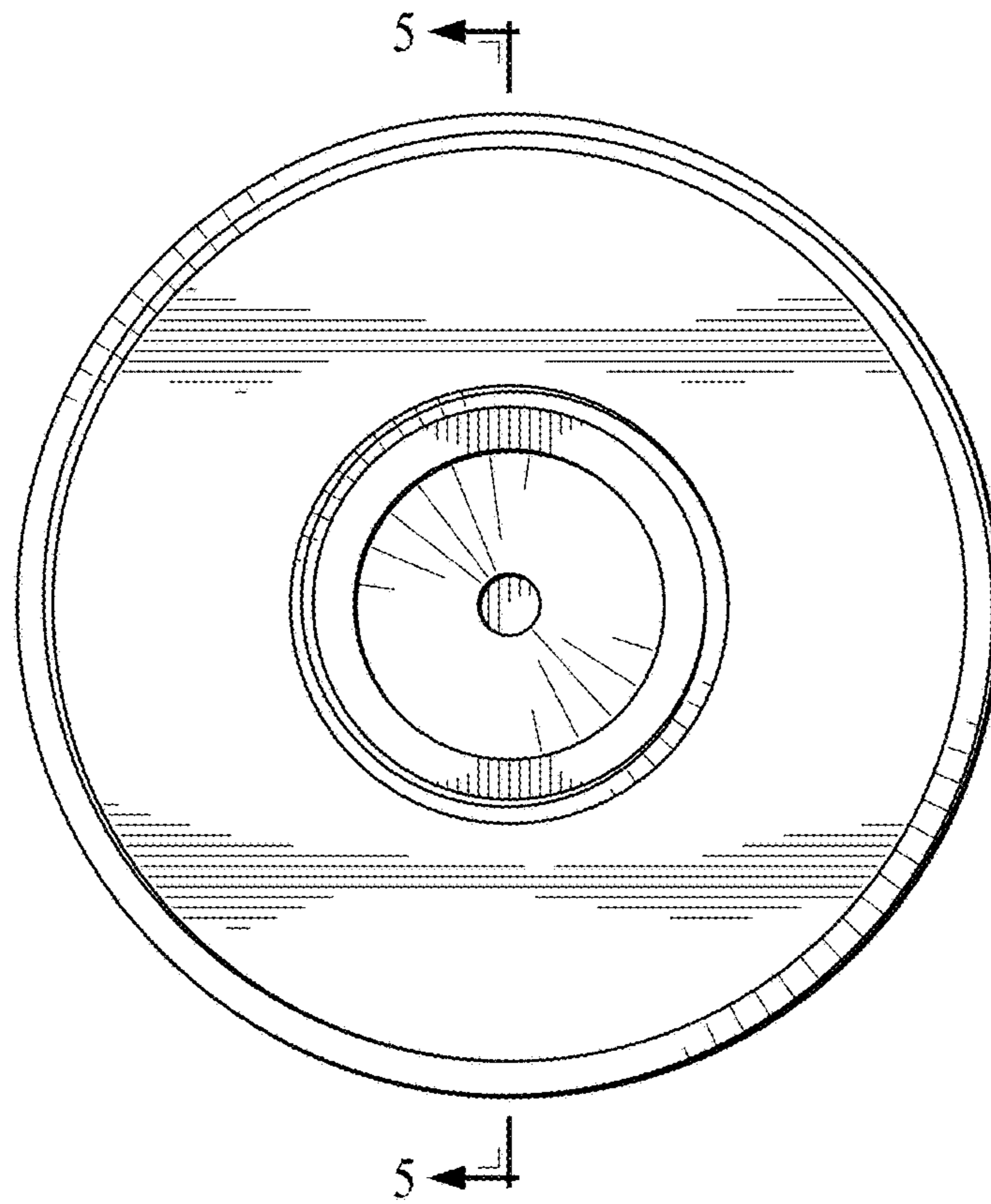


FIG. 3

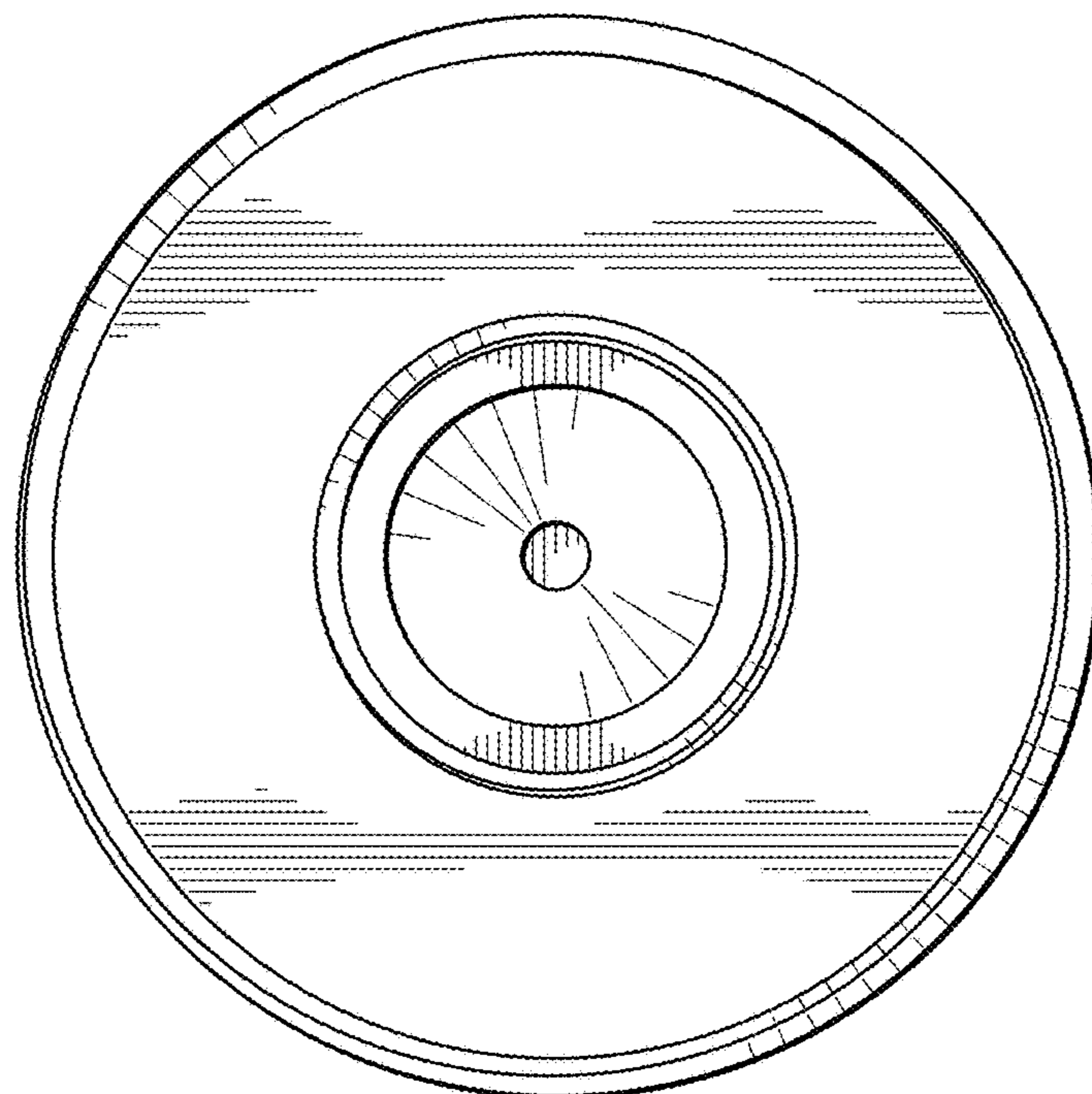


FIG. 4

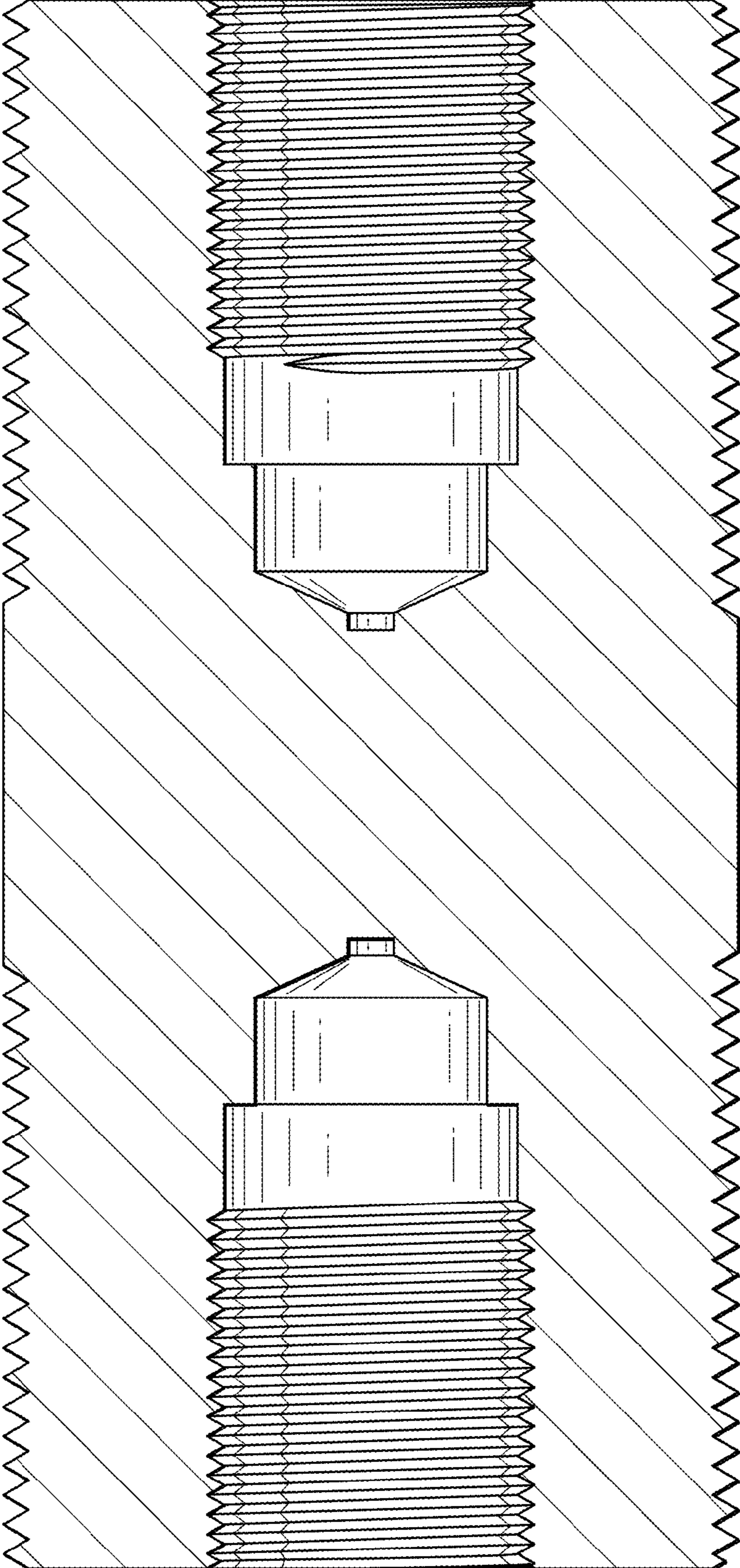


FIG. 5