



US00D818803S

(12) **United States Design Patent** (10) **Patent No.:** **US D818,803 S**
Rogers (45) **Date of Patent:** **** May 29, 2018**

(54) **AWNING ROPE CLIP**
(71) Applicant: **Kenneth Colin Rogers**, Harrington Park (AU)
(72) Inventor: **Kenneth Colin Rogers**, Harrington Park (AU)
(**) Term: **15 Years**
(21) Appl. No.: **29/607,005**
(22) Filed: **Jun. 9, 2017**
(51) **LOC (11) Cl.** **08-05**
(52) **U.S. Cl.**
USPC **D8/367**
(58) **Field of Classification Search**
USPC D8/356, 354, 349; 206/233; 248/51
CPC B65H 57/16; E02D 5/803; B63B 21/045; B63B 59/02; B60D 1/18; B60P 1/103; B60P 7/0823; Y10T 24/3918; A62B 35/0081; A44B 13/0029; H04R 1/1033
See application file for complete search history.

(56) **References Cited**
U.S. PATENT DOCUMENTS
1,333,692 A * 3/1920 Wester A47G 25/0607 24/598.7
D99,881 S * 6/1936 Miller D8/367
3,630,475 A * 12/1971 Barry A47F 13/00 248/205.1
3,718,947 A * 3/1973 Huber B66C 1/14 24/298
D244,910 S * 7/1977 Chasen D8/367
4,646,396 A * 3/1987 Geese F16B 45/02 223/88
5,174,536 A * 12/1992 Pelletier A47F 5/0853 160/67

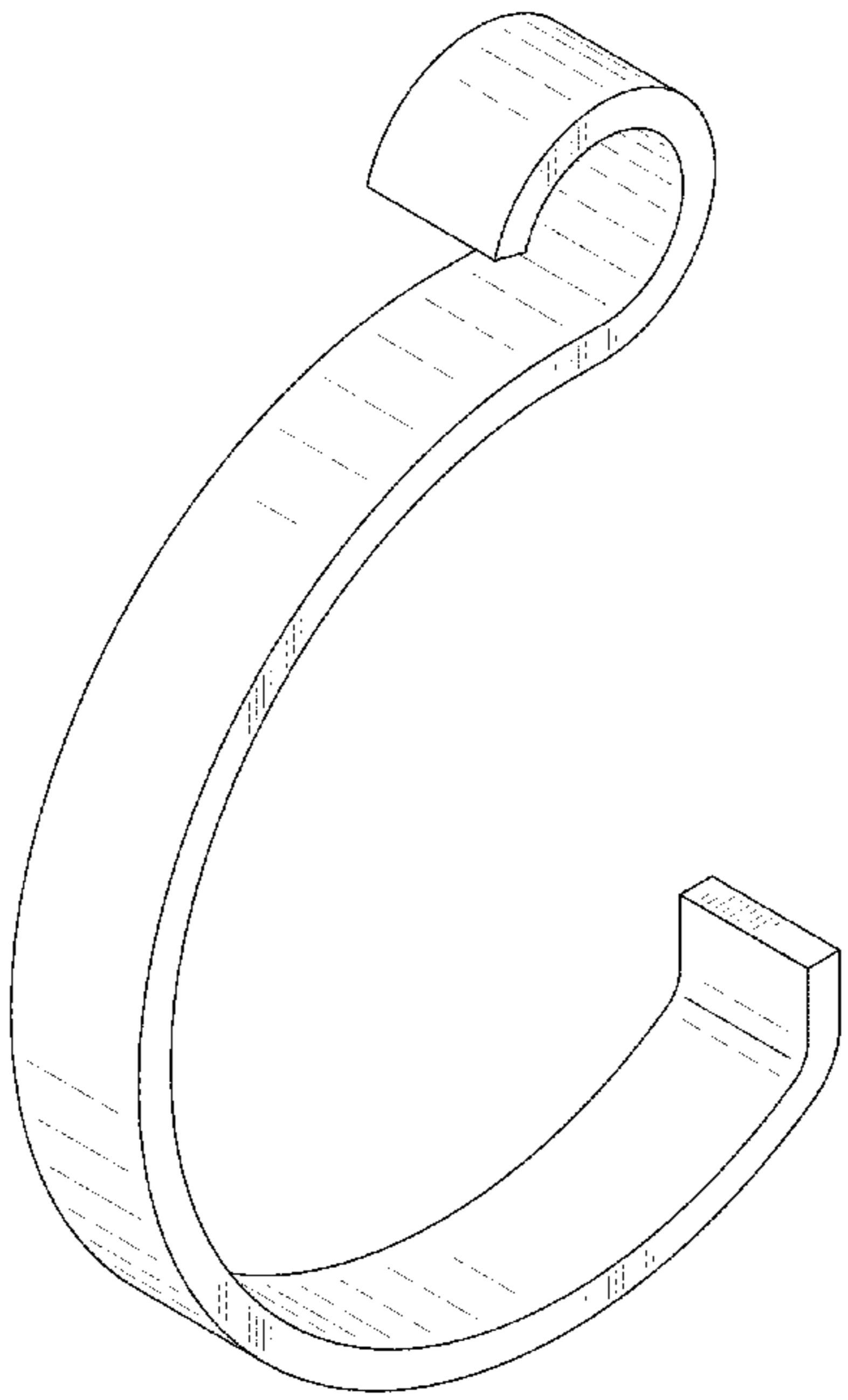
6,270,048 B1 * 8/2001 Carlson B60P 1/00 224/560
D493,092 S * 7/2004 Kalat D8/367
D522,285 S * 6/2006 Moore, Jr. D6/513
7,410,139 B1 * 8/2008 Rohrich F16B 2/065 248/302
D608,623 S * 1/2010 Snell D8/367
D668,938 S * 10/2012 Morales D8/367
D669,764 S * 10/2012 Kelleghan D8/356
D702,540 S * 4/2014 Kacines D8/367
D708,446 S * 7/2014 Goodman D6/323
D746,127 S * 12/2015 Cohen D8/367
D752,958 S * 4/2016 Giordano D8/367
D762,107 S * 7/2016 French D8/367
D795,678 S * 8/2017 Early D8/367
D800,962 S * 10/2017 Joseph D28/7
D810,547 S * 2/2018 Lynn D8/367
2018/0080496 A1 * 3/2018 Early F16B 45/00

* cited by examiner
Primary Examiner — Cynthia R Underwood
(74) *Attorney, Agent, or Firm* — Michael J. Feigin, Esq.; Feigin and Fridman LLC

(57) **CLAIM**
The ornamental design for awning rope clip, as shown and described.

DESCRIPTION
FIG. 1 shows a top and side perspective view of an awning rope clip.
FIG. 2 shows a bottom and side perspective view thereof.
FIG. 3 shows a side view thereof, the reverse side being a mirror image thereof.
FIG. 4 shows a front view thereof.
FIG. 5 shows a rear view thereof.
FIG. 6 shows a top plan view thereof; and,
FIG. 7 shows a bottom plan view thereof.

1 Claim, 5 Drawing Sheets



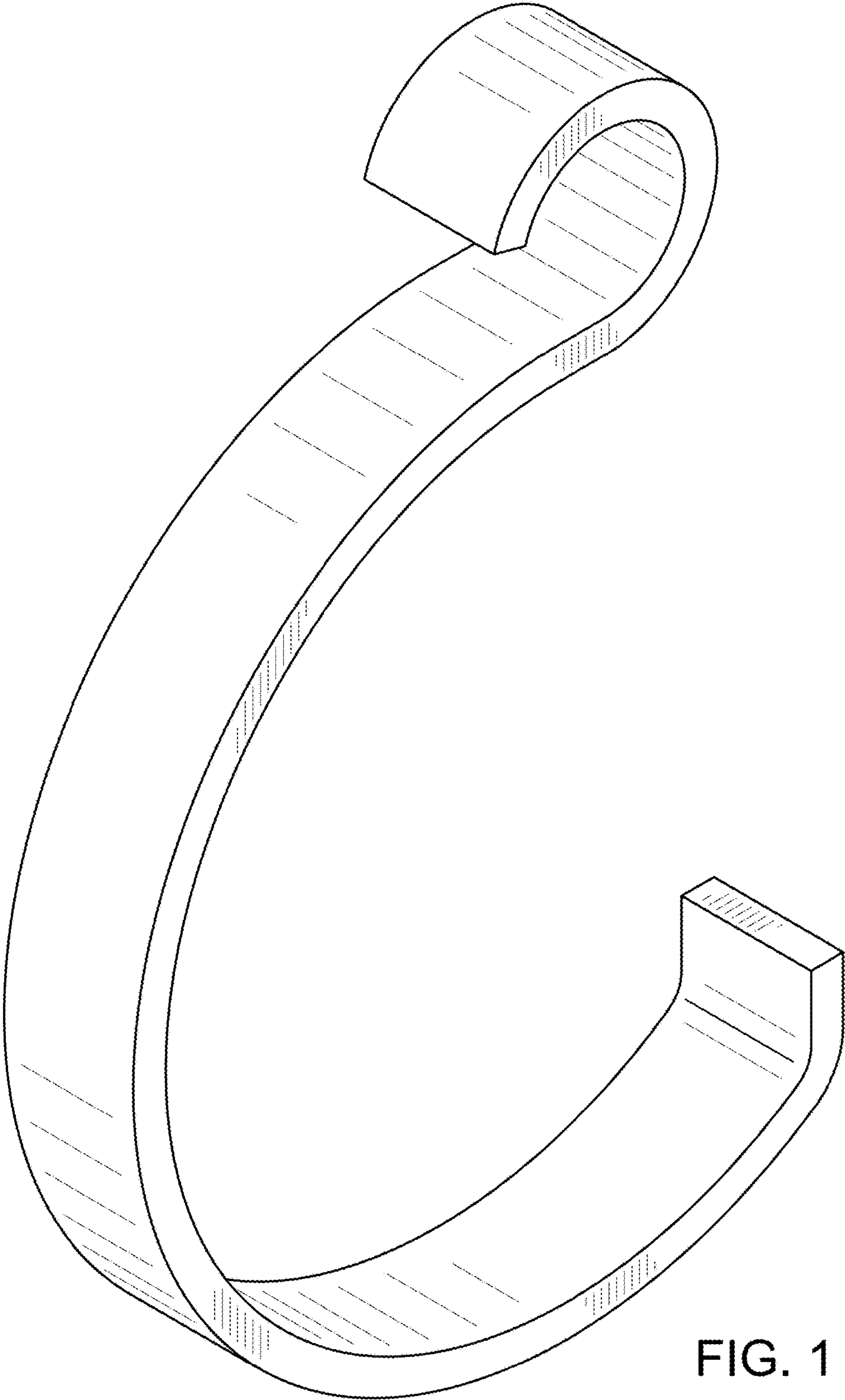


FIG. 1

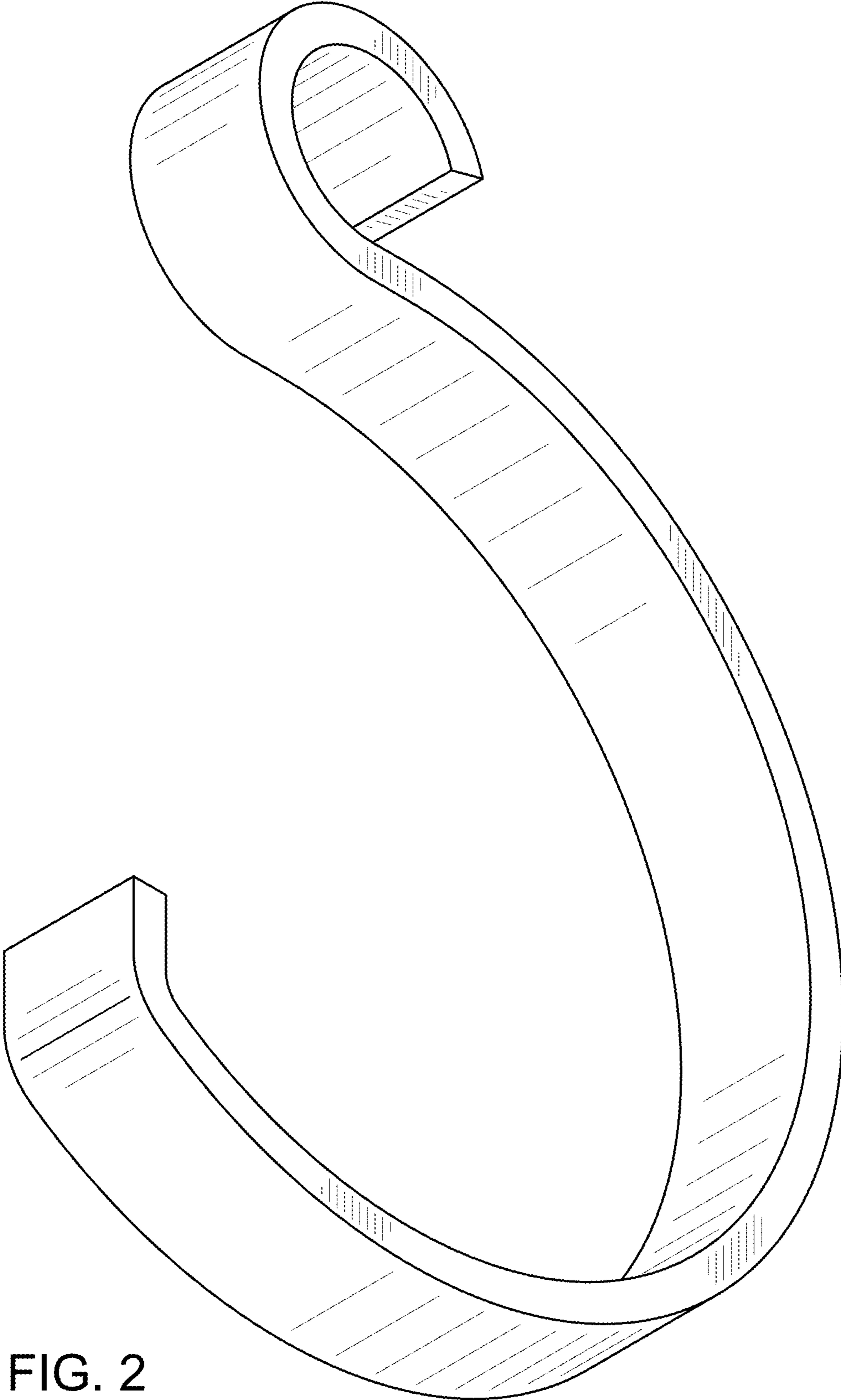


FIG. 2

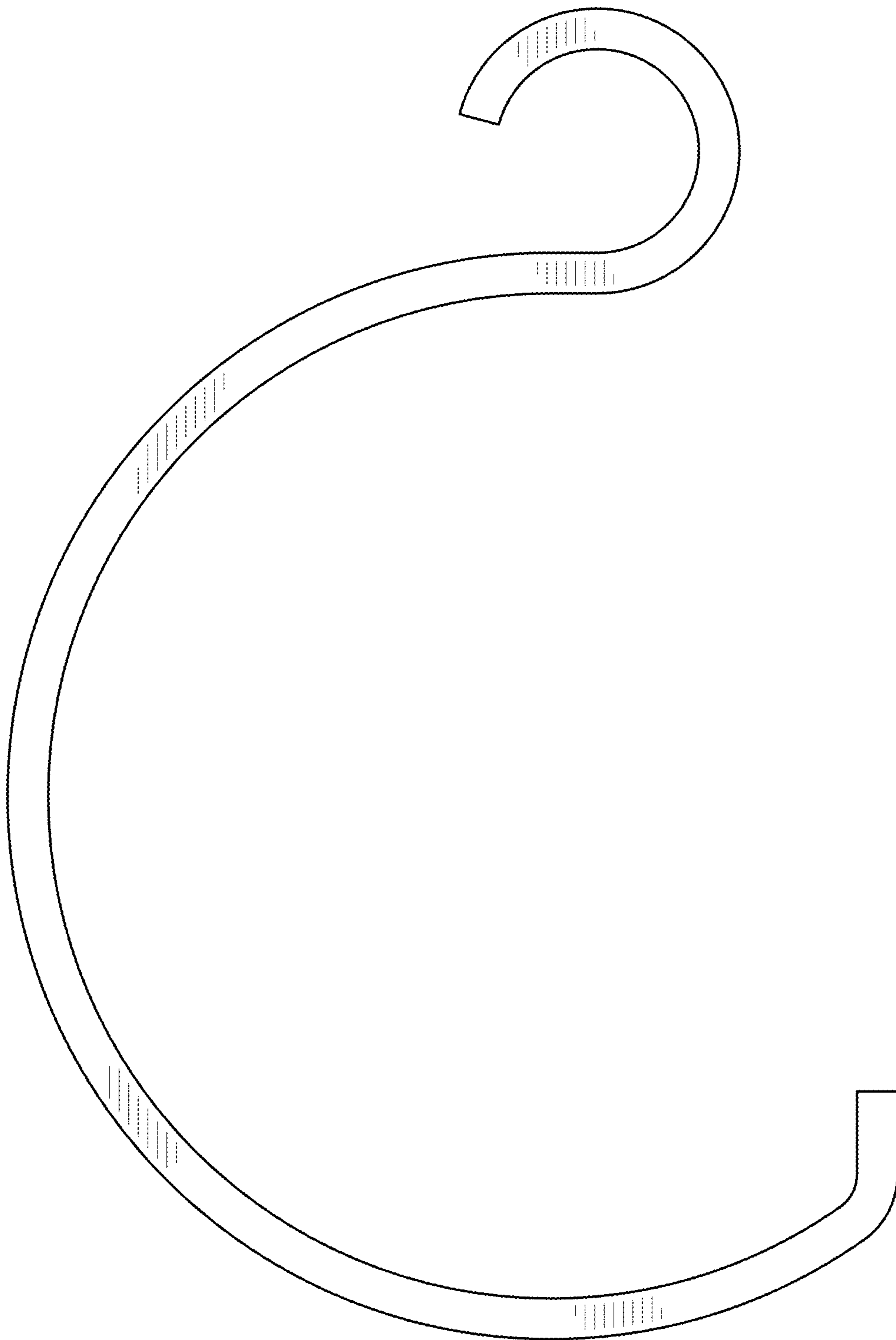


FIG. 3

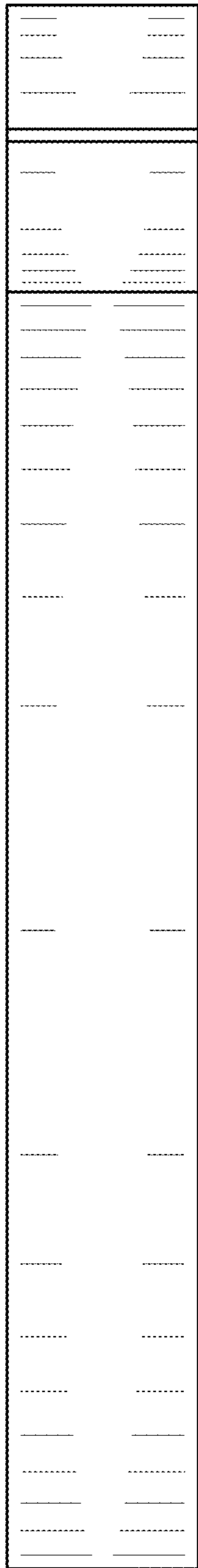


FIG. 4

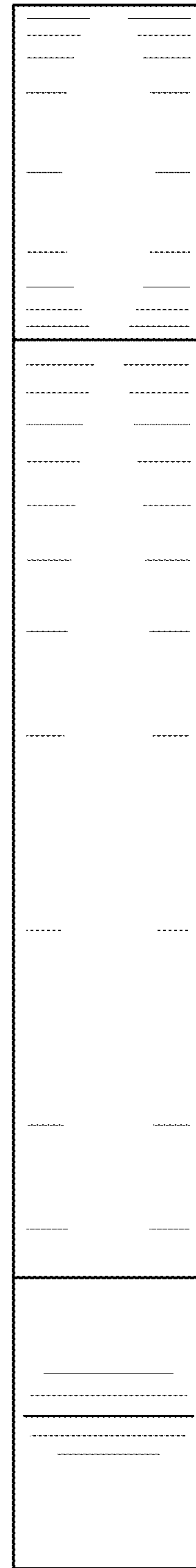


FIG. 5

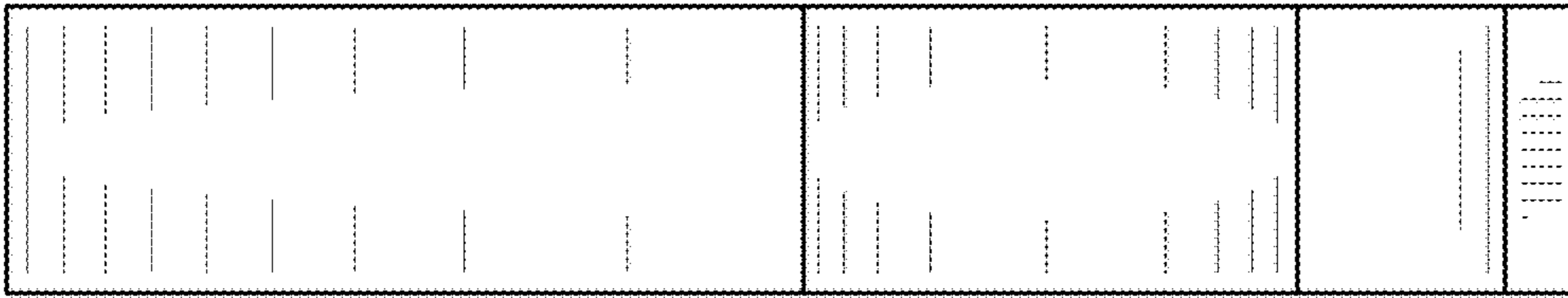


FIG. 6

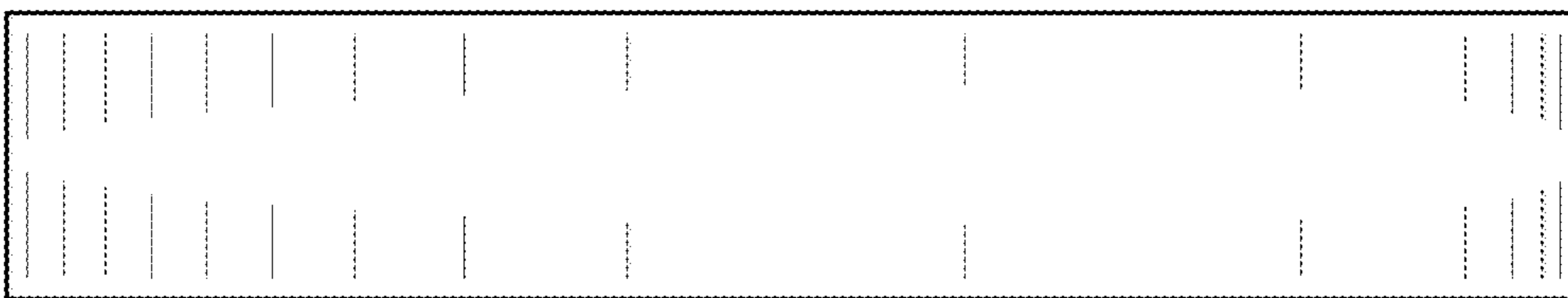


FIG. 7