



US00D818802S

(12) **United States Design Patent**  
**Iwahara et al.**

(10) **Patent No.:** **US D818,802 S**  
(45) **Date of Patent:** **\*\* May 29, 2018**

(54) **CLIP**  
(71) Applicant: **DAIWA KASEI KOGYO**  
**KABUSHIKI KAISHA**, Okazaki-shi,  
Aichi-ken (JP)  
(72) Inventors: **Toshio Iwahara**, Okazaki (JP); **Makoto**  
**Kato**, Okazaki (JP); **Katsuya**  
**Hirakawa**, Okazaki (JP)

4,788,751 A \* 12/1988 Shely ..... B65D 63/1072  
24/16 PB  
4,866,817 A 9/1989 Espevik et al.  
5,628,348 A \* 5/1997 Scott ..... B65B 13/027  
140/123.5  
5,836,053 A \* 11/1998 Davignon ..... F16L 3/233  
24/16 PB

(Continued)

(73) Assignee: **DAIWA KASEI KOGYO**  
**KABUSHIKI KAISHA**, Aichi-ken (JP)  
(\*\*) Term: **15 Years**

JP H04-082407 U 7/1992  
JP H06-056166 B2 7/1994

(Continued)

(21) Appl. No.: **29/590,762**

*Primary Examiner* — Cynthia R Underwood  
(74) *Attorney, Agent, or Firm* — Christensen, Fonder,  
Dardi & Herbert PLLC

(22) Filed: **Jan. 12, 2017**

(30) **Foreign Application Priority Data**

(57) **CLAIM**

We claim the ornamental design for clip, as shown and described.

Jul. 19, 2016 (JP) ..... 2016-015313

(51) **LOC (11) Cl.** ..... **09-06**

(52) **U.S. Cl.**  
USPC ..... **D8/356**

**DESCRIPTION**

(58) **Field of Classification Search**  
USPC ..... D8/356, 354, 349; 381/384  
CPC ..... E02D 5/803; B63B 21/045; B63B 59/02;  
B60D 1/18; B60P 7/0823; A44B 13/0029;  
Y10T 24/3918  
See application file for complete search history.

FIG. 1 is a perspective view viewed from the left of the clip;  
FIG. 2 is a perspective view viewed from the right thereof;  
FIG. 3 is a front elevation view thereof;  
FIG. 4 is a left side elevation view thereof;  
FIG. 5 is a right side elevation view thereof;  
FIG. 6 is a top plan view thereof;  
FIG. 7 is a bottom plan view thereof;  
FIG. 8 is an enlarged view of portion 8-8 of FIG. 1 thereof;  
FIG. 9 is an enlarged view of portion 9-9 of FIG. 2 thereof;  
and,  
FIG. 10 is an enlarged view of portion 10-10 of FIG. 6  
thereof.

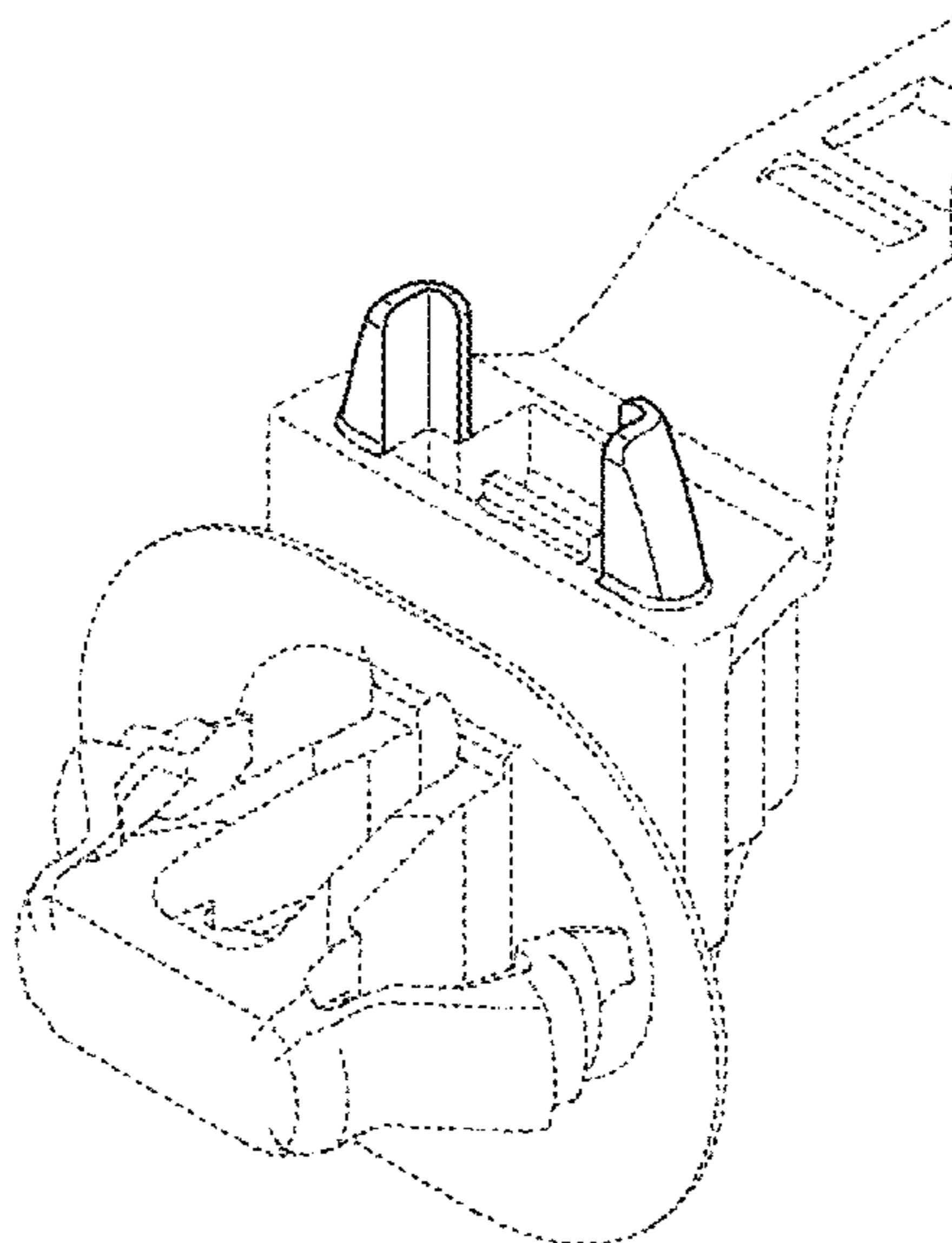
(56) **References Cited**

**U.S. PATENT DOCUMENTS**

4,287,644 A \* 9/1981 Durand ..... F16L 3/2334  
24/16 PB  
4,347,648 A \* 9/1982 Dekkers ..... B65D 63/1063  
24/16 PB  
4,754,529 A \* 7/1988 Paradis ..... B29C 45/0055  
24/16 PB

The broken lines shown in the drawings represent unclaimed portions of the clip, and form no part of the claimed design.

**1 Claim, 4 Drawing Sheets**



(56)

**References Cited**

U.S. PATENT DOCUMENTS

6,079,657 A \* 6/2000 Hwang ..... B65H 75/406  
191/12.4  
6,105,210 A \* 8/2000 Benoit ..... B65D 63/1063  
24/16 PB  
6,430,783 B1 \* 8/2002 Benoit ..... B65D 63/1063  
24/16 PB  
6,497,258 B1 \* 12/2002 Flannery ..... B65D 63/1063  
140/123.6  
D614,941 S \* 5/2010 Murphy ..... D8/387  
D619,887 S \* 7/2010 Colton ..... D8/396  
D698,632 S \* 2/2014 Wang ..... D8/383  
D700,826 S \* 3/2014 Qin ..... D8/367  
8,739,387 B1 \* 6/2014 Frishberg ..... F16L 3/2332  
140/93 A  
D728,351 S \* 5/2015 Martinson ..... D8/373  
D728,352 S \* 5/2015 Martinson ..... D8/373  
D749,409 S \* 2/2016 Martinson ..... D8/396  
D769,704 S \* 10/2016 Nitta ..... D8/387  
2012/0159742 A1 6/2012 Iwahara et al.  
2016/0355243 A1 \* 12/2016 Hynes ..... B63B 59/02  
2017/0327194 A1 \* 11/2017 Zimmerman ..... F16M 13/02

FOREIGN PATENT DOCUMENTS

JP 2012-137145 A 7/2012  
JP 1531916 8/2015

\* cited by examiner

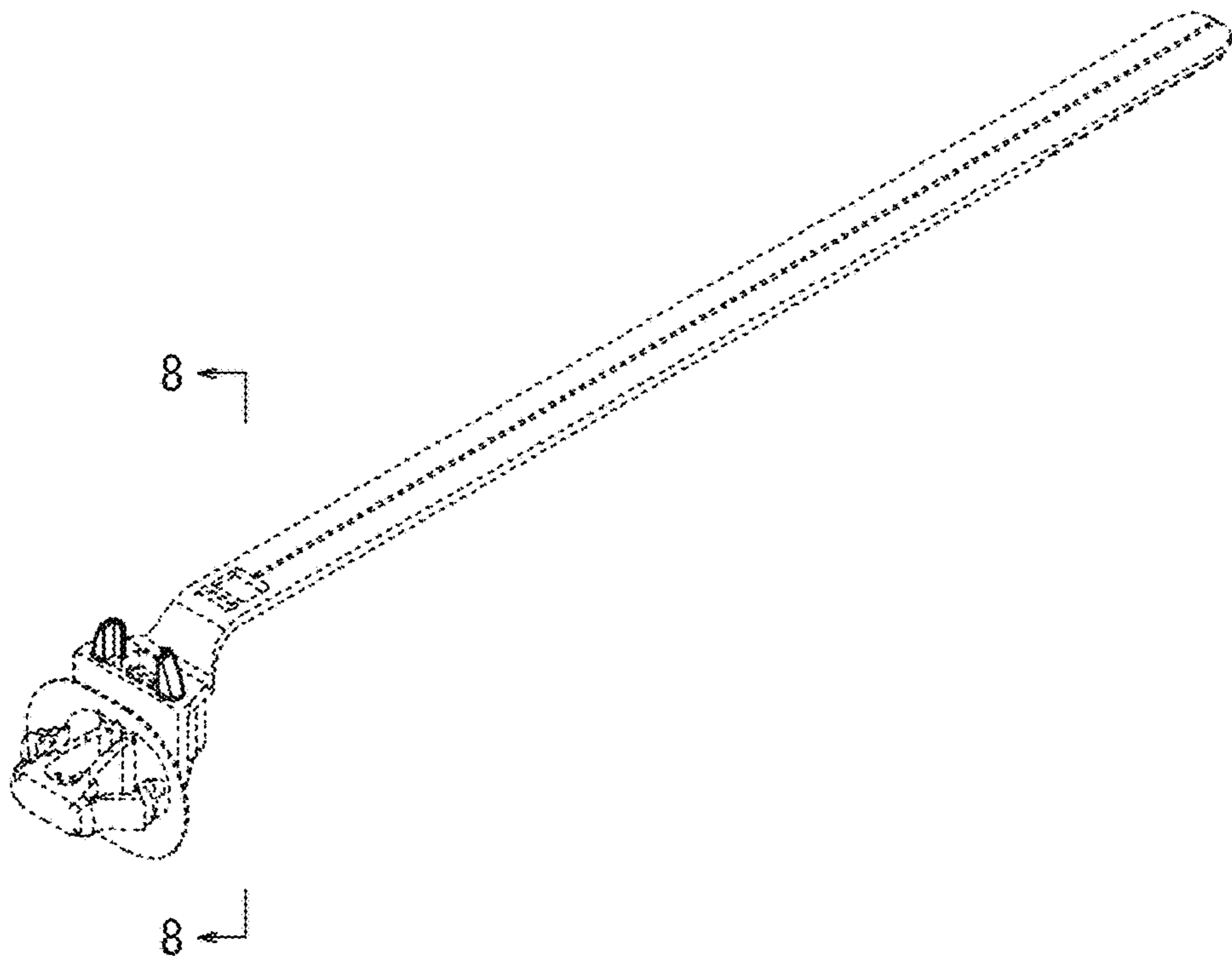


FIG. 1

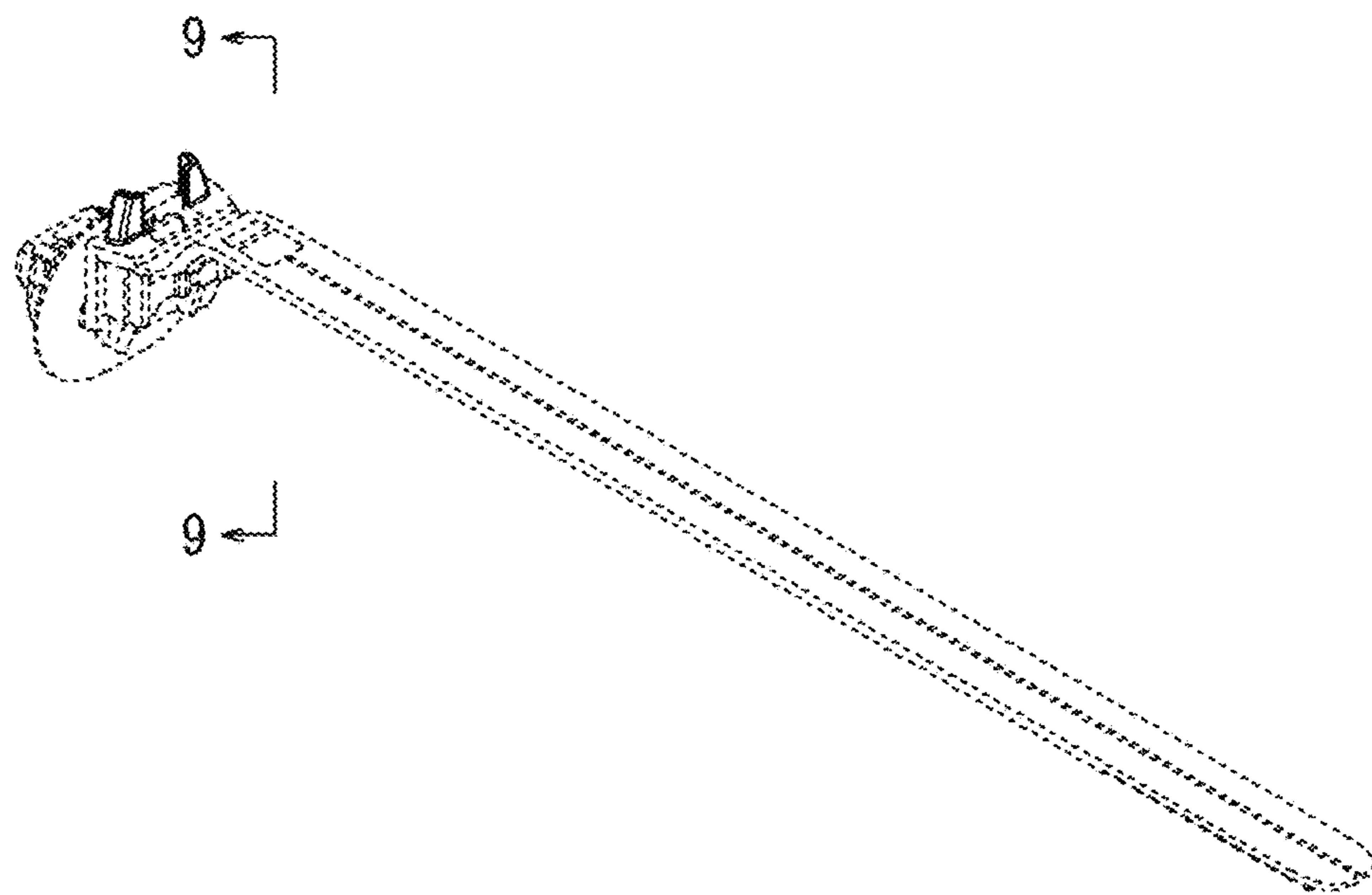


FIG. 2

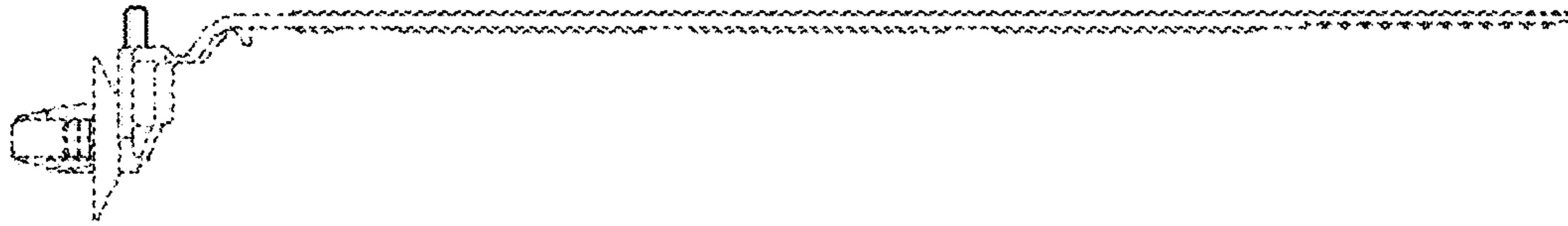


FIG. 3

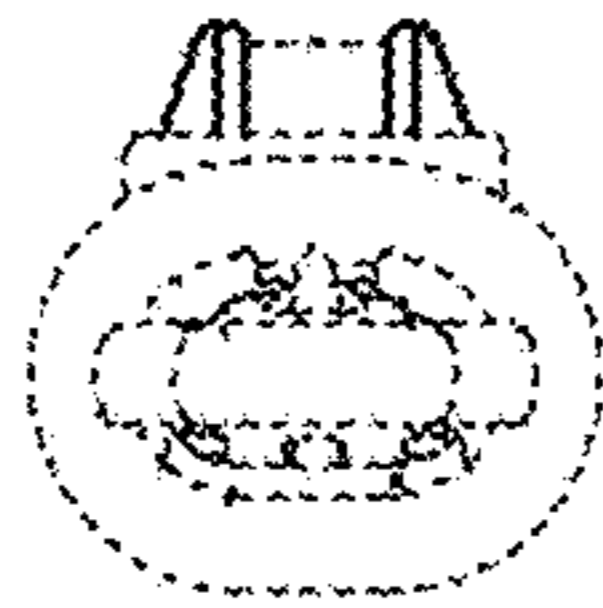


FIG. 4

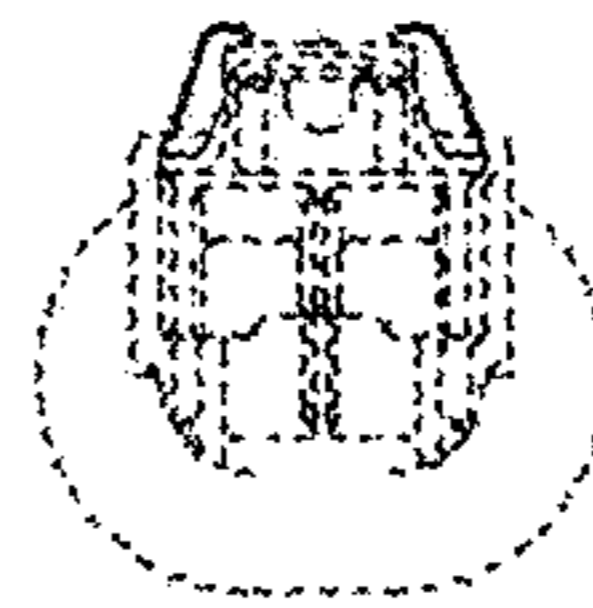


FIG. 5

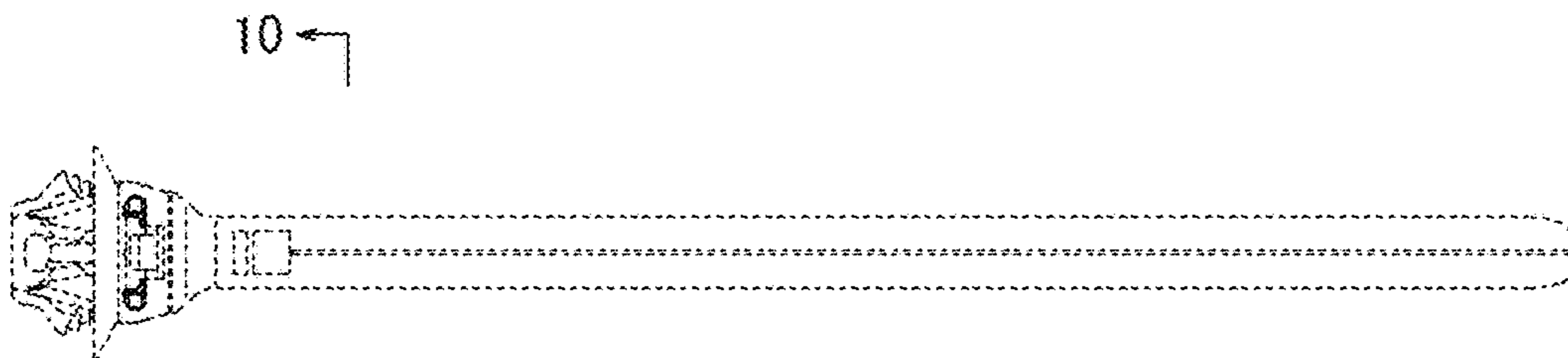


FIG. 6

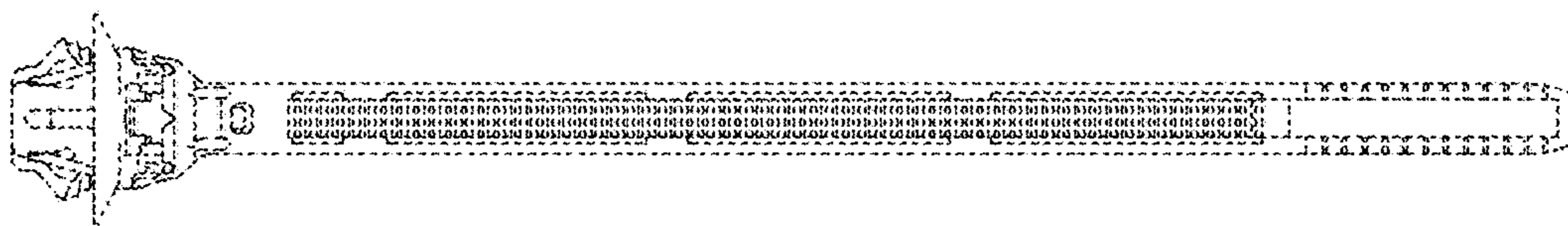


FIG. 7

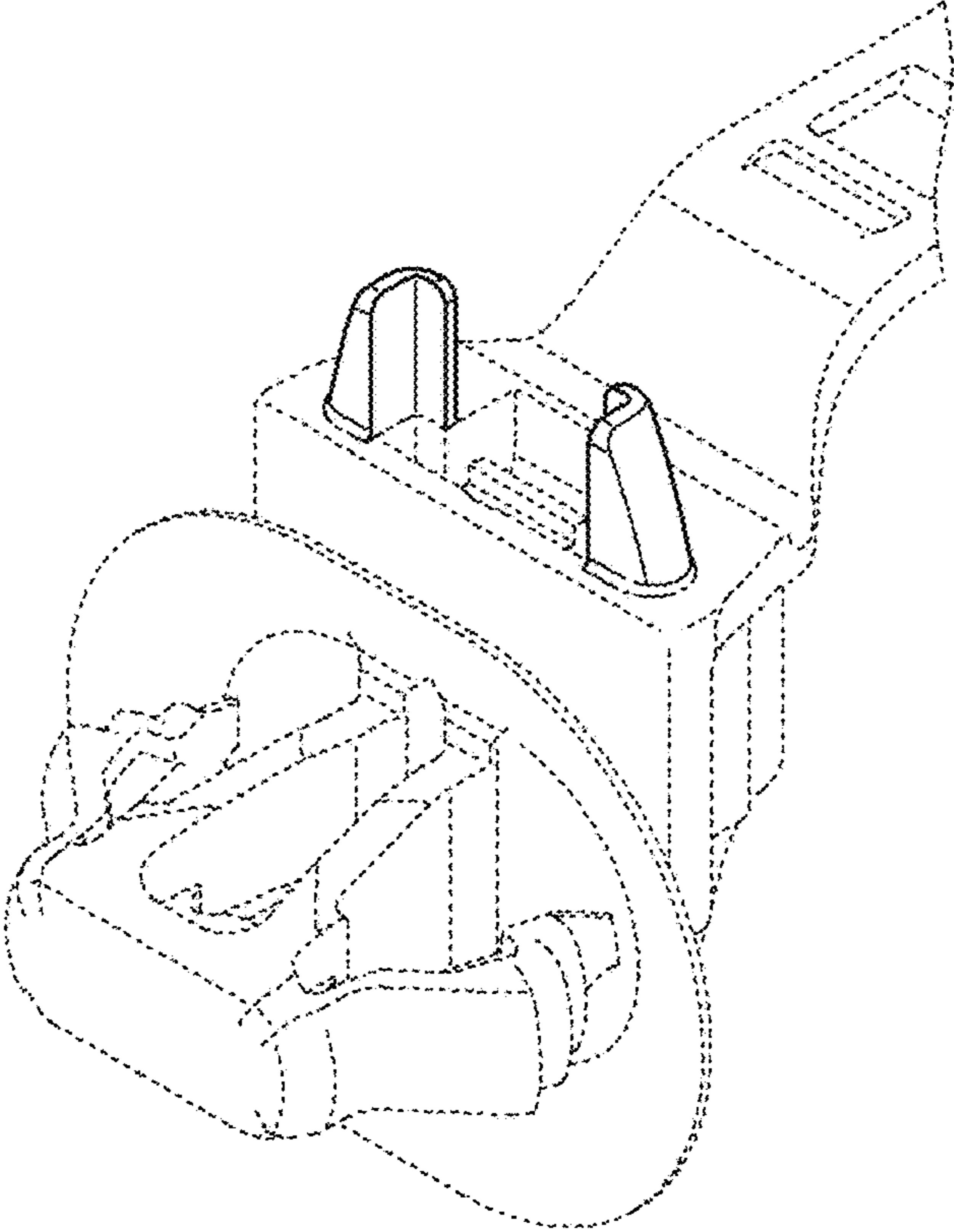


FIG. 8

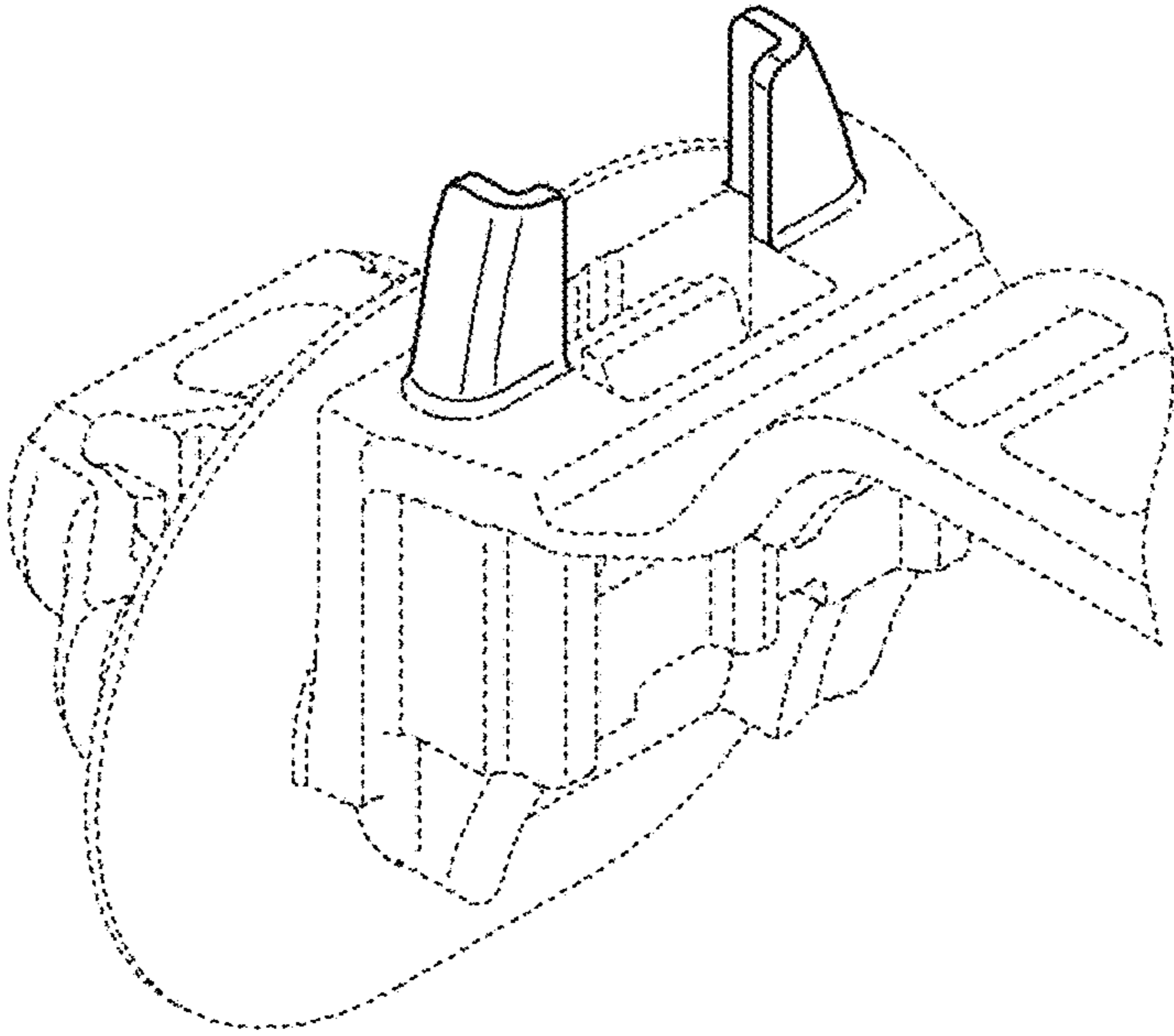


FIG. 9

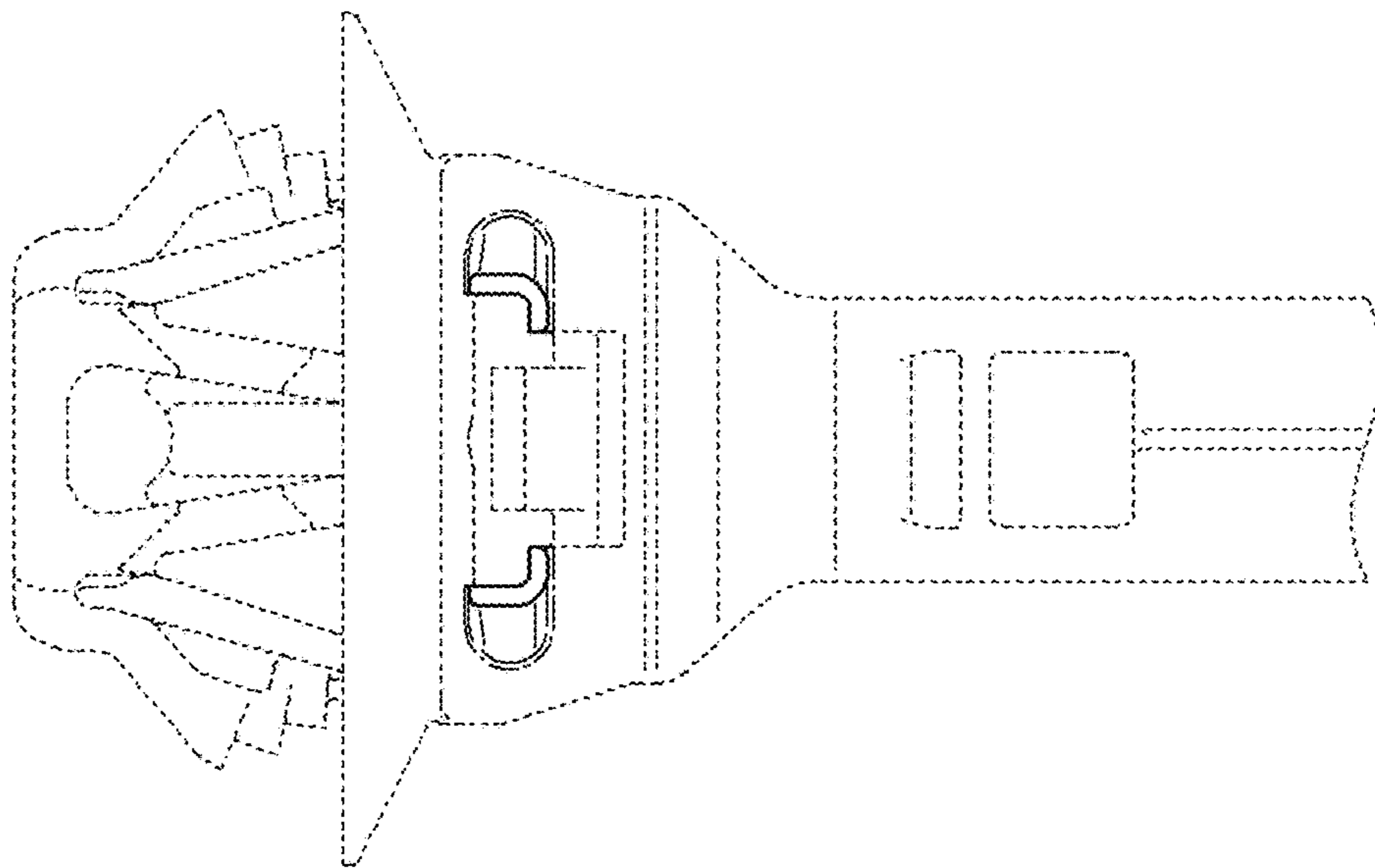


FIG. 10