



US00D818801S

(12) **United States Design Patent** (10) **Patent No.:** **US D818,801 S**
Ng et al. (45) **Date of Patent:** **** May 29, 2018**

(54) **HANGER ASSEMBLY FOR WALL-MOUNTED ARTICLES**

(71) Applicant: **Nielsen & Bainbridge, LLC.**,
Wilmington, DE (US)

(72) Inventors: **Kimkie Ng**, Austin, TX (US); **Patrick Pun**, Austin, TX (US); **Randall Ben Faltese**, Austin, TX (US); **Jamey Yarnall**, Austin, TX (US); **John Fenno**, Austin, TX (US)

(73) Assignee: **Nielsen & Bainbridge, LLC.**,
Wilmington, DE (US)

(**) Term: **15 Years**

(21) Appl. No.: **29/606,220**

(22) Filed: **Jun. 2, 2017**

(51) **LOC (11) Cl.** **08-05**

(52) **U.S. Cl.**
USPC **D8/354**

(58) **Field of Classification Search**
USPC D08/354, 376, 16, 17, 19, 37, 47, 71, 89,
D08/101, 363, 373, 377, 390, 391, 404;
D6/512, 524, 528, 534, 672, 680.1, 680.2,
D6/705.7, 708.25; D25/38.1, 119, 122,
D25/123
CPC A47G 33/004; A47H 1/00; A47H 13/00;
A47H 15/00; B44C 1/18; B44C 5/02;
B44C 5/04; B44C 5/0415; E01B 11/00
See application file for complete search history.

(56) **References Cited**

U.S. PATENT DOCUMENTS

D139,216 S * 10/1944 Spanholtz D8/391
D244,508 S * 5/1977 Neece D8/354
D246,346 S * 11/1977 Strunk D8/354

(Continued)

OTHER PUBLICATIONS

HP Quick Release Kit ****New Retail****, EM870AA, posted Jul. 6, 2011, [retrieved Mar. 12, 2018]. Retrieved from Internet, <URL: <https://www.amazon.it/HP-Quick-Release-Retail-EM870AA/dp/B000FBLNYG> >.*

(Continued)

Primary Examiner — Barbara Fox

Assistant Examiner — Kristin E Reed

(74) *Attorney, Agent, or Firm* — Egan Peterman Enders
Huston

(57) **CLAIM**

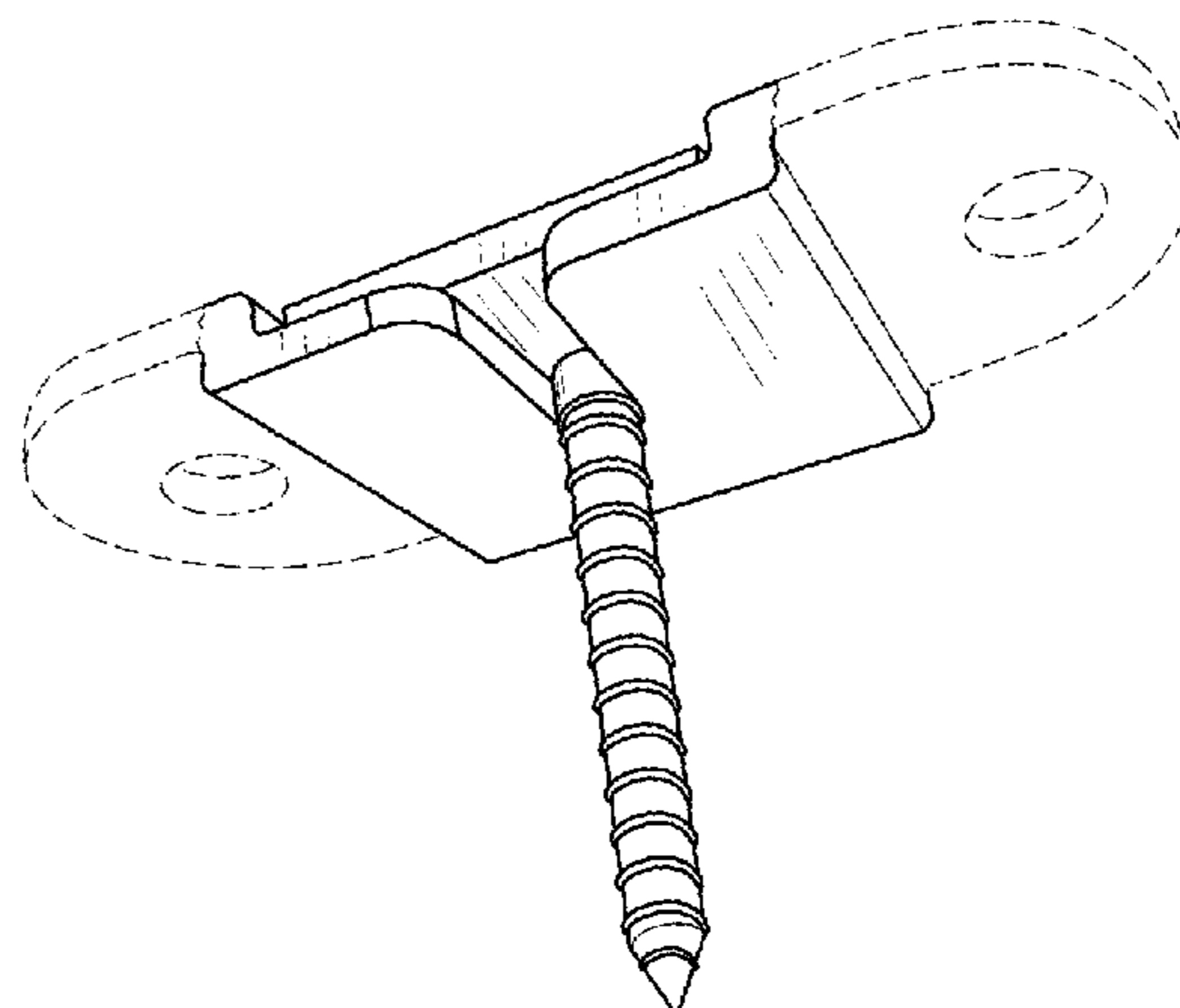
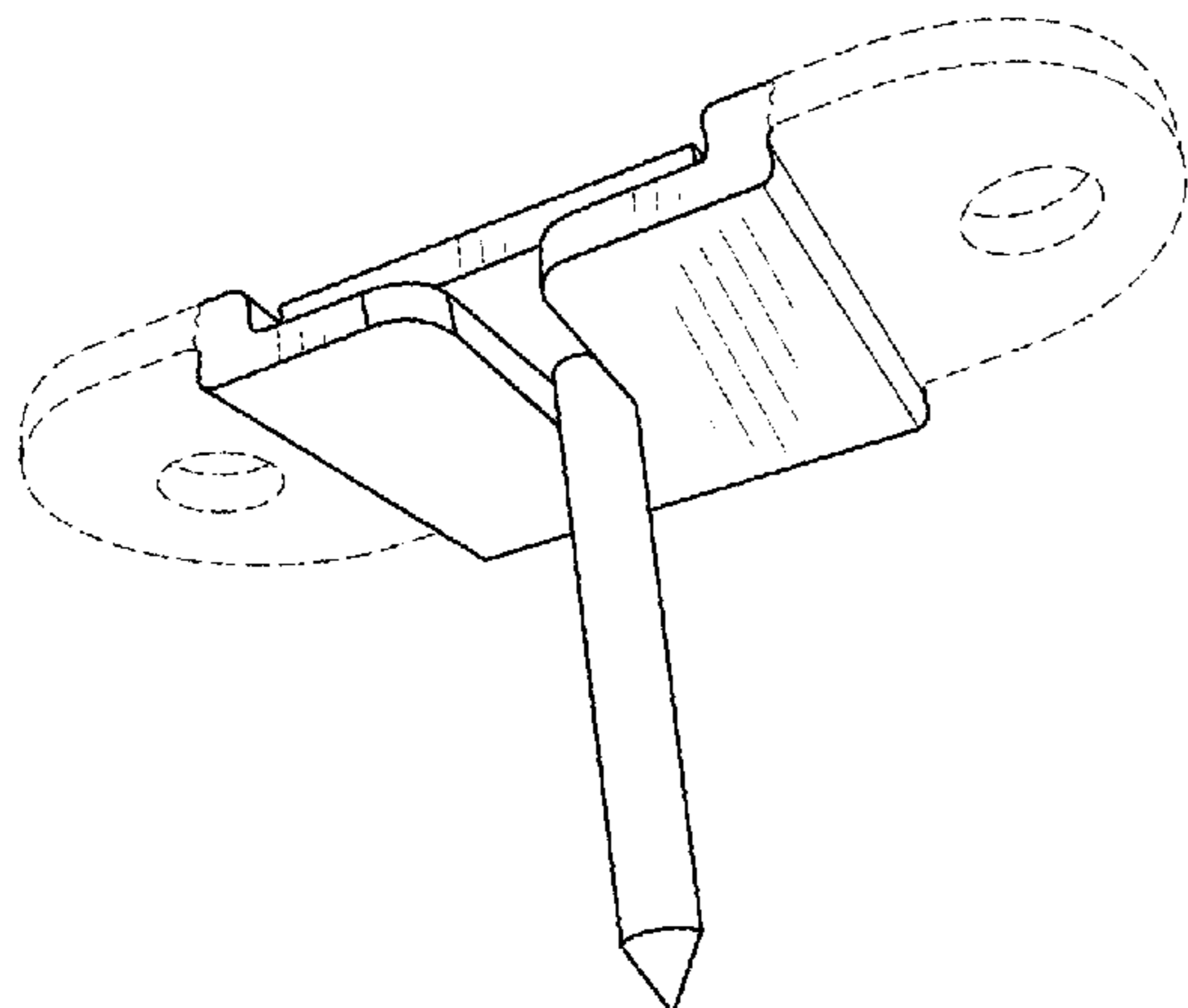
The ornamental design for a hanger assembly for wall-mounted articles, as shown and described.

DESCRIPTION

FIG. 1 is a front perspective view of a first embodiment of a hanger assembly for wall-mounted articles showing our new design;
FIG. 2 is a top plan view of FIG. 1;
FIG. 3 is a front elevational view of FIG. 1;
FIG. 4 is a rear elevational view of FIG. 1;
FIG. 5 is a right side elevational view of FIG. 1;
FIG. 6 is a left side elevational view of FIG. 1;
FIG. 7 is a bottom plan view of FIG. 1;
FIG. 8 is a front perspective view of a second embodiment of a hanger assembly for wall-mounted articles showing our new design;
FIG. 9 is a top plan view of FIG. 8;
FIG. 10 is a front elevational view of FIG. 8;
FIG. 11 is a rear elevational view of FIG. 8;
FIG. 12 is a right side elevational view of FIG. 8;
FIG. 13 is a left side elevational view of FIG. 8; and,
FIG. 14 is a bottom plan view of FIG. 8.

The broken lines depict portions of the hanger assembly for wall-mounted articles and form no part of the claimed design.

1 Claim, 6 Drawing Sheets



(56)

References Cited

U.S. PATENT DOCUMENTS

4,132,335 A * 1/1979 Ingram B60R 9/045
 224/324
 D272,211 S * 1/1984 Rock D8/323
 D295,369 S * 4/1988 Niwa 174/138 D
 D298,604 S * 11/1988 Newton D15/89
 D310,479 S * 9/1990 Speetzen D6/566
 D329,192 S * 9/1992 Susac D8/349
 5,549,234 A * 8/1996 Hong A47G 1/20
 227/119
 5,850,954 A * 12/1998 Dong-Joo H04M 1/04
 224/197
 D409,079 S * 5/1999 Sobczynski D8/354
 D452,081 S * 12/2001 Rowan D6/300
 D454,591 S * 3/2002 Vidmar et al. D19/65
 D465,147 S * 11/2002 Chaky D8/354
 D492,187 S * 6/2004 Mottini D8/354
 D623,507 S * 9/2010 Bowen, III D8/391

8,544,805 B2 * 10/2013 Virgin A47G 1/1606
 248/205.3
 D704,035 S * 5/2014 Wills D8/355
 D753,982 S * 4/2016 Guirlinger D8/349
 9,683,696 B2 * 6/2017 McCullough F16M 13/022

OTHER PUBLICATIONS

Quick Release Grey Lcd Tv Vesa Wall Bracket, posted Mar. 25, 2015, [retrieved Mar. 12, 2018]. Retrieved from Internet, <URL: <https://www.caravanstuff4u.co.uk/tv-satellite-accessories/569-quick-release-grey-lcd-tv-vesa-wall-bracket-5029833751403.html> >.*
 No Stud? No Problem!: NoStud Drywall Picture Hanger, posted Jan. 28, 2012, [retrieved Mar. 12, 2018]. Retrieved from Internet, <URL: <https://homefixated.com/no-stud-picture-hanger/> >.*
 SpringLOCK Security Picture Fixings, posted unknown, [retrieved Mar. 12, 2018]. Retrieved from Internet, <URL: <https://www.springlock.co.uk/> >.*

* cited by examiner

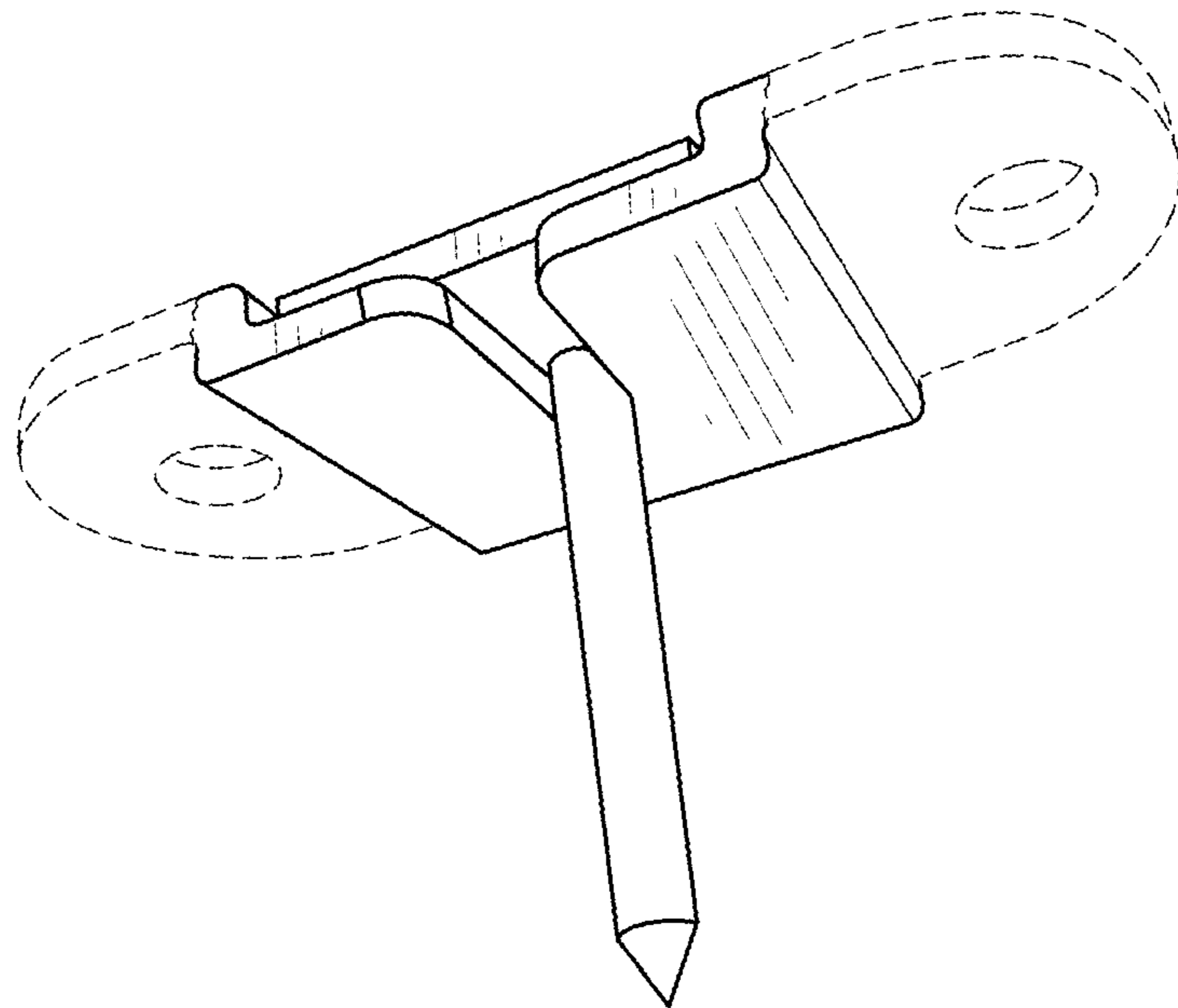


FIG. 1

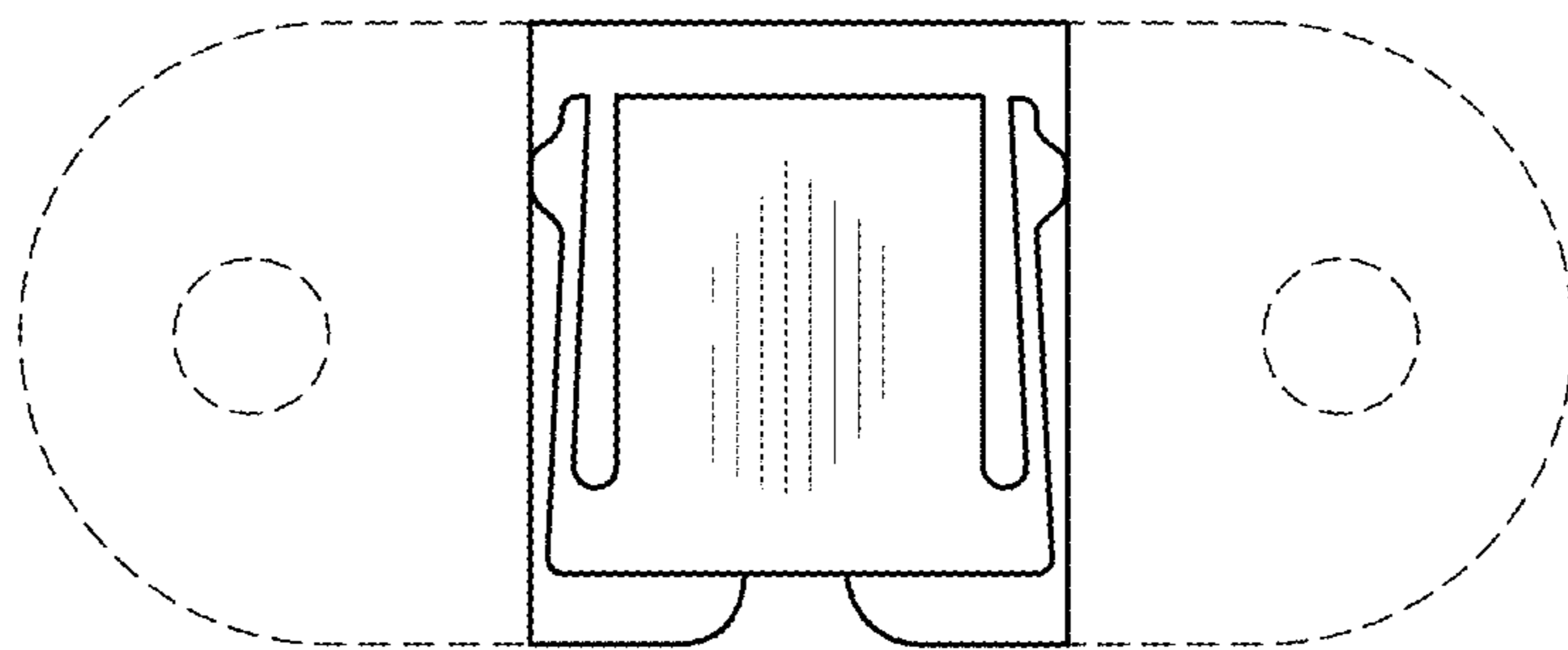


FIG. 2

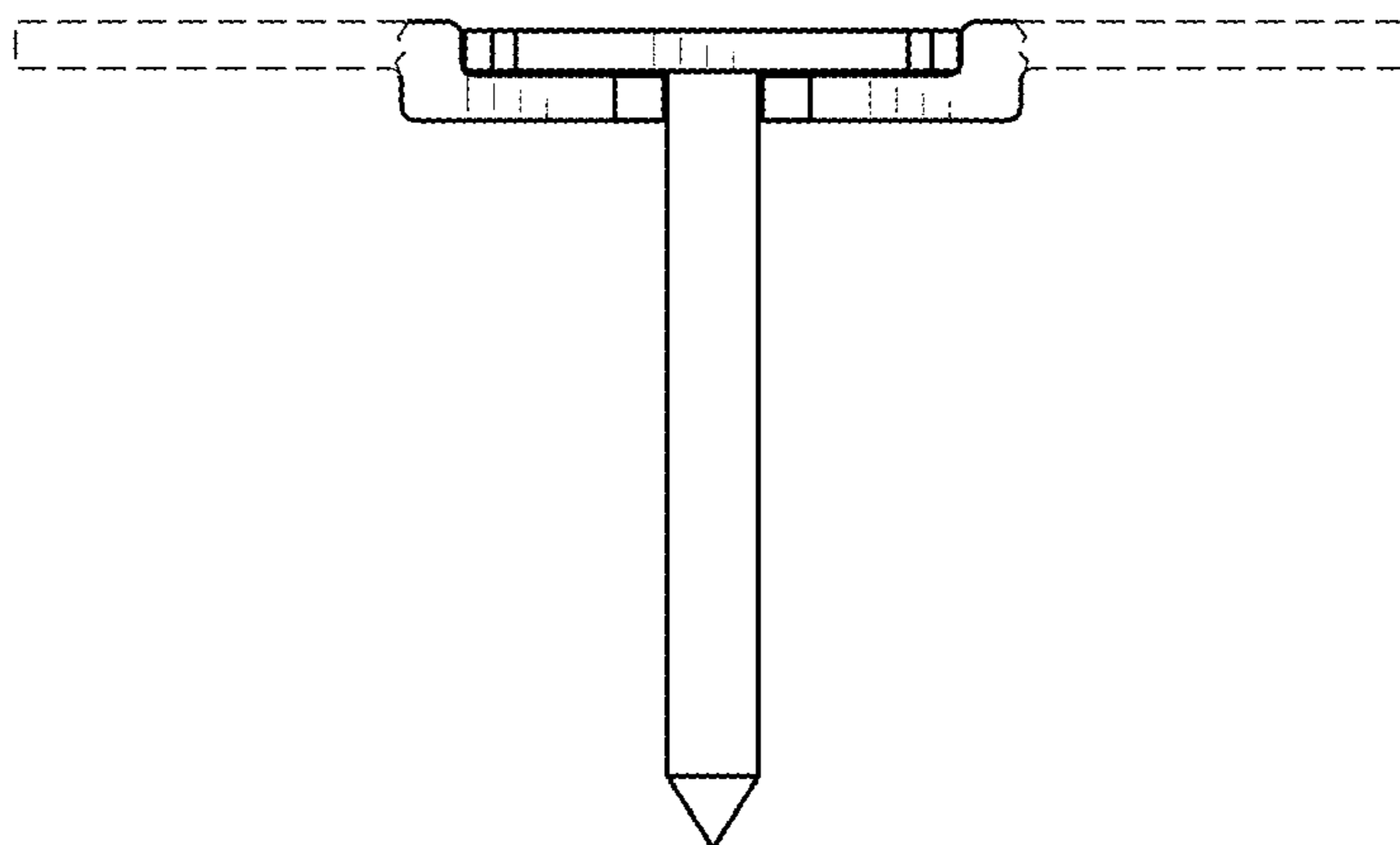


FIG. 3

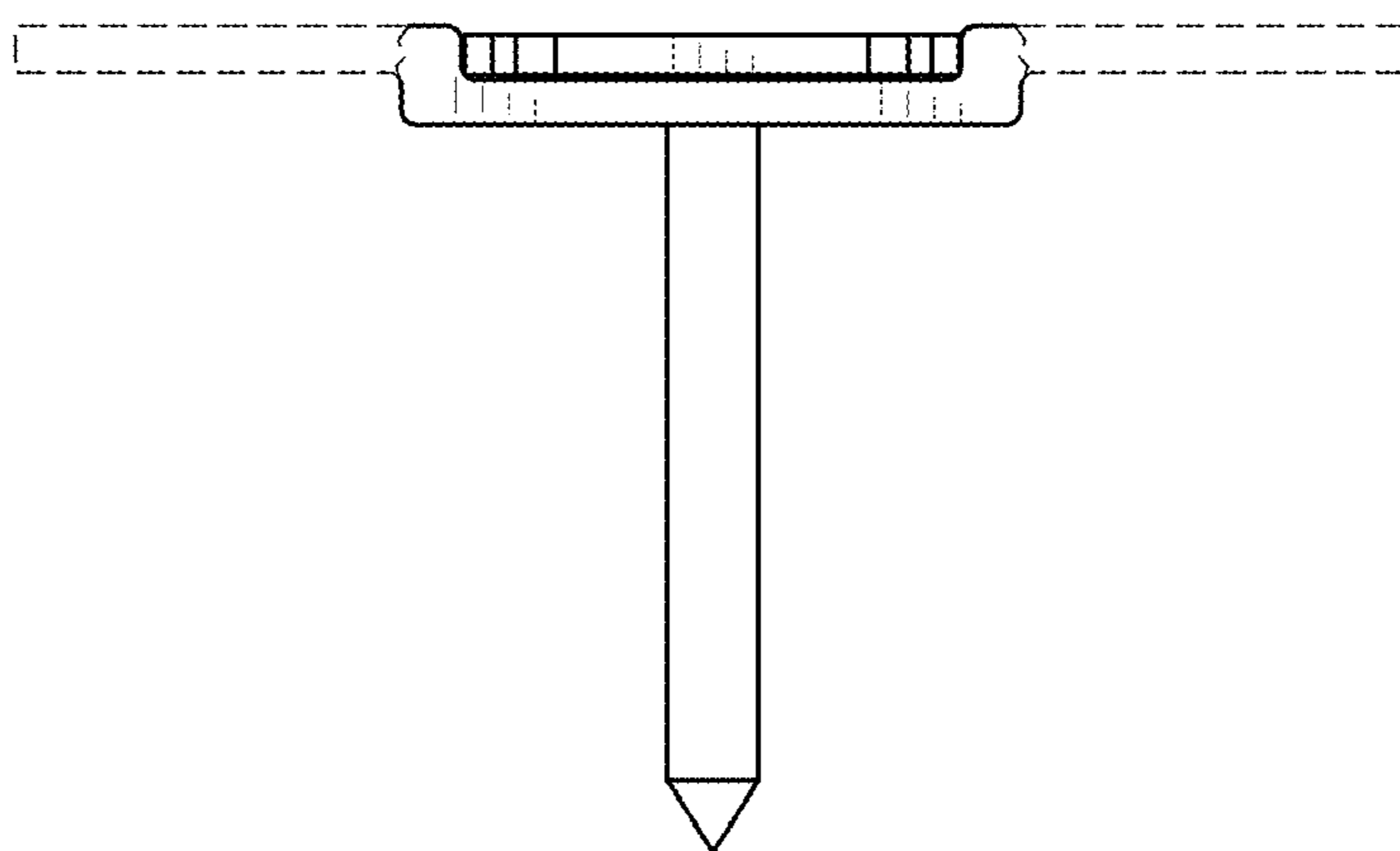


FIG. 4

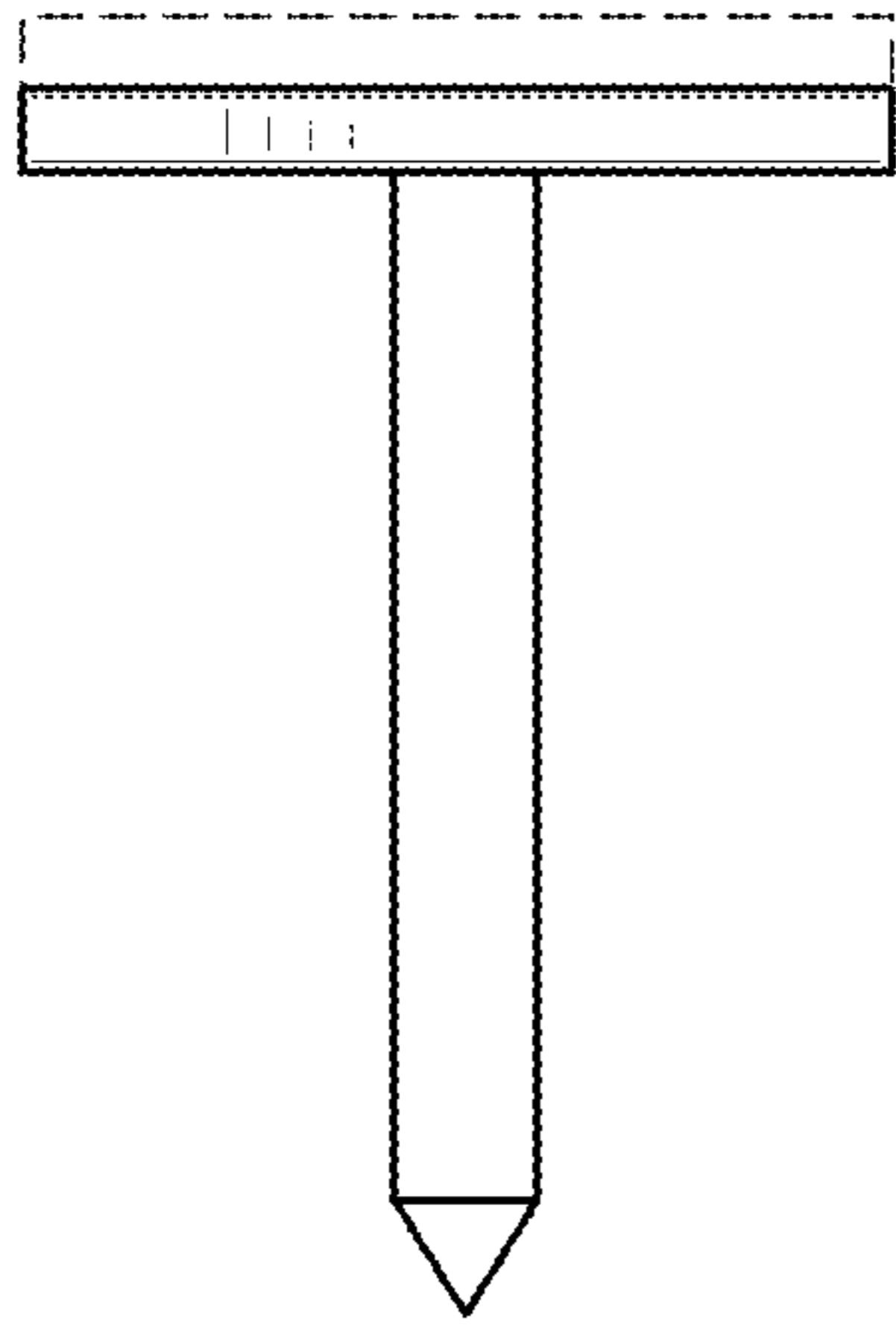


FIG. 5

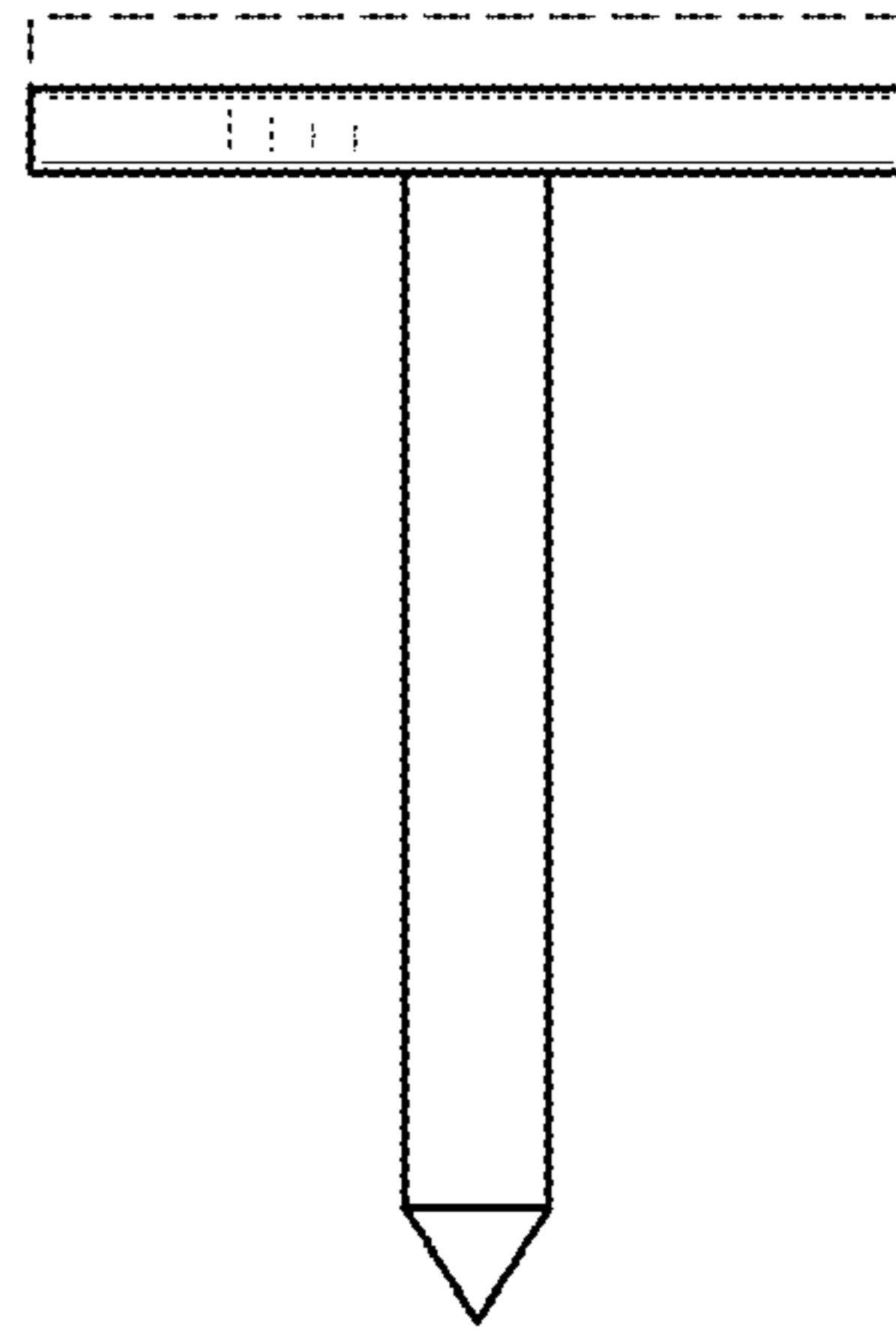


FIG. 6

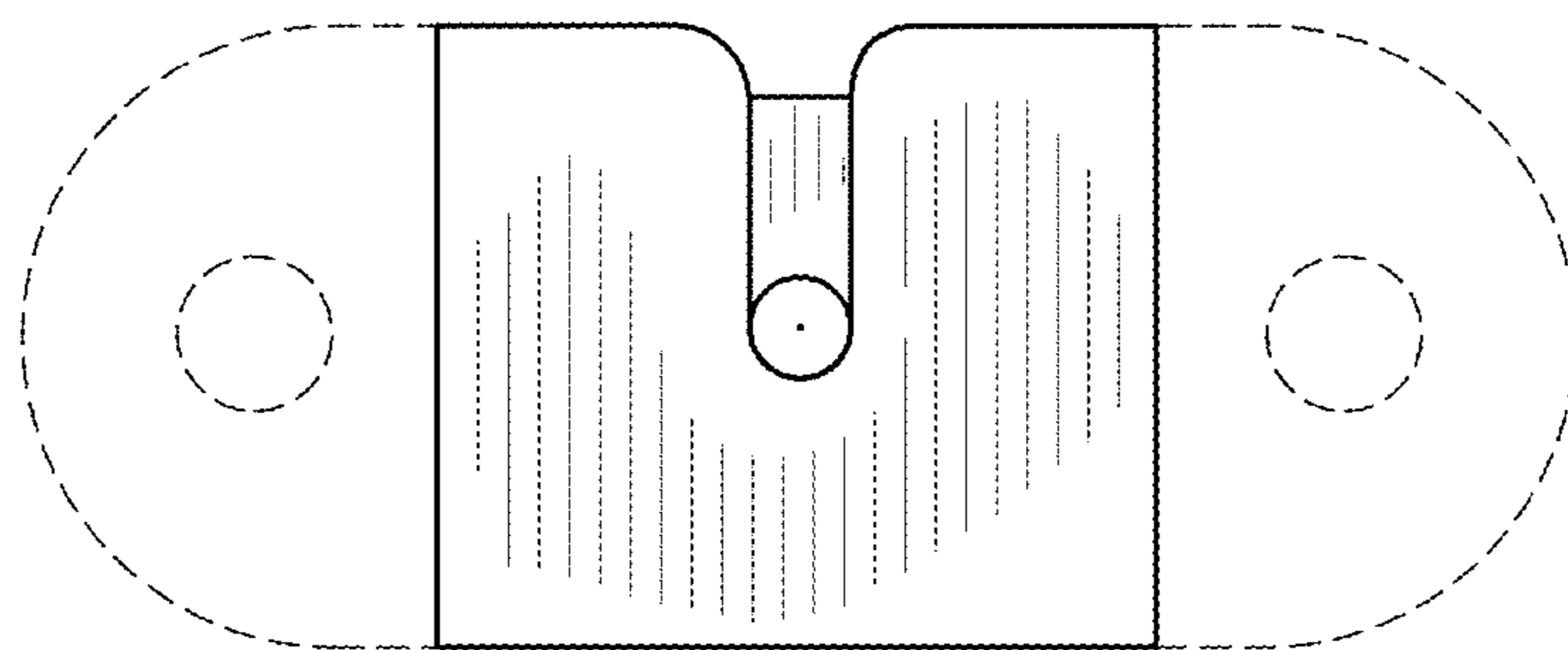


FIG. 7

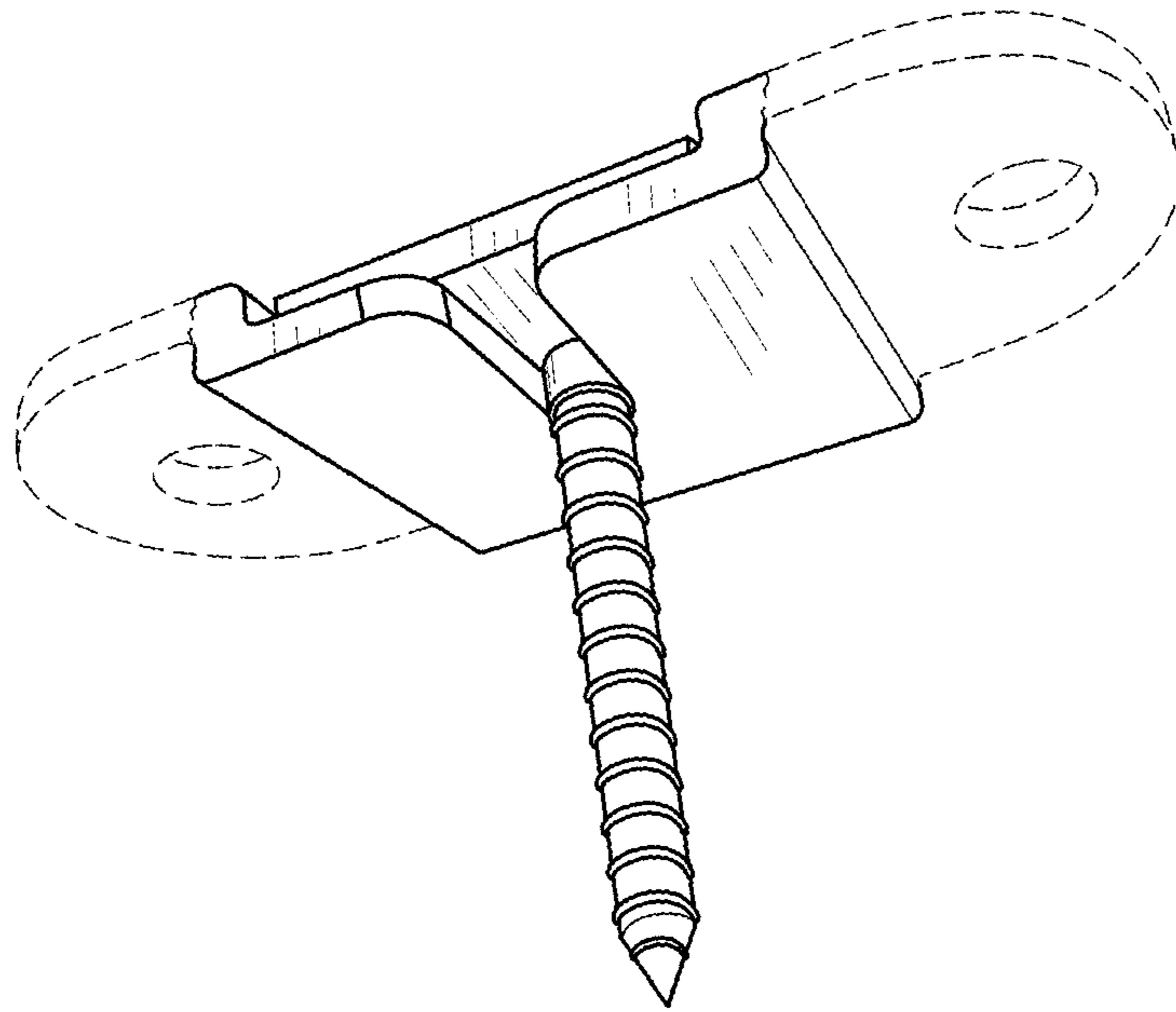


FIG. 8

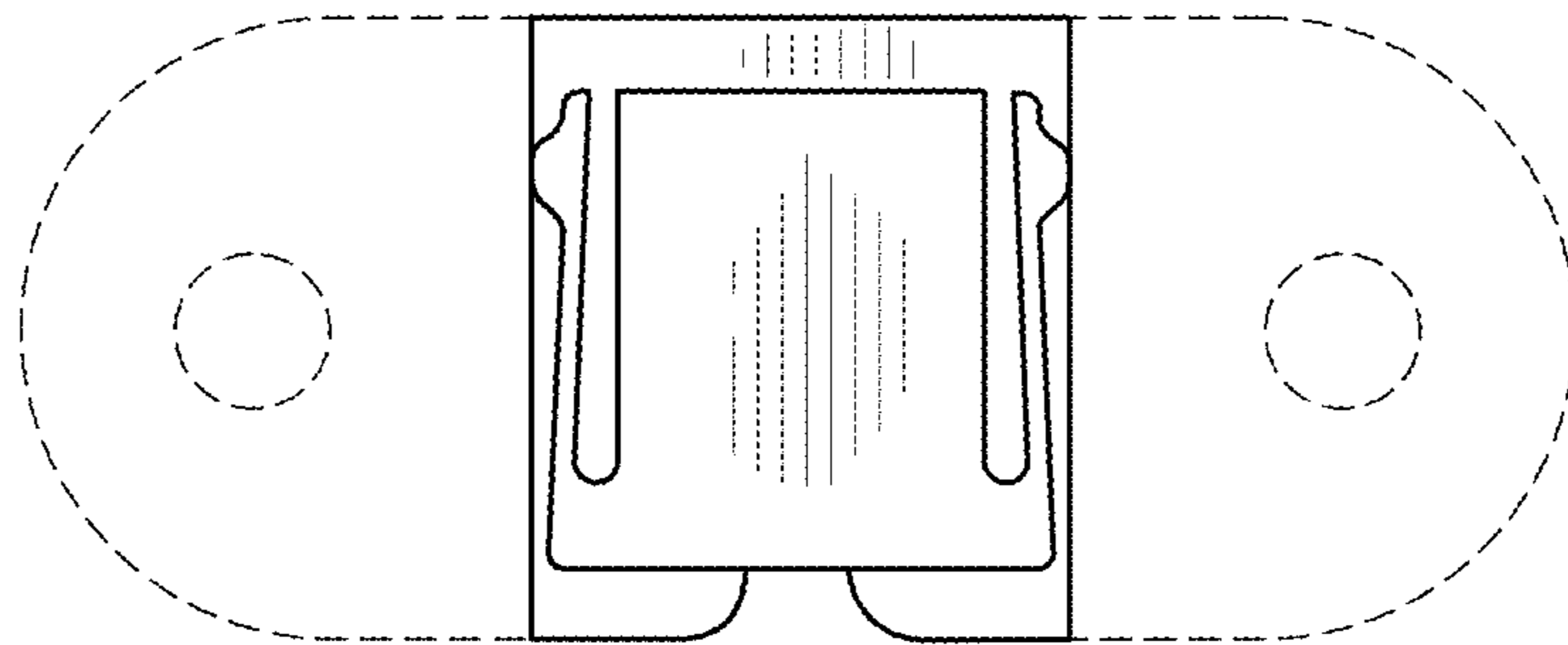


FIG. 9

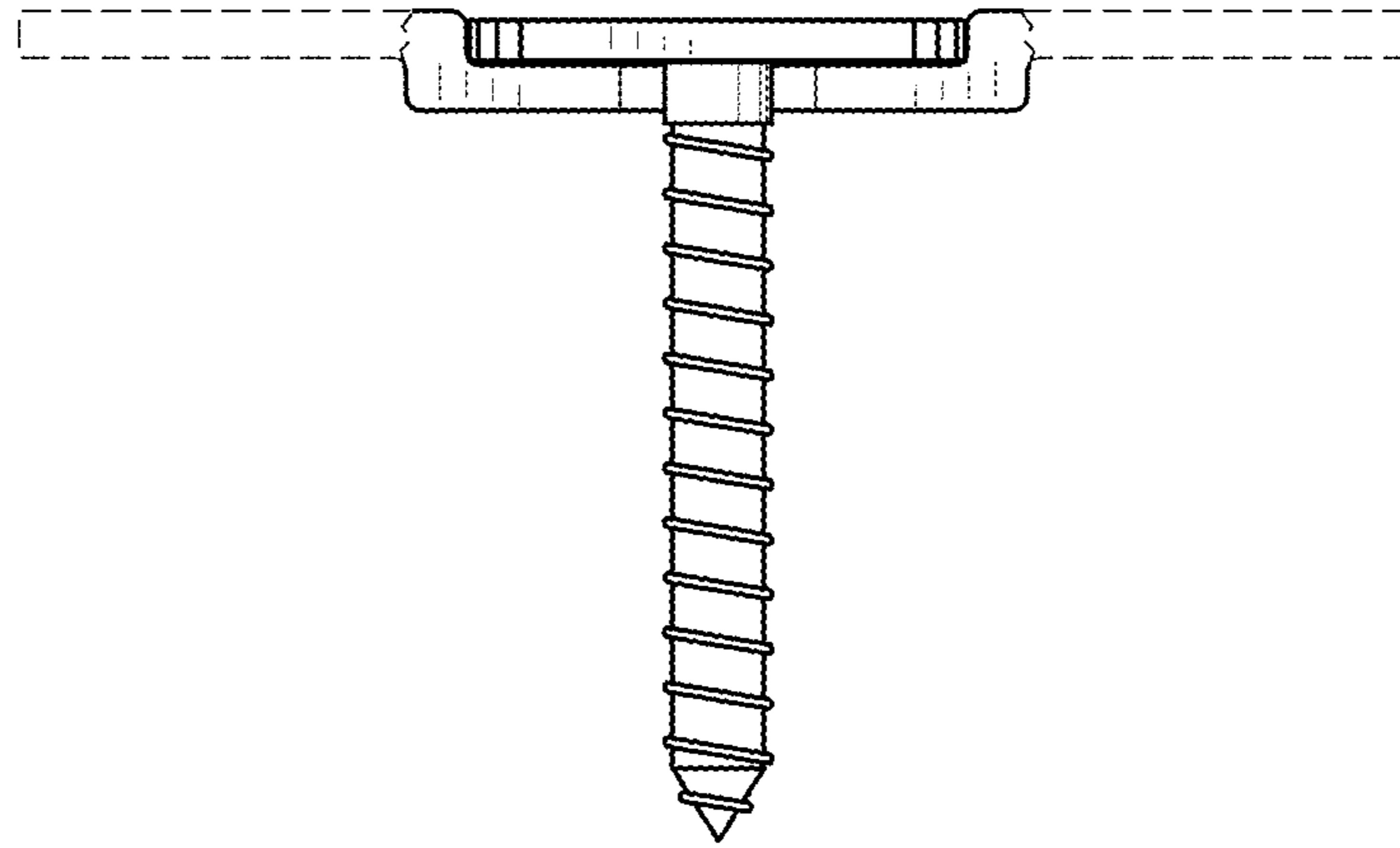


FIG. 10

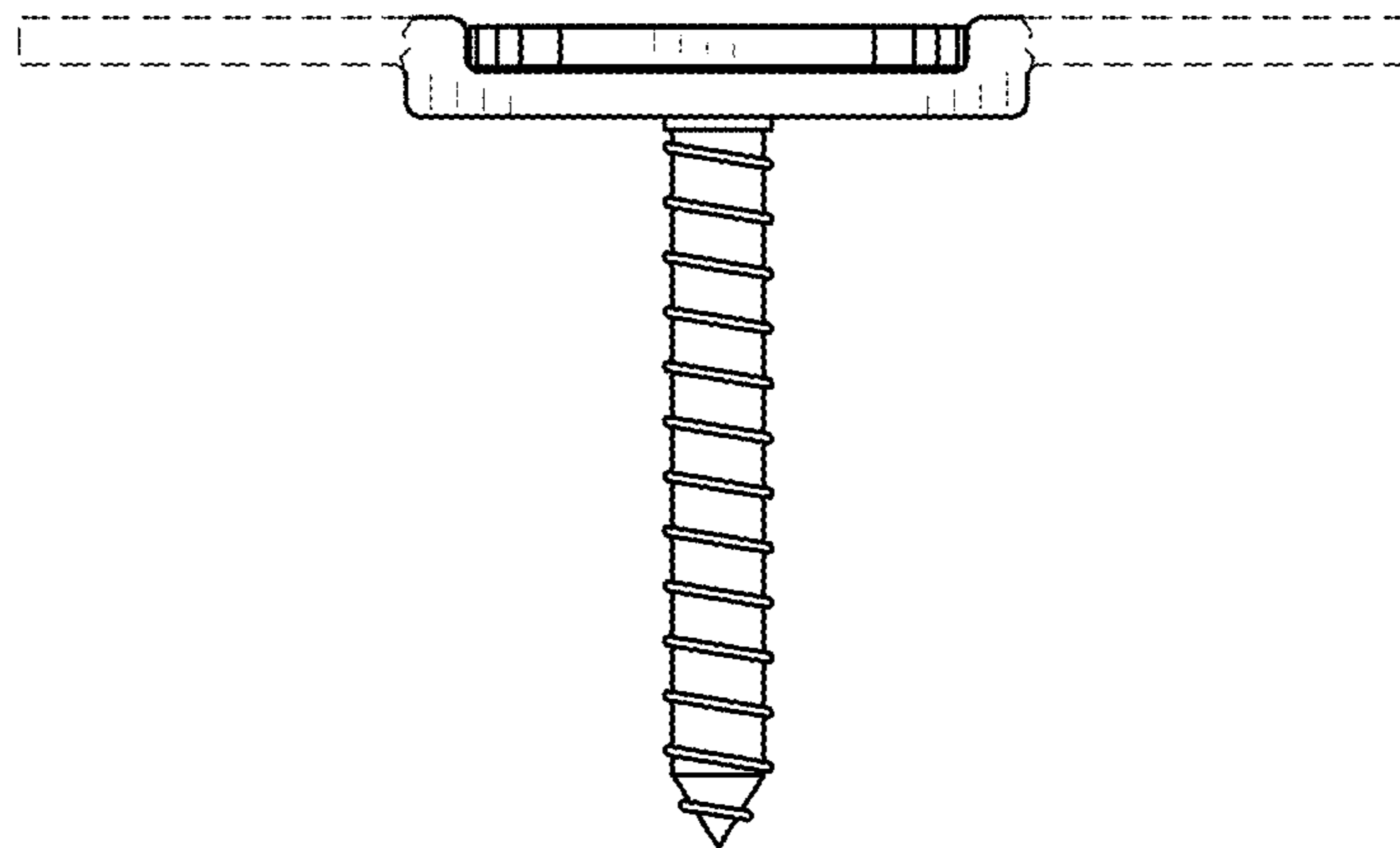


FIG. 11

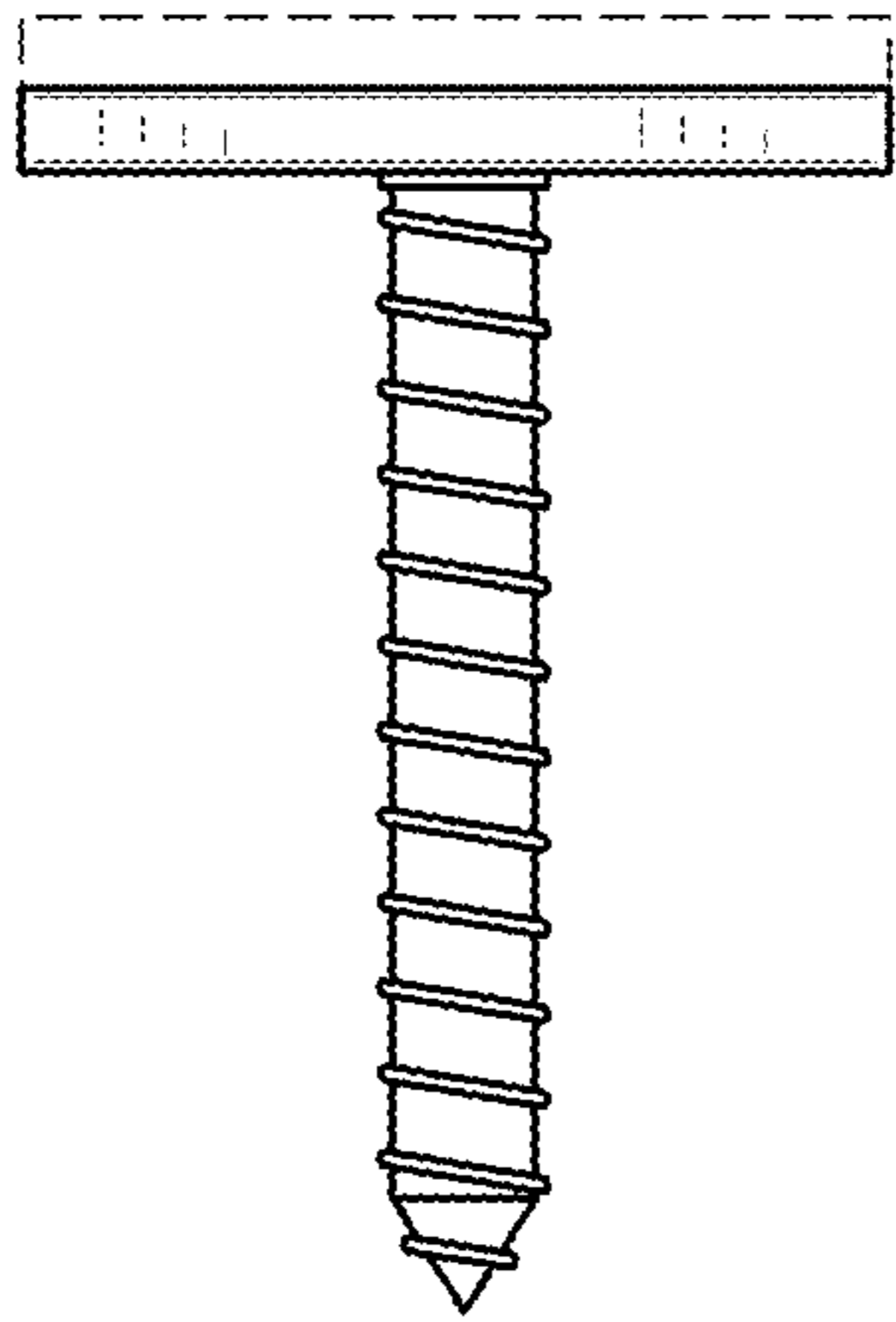


FIG. 12

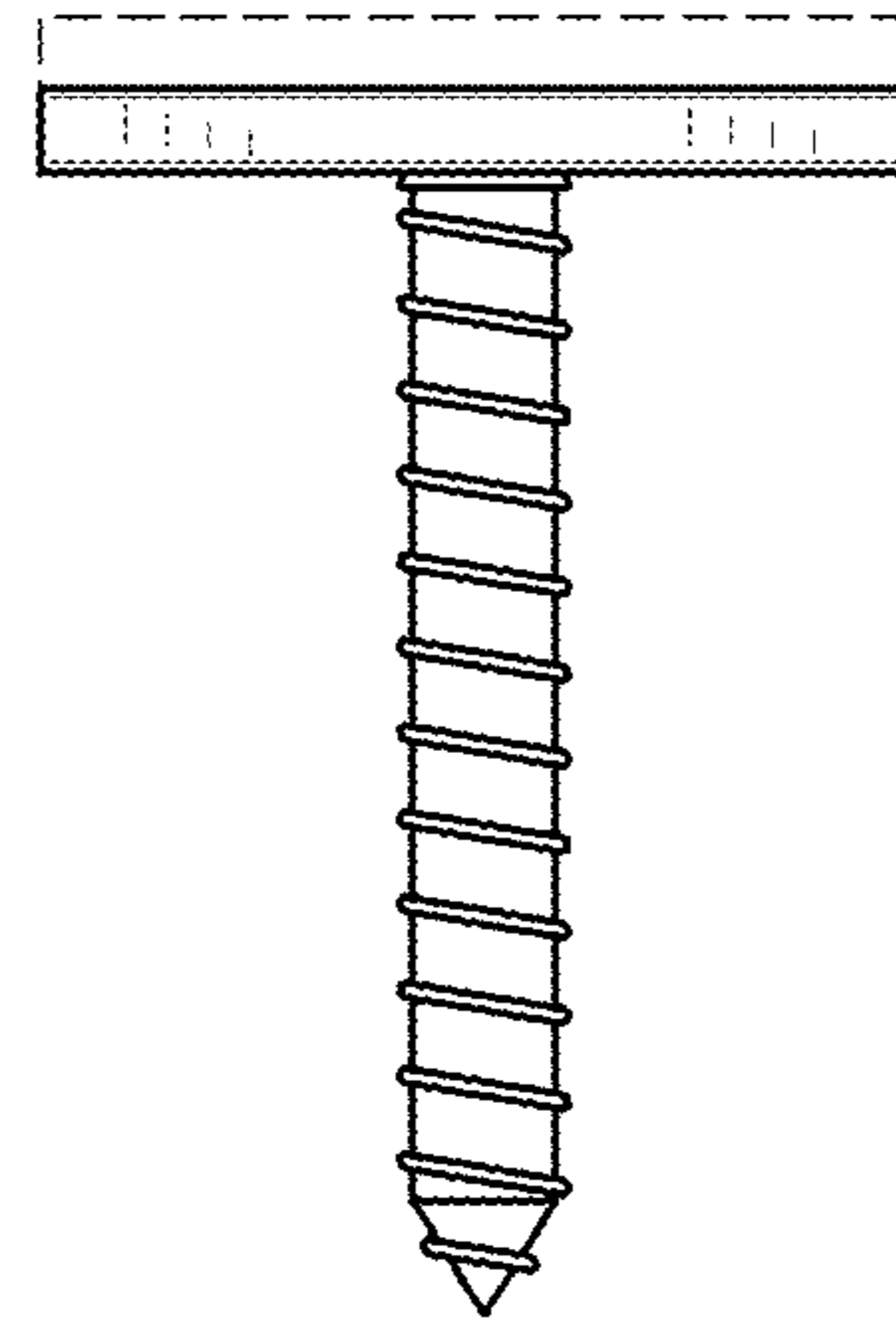


FIG. 13

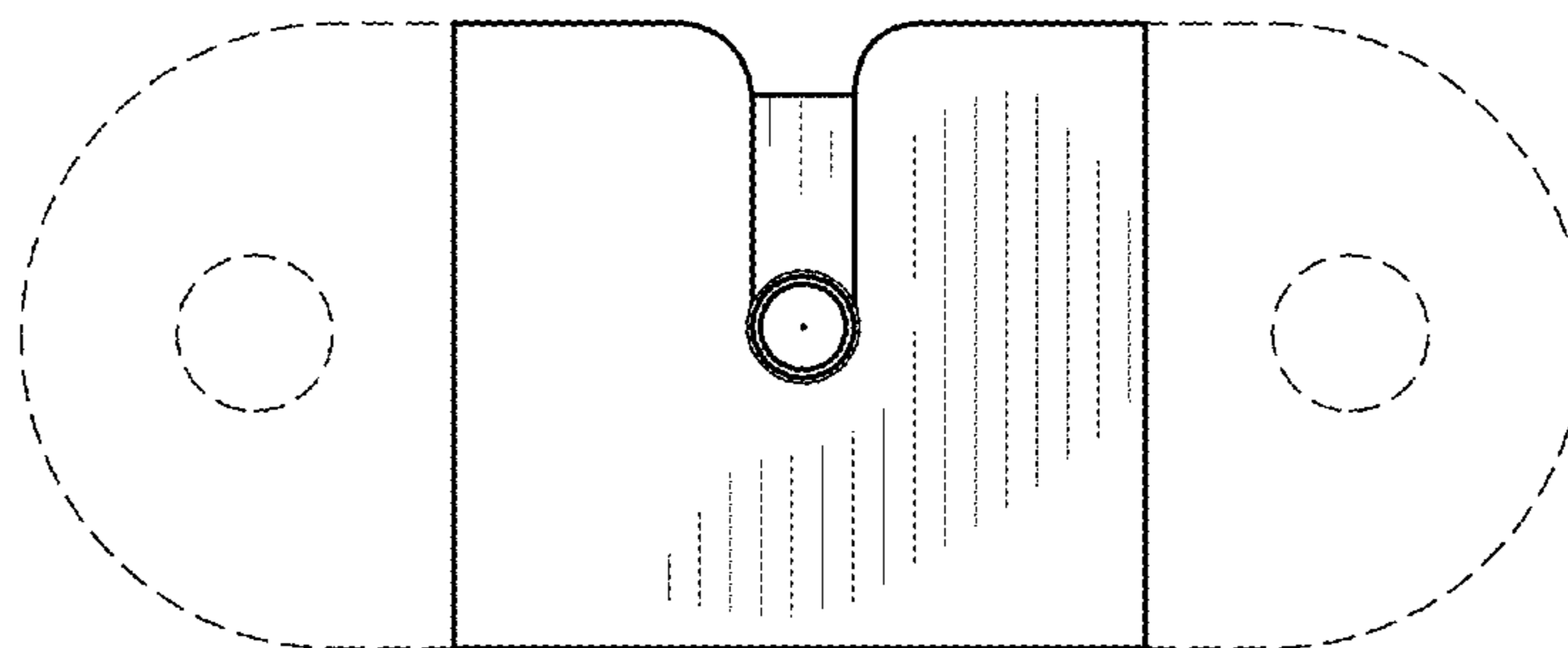


FIG. 14