



US00D818796S

(12) **United States Design Patent** (10) **Patent No.:** **US D818,796 S**
Huang et al. (45) **Date of Patent:** **** May 29, 2018**

(54) **LATCH**

(71) Applicant: **MAYAPPLE BABY LLC**, Brooklyn, NY (US)

(72) Inventors: **Jianying Huang**, Brooklyn, NY (US);
Chris Hazzard, Brooklyn, NY (US);
Mingbo Zhang, Brooklyn, NY (US)

(73) Assignee: **Mayapple Baby LLC**, Brooklyn, NY (US)

(**) Term: **15 Years**

(21) Appl. No.: **29/607,811**

(22) Filed: **Jun. 16, 2017**

(51) **LOC (11) Cl.** **08-07**

(52) **U.S. Cl.**
USPC **D8/331; D8/343**

(58) **Field of Classification Search**
USPC D8/330, 331, 336, 339, 343, 349, 302,
D8/354, 499; 70/14, 19, 51, 57, 57.1,
70/102, 107, 141, 142, 262, 266, 321,
70/320, 322, 431, 465, DIG. 80; 292/32,
292/63, 92, 137, 289, 290, 292, 358, 359,
292/DIG. 29, DIG. 68, 67, 202, 235, 153,
292/238; 16/86.1, 86.2
CPC ... E05B 1/00; E05B 1/007; E05B 3/00; E05B
3/003; E05B 5/00; E05B 9/00; E05B
9/02; E05B 7/00; E05B 15/00; E05B
17/00; E05B 15/02; E05B 15/022

See application file for complete search history.

(56) **References Cited**

U.S. PATENT DOCUMENTS

| | | | |
|----------------|--------|-----------------|---------------------------|
| 5,348,386 A * | 9/1994 | Grass | A47B 88/9412 312/348.2 |
| D471,426 S * | 3/2003 | Weinerman | D8/330 |
| D471,427 S * | 3/2003 | Weinerman | D8/330 |
| D609,551 S * | 2/2010 | Gibbs | D8/331 |
| 7,735,943 B2 * | 6/2010 | Hottmann | E05D 3/16 312/327 |
| 7,740,429 B2 * | 6/2010 | Marmur | B61D 45/007 410/77 |
| D760,575 S * | 7/2016 | Werner | D8/331 |
| 9,447,618 B2 * | 9/2016 | Albers | E05C 19/12 |
| D789,770 S * | 6/2017 | Reeb | D8/330 |

* cited by examiner

Primary Examiner — Prabhakar Deshmukh

(74) *Attorney, Agent, or Firm* — Winston & Strawn LLP

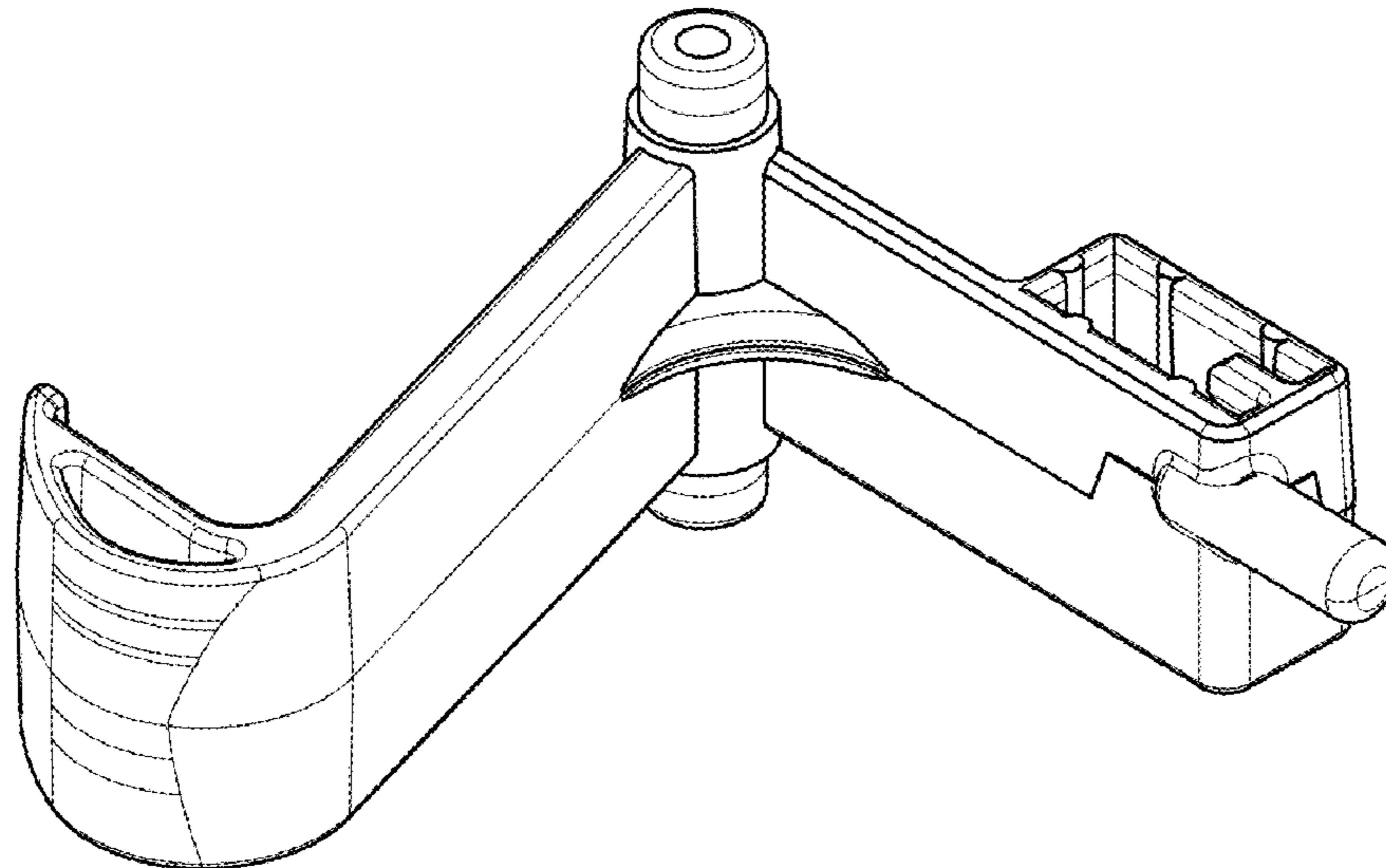
(57) **CLAIM**

The ornamental design for a latch, as shown and described.

DESCRIPTION

FIG. 1 is a perspective view of an embodiment of a latch according to our new design;
FIG. 2 is a side view of the latch of FIG. 1;
FIG. 3 is an opposite side view of latch of FIG. 1;
FIG. 4 is a rear view of the latch of FIG. 1;
FIG. 5 is a front view of the latch of FIG. 1;
FIG. 6 is a top view of the latch of FIG. 1; and,
FIG. 7 is a bottom view of the latch of FIG. 1.

1 Claim, 7 Drawing Sheets



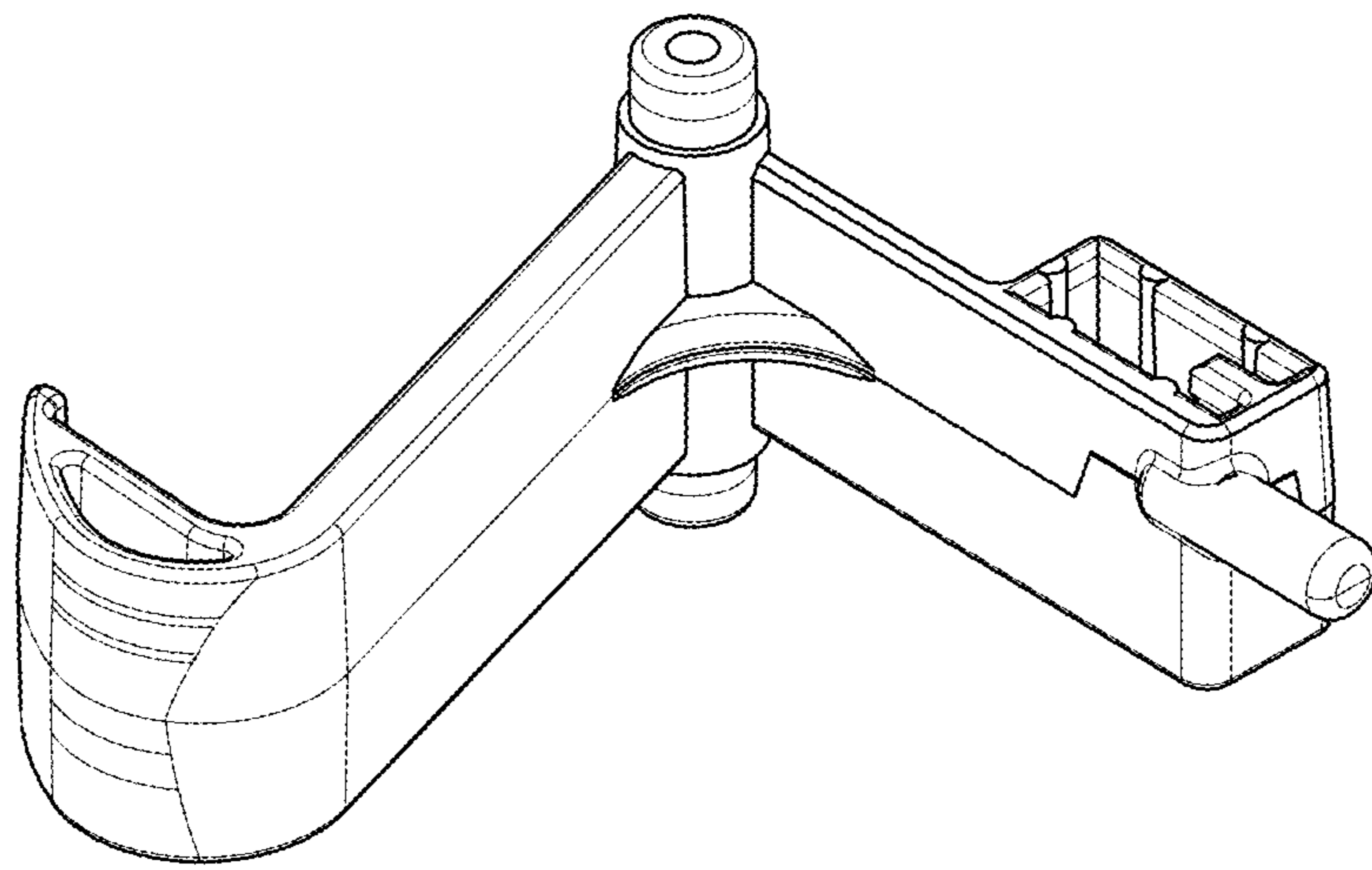


FIG. 1

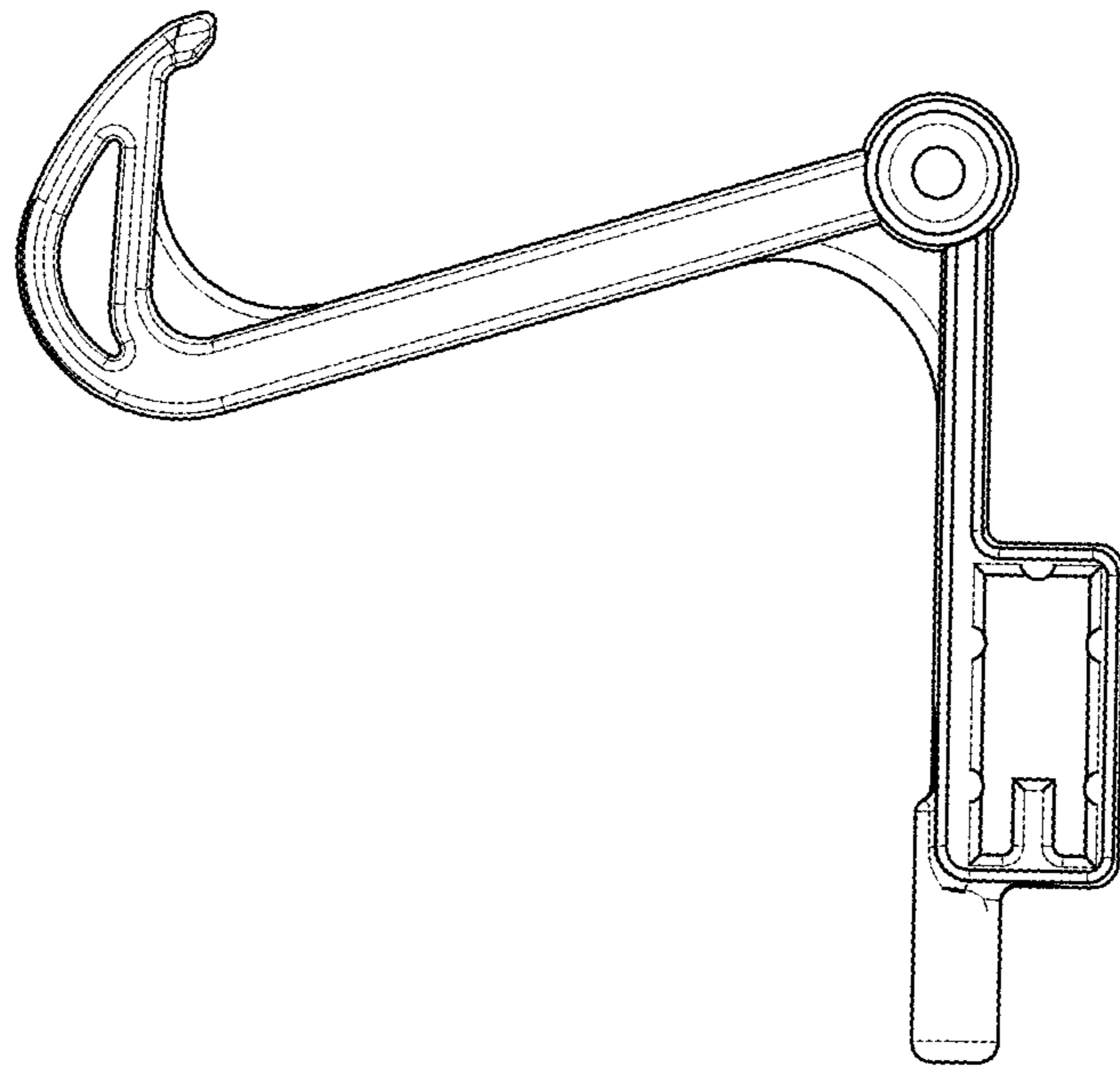


FIG. 2

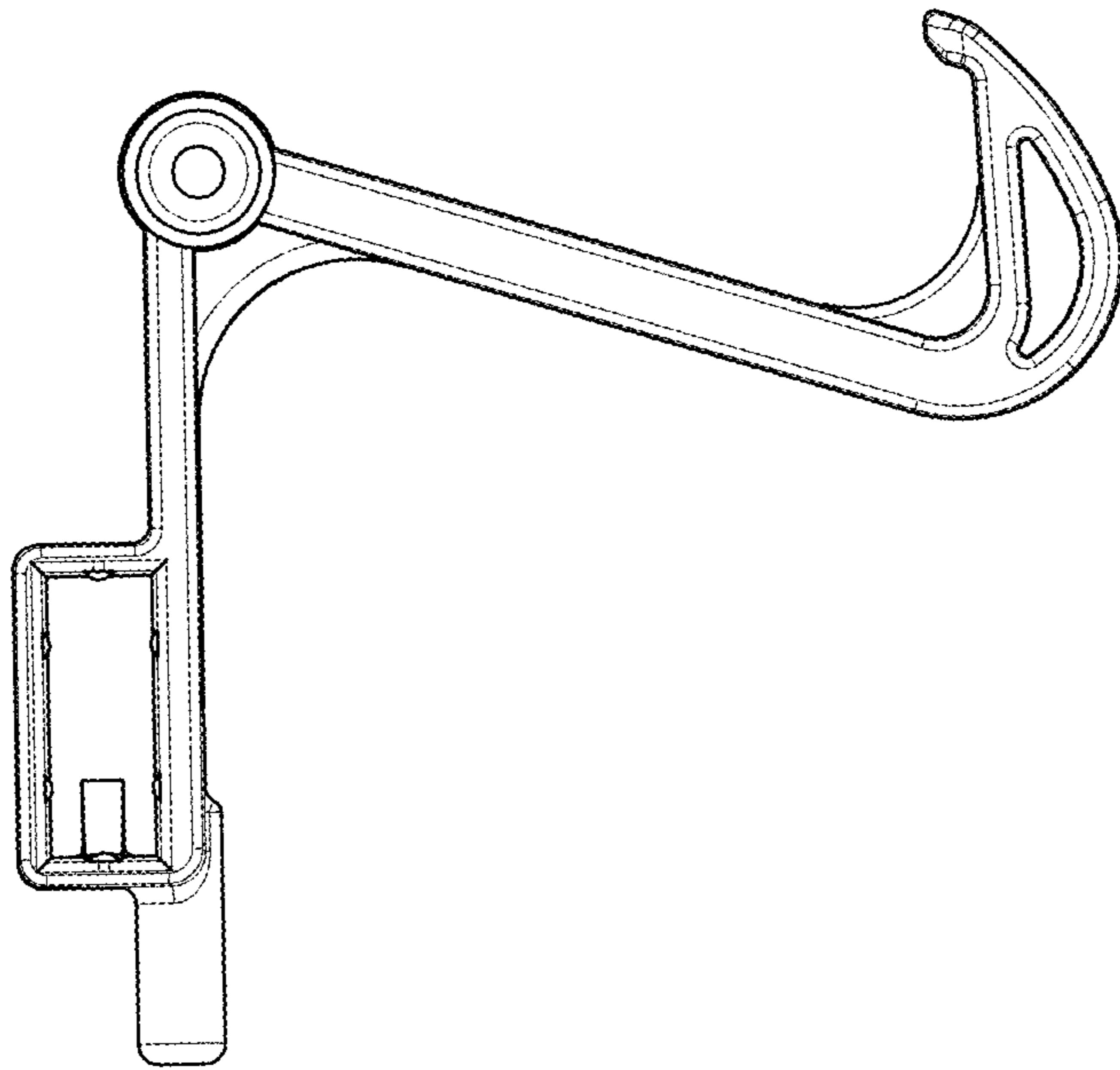


FIG. 3

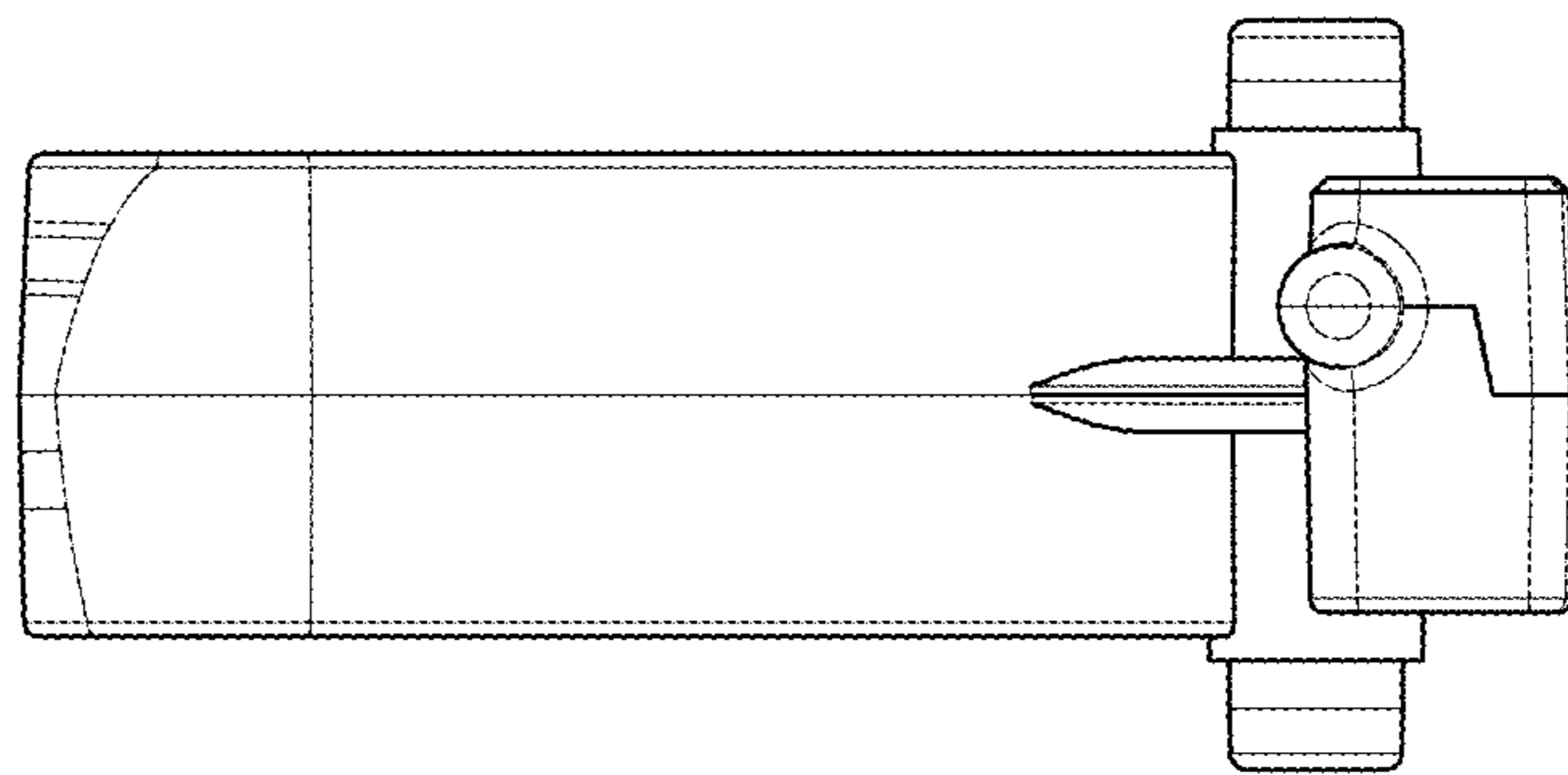


FIG. 4

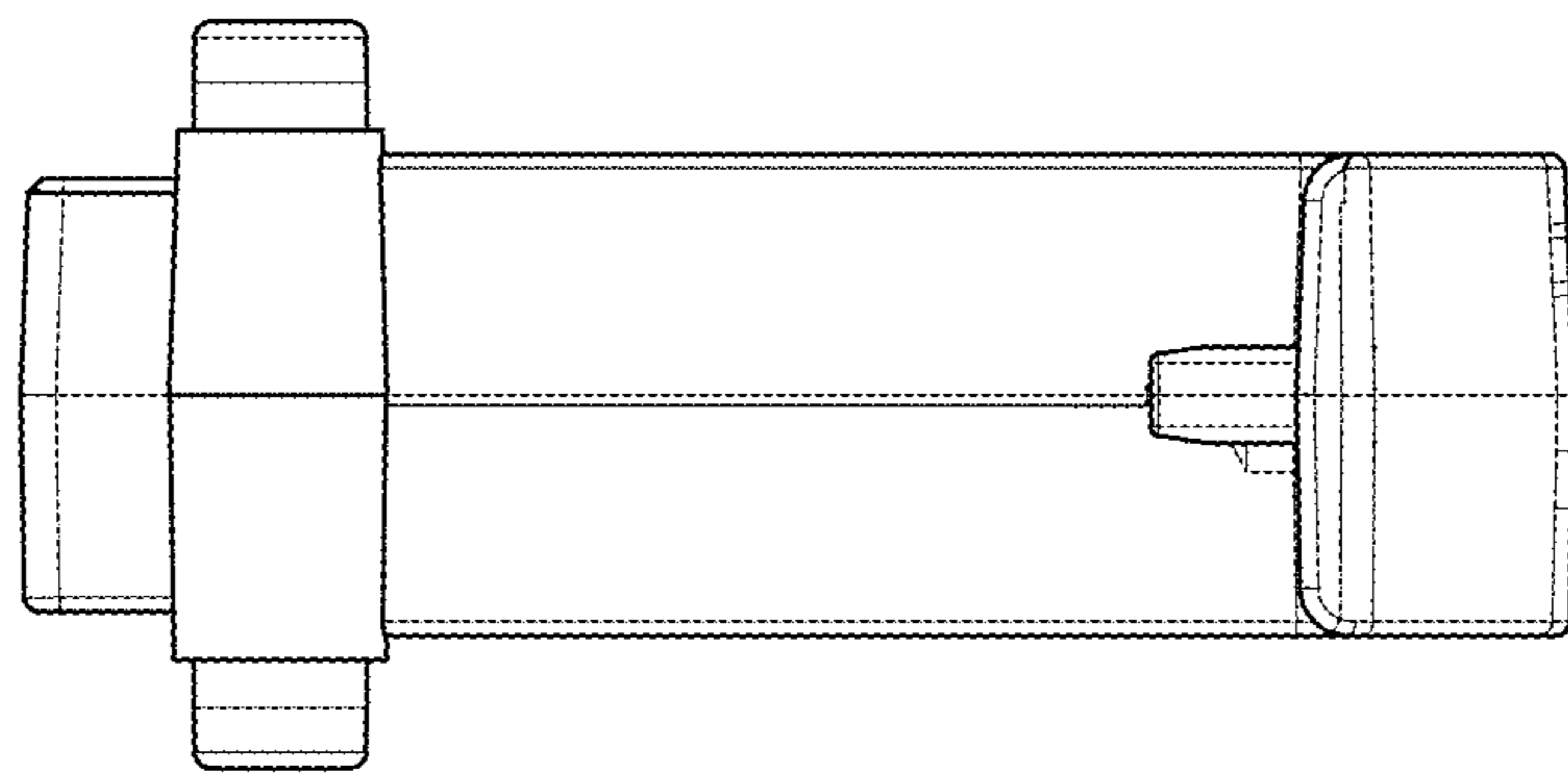


FIG. 5

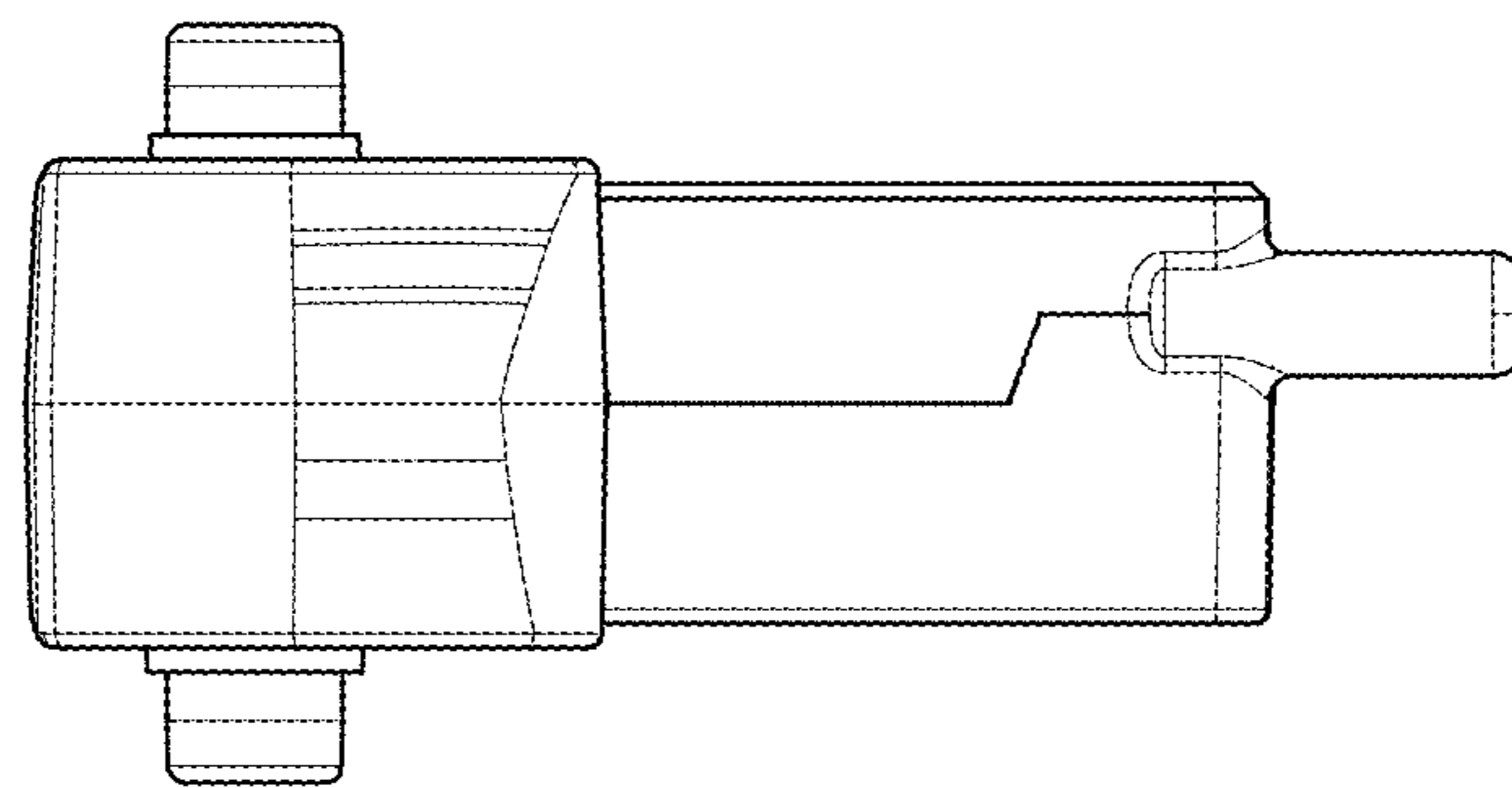


FIG. 6

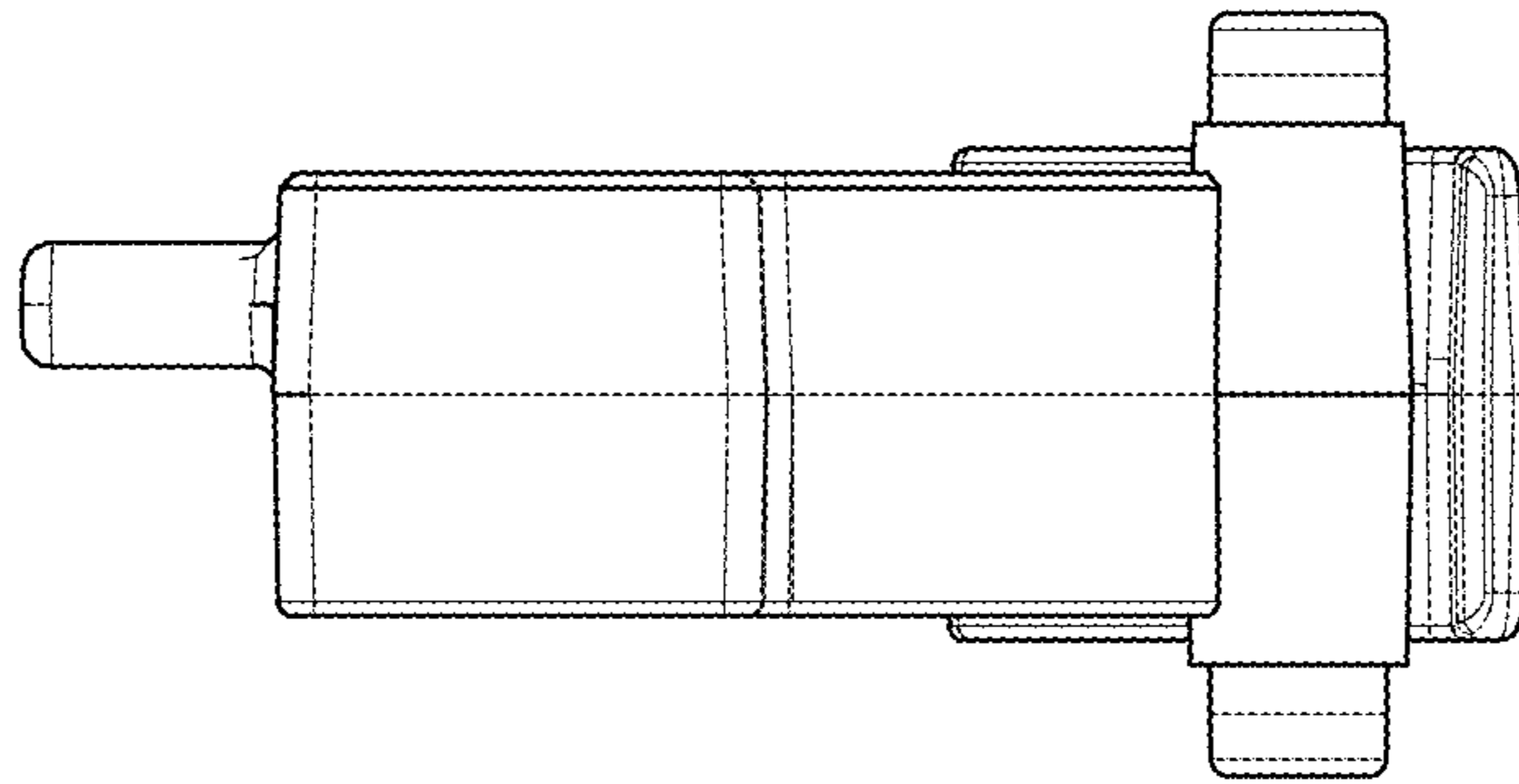


FIG. 7