



US00D818795S

(12) **United States Design Patent** (10) **Patent No.:** **US D818,795 S**
Morstatt (45) **Date of Patent:** **** May 29, 2018**

(54) **DOOR LOCK**

(71) Applicant: **ASSA ABLOY Residential Group, Inc.**, New Haven, CT (US)

(72) Inventor: **Scott Morstatt**, Maryville, TN (US)

(73) Assignee: **ASSA ABLOY Residential Group, Inc.**, New Haven, CT (US)

(**) Term: **15 Years**

(21) Appl. No.: **29/599,198**

(22) Filed: **Mar. 31, 2017**

(51) **LOC (11) Cl.** **08-07**

(52) **U.S. Cl.**
USPC **D8/331; D8/330**

(58) **Field of Classification Search**
USPC D8/330, 331, 334, 300, 301; 70/14,
70/20-22, 57, 57.1, 284-286, 314,
70/DIG. 44
CPC E05B 47/00; E05B 47/0692; E05B 63/044;
E05B 15/02; H01H 9/00
See application file for complete search history.

(56) **References Cited**

U.S. PATENT DOCUMENTS

D271,374 S	11/1983	Butts	
6,145,353 A *	11/2000	Doucet E05B 47/0692 70/149
6,733,050 B1 *	5/2004	Yao E05B 63/044 292/137
D502,859 S *	3/2005	Peng D8/331
7,091,429 B2 *	8/2006	Case E05B 15/02 200/314
D552,967 S *	10/2007	Roberts D8/330
D570,188 S *	6/2008	Luo D8/330
D576,016 S *	9/2008	Min D8/330
D595,109 S *	6/2009	Doucet D8/330
D666,074 S *	8/2012	Genord D8/330
D673,153 S	12/2012	Bousfield et al.	
D755,605 S	5/2016	Kraus et al.	

(Continued)

OTHER PUBLICATIONS

[No Author Listed] Assure Lock™. Yale Home. 2 pages. <http://www.yalehome.com/en/yale/yalehome/residential/yale-real-living/assure-lock> [last accessed May 30, 2017].

(Continued)

Primary Examiner — Prabhakar Deshmukh
(74) *Attorney, Agent, or Firm* — Wolf, Greenfield & Sacks, P.C.

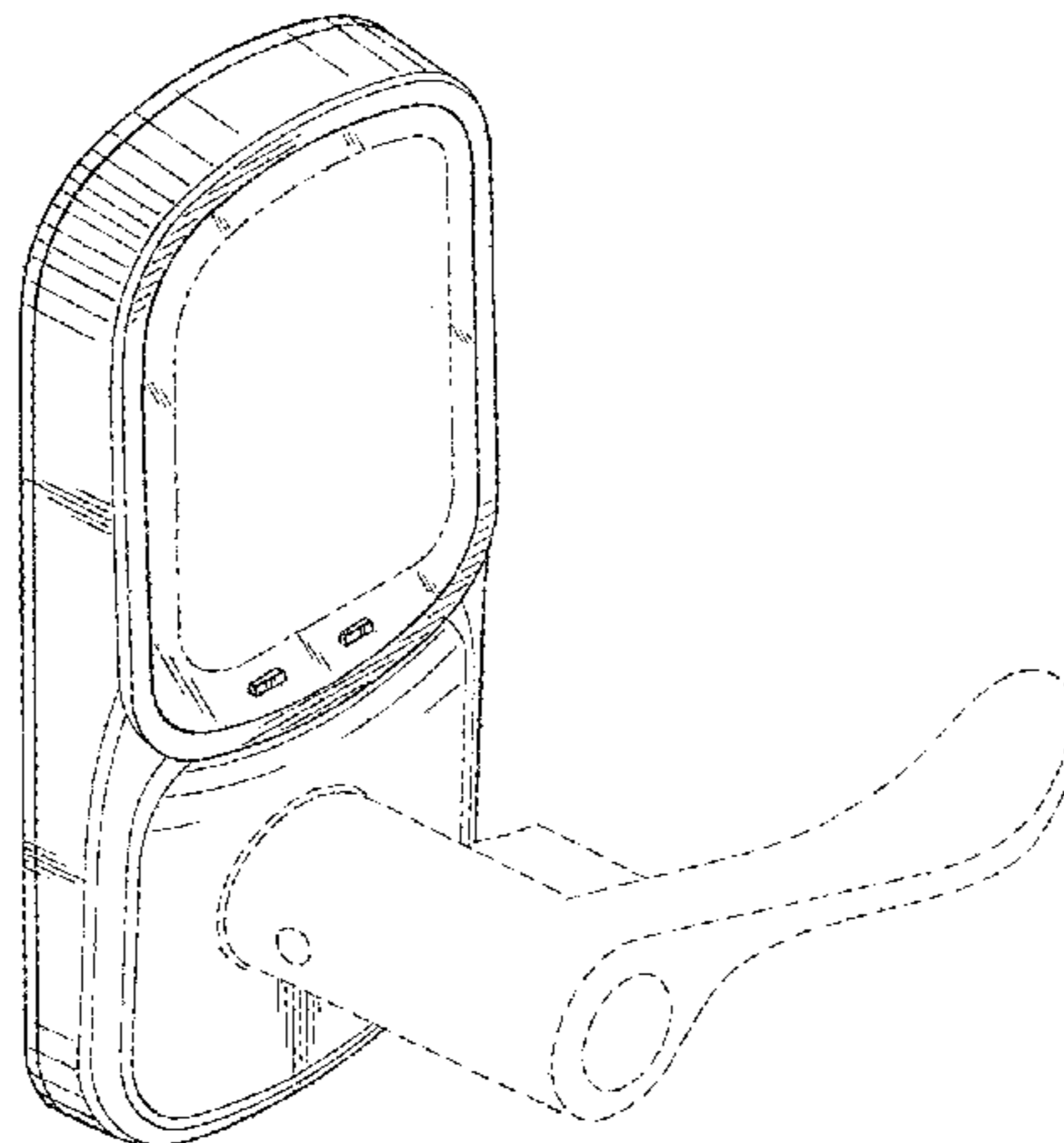
(57) **CLAIM**

The ornamental design for a door lock, as shown and described.

DESCRIPTION

FIG. 1 is a top, front, left side perspective view of a first embodiment of a door lock according to my new design; FIG. 2 is a front elevation view of FIG. 1; FIG. 3 is rear elevation view of FIG. 1; FIG. 4 is a left side elevation view of FIG. 1; FIG. 5 is a right side elevation view of FIG. 1; FIG. 6 is a top plan view of FIG. 1; FIG. 7 is a bottom plan view of FIG. 1; FIG. 8 is a top, front, left side perspective view of a second embodiment of a door lock according to my new design; FIG. 9 is a front elevation view of FIG. 8; FIG. 10 is rear elevation view of FIG. 8; FIG. 11 is a left side elevation view of FIG. 8; FIG. 12 is a right side elevation view of FIG. 8; FIG. 13 is a top plan view of FIG. 8; and, FIG. 14 is a bottom plan view of FIG. 8. The dash-dash broken lines show portions of the door lock that form no part of the claimed design. The dot-dash broken lines represent boundaries of the claimed design and form no part of the claimed design.

1 Claim, 12 Drawing Sheets



(56)

References Cited

U.S. PATENT DOCUMENTS

D768,463 S 10/2016 Kraus et al.
D779,919 S * 2/2017 Shargh D8/330
D781,130 S * 3/2017 Shargh D8/330
D783,384 S * 4/2017 Shargh D8/330

OTHER PUBLICATIONS

[No Author Listed] B1L and T1L Lock. Yale Home. 2 pages. <http://www.yalehome.com/en/yale/yalehome/residential/yale-real-living/b11-and-t11-lock> [last accessed May 30, 2017].
[No Author Listed] Coming in 2017 Linus™ Lock. Yale Home. 4 pages. <http://www.yalehome.com/en/yale/yalehome/residential/yale-linus/yale-linus> [last accessed May 30, 2017].
[No Author Listed] Yale nexTouch™ with ZigBee or Z-Wave. Yale Home. 5 pages. <http://www.yalehome.com/en/yale/yalehome/resi->

[dential/small-business-solutions/yale-nextouch-for-small-business](http://www.yalehome.com/en/yale/yalehome/residential/small-business-solutions/yale-nextouch-for-small-business) [last accessed May 30, 2017].

[No Author Listed] Yale Real Living® Key Free Deadbolt (YRD240). Yale Home. 4 pages. <http://www.yalehome.com/en/yale/yalehome/residential/yale-real-living/key-free-deadbolt> [last accessed May 30, 2017].

[No Author Listed] Yale Real Living® Push Button Deadbolt (YRD210). Yale Home. 3 pages. <http://www.yalehome.com/en/yale/yalehome/residential/yale-real-living/push-button-deadbolt> [last accessed May 30, 2017].

[No Author Listed] Yale Real Living® Touchscreen Deadbolt (YRD220). Yale Home. 3 pages. <http://www.yalehome.com/en/yale/yalehome/residential/yale-real-living/touchscreen-deadbolt> [last accessed May 30, 2017].

U.S. Appl. No. 29/599,188, filed Mar. 31, 2017, Morstatt.

U.S. Appl. No. 29/599,209, filed Mar. 31, 2017, Morstatt.

* cited by examiner

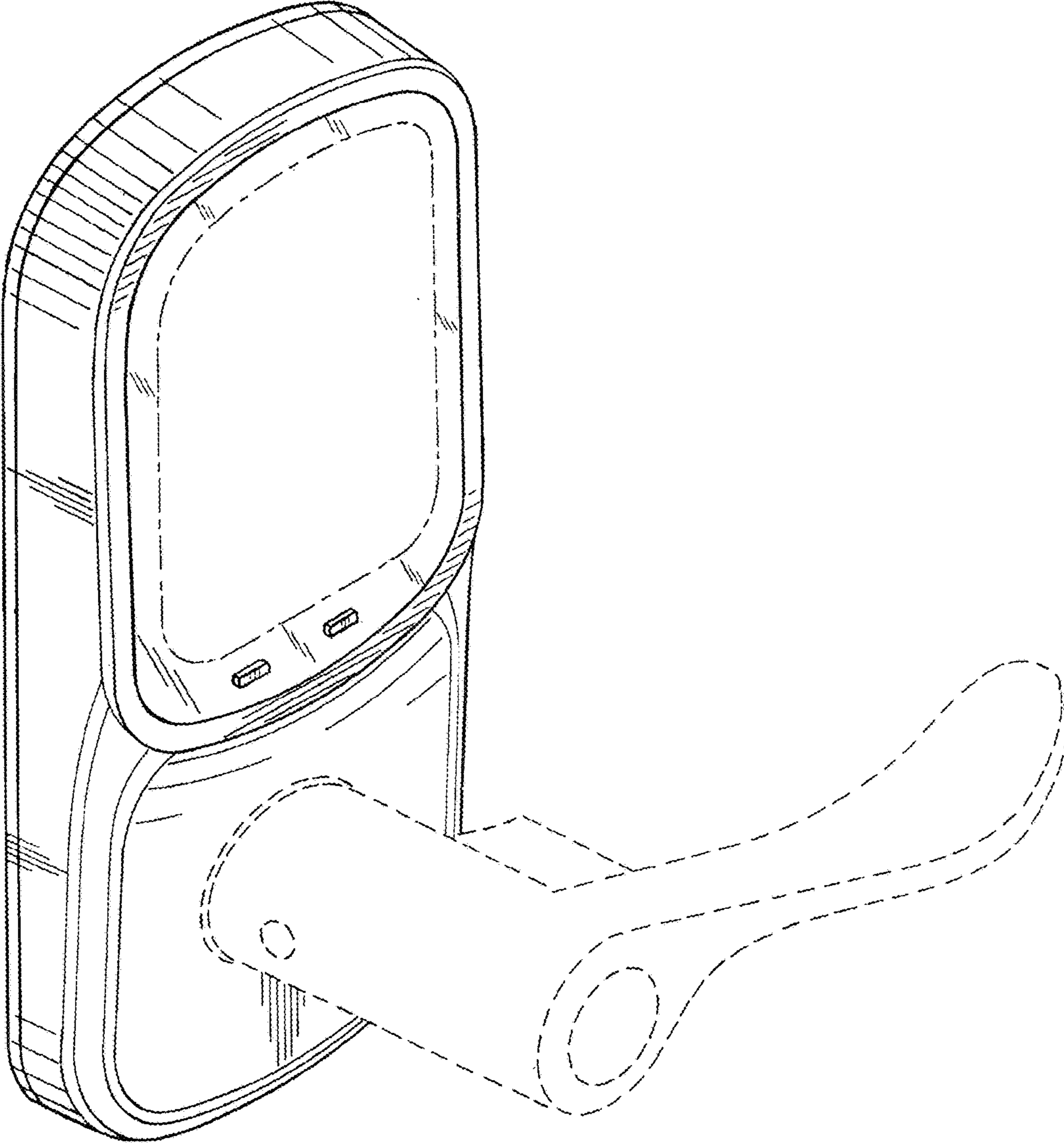


Fig. 1

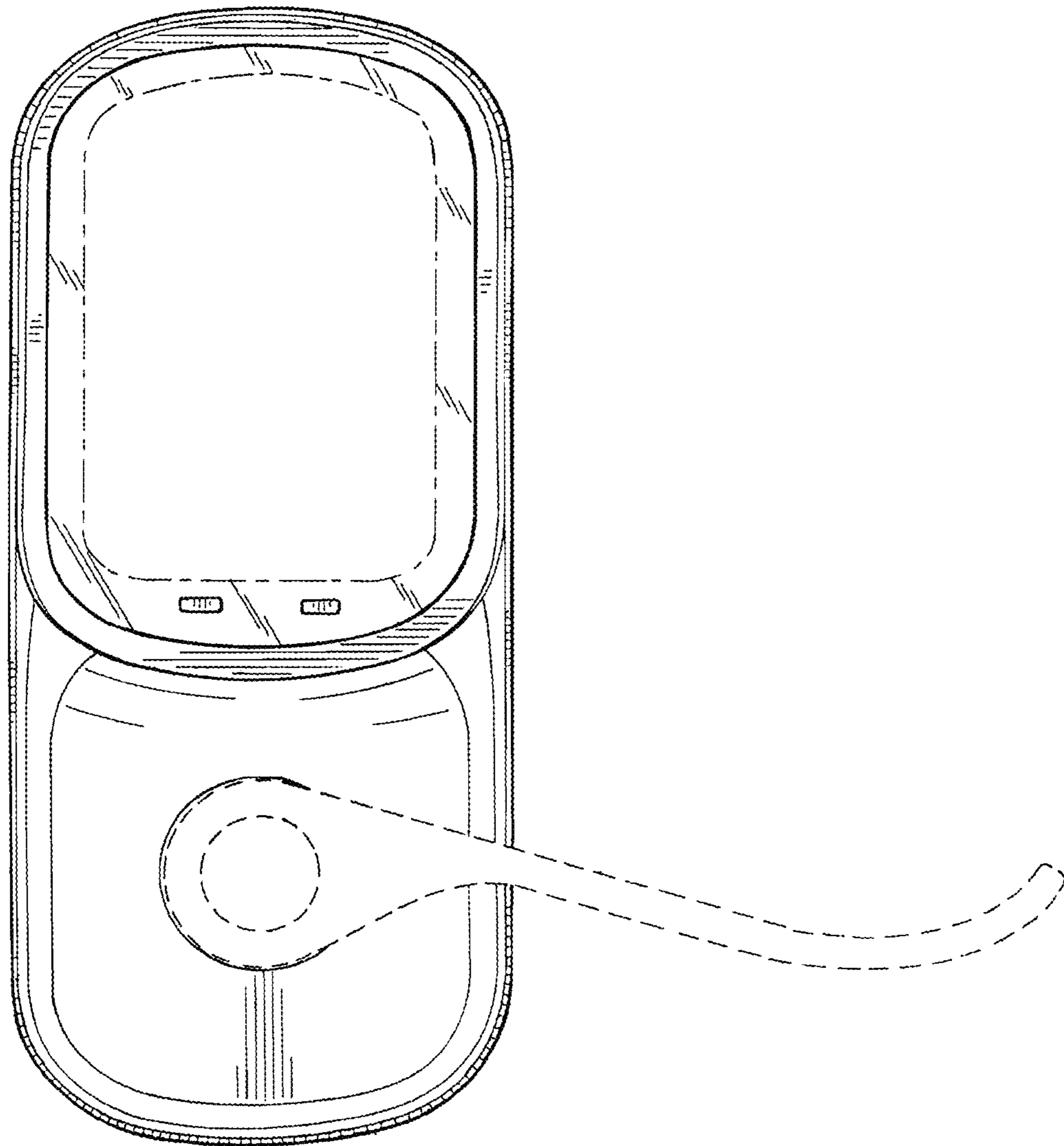


Fig. 2

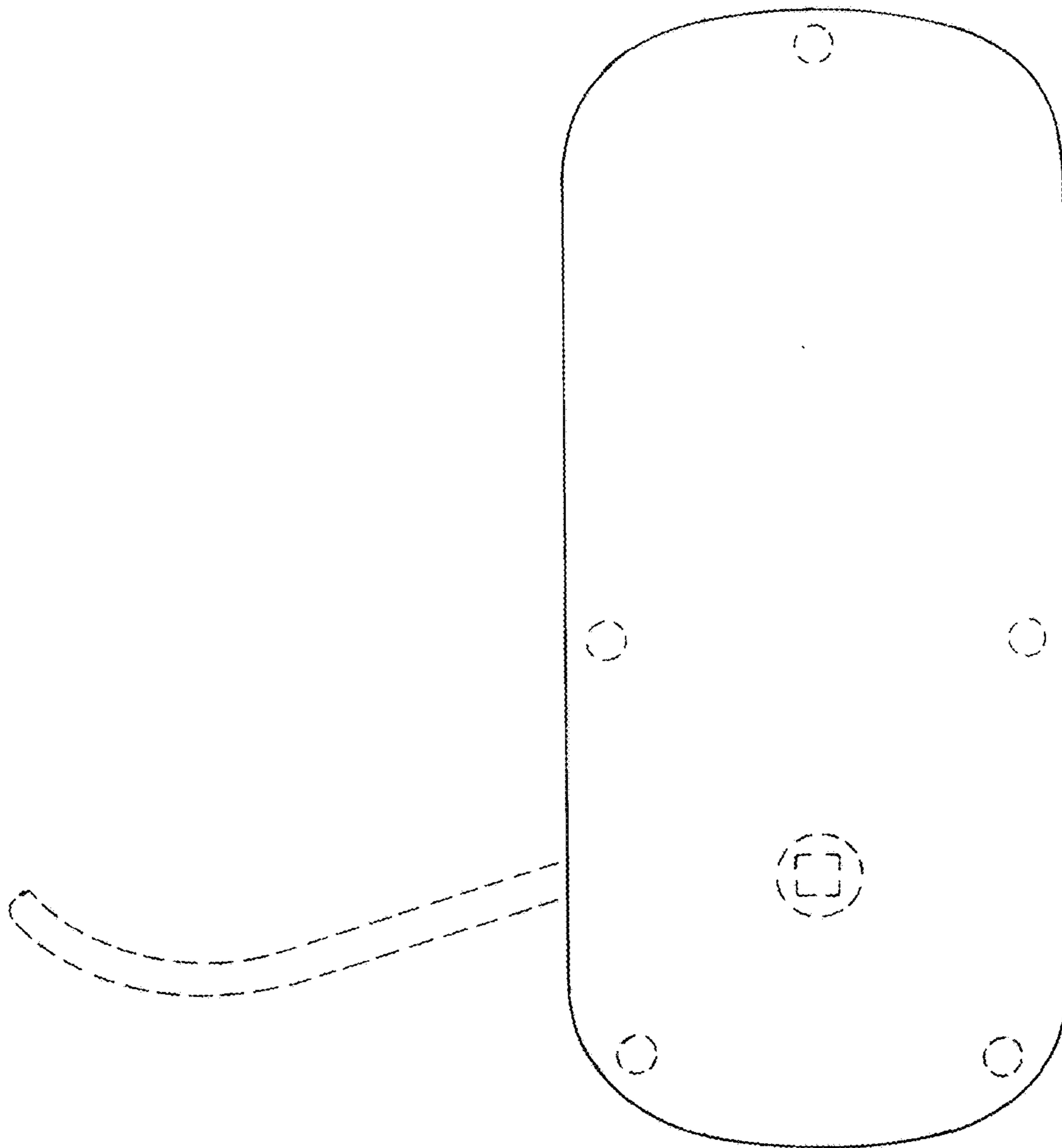


Fig. 3

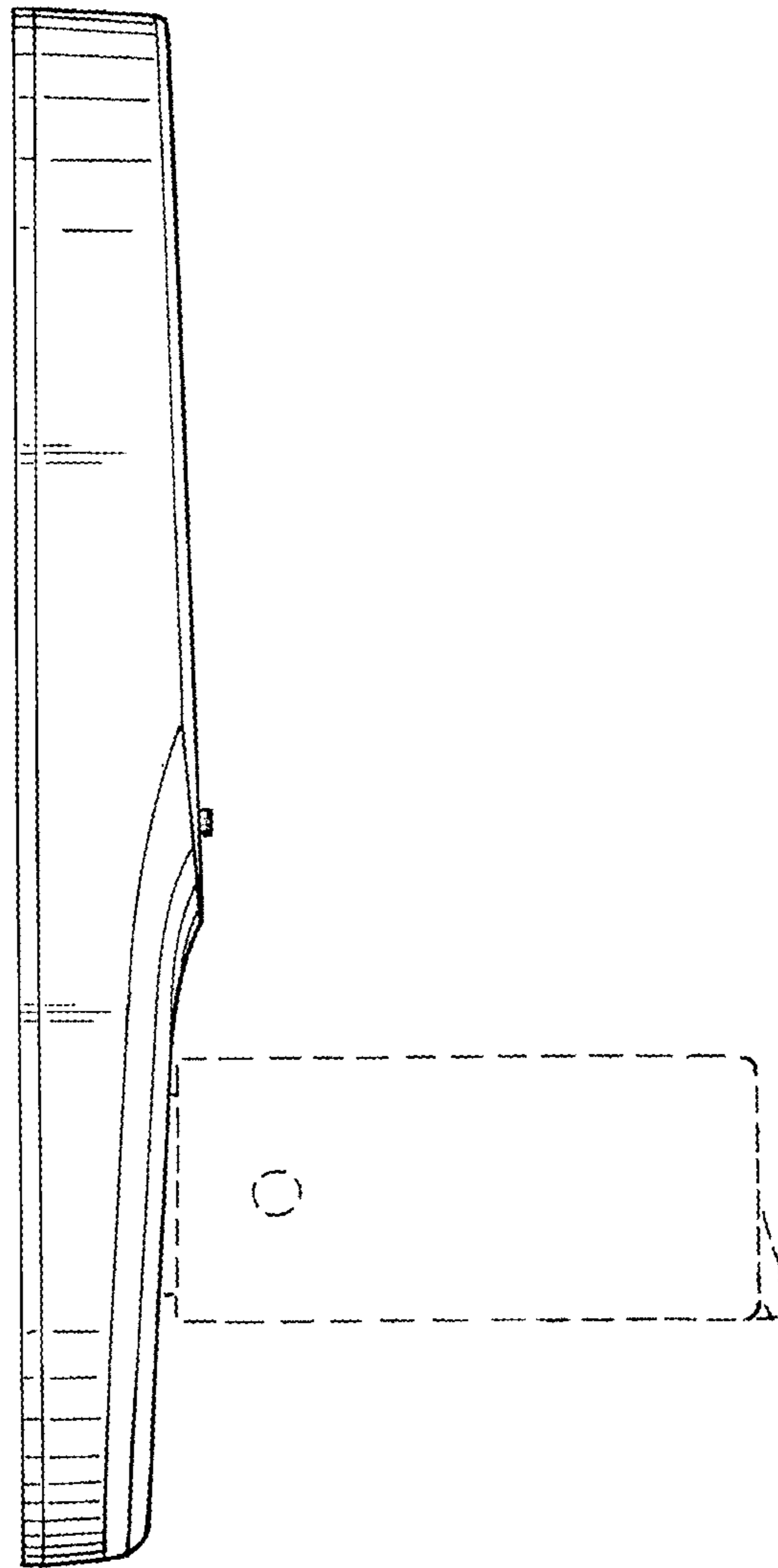


Fig. 4

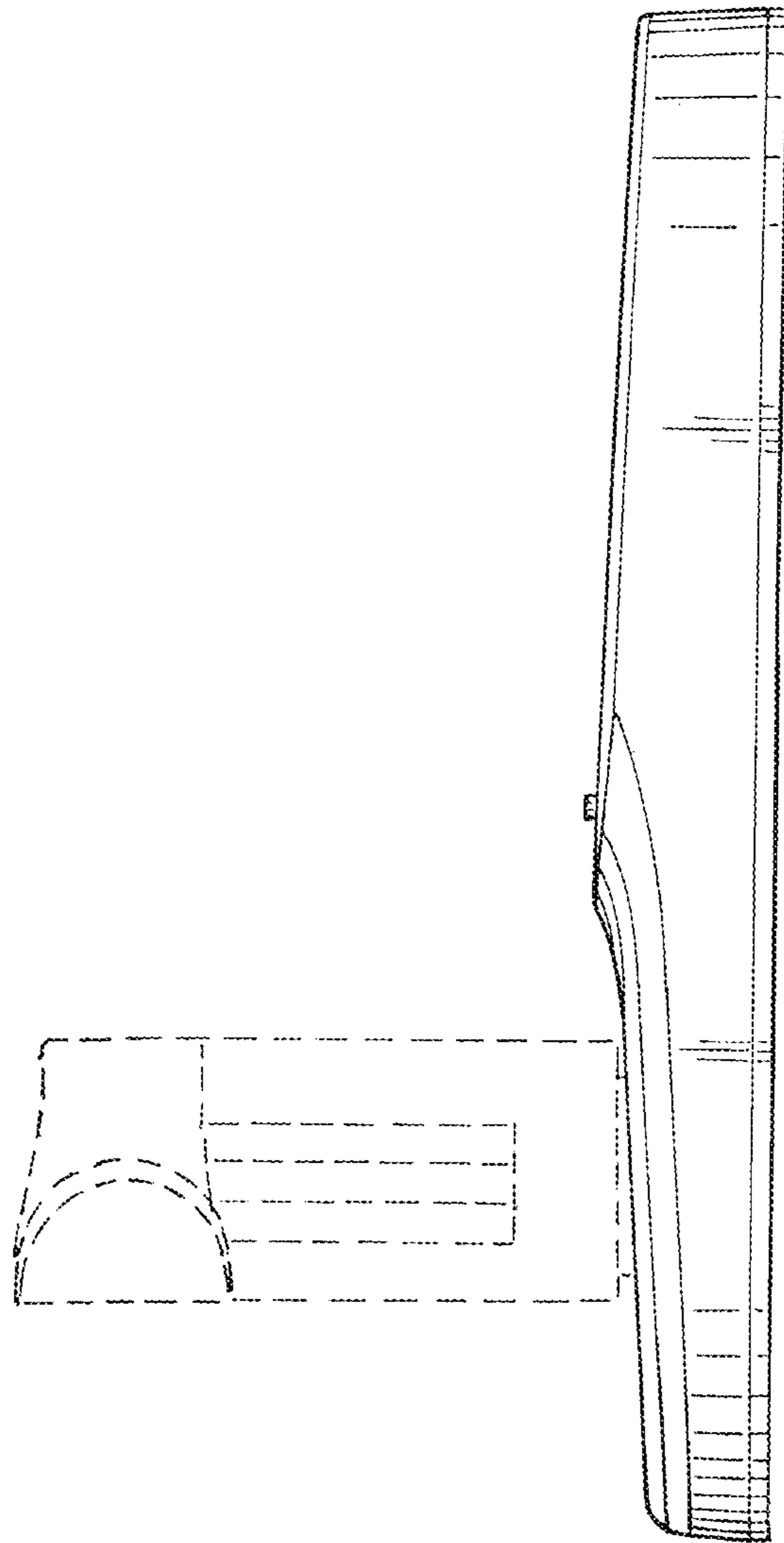


Fig. 5

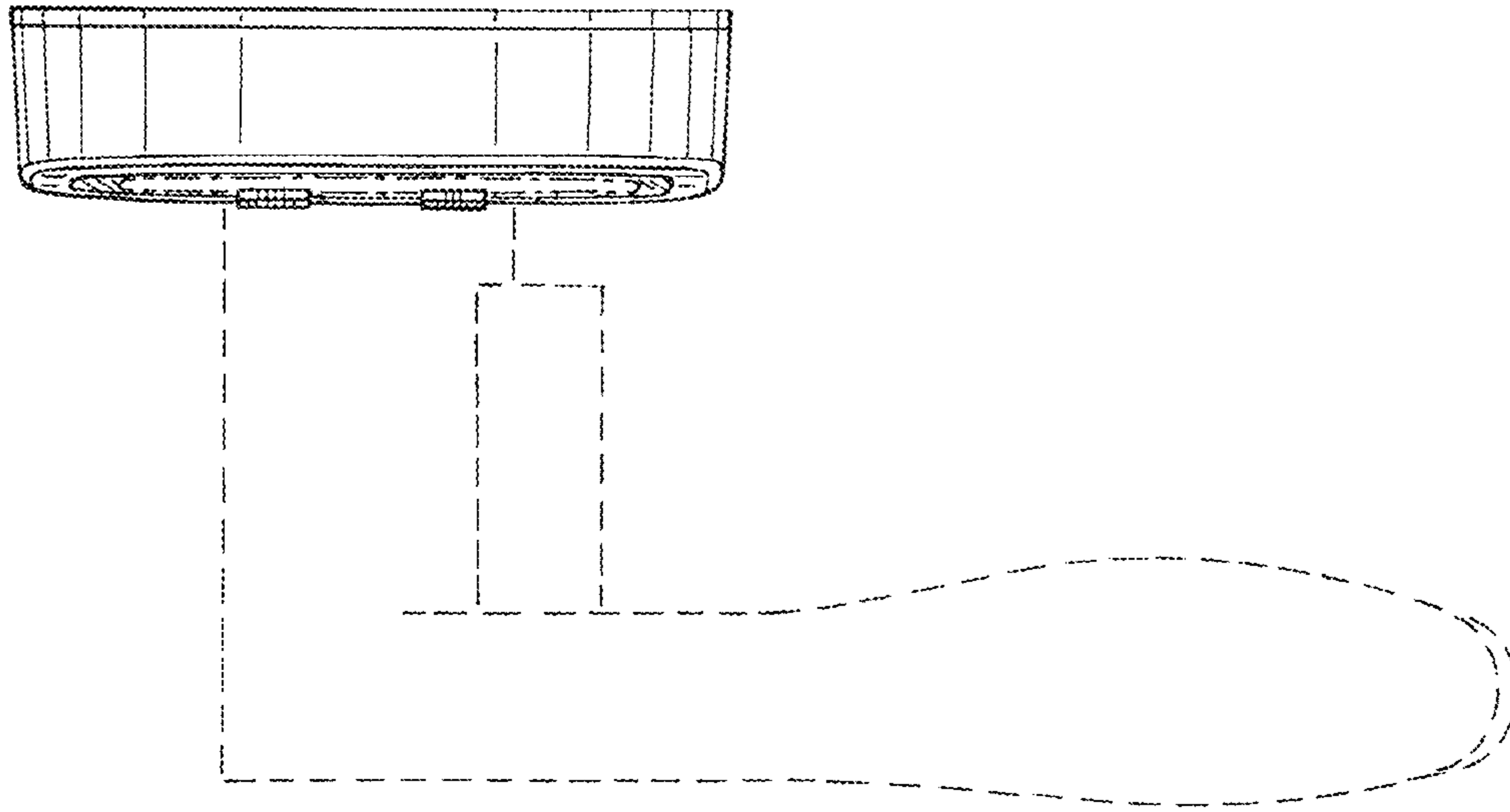


Fig. 6

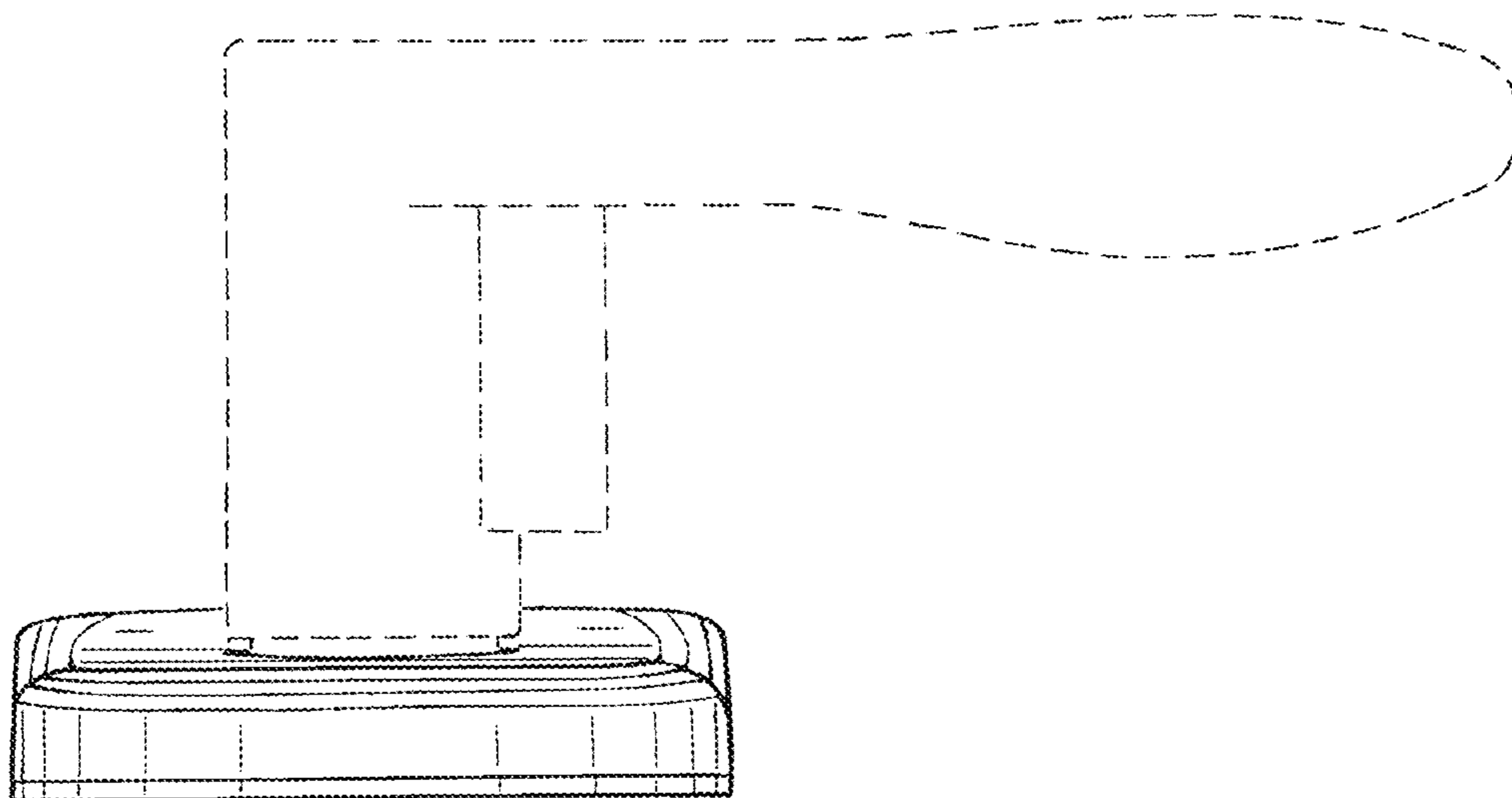


Fig. 7

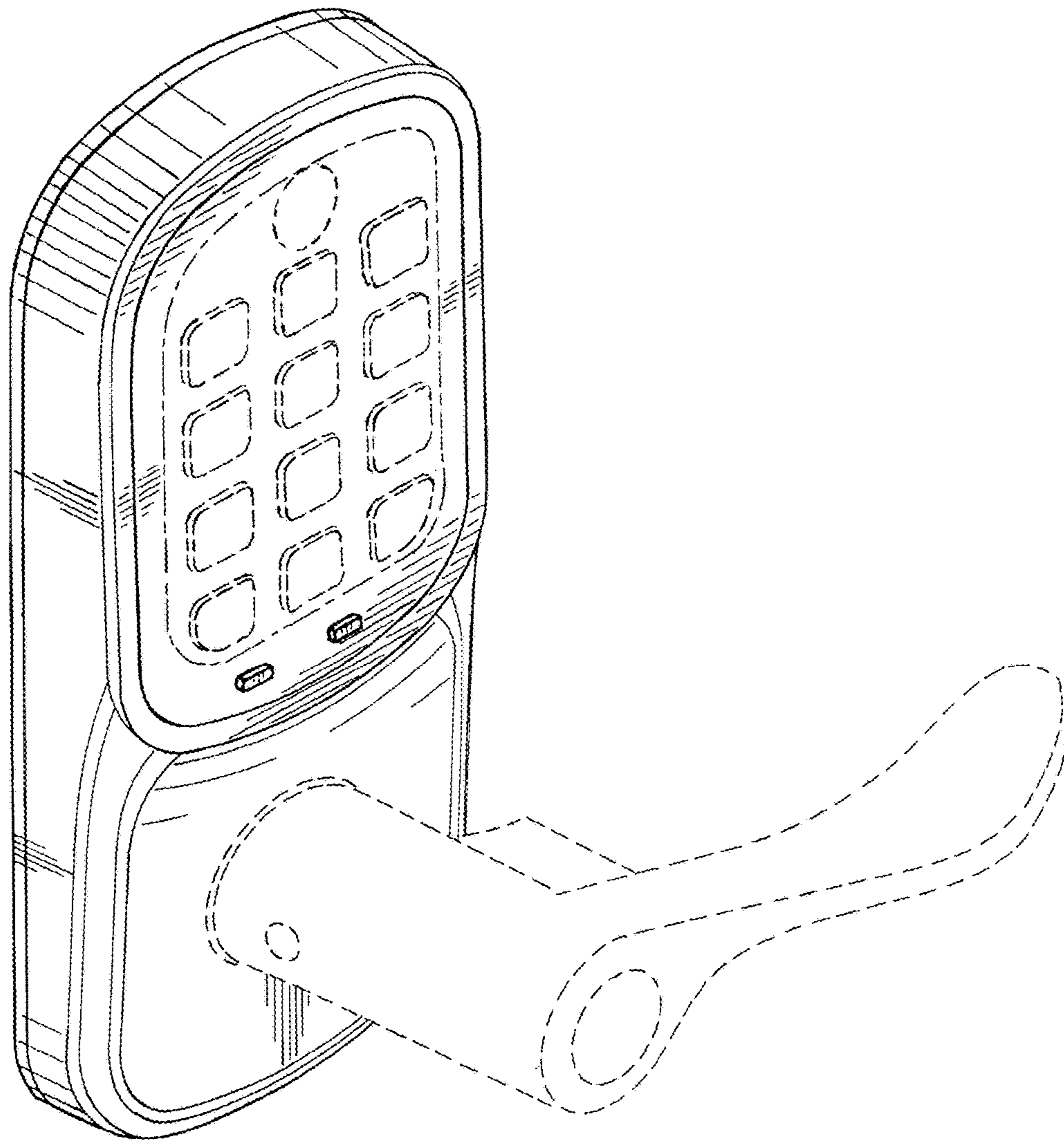


Fig. 8

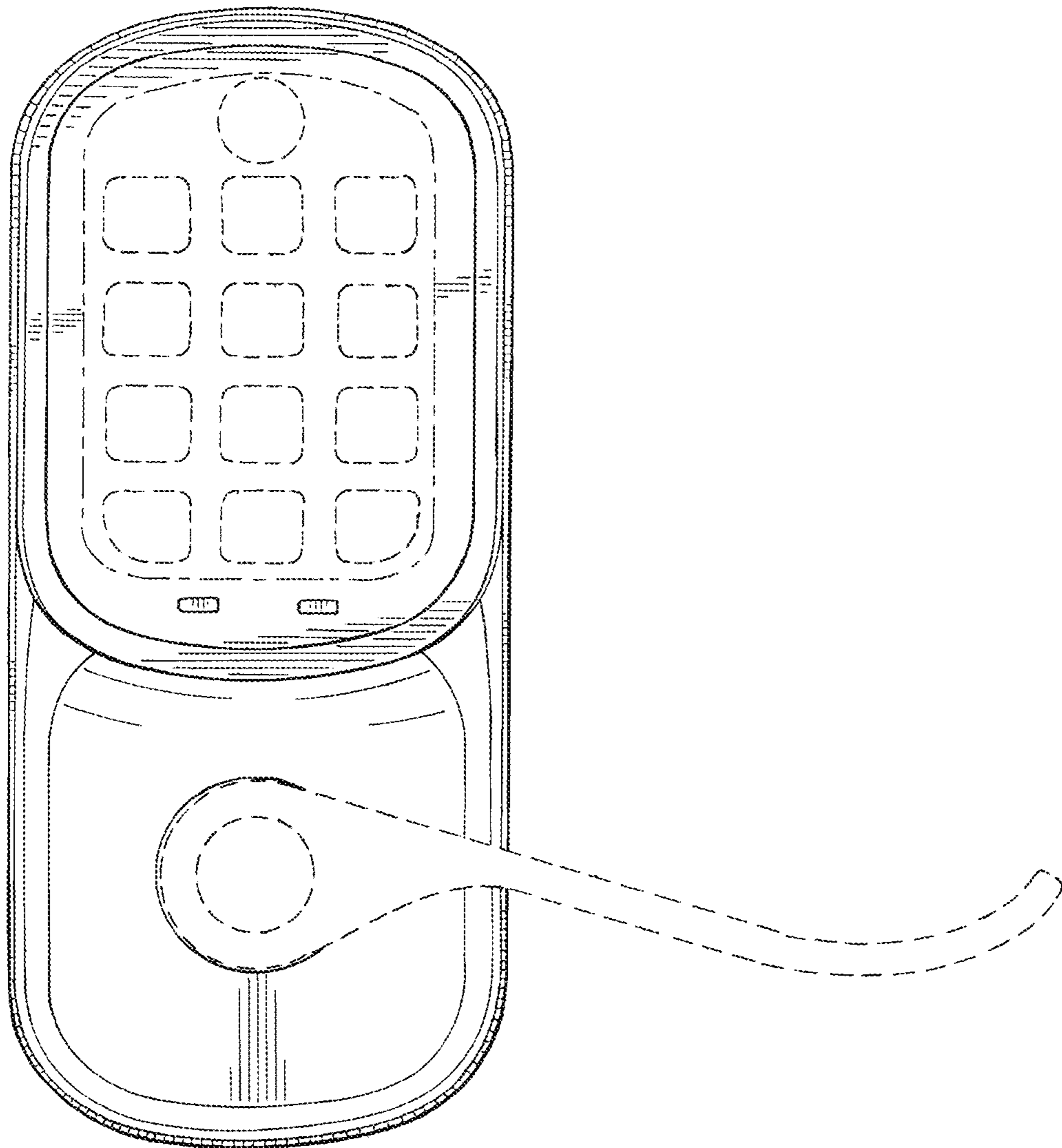


Fig. 9

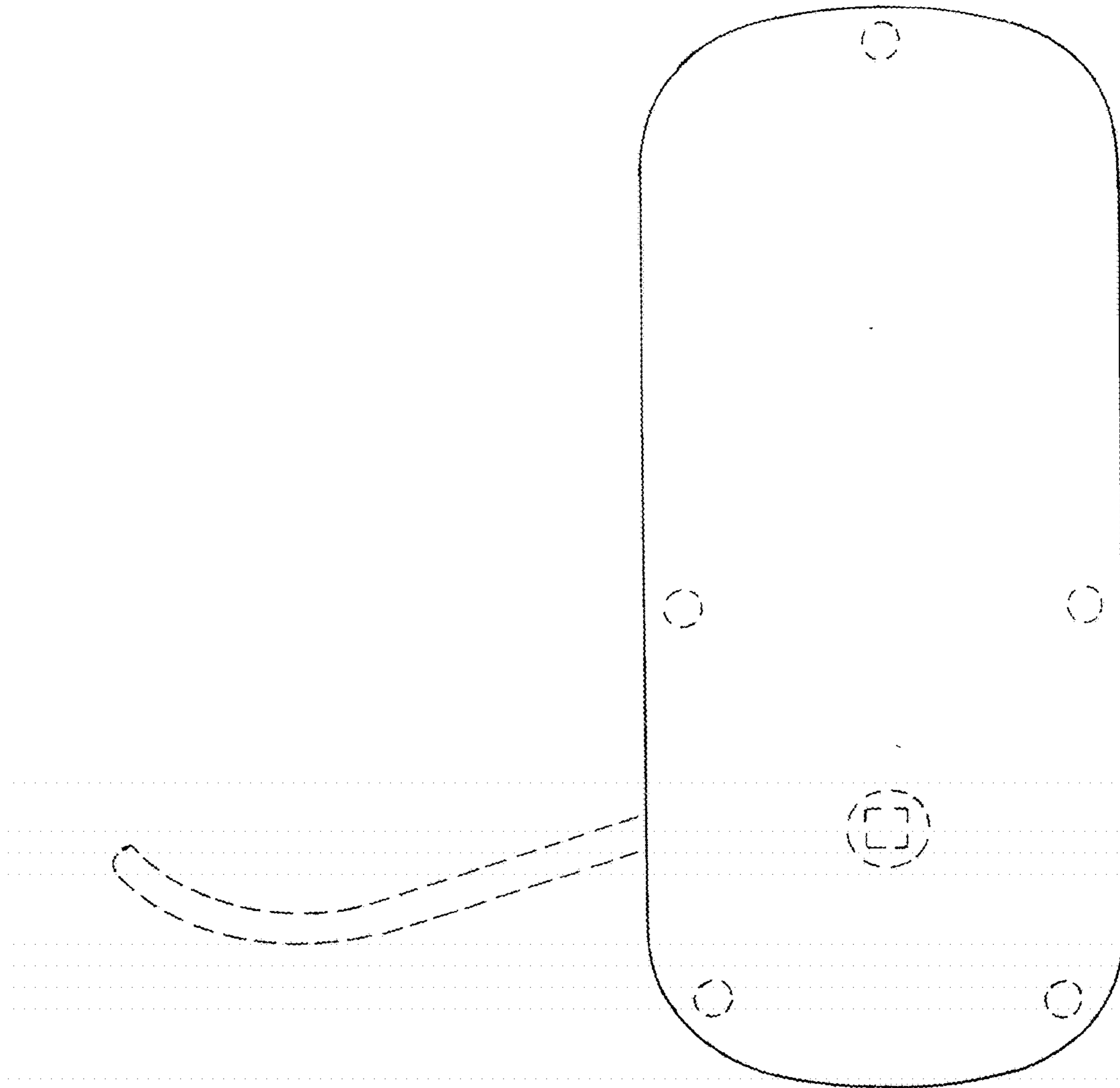


Fig. 10

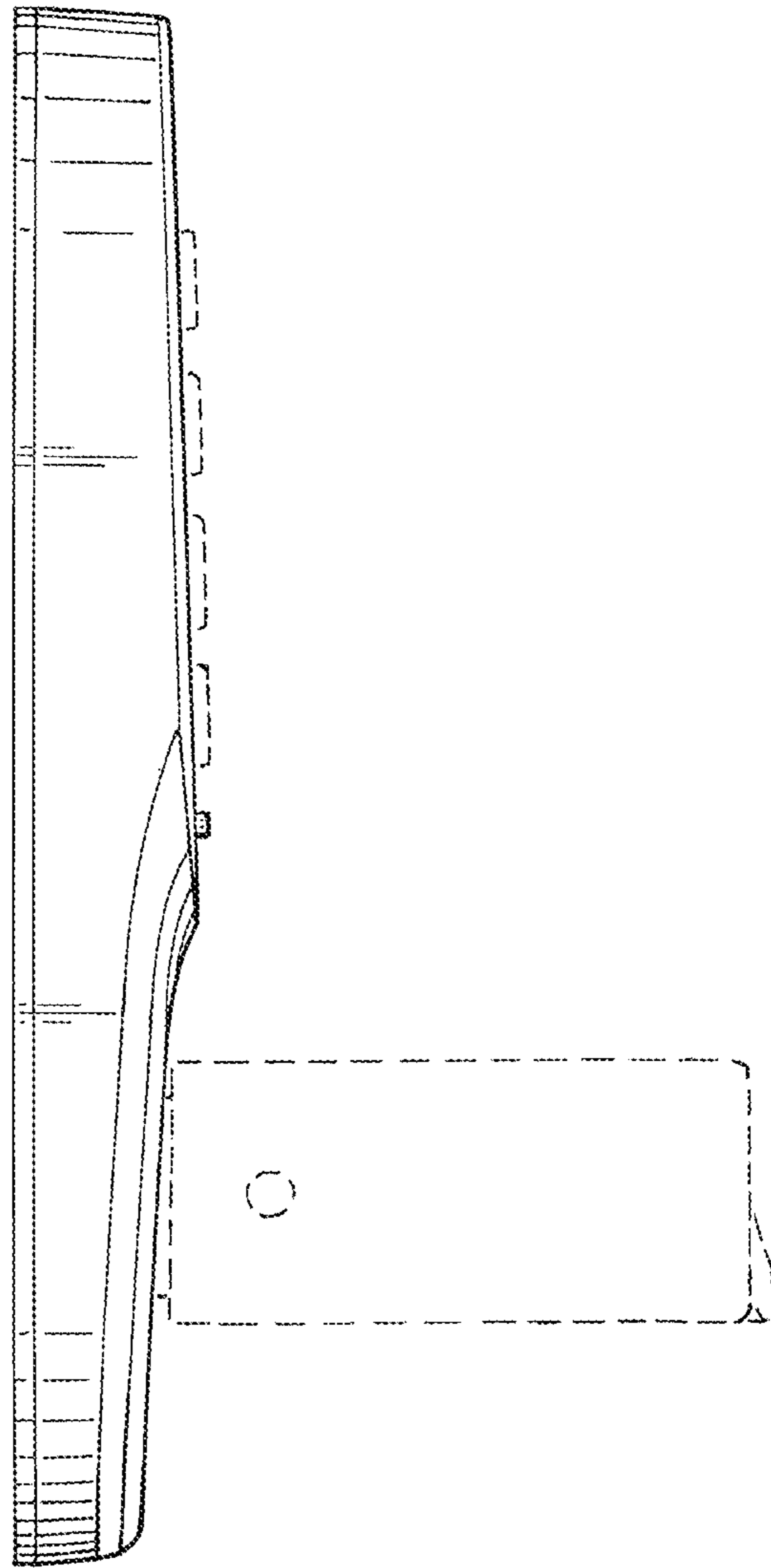


Fig. 11

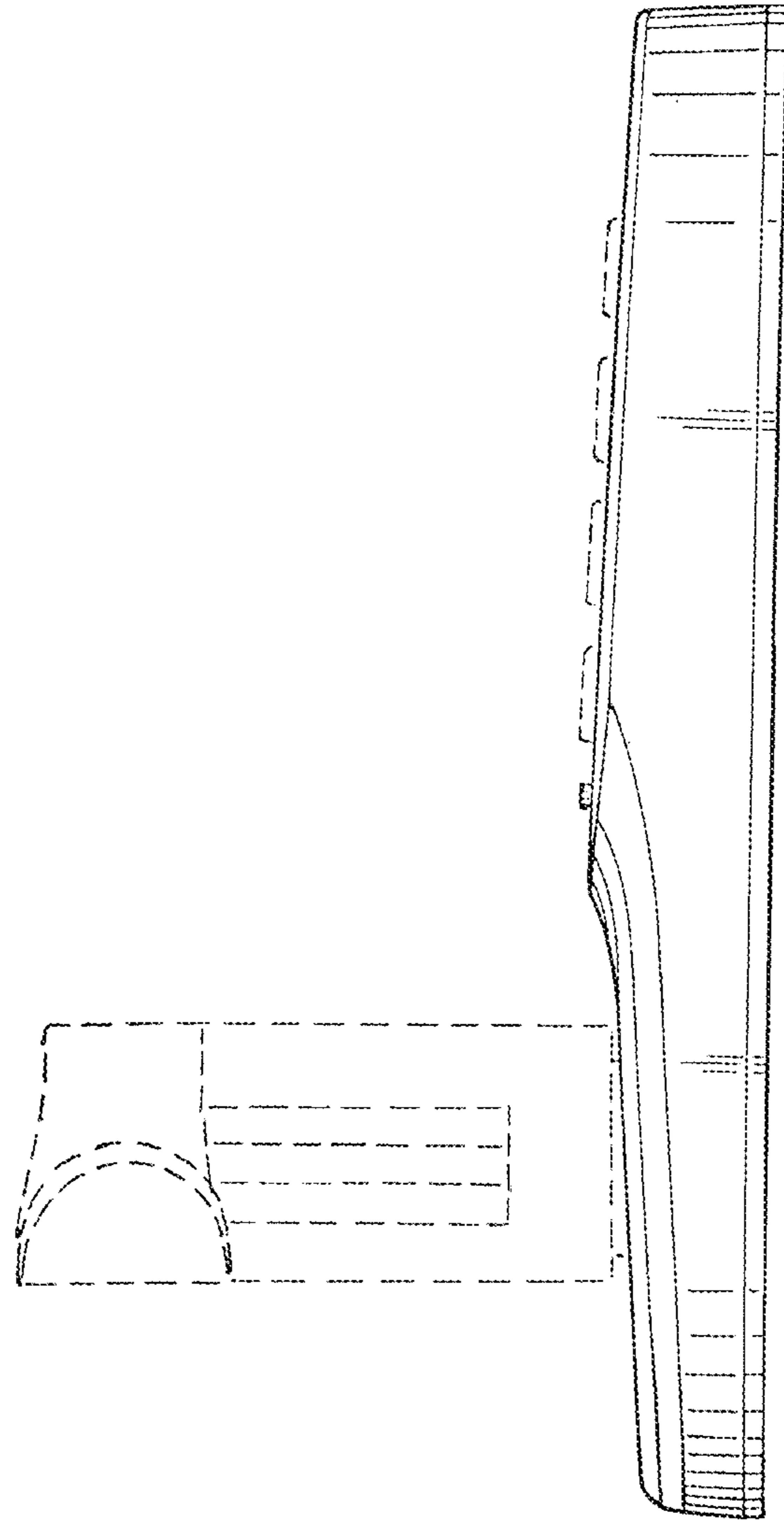


Fig. 12

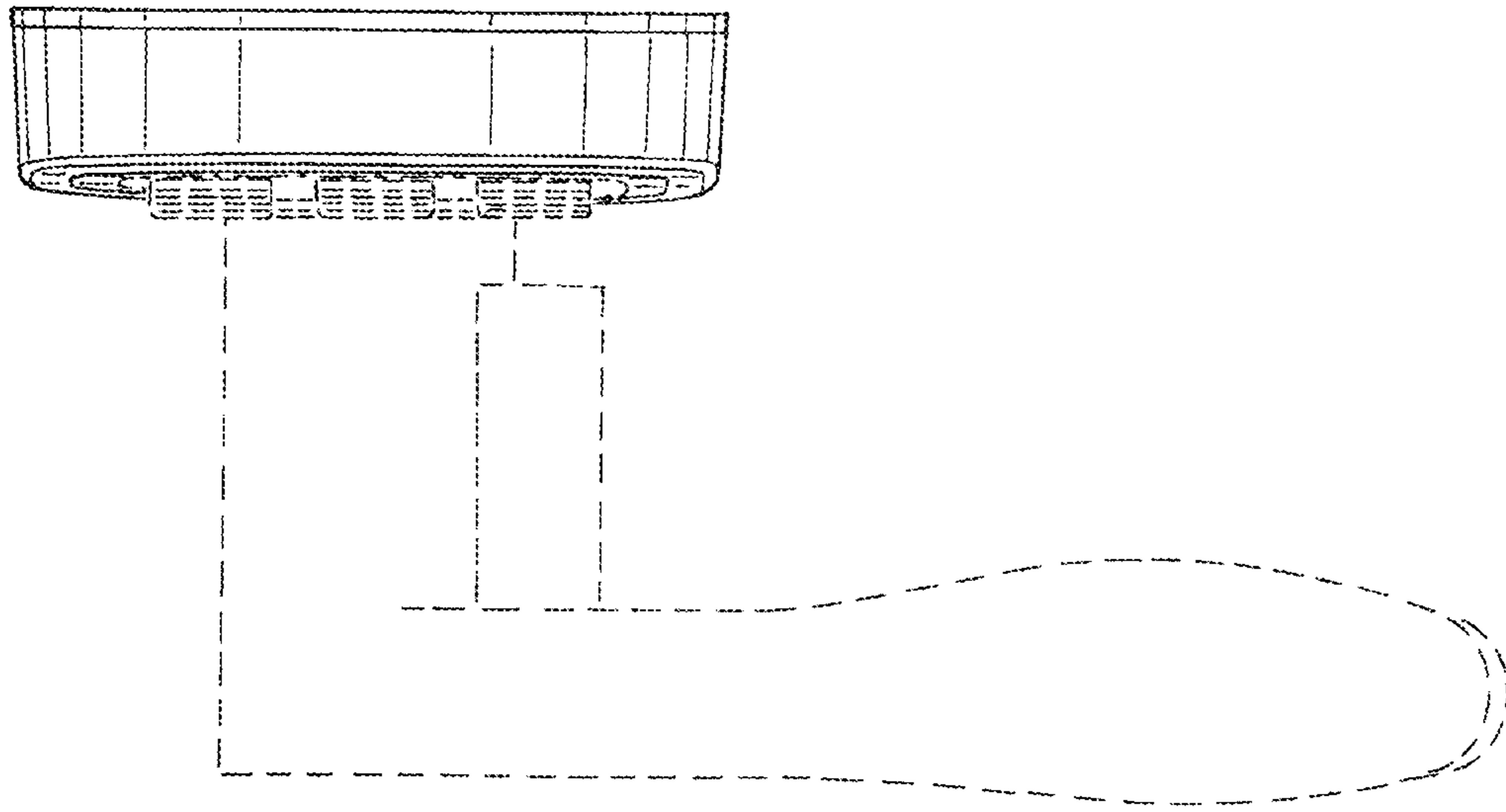


Fig. 13

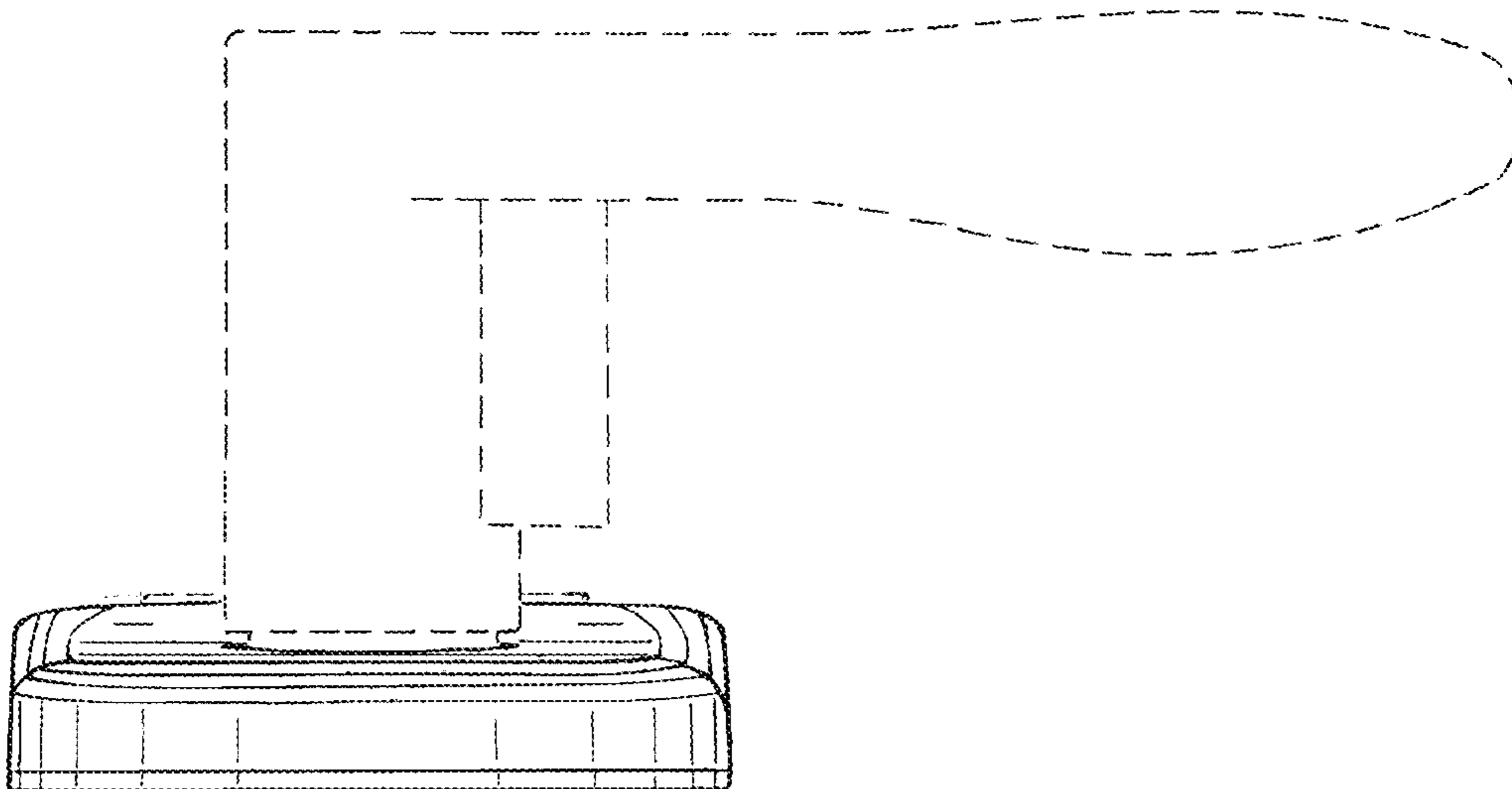


Fig. 14