



US00D818792S

(12) **United States Design Patent** (10) **Patent No.:** **US D818,792 S**
Ponticelli, Sr. et al. (45) **Date of Patent:** **** May 29, 2018**

(54) **BUNG CAP LOCK** 4,254,888 A 3/1981 Chandler
4,405,161 A * 9/1983 Young E21B 33/03
137/382

(71) Applicant: **Container Security Solutions, LLC,** 4,426,863 A 1/1984 Gillette et al.
Romeo, MI (US) 4,541,256 A * 9/1985 Green F16B 41/005
16/386

(72) Inventors: **Robert Ponticelli, Sr.,** Thousand Oaks, 4,592,218 A 6/1986 Chechovsky et al.
CA (US); **Robert Ponticelli, Jr.,** 4,788,840 A 12/1988 Wilson, Jr.
Oxnard, CA (US) 4,798,069 A * 1/1989 DeForrest, Sr. E05B 17/142
70/211

(73) Assignee: **CONTAINER SECURITY** 4,959,980 A 10/1990 Phillips
SOLUTIONS, LLC, Romeo, MI (US) 5,033,280 A 7/1991 Johnson
5,199,286 A 4/1993 Jakubas
D349,034 S * 7/1994 Webster D8/333
5,363,677 A * 11/1994 Cox B60R 25/02
70/18

(**) Term: **15 Years**

(21) Appl. No.: **29/594,997** 5,596,892 A 1/1997 Edgar et al.
D389,442 S * 1/1998 Kantor D12/162
5,826,447 A * 10/1998 Campbell B65D 55/06
292/307 A

(22) Filed: **Feb. 24, 2017**

(51) **LOC (11) Cl.** **08-07**

(52) **U.S. Cl.**
USPC **D8/330; D8/343**

(58) **Field of Classification Search**
USPC D8/330, 336, 343-346, 382, 383;
70/174-179, 158, 163, 154, 252, 299,
70/DIG. 56, DIG. 59, 230, 232, 242, 244;
292/2, 256, 337, 340, 341, 14, 345
CPC .. F16B 1/00; F16B 41/00; F16B 41/02; F16K
35/06; E05B 65/00
See application file for complete search history.

(56) **References Cited**
U.S. PATENT DOCUMENTS

1,599,685 A 9/1926 Spaeth
1,794,386 A 3/1931 Miller
1,806,124 A 5/1931 Smith
1,814,343 A 7/1931 Smith
1,825,726 A 10/1931 Gredell
1,995,997 A 3/1935 Morris
3,245,240 A * 4/1966 De Forrest E05B 13/001
70/158
3,752,254 A * 8/1973 Carley B60R 16/04
180/68.5

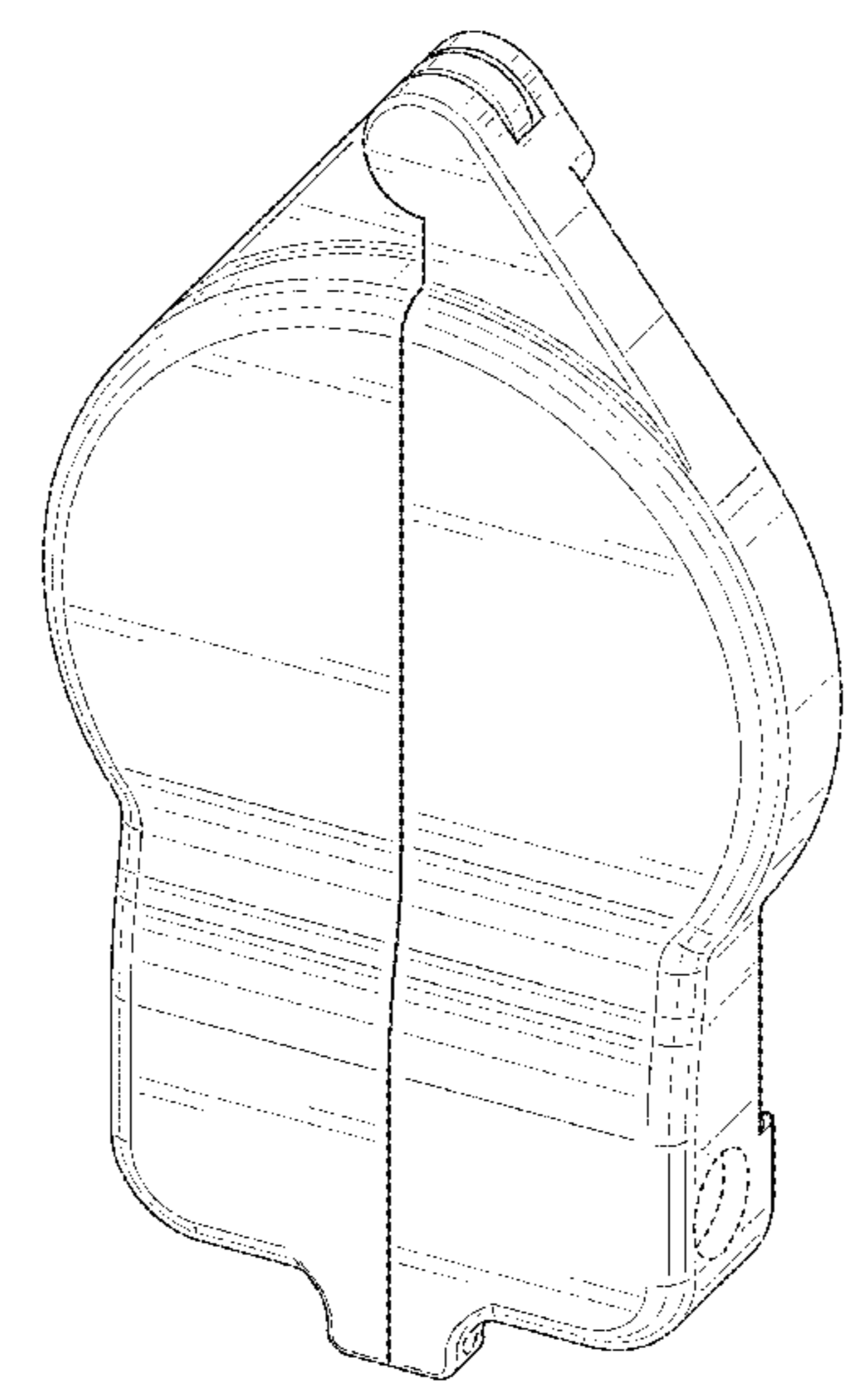
6,176,111 B1 1/2001 Lewis
(Continued)
Primary Examiner — Prabhakar G Deshmukh
(74) *Attorney, Agent, or Firm* — Lorenz & Kopf, LLP

(57) **CLAIM**
The ornamental design for a bung cap lock, as shown and described.

DESCRIPTION

FIG. 1 is a perspective view of a bung cap lock;
FIG. 2 is a top plan view of the bung cap lock;
FIG. 3 is a bottom plan view of the bung cap lock;
FIG. 4 is a left side view of the bung cap lock;
FIG. 5 is a right side view of the bung cap lock;
FIG. 6 is a front elevation view of the bung cap lock; and,
FIG. 7 is a rear elevation view of the bung cap lock.
The broken lines showing are for illustrative purposes only and form no part of the claimed design.

1 Claim, 5 Drawing Sheets



(56)

References Cited

U.S. PATENT DOCUMENTS

D454,051 S *	3/2002	Drake	D8/346
6,745,437 B2 *	6/2004	Gremillion, III	F16K 35/10 16/412
D652,708 S *	1/2012	Figureida	D8/343
D731,873 S	6/2015	Harder	
2009/0158791 A1	6/2009	Hudman et al.	
2009/0206050 A1	8/2009	Perry et al.	
2010/0050711 A1	3/2010	Davis	
2011/0048083 A1	3/2011	Adolph	
2012/0047973 A1	3/2012	Su et al.	
2012/0298661 A1	11/2012	Summers	
2013/0199252 A1	8/2013	Harder	

* cited by examiner

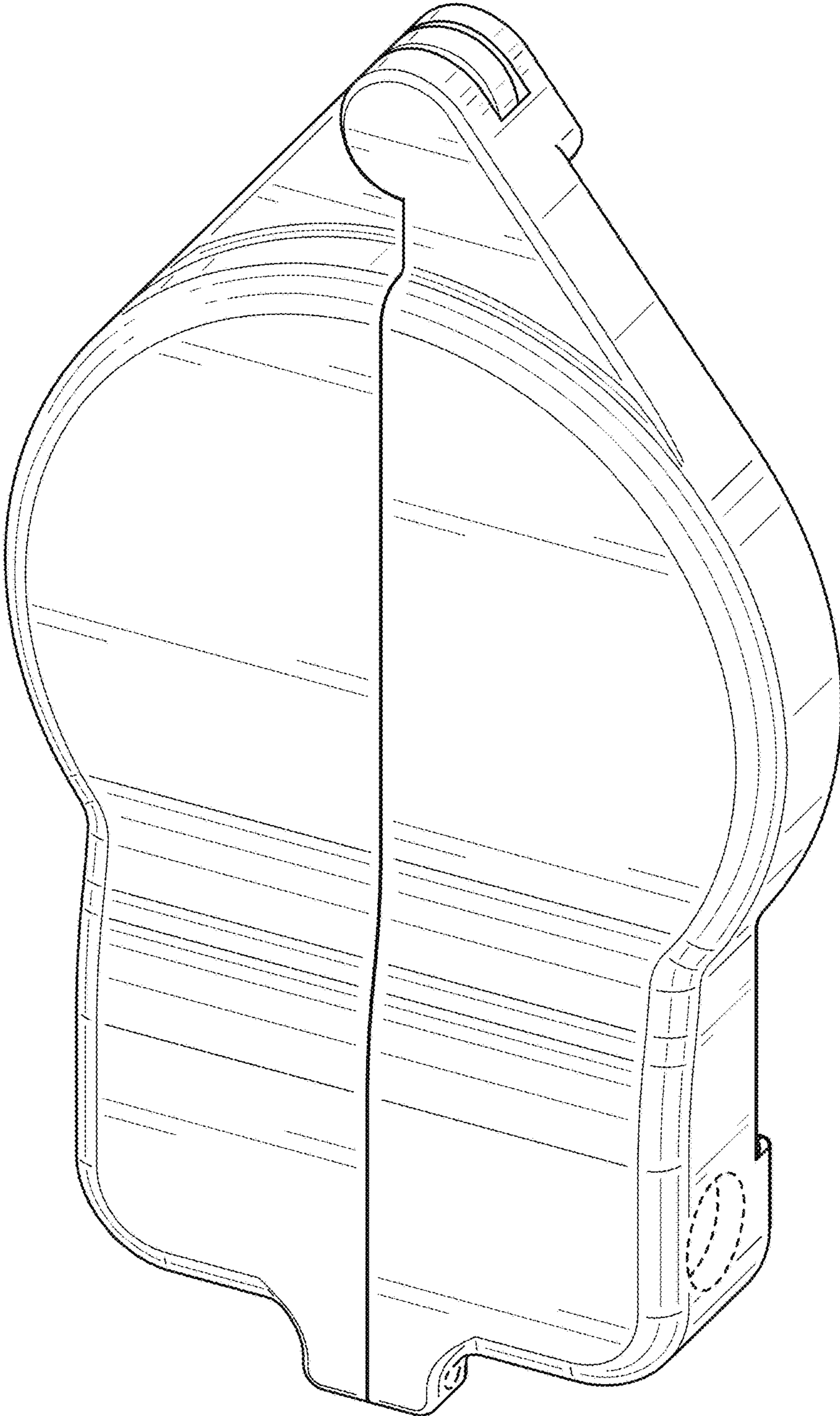


FIG. 1

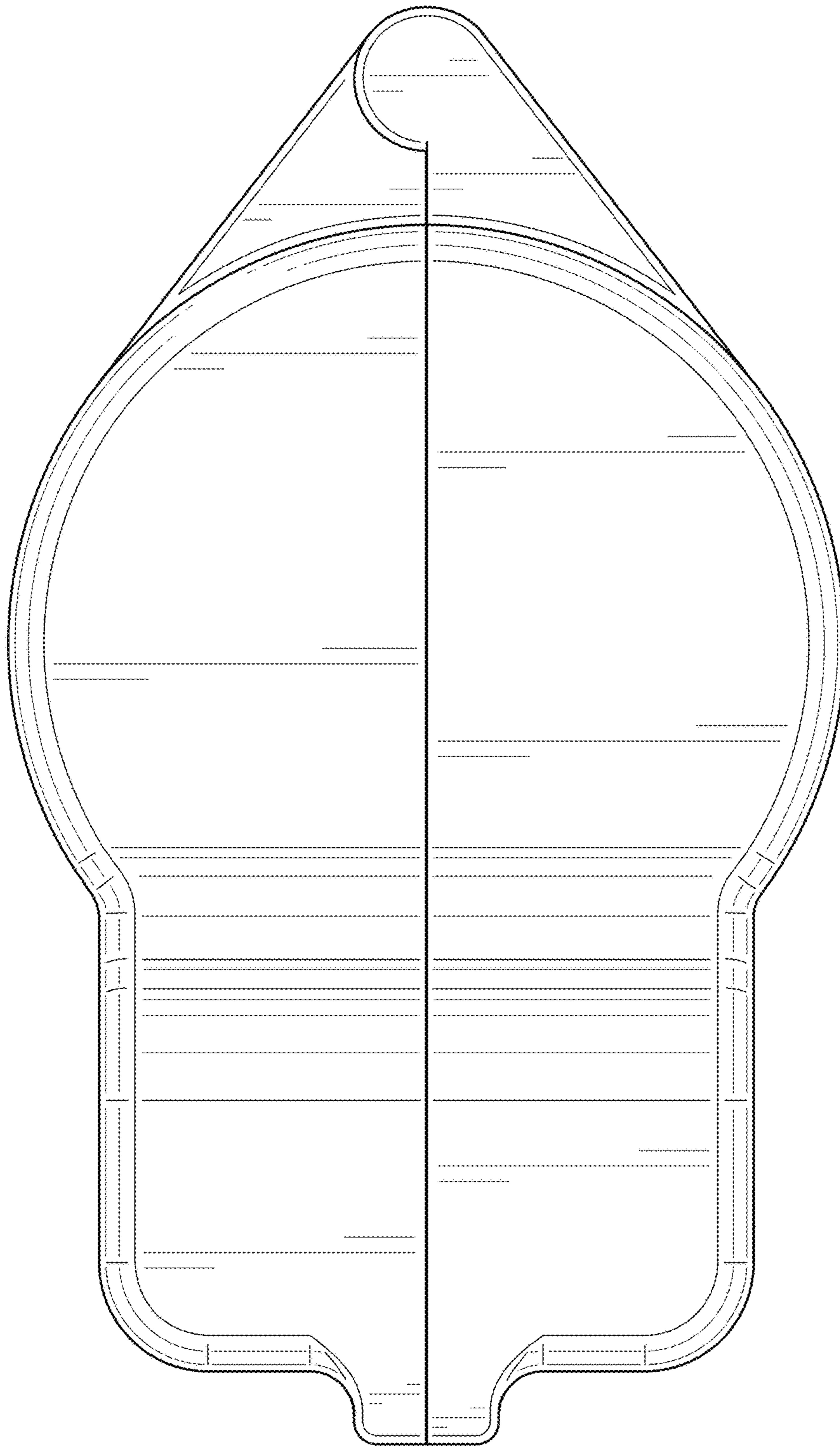


FIG. 2

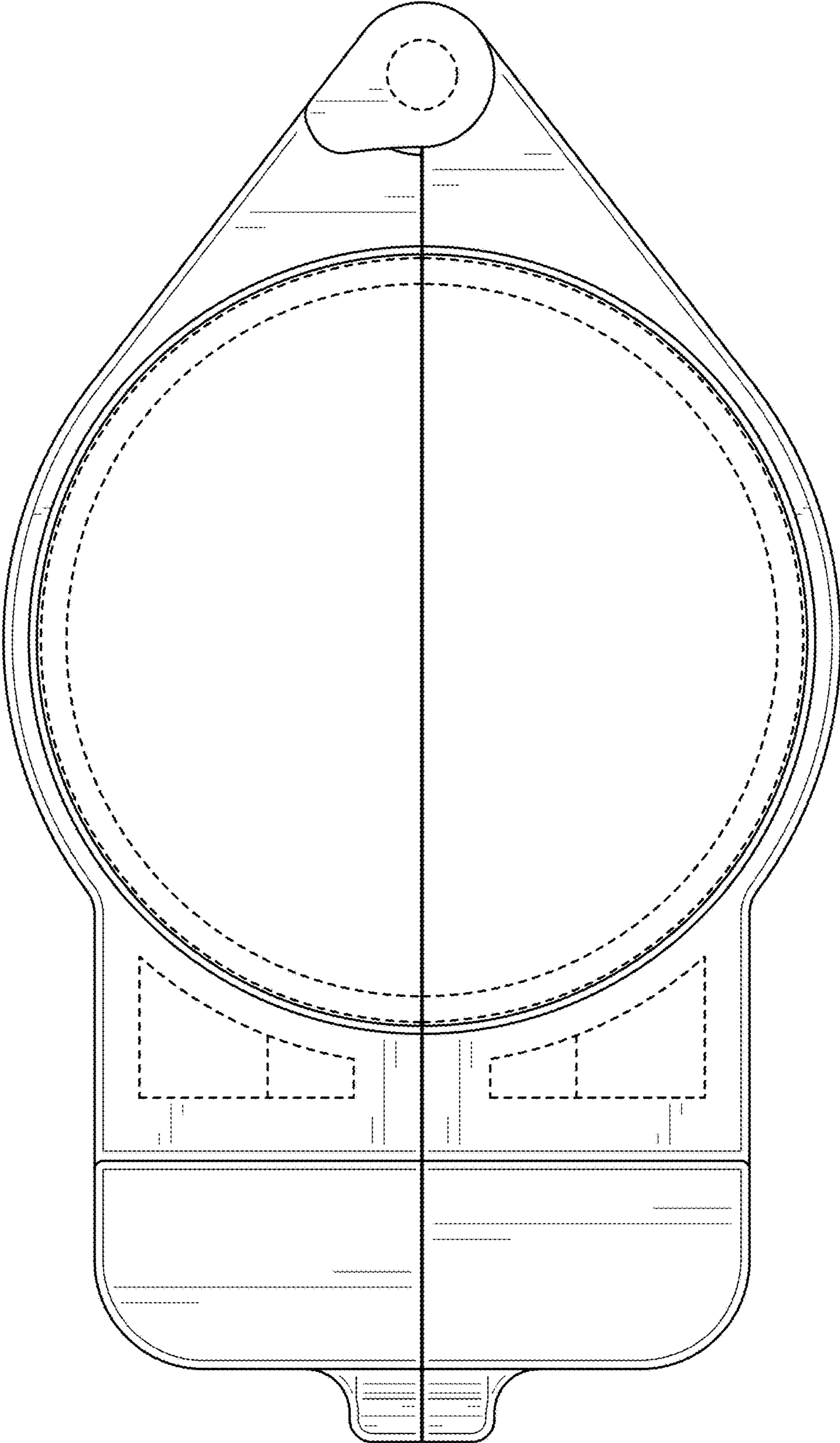


FIG. 3

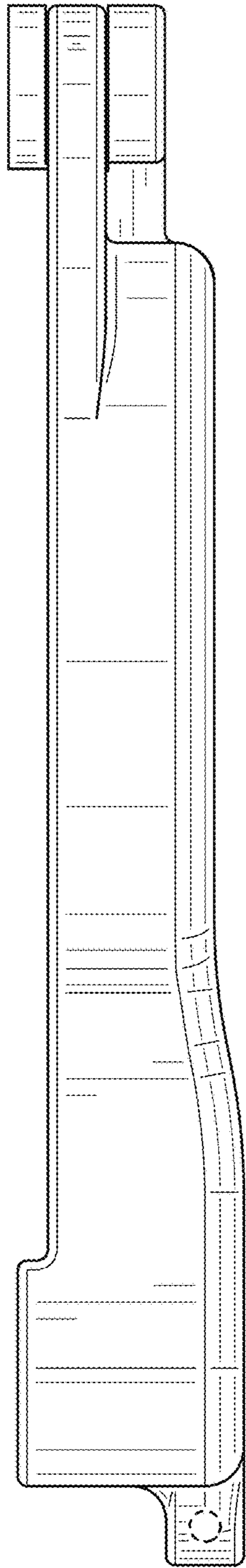


FIG. 4

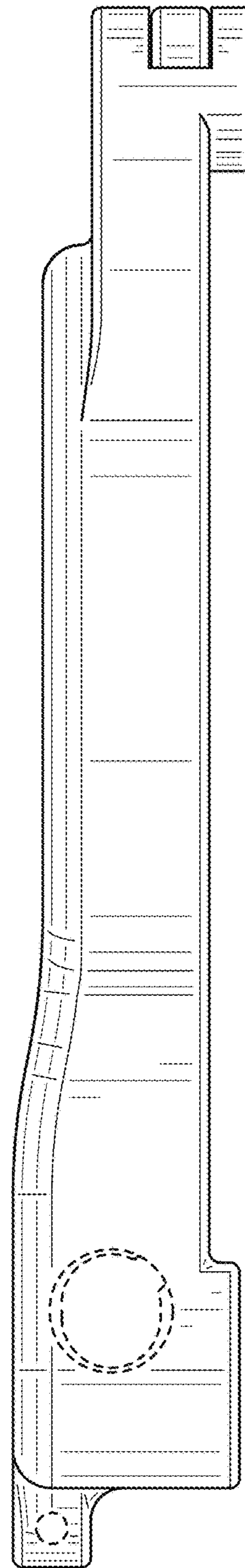


FIG. 5

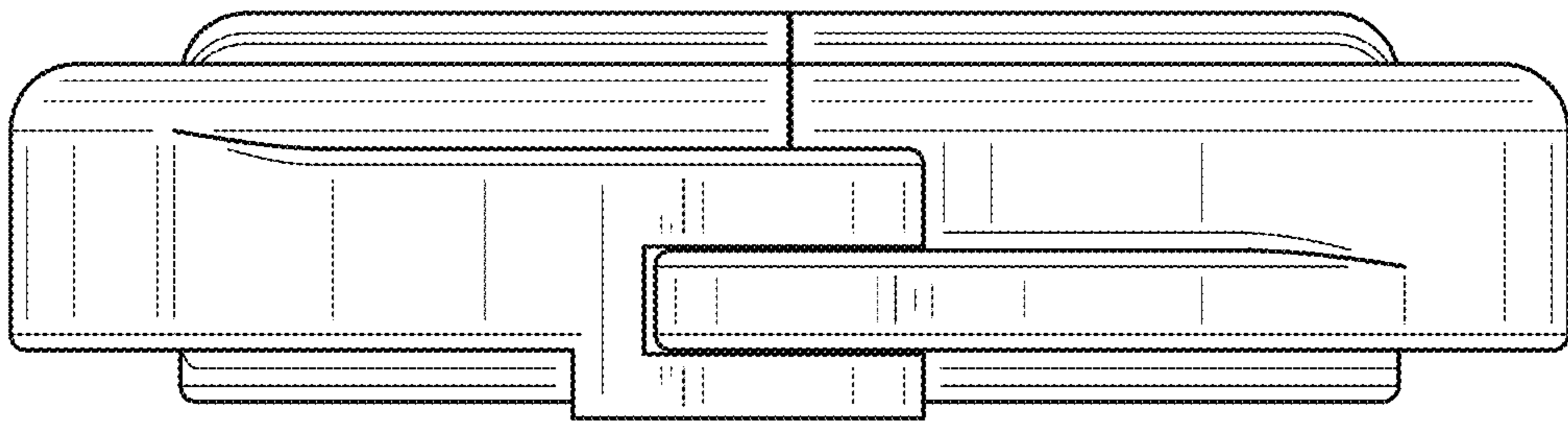


FIG. 6

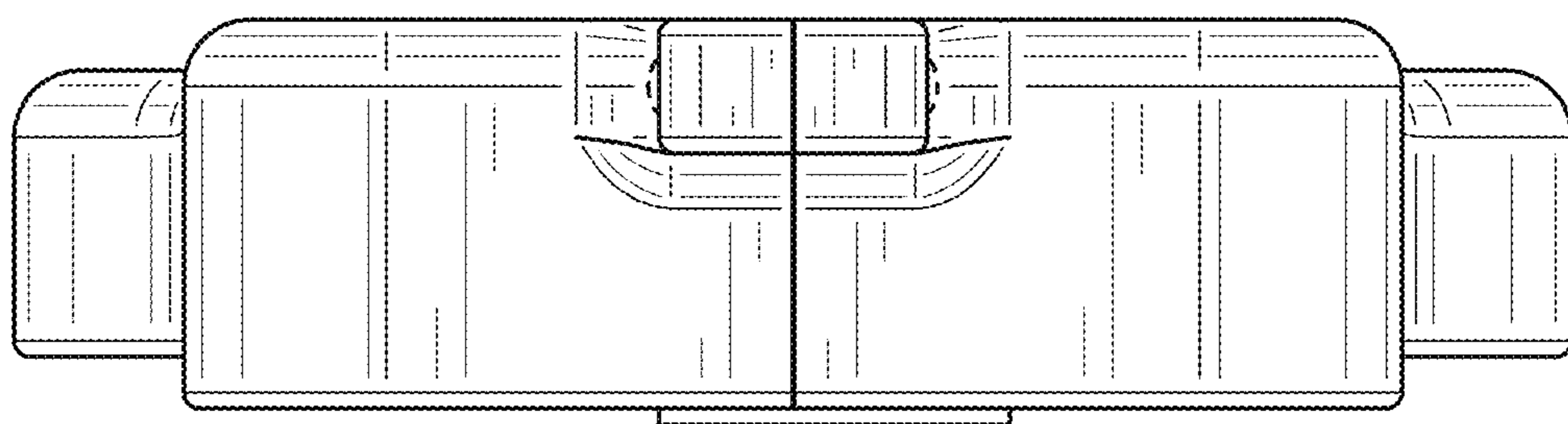


FIG. 7