



US00D818791S

(12) **United States Design Patent**  
**Yamaguchi**

(10) **Patent No.:** **US D818,791 S**

(45) **Date of Patent:** **\*\* May 29, 2018**

(54) **HINGE**  
(71) Applicant: **SUGATSUNE KOGYO CO., LTD.**,  
Chiyoda-ku, Tokyo (JP)  
(72) Inventor: **Koushi Yamaguchi**, Chiyoda-ku (JP)  
(73) Assignee: **SUGATSUNE KOGYO CO., LTD.**,  
Tokyo (JP)  
(\*\*) Term: **15 Years**

8,434,197 B2 \* 5/2013 Oshima ..... E05D 3/186  
16/241  
8,863,361 B2 \* 10/2014 Neukoetter ..... E05D 3/186  
16/366  
D745,363 S \* 12/2015 Polo Friz ..... D8/323  
9,822,564 B2 \* 11/2017 Dreisewerd ..... E05D 7/04

\* cited by examiner

*Primary Examiner* — Cynthia Underwood

(74) *Attorney, Agent, or Firm* — Masuvalley & Partners

(21) Appl. No.: **29/592,936**

(57) **CLAIM**

(22) Filed: **Feb. 3, 2017**

The ornamental design for a hinge, as shown and described.

(30) **Foreign Application Priority Data**

**DESCRIPTION**

Aug. 5, 2016 (JP) ..... 2016-016771

(51) **LOC (11) Cl.** ..... **08-06**

(52) **U.S. Cl.**  
USPC ..... **D8/323**

(58) **Field of Classification Search**  
USPC ..... D8/323, 325, 336, 327  
CPC ..... F16M 13/02; F16B 23/00; E05D 11/1014  
See application file for complete search history.

FIG. 1 is a perspective view of a hinge according to the invention;

FIG. 2 is a front elevation view of the hinge of FIG. 1;

FIG. 3 is a rear elevation view of the hinge of FIG. 1;

FIG. 4 is a top plan view of the hinge of FIG. 1;

FIG. 5 is a bottom plan view of the hinge of FIG. 1;

FIG. 6 is a right side elevation view of the hinge of FIG. 1;

FIG. 7 is a left side elevation view of the hinge of FIG. 1;

and,

FIG. 8 is a perspective view of the hinge of FIG. 1, showing environment, where the hinge is attached to a side wall and a door.

The broken line showing of the hinge is for the purpose of illustrating portions of the hinge and/or environmental structure and forms no part of the claimed design.

(56) **References Cited**

**U.S. PATENT DOCUMENTS**

D632,945 S \* 2/2011 Oshima ..... D8/323  
D635,434 S \* 4/2011 Oshima ..... D8/323  
D658,032 S \* 4/2012 Oshima ..... D8/329  
8,196,265 B2 \* 6/2012 Neukoetter ..... E05D 3/186  
16/236

**1 Claim, 8 Drawing Sheets**

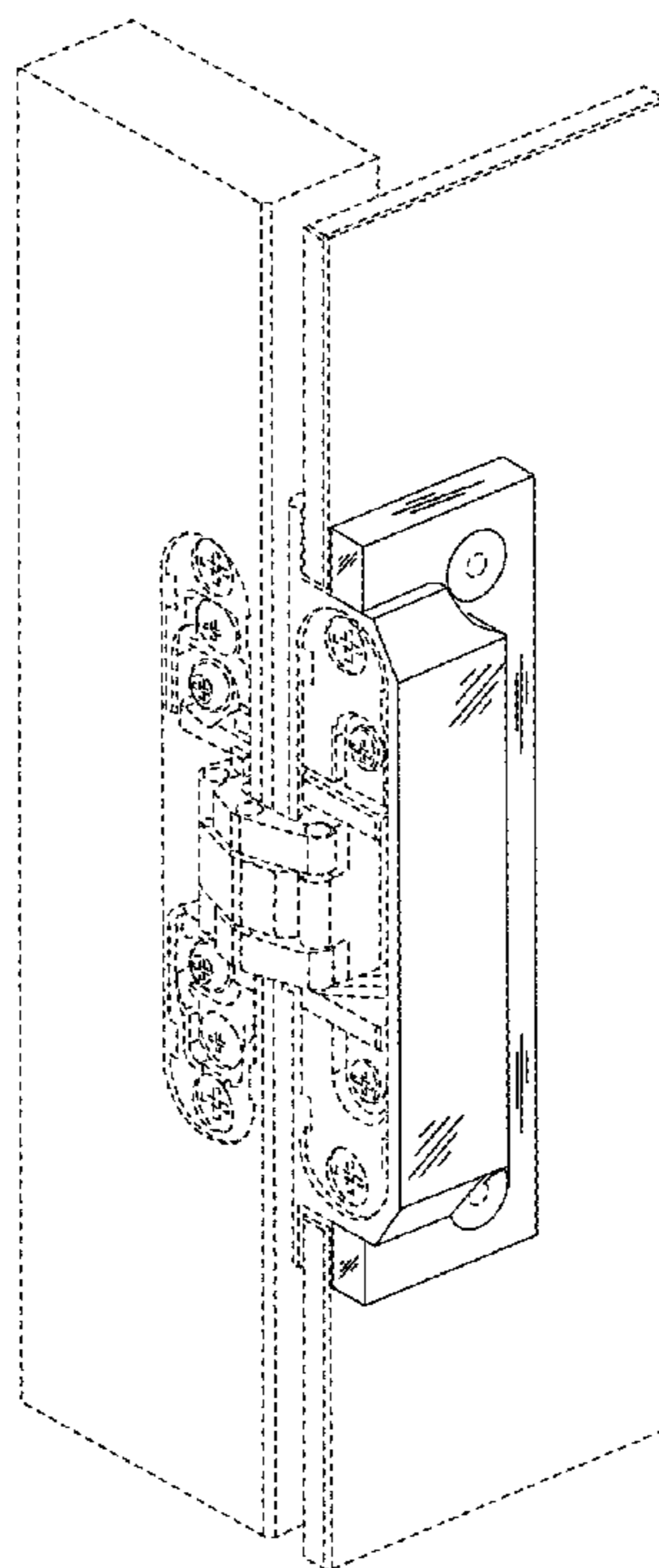


FIG. 1

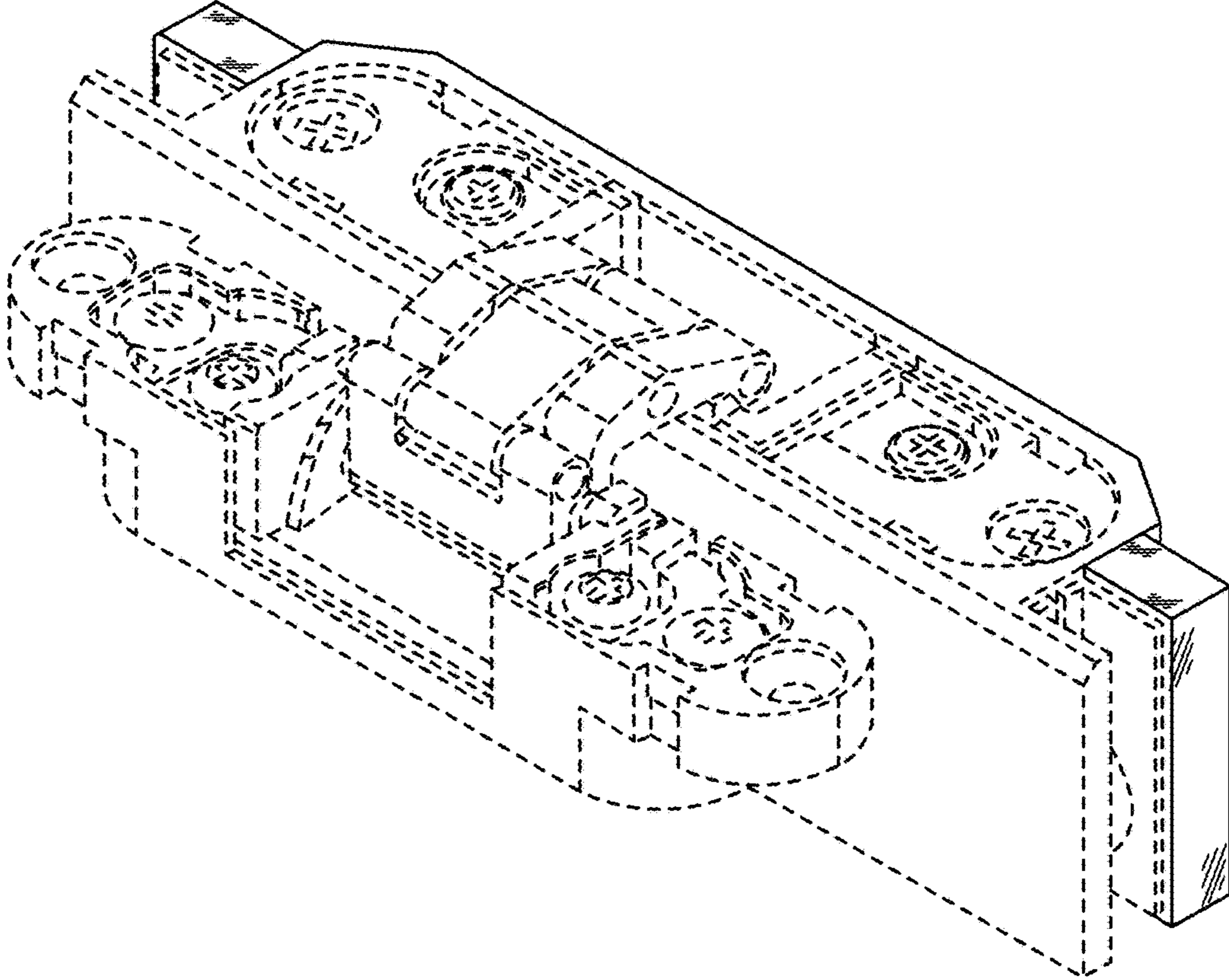


FIG. 2

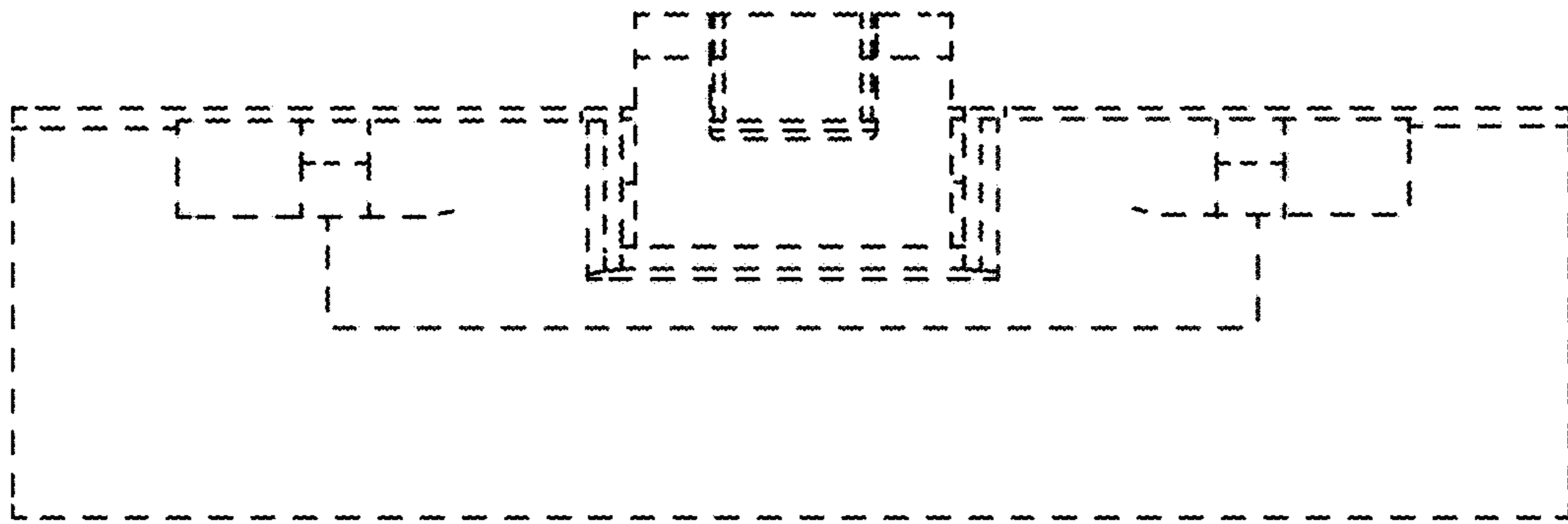


FIG. 3

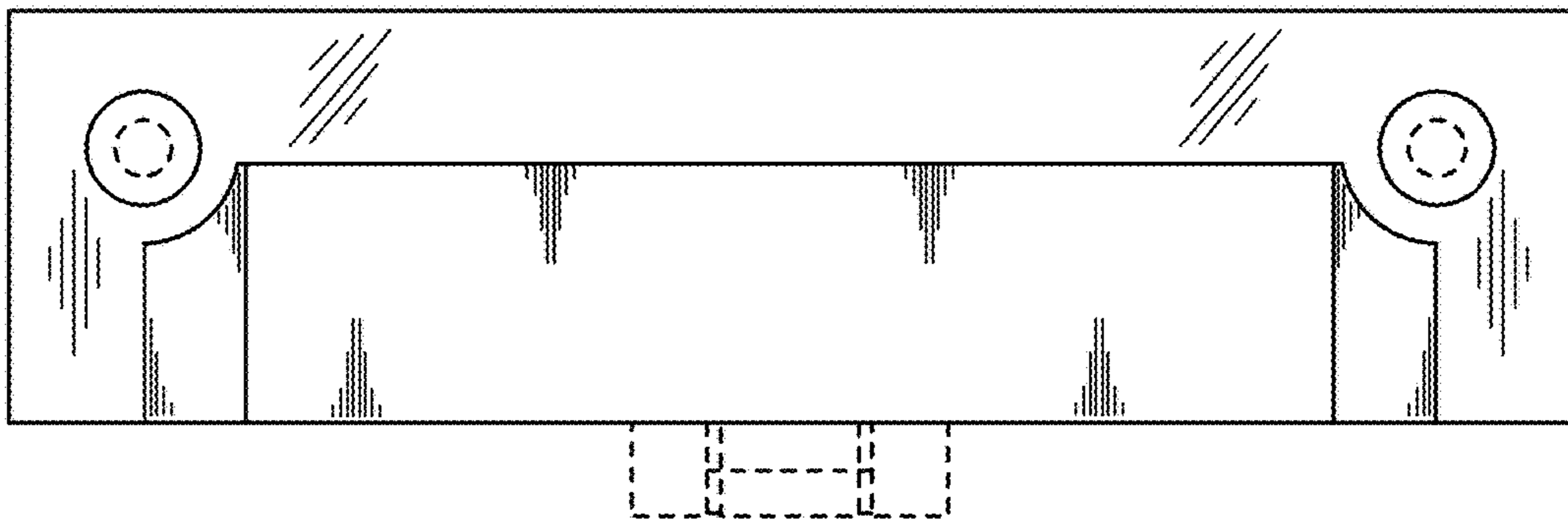


FIG. 4

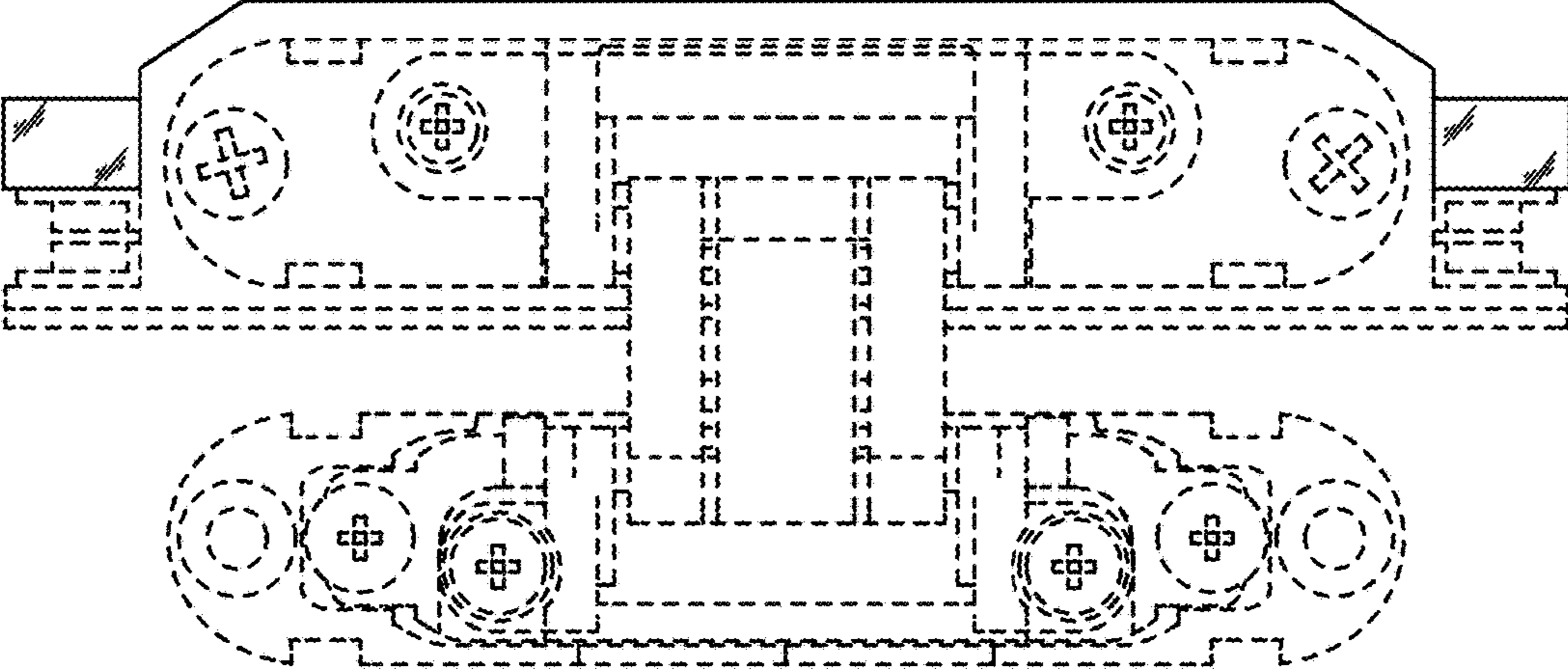


FIG. 5

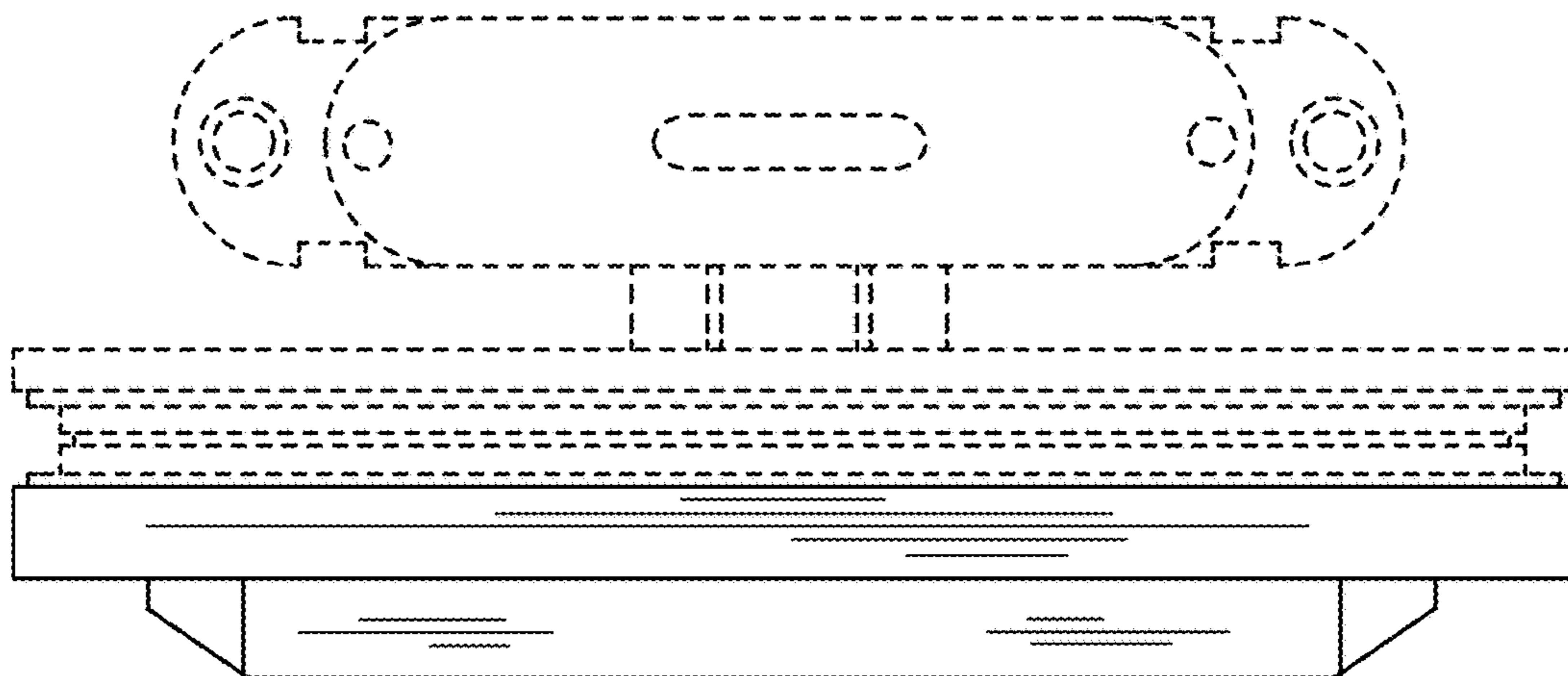


FIG. 6

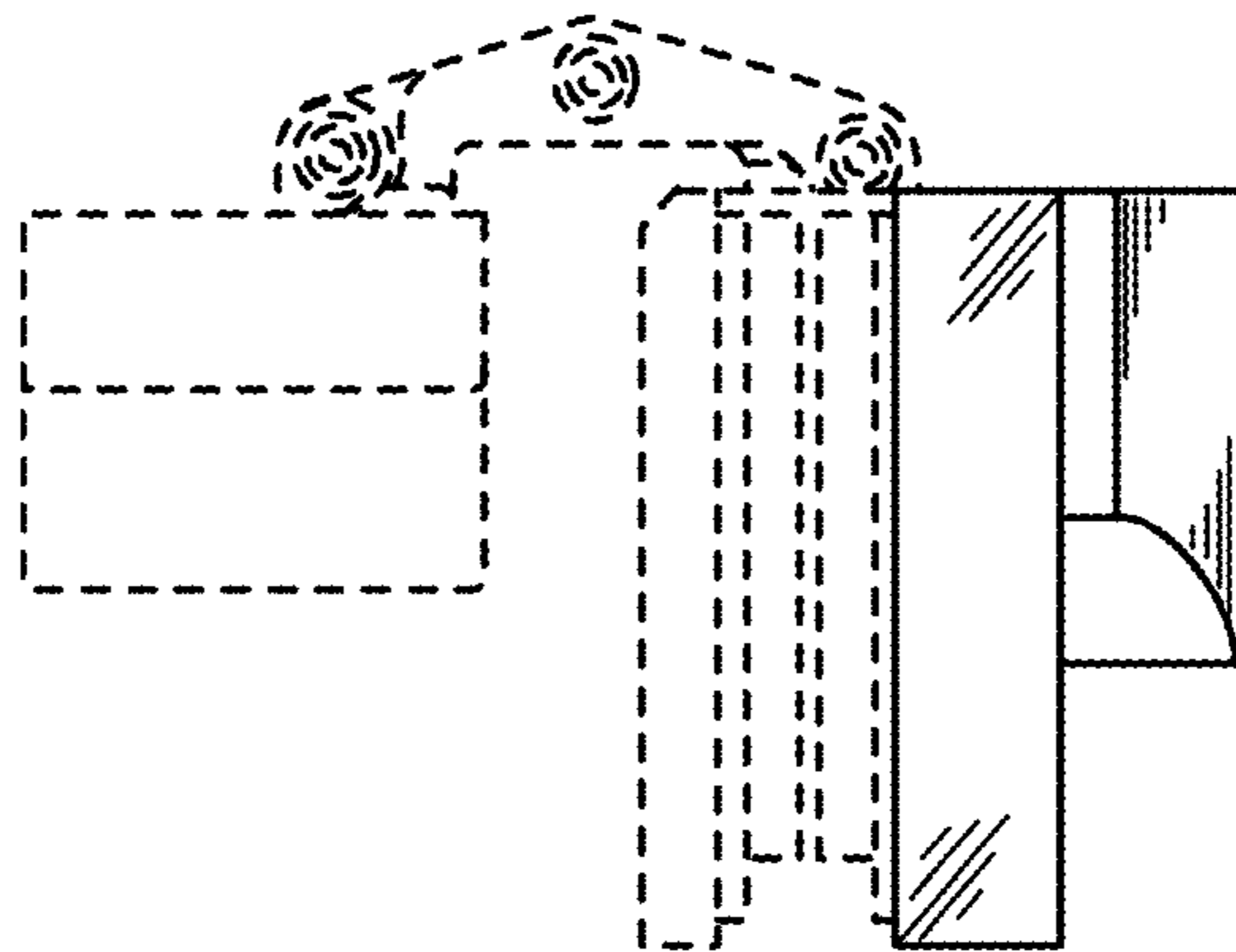




FIG. 7

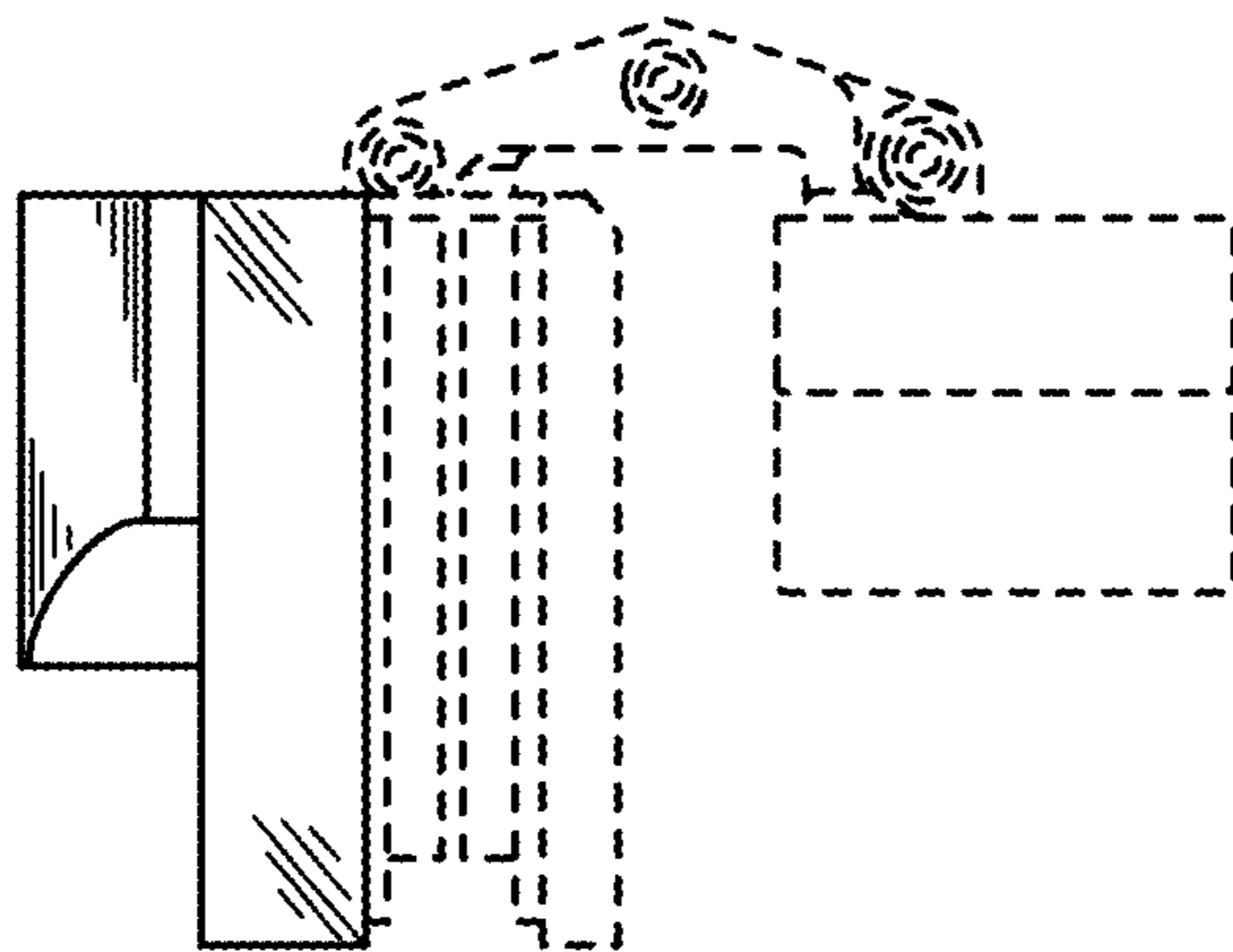




FIG. 8

