



US00D818790S

(12) **United States Design Patent** (10) **Patent No.:** **US D818,790 S**
Ito et al. (45) **Date of Patent:** **** May 29, 2018**

(54) **DOOR HANDLE FOR A TRUCK VEHICLE**
(71) Applicant: **International Truck Intellectual Property Company, LLC**, Lisle, IL (US)
(72) Inventors: **Chris Isamu Ito**, Sugar Grove, IL (US); **Glen Joel Durmisevich**, Rochester Hills, MI (US); **David James Olsen**, Aurora, IL (US); **James C. Box**, Leesburg, FL (US)
(73) Assignee: **International Truck Intellectual Property Company, LLC**, Lisle, IL (US)
(**) Term: **15 Years**
(21) Appl. No.: **29/565,912**
(22) Filed: **May 25, 2016**
(51) **LOC (11) Cl.** **08-06**
(52) **U.S. Cl.**
USPC **D8/302**
(58) **Field of Classification Search**
USPC D8/301, 302, 313, 315, 316, 318, 319, D8/320, 350; 16/110.1, 402, 412, 444; 292/347, 348, DIG. 23, DIG. 53; 70/207, 70/208, 209, 224, 455
CPC ... Y10T 16/44; Y10T 292/57; Y10T 70/5761; Y10T 70/5832; Y10T 16/458; Y10T 292/1047; Y10T 16/513; Y10T 70/5889; Y10T 16/498; Y10T 70/5792; Y10T 16/476; Y10T 16/86; Y10T 70/7062; Y10T 70/8568; Y10T 16/4713; Y10T 70/5819; Y10T 70/5155; Y10T 74/20732; Y10T 292/097; Y10T 292/1059; Y10T 70/7113; Y10T 70/7305; Y10T 292/1014; Y10T 292/1052; Y10S 292/23; Y10S 292/53; Y10S 292/31; Y10S 292/64; Y10S 70/31
See application file for complete search history.

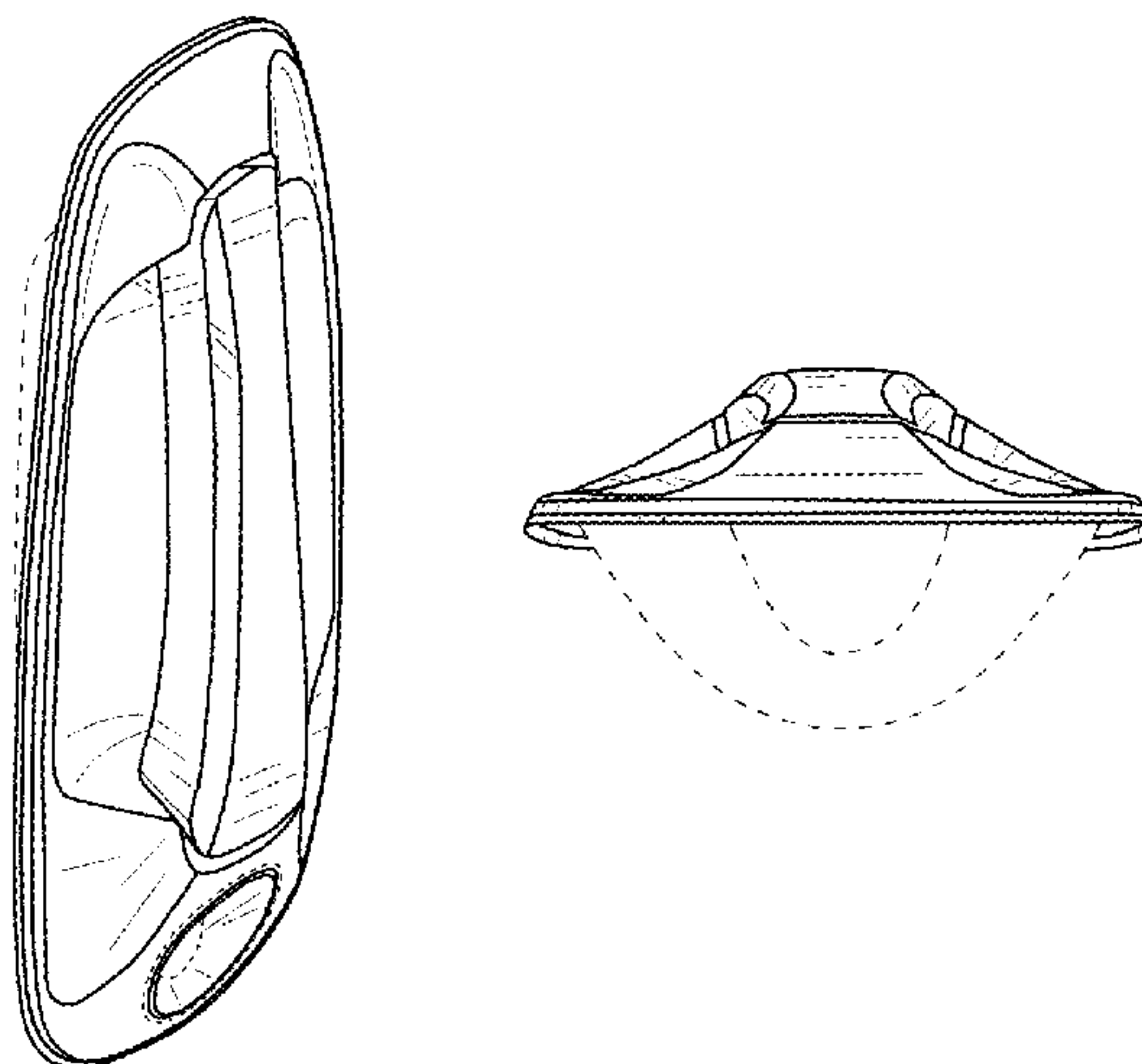
(56) **References Cited**
U.S. PATENT DOCUMENTS
2,427,386 A * 9/1947 Claud-Mantle E05B 85/22 292/169.11
D510,252 S * 10/2005 Larson D8/313
7,158,044 B2 * 1/2007 Monig E05B 81/78 292/336.3
7,201,415 B2 * 4/2007 Elwell B60R 13/00 296/1.08
7,237,411 B2 * 7/2007 Pantke E05B 77/02 16/412
D564,855 S * 3/2008 Hidding D8/302
D588,436 S * 3/2009 Larson D8/302
D619,871 S * 7/2010 Behnke D8/302
D628,042 S * 11/2010 Tieu D8/302
D712,232 S * 9/2014 Hall D8/302
2007/0200358 A1 * 8/2007 Chen E05B 13/101 292/216
2014/0265371 A1 * 9/2014 Weinerman E05B 85/16 292/336.3

* cited by examiner
Primary Examiner — Lauren R Calve
(74) *Attorney, Agent, or Firm* — Jeffrey P. Calfa; Mark C. Bach

(57) **CLAIM**
The ornamental design for a door handle for a truck vehicle, as shown and described.

DESCRIPTION
FIG. 1 is a perspective view of a door handle for a truck vehicle showing our new design;
FIG. 2 is a top plan view thereof;
FIG. 3 is a bottom plan view thereof;
FIG. 4 is a left side view thereof;
FIG. 5 is a front view thereof; and,
FIG. 6 is a rear view thereof.
The broken lines represent unclaimed subject matter and form no part of the claimed design.

1 Claim, 3 Drawing Sheets



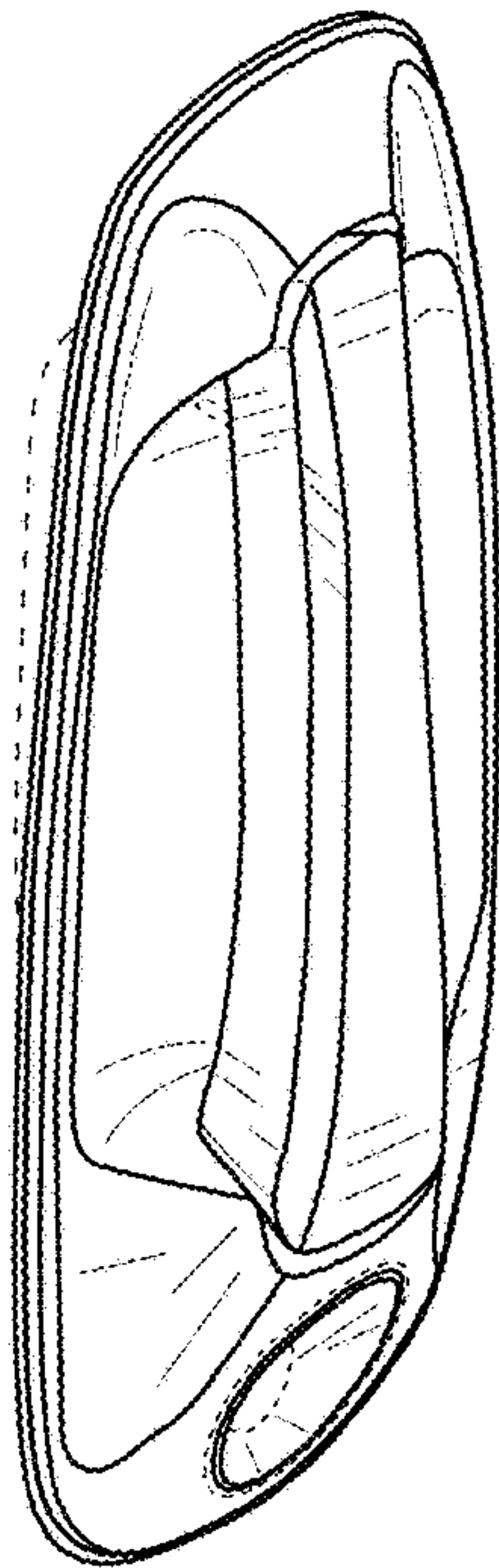


FIG. 1

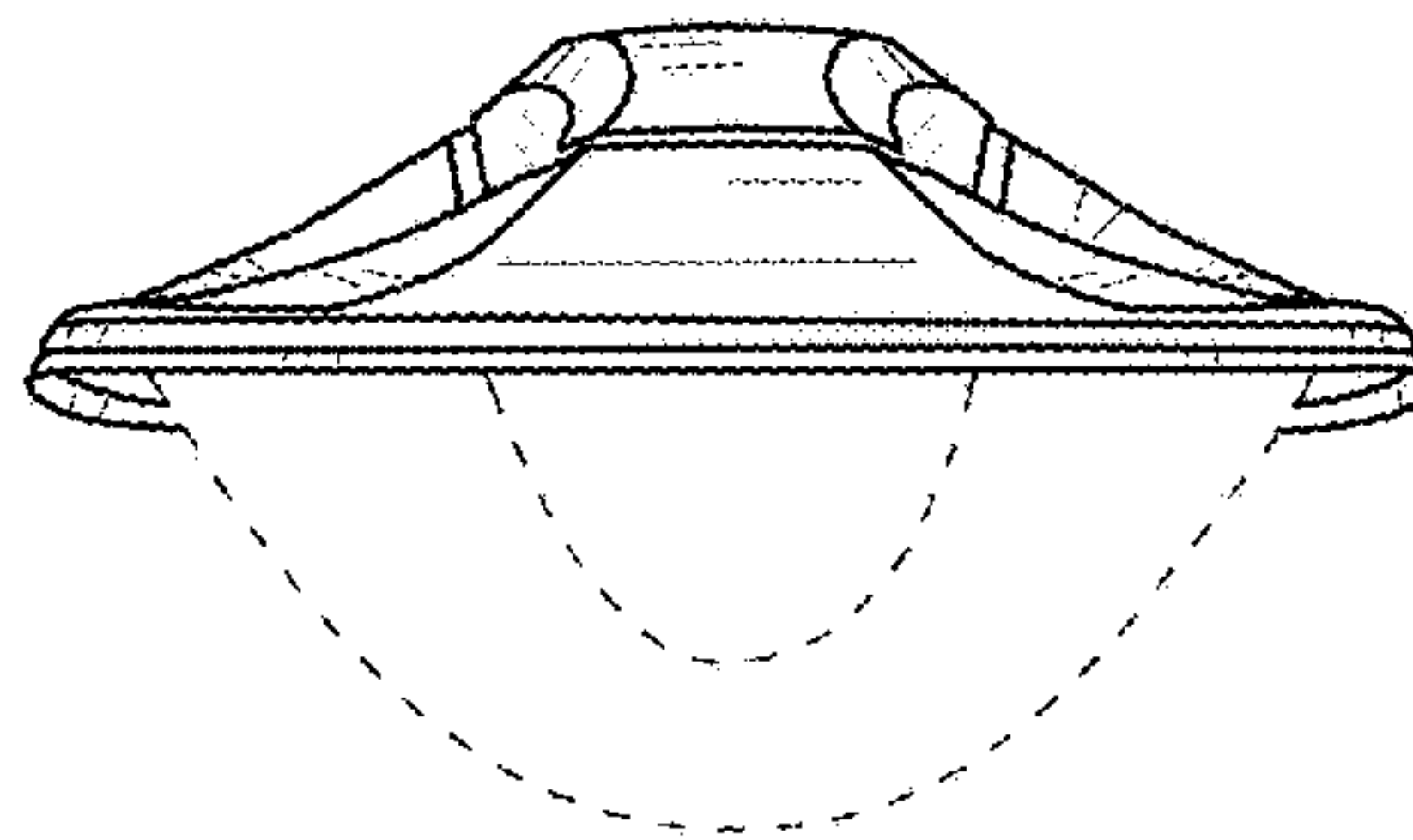


FIG. 2

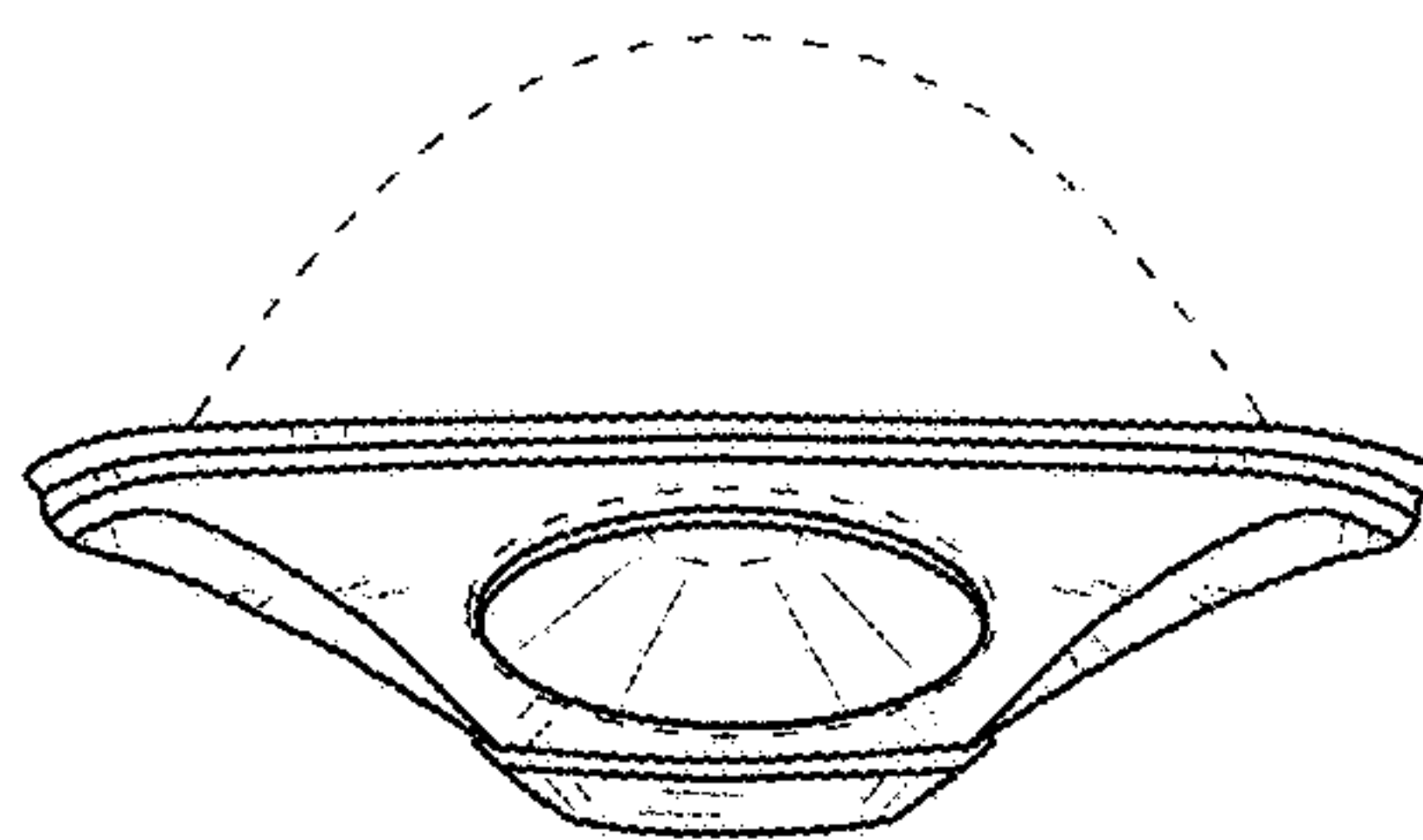


FIG. 3

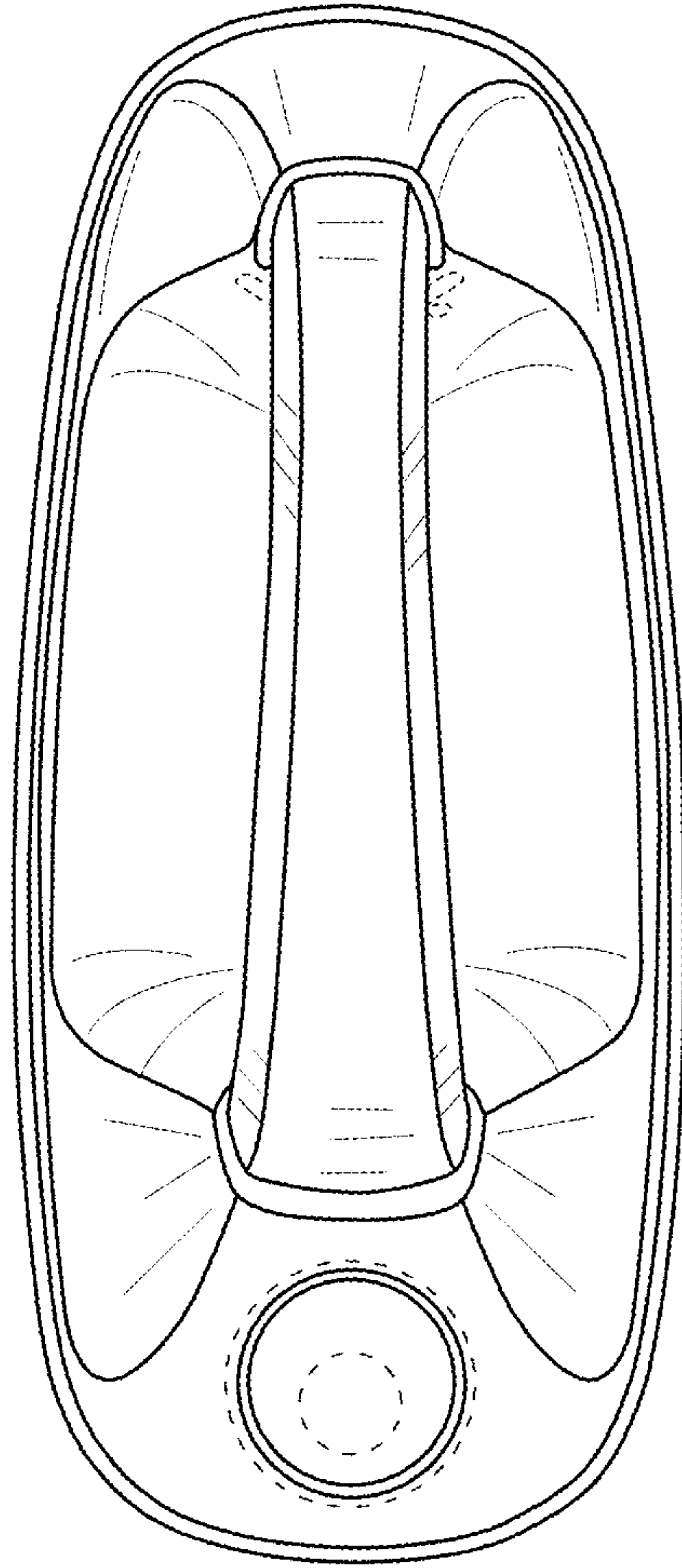


FIG. 4

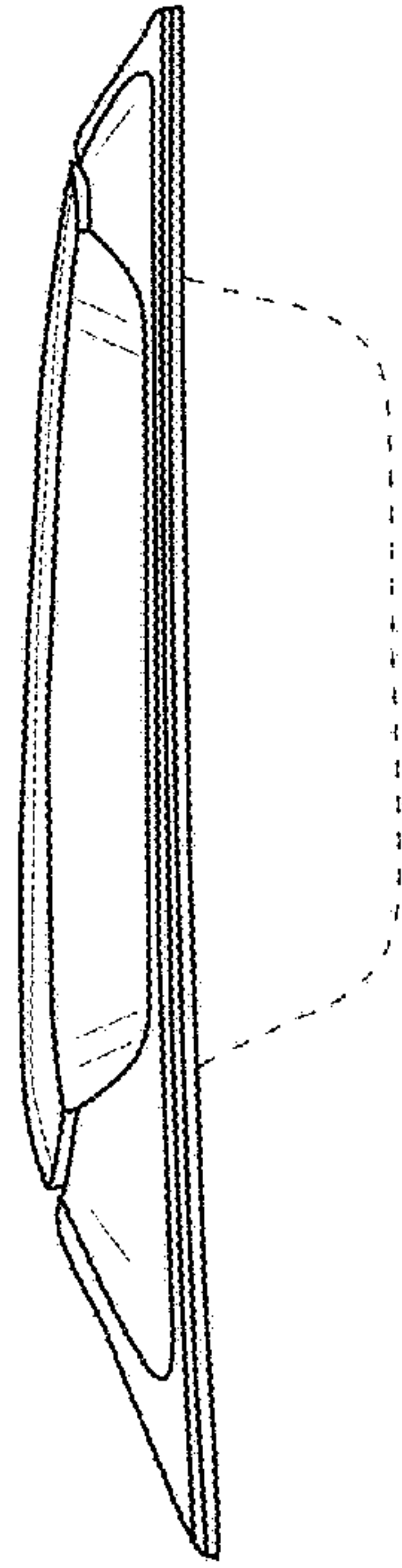


FIG. 5

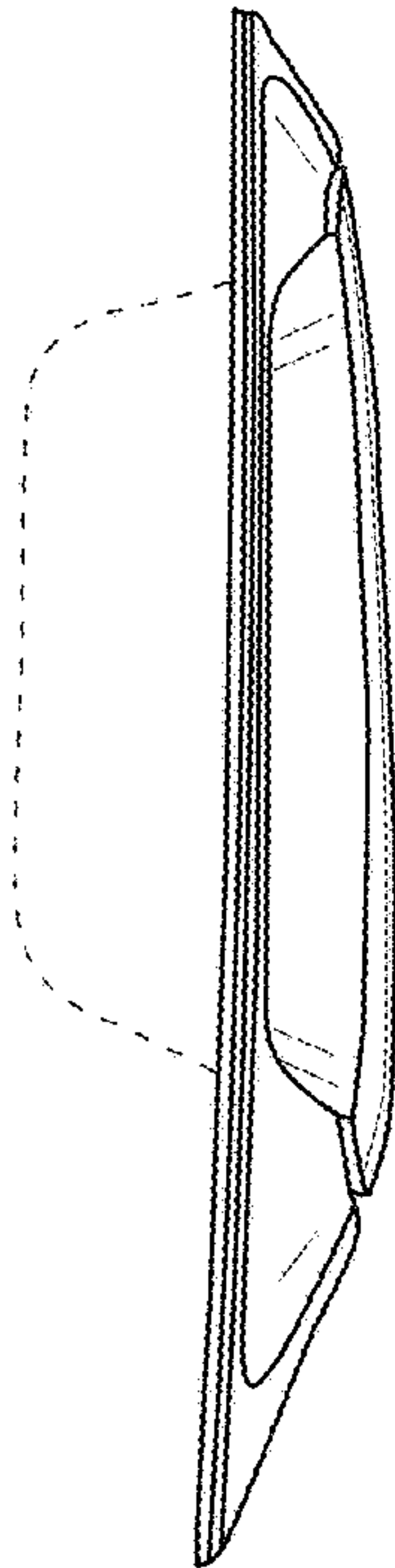


FIG. 6