



US00D818789S

(12) **United States Design Patent** (10) **Patent No.:** **US D818,789 S**
Fancelli (45) **Date of Patent:** **** May 29, 2018**

(54) **SAW WITH SHEATH**

(71) Applicant: **FELCO SA**, Les
Geneveys-sur-Coffrane (CH)

(72) Inventor: **Paolo Fancelli**, Bellinzona (CH)

(**) Term: **15 Years**

(21) Appl. No.: **35/500,654**

(22) Filed: **Sep. 3, 2015**

(80) **Hague Agreement Data**

Int. Filing Date: **Sep. 3, 2015**

Int. Reg. No.: **DM/087431**

Int. Reg. Date: **Sep. 3, 2015**

Int. Reg. Pub. Date: **Mar. 4, 2016**

(51) **LOC (11) Cl.** **08-03**

(52) **U.S. Cl.**
USPC **D8/95**

(58) **Field of Classification Search**
USPC D8/7, 95, 97-99, 105, 107; D22/118
CPC B23D 51/10; B23D 51/03
See application file for complete search history.

(56) **References Cited**

U.S. PATENT DOCUMENTS

D306,817 S *	3/1990	McMorrough	D8/107
D368,633 S *	4/1996	Nakayama	D8/95
D397,281 S *	8/1998	Hsu	D8/95
D429,137 S *	8/2000	Eriksson	D8/95
D436,013 S *	1/2001	Eriksson	D8/95
D442,053 S *	5/2001	Jimenez	D8/95
D508,193 S *	8/2005	Tran	D8/95
D509,123 S *	9/2005	Tran	D8/95
D513,956 S *	1/2006	Tran	D8/95
D521,346 S *	5/2006	Budrow	D8/95
D557,583 S *	12/2007	Lewis	D8/95

(Continued)

Primary Examiner — Darlington Ly

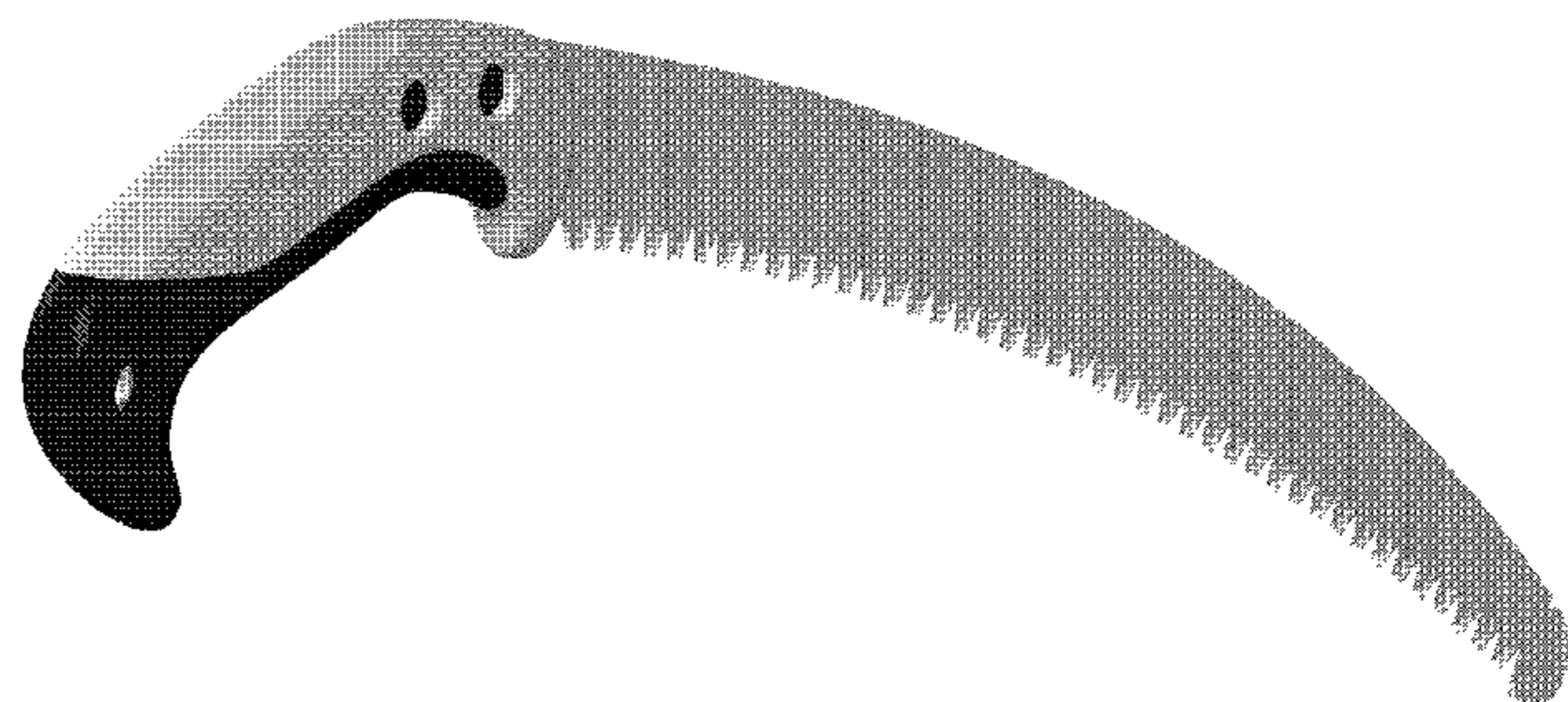
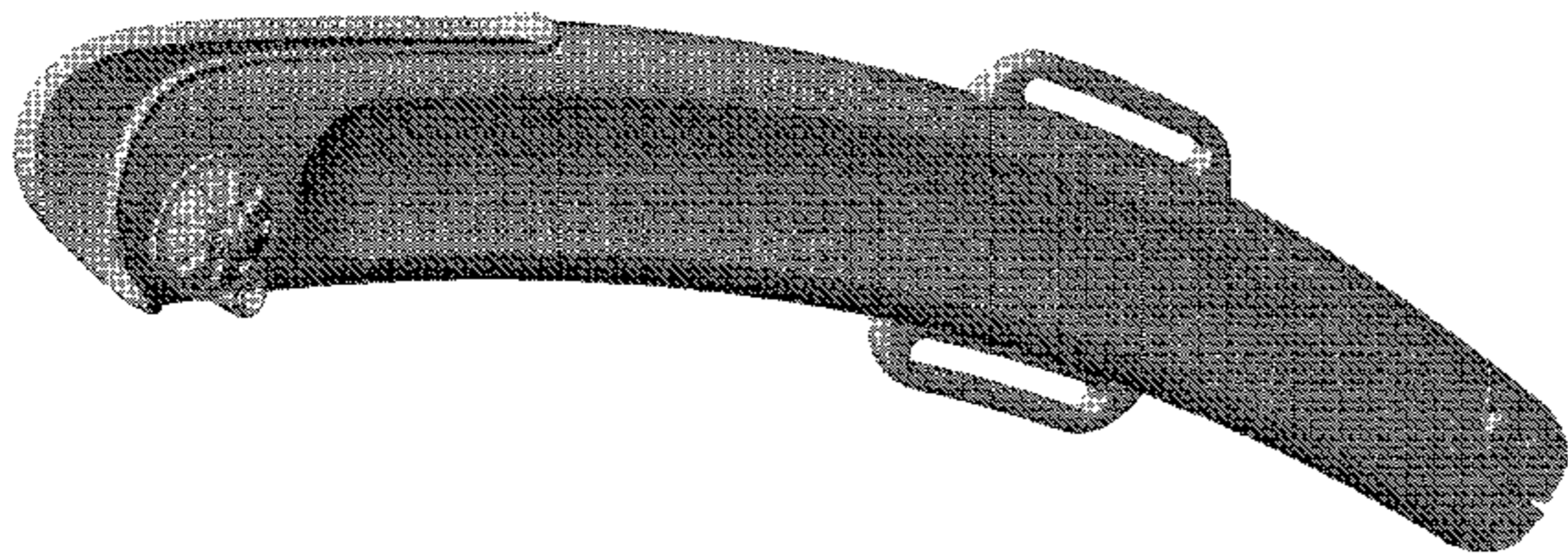
(57) **CLAIM**

The ornamental design for a saw with sheath, as shown and described.

DESCRIPTION

1. Saw with sheath
- 1.1 is a front elevation view of a saw with sheath showing my new design;
- 1.2 is a rear elevation view thereof;
- 1.3 is a top plan view thereof;
- 1.4 is a bottom plan view thereof;
- 1.5 is a left side elevation view thereof;
- 1.6 is a right side elevation view thereof;
- 1.7 is a front elevation view thereof, with the blade fully extended;
- 1.8 is a rear elevation view thereof, with the blade fully extended;
- 1.9 is a top plan view thereof, with the blade fully extended;
- 1.10 is a bottom plan view thereof, with the blade fully extended;
- 1.11 is a left side elevation view thereof, with the blade fully extended;
- 1.12 is a right side elevation view thereof, with the blade fully extended;
- 1.13 is a lower left perspective view of the sheath;
- 1.14 is a lower right perspective view of the sheath;
- 1.15 is an upper right perspective view of the sheath;
- 1.16 is an upper left perspective view of the sheath;
- 1.17 is a lower left perspective view of the saw;
- 1.18 is a lower right perspective view of the saw;
- 1.19 is an upper right perspective view of the saw;
- 1.20 is an upper left perspective view of the saw;
- 1.21 is a left side elevation view illustrating the saw with the sheath attached;
- 1.22 is a right side elevation view illustrating the saw with the sheath attached;
- 1.23 is a top plan view illustrating the saw with the sheath attached; and
- 1.24 is a bottom plan view illustrating the saw with the sheath attached.

1 Claim, 24 Drawing Sheets



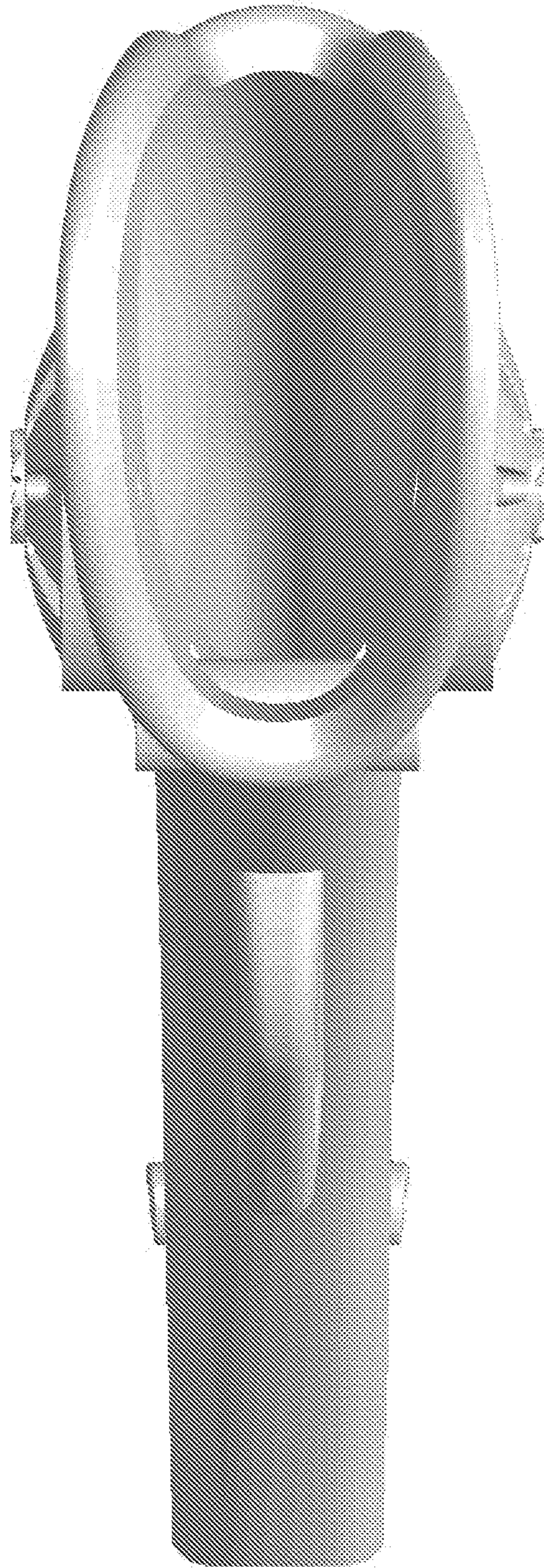
(56)

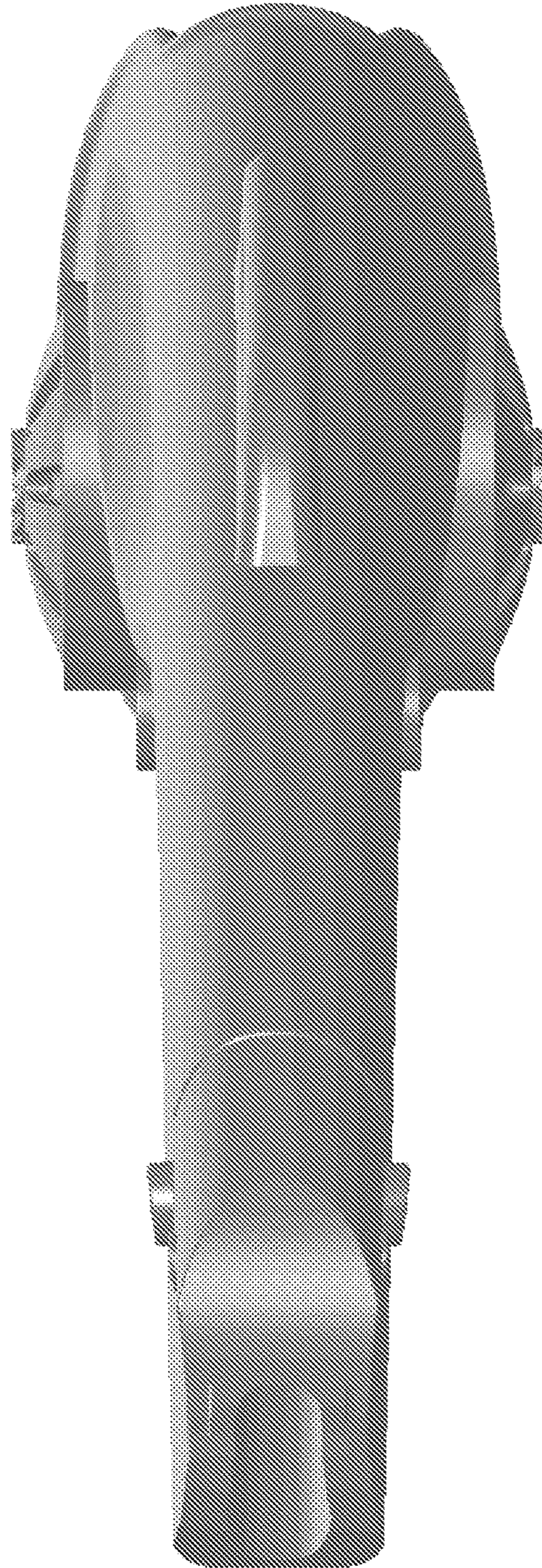
References Cited

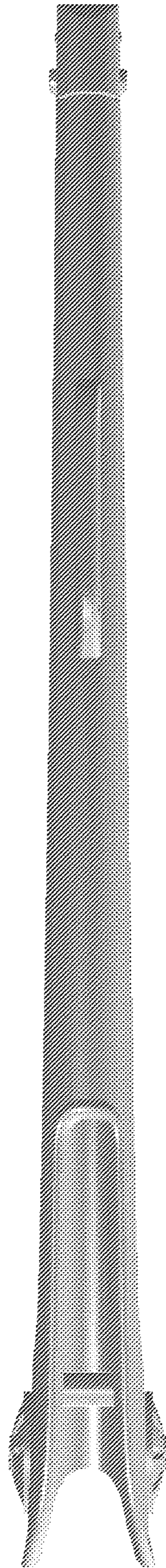
U.S. PATENT DOCUMENTS

D637,882 S * 5/2011 Bloch D8/95
D664,823 S * 8/2012 Pringnitz D8/7

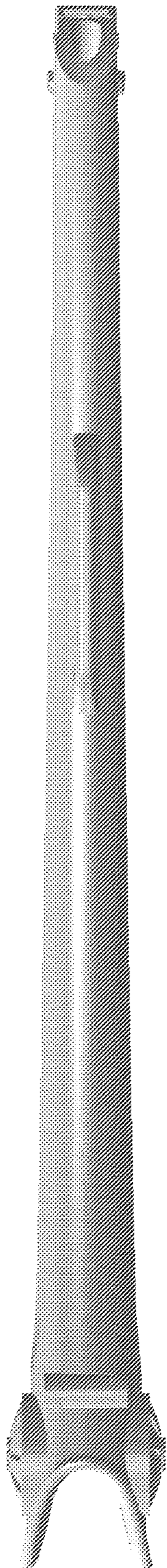
* cited by examiner



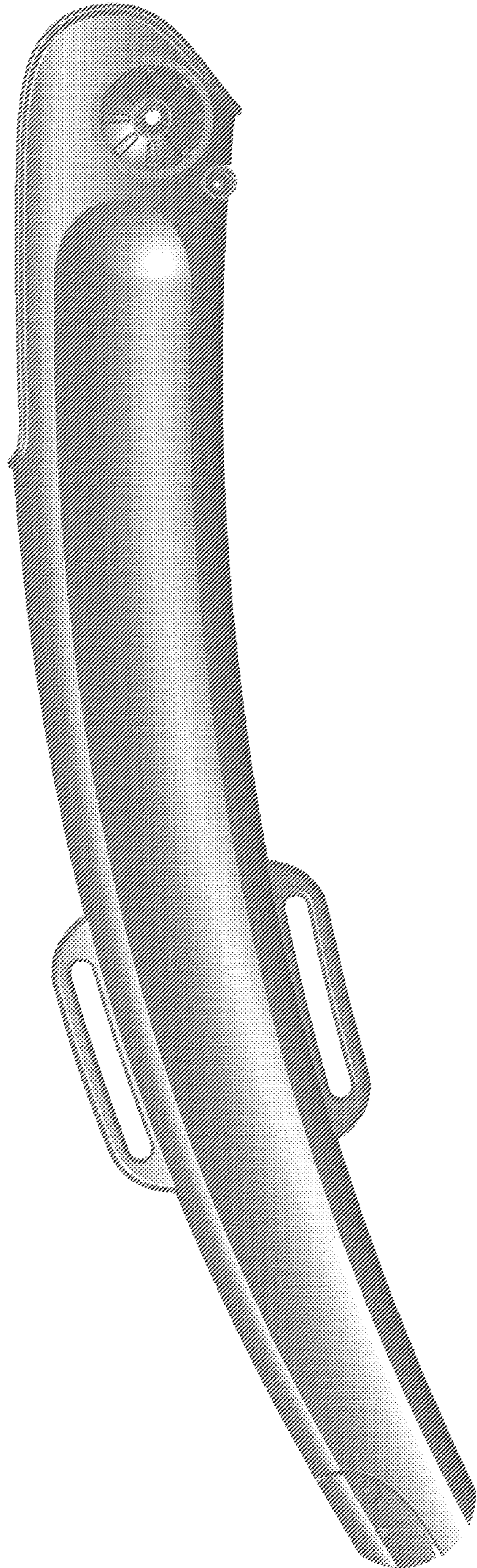




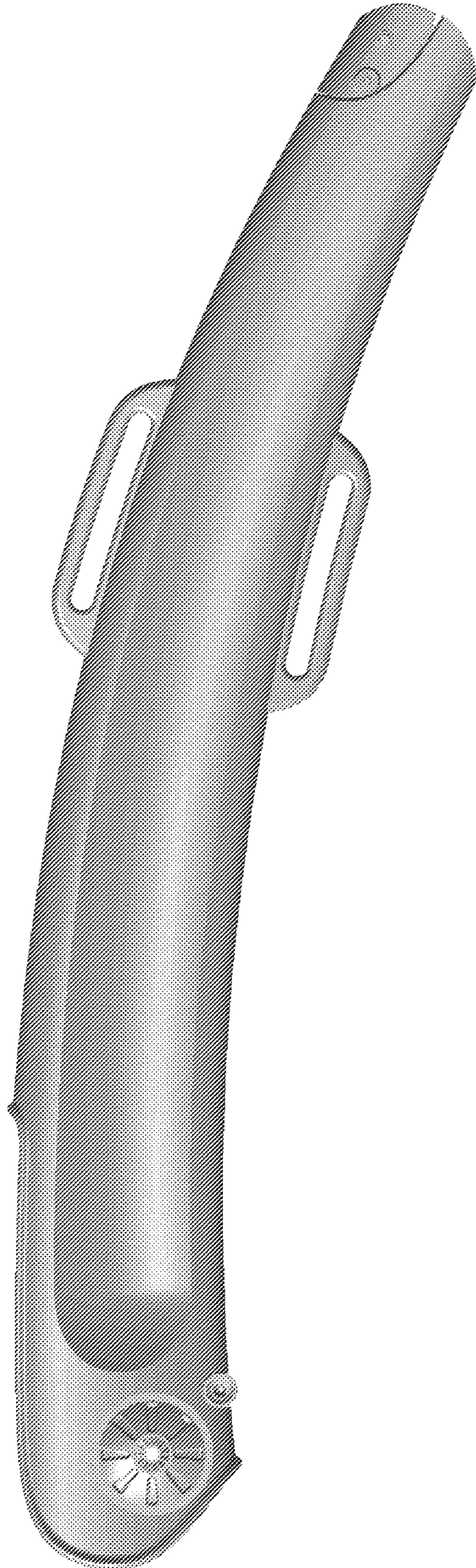
1.3



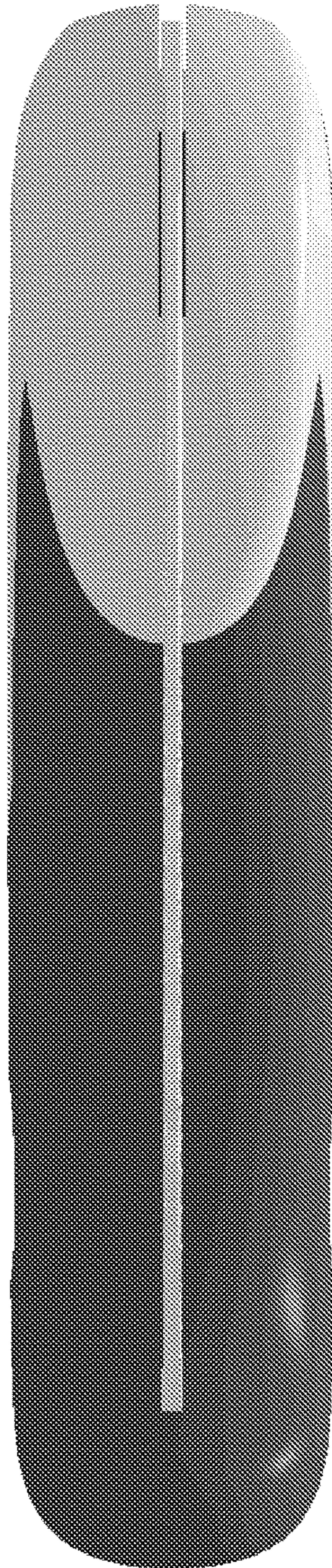
1.4

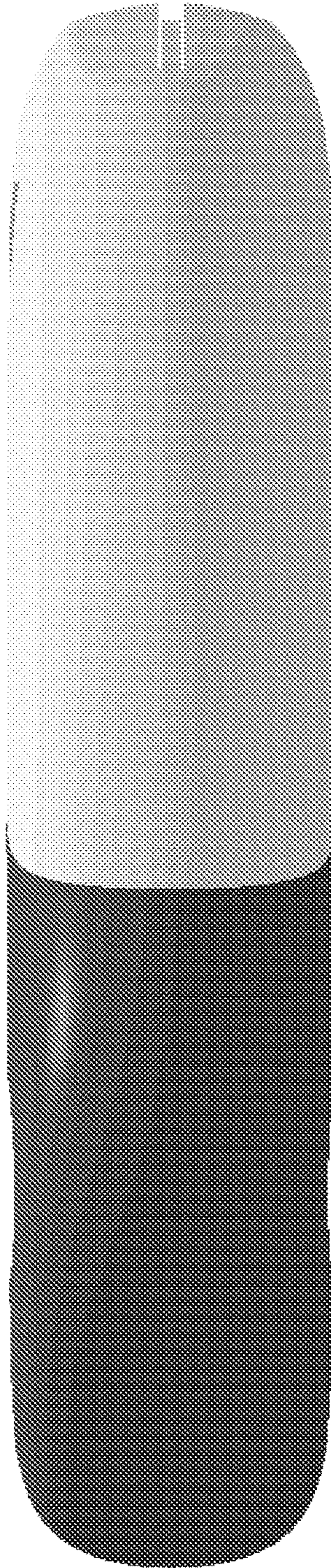


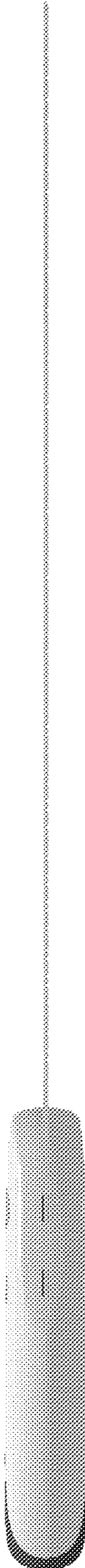
1.5



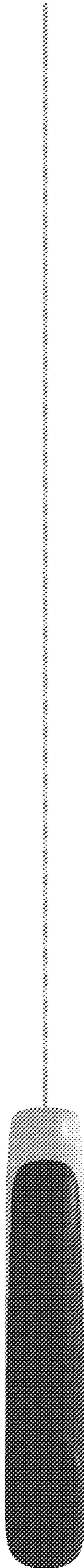
1.6



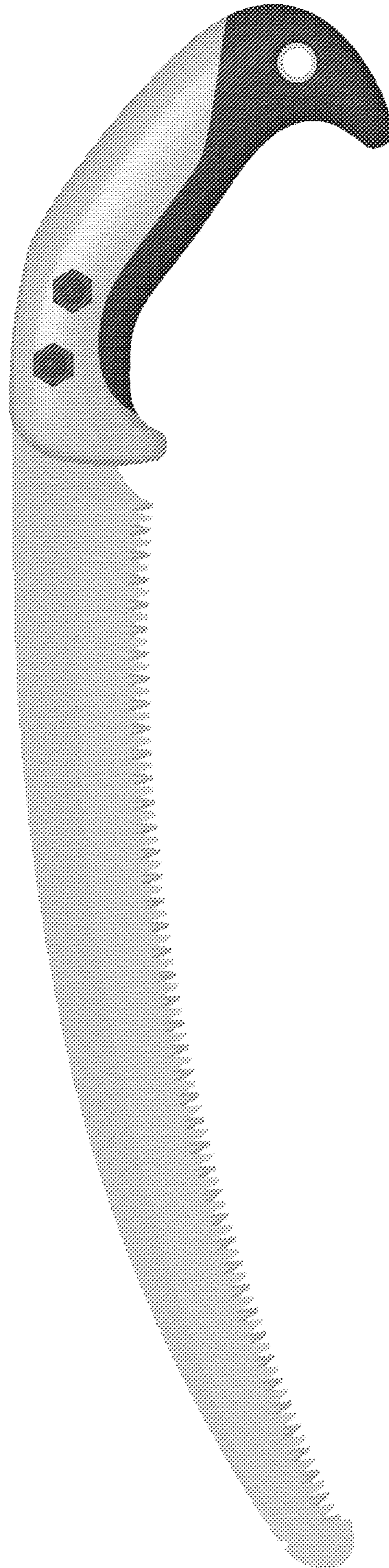




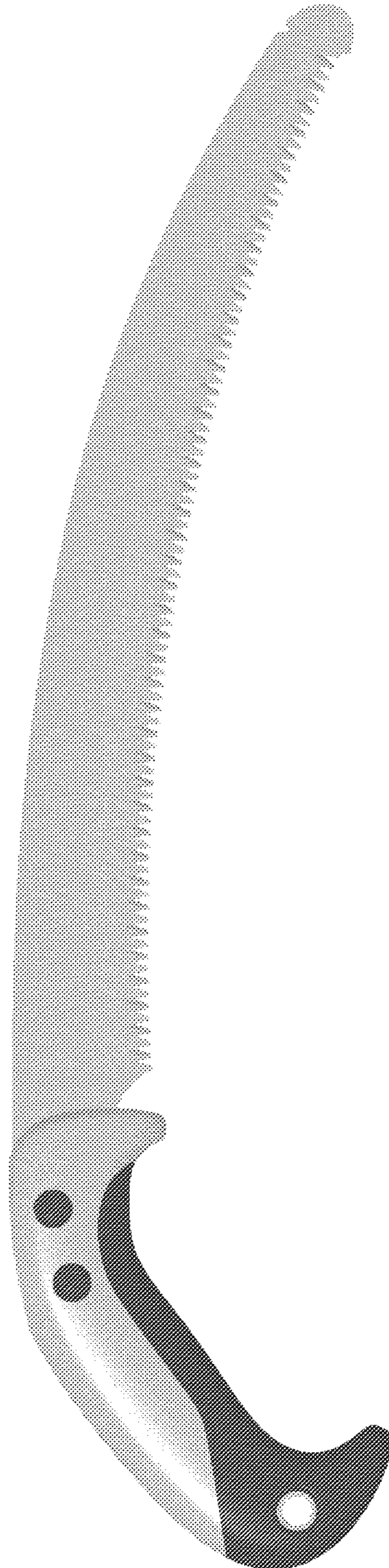
1.9



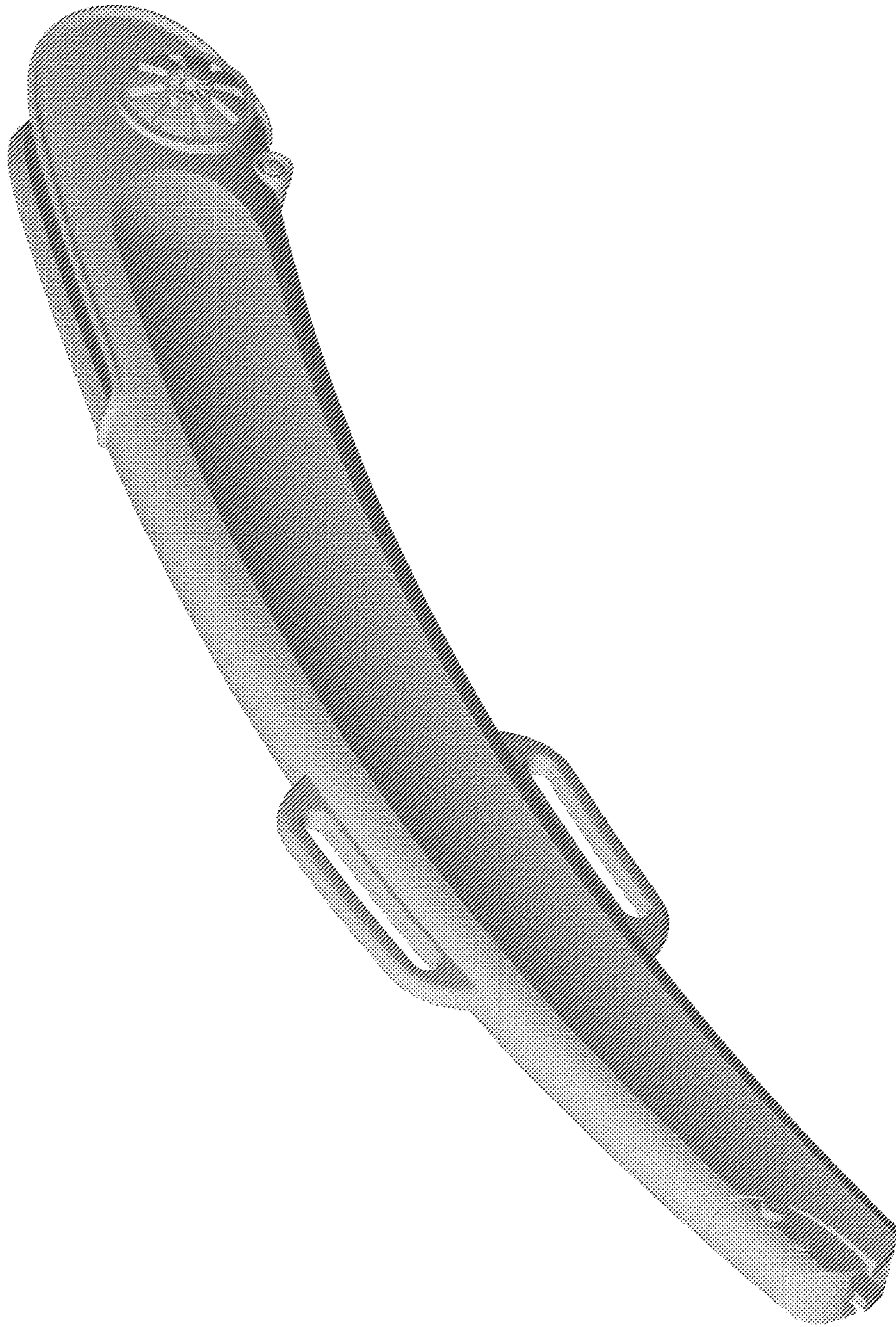
1.10



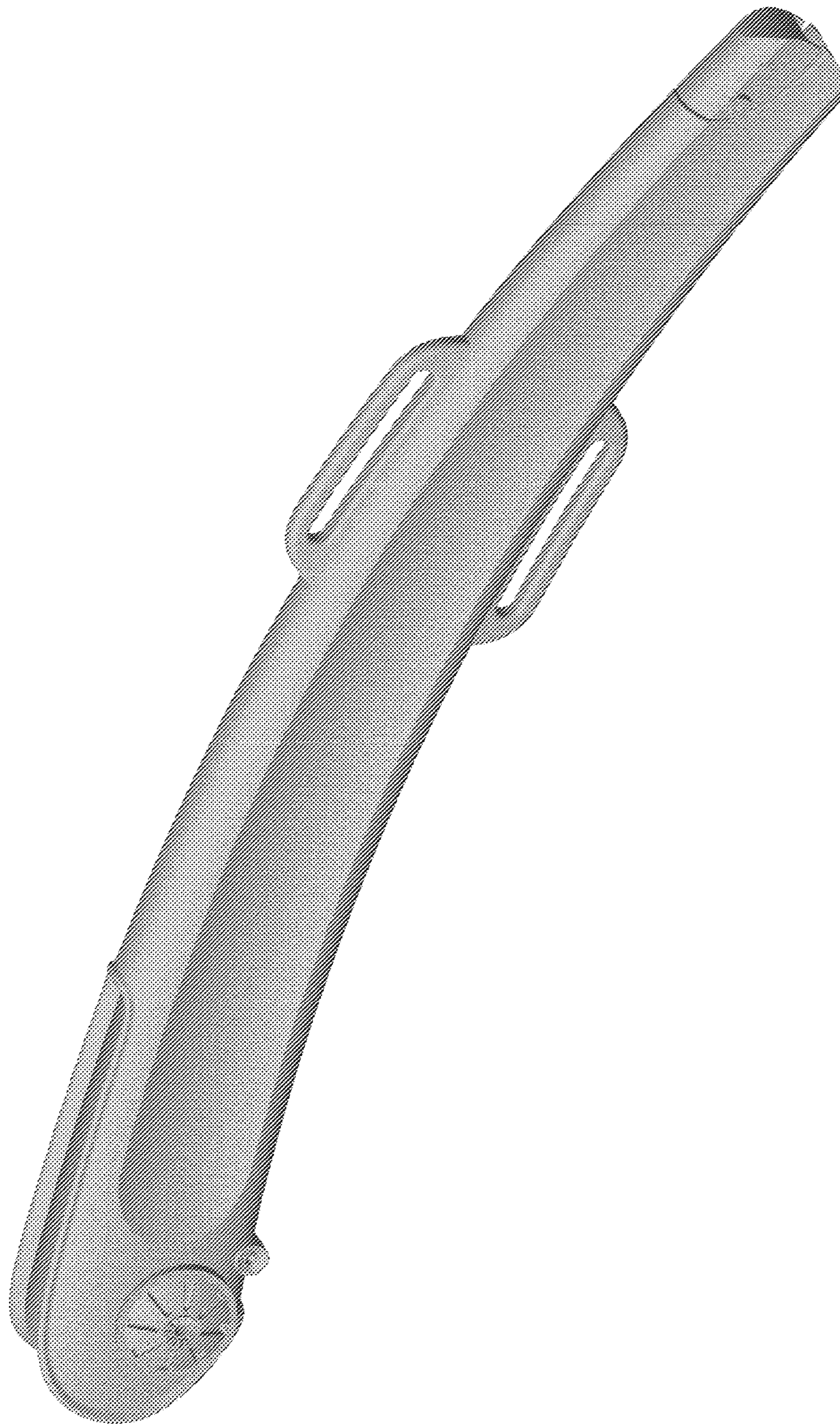
1.11



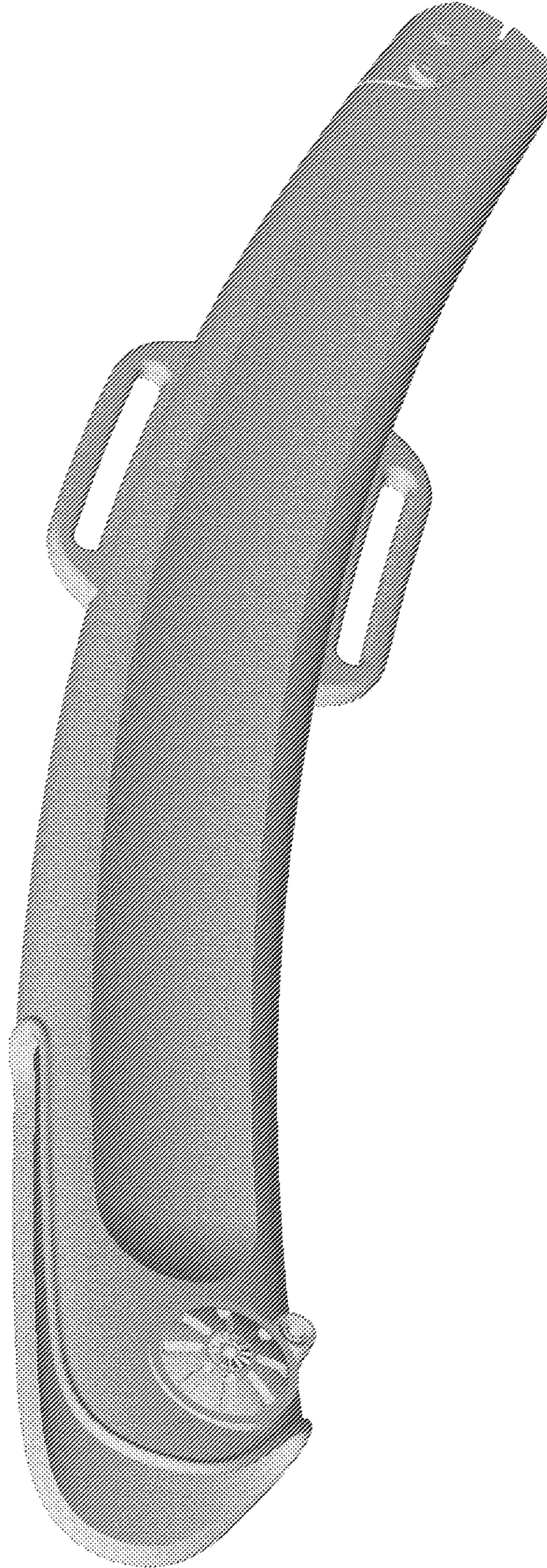
1.12



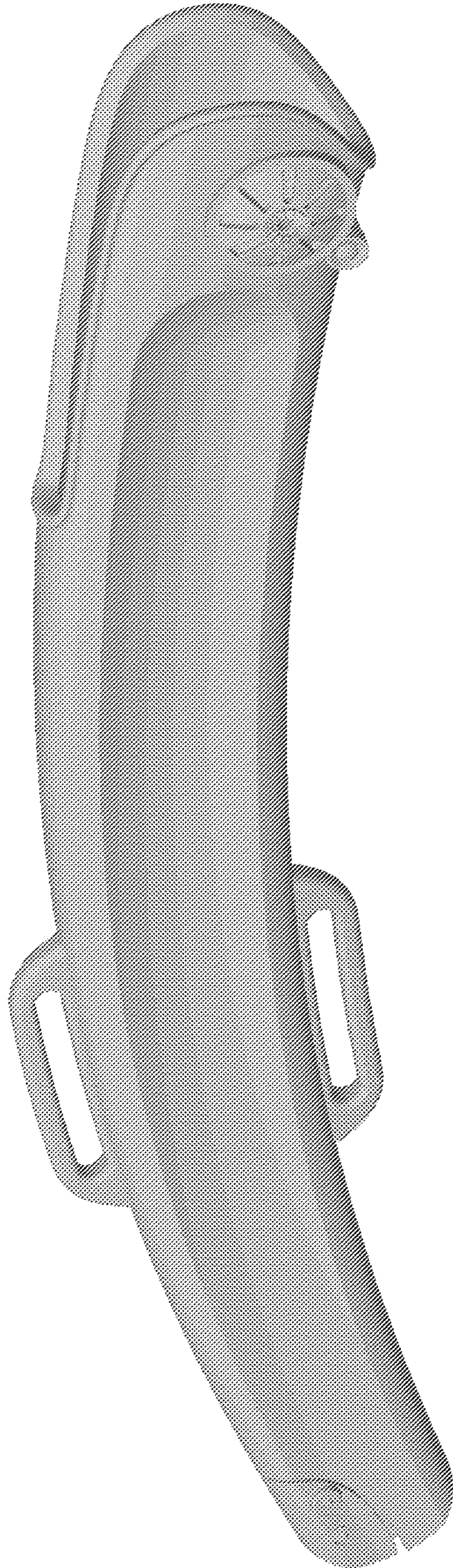
1.13



1.14



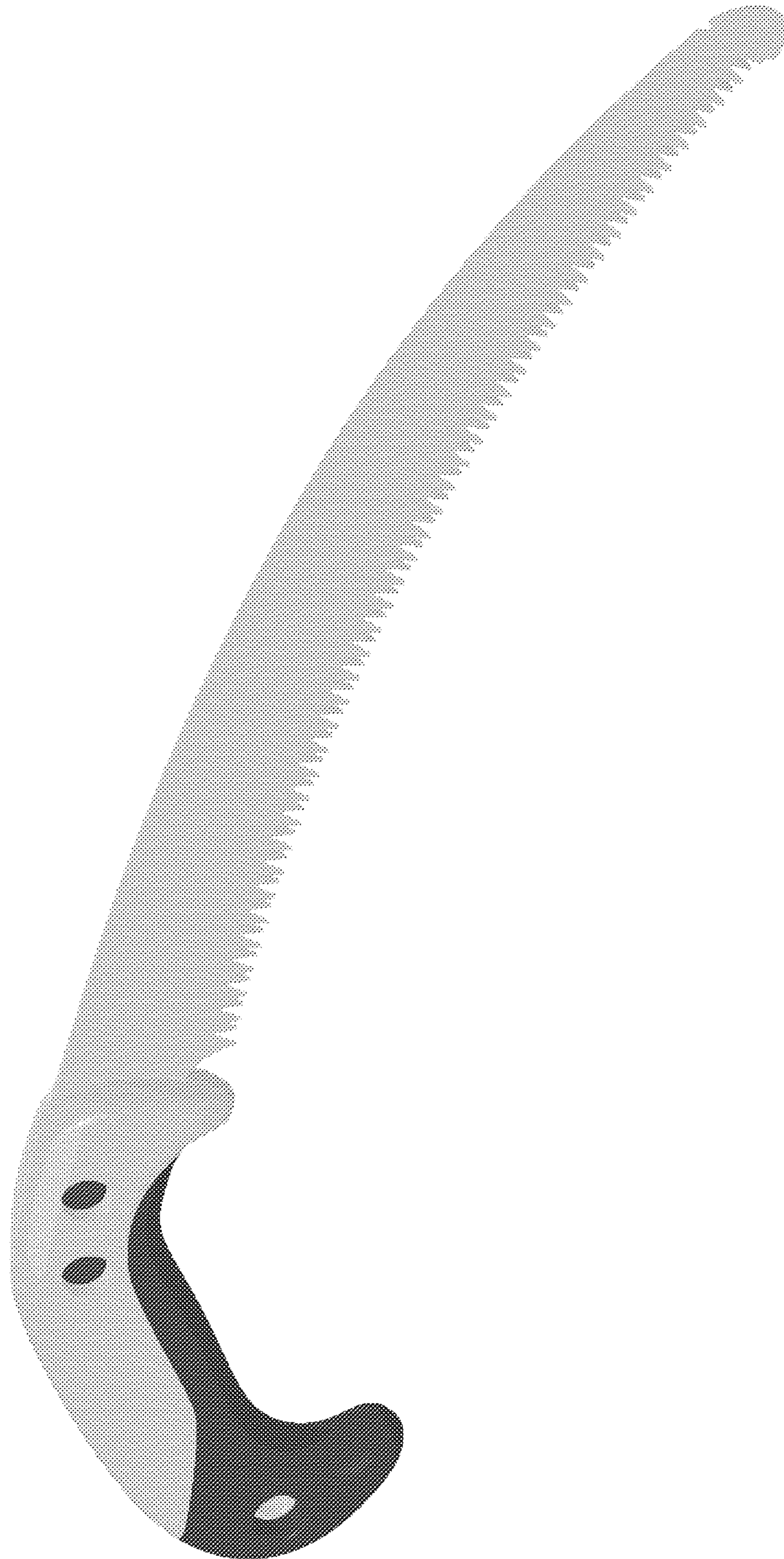
1.15



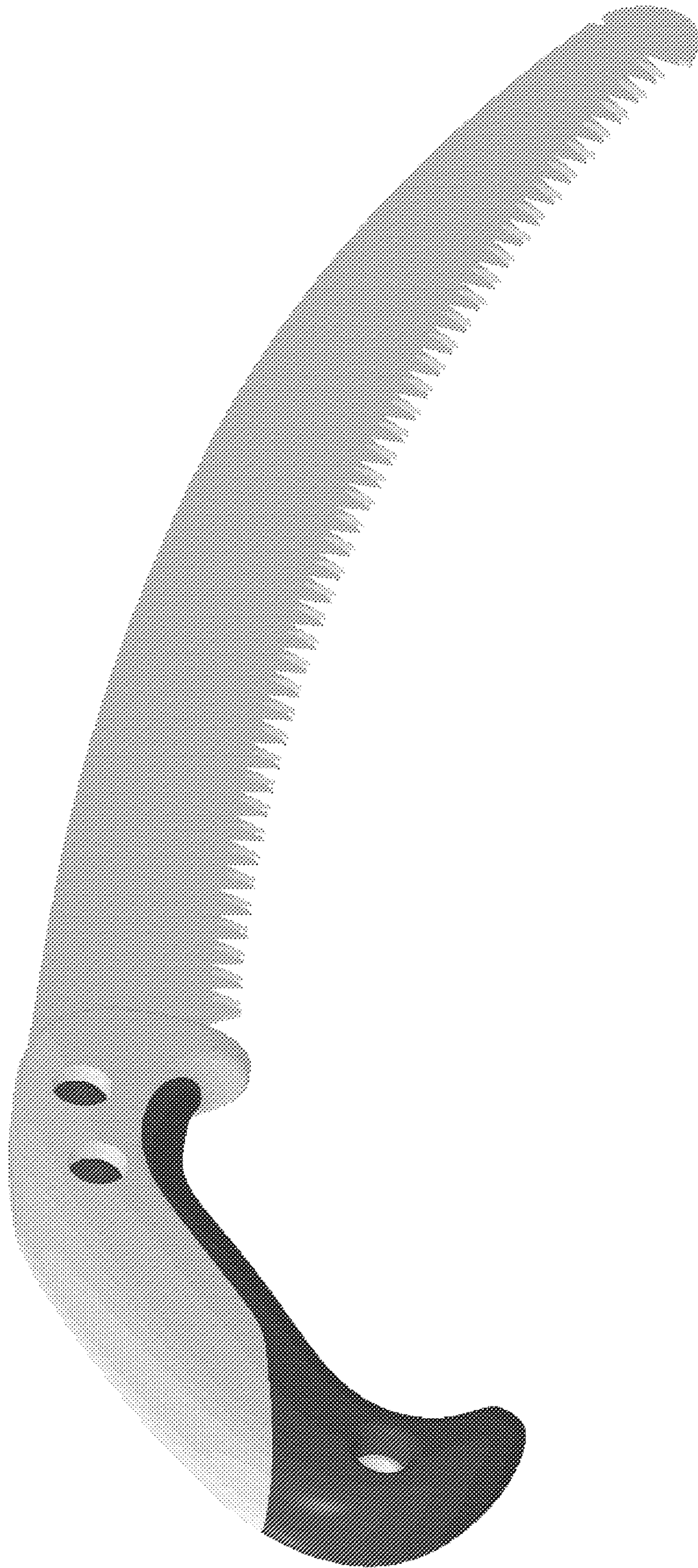
1.16



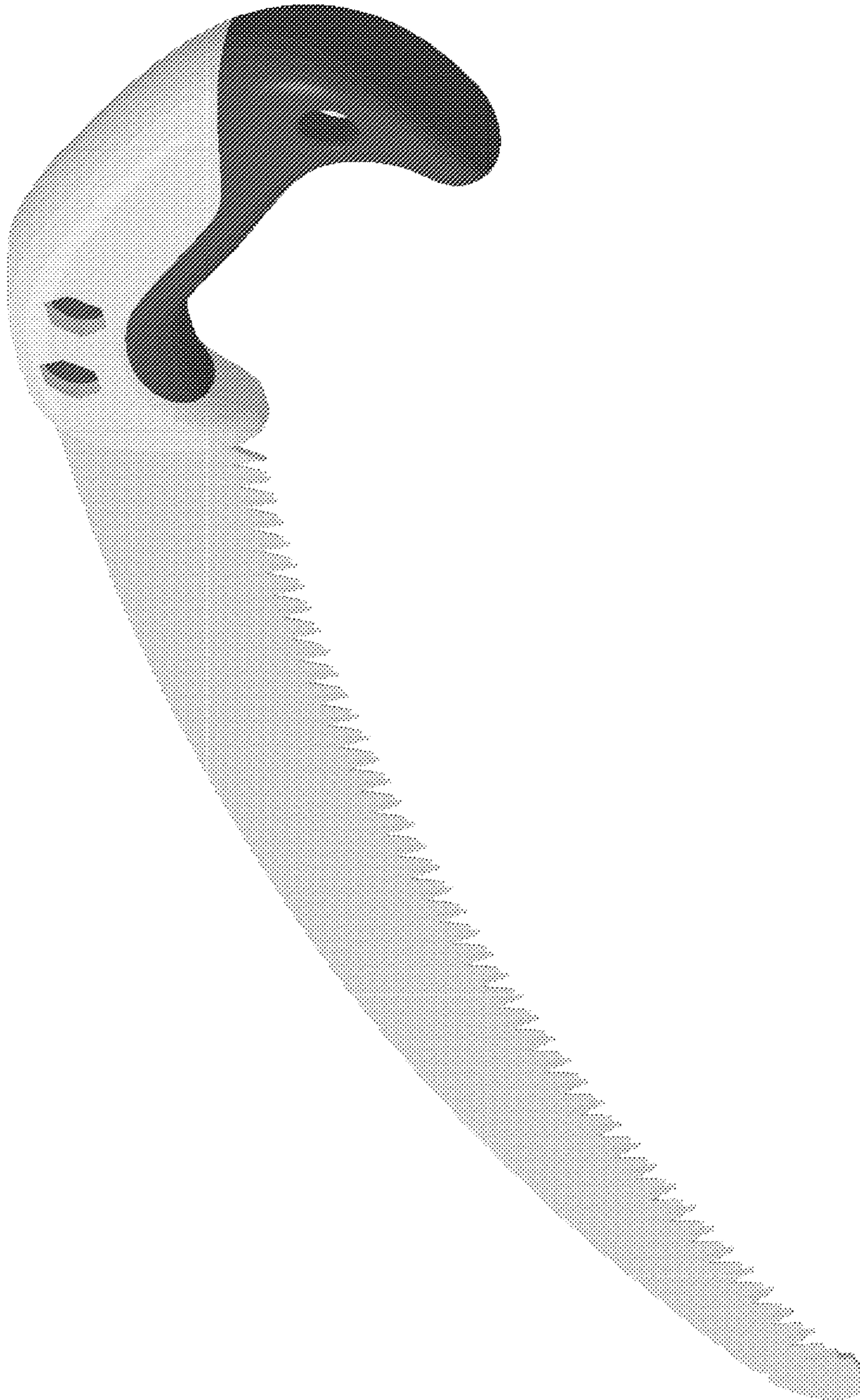
1.17



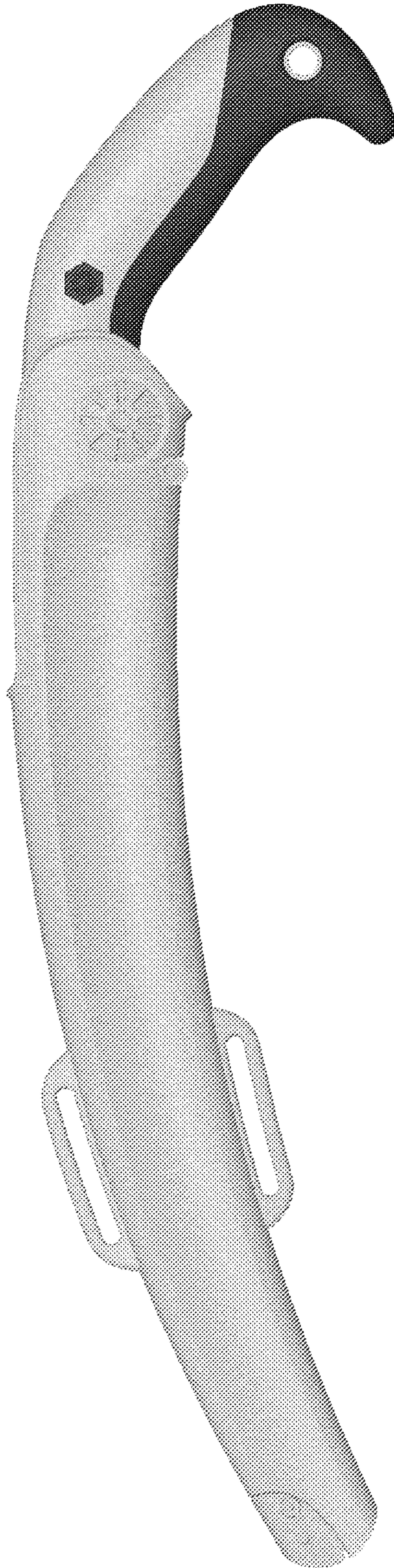
1.18



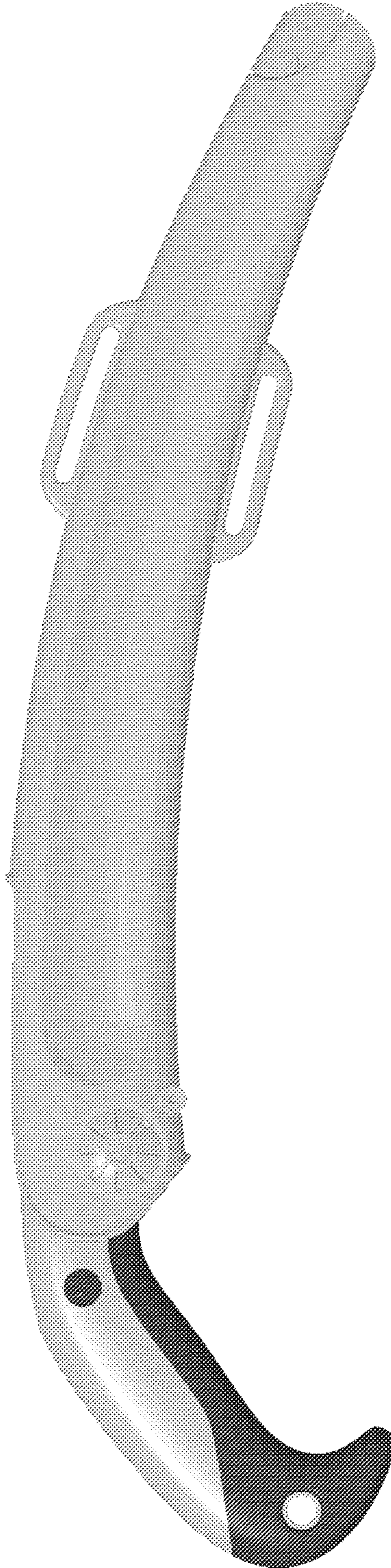
1.19



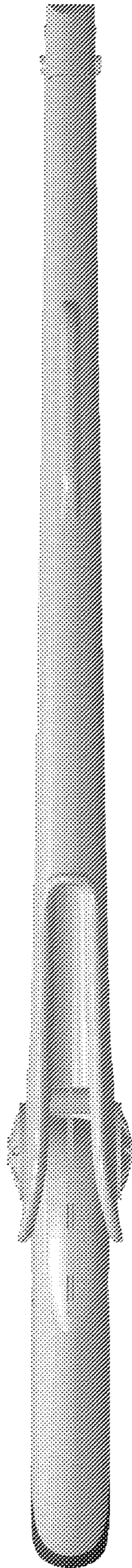
1.20



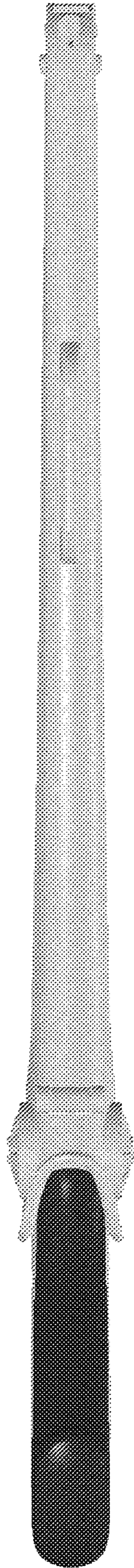
1.21



1.22



1.23



1.24