



US00D818788S

(12) **United States Design Patent** (10) **Patent No.:** **US D818,788 S**
Dammkoehler et al. (45) **Date of Patent:** **** May 29, 2018**

(54) **DEVICE FOR COLLECTING DRILLING DUST**

(71) Applicant: **Alfred Kaercher GmbH & Co. KG**, Winnenden (DE)

(72) Inventors: **Denis Dammkoehler**, Backnang (DE); **Zheyi Jin**, Backnang (DE)

(73) Assignee: **Alfred Kaercher GmbH & Co. KG**, Winnenden (DE)

(**) Term: **15 Years**

(21) Appl. No.: **29/589,104**

(22) Filed: **Dec. 28, 2016**

(30) **Foreign Application Priority Data**

Jul. 14, 2016 (WO) 968175601

(51) **LOC (11) Cl.** **08-05**

(52) **U.S. Cl.**
USPC **D8/70; D15/138**

(58) **Field of Classification Search**
USPC D8/14.1, 61-71, 90, 363; D15/124-126, D15/133, 138-140; D32/1, 15, 21, 25, D32/16-18

CPC B23Q 11/0046; B23Q 11/0053; B23Q 11/0071; B23B 45/003; B25D 17/22
See application file for complete search history.

(56) **References Cited**

U.S. PATENT DOCUMENTS

4,184,226 A	1/1980	Loevenich
4,738,571 A	4/1988	Olson et al.
5,125,190 A	6/1992	Buser et al.
D334,330 S	3/1993	Moshammer
D347,778 S	6/1994	Clowers et al.
D352,439 S	11/1994	Bedford

D376,526 S	12/1996	Hepburn
5,605,421 A	2/1997	Hodgson
5,983,445 A	11/1999	Baker
RE36,627 E	3/2000	Pink et al.
6,053,674 A	4/2000	Thompson
6,071,184 A	6/2000	Anderson, III
6,447,387 B1	9/2002	Tseng
6,540,598 B1	4/2003	McCutchen
6,648,742 B1	11/2003	Segiel, Jr.
6,679,930 B1 *	1/2004	An A47L 9/1608 55/337
D488,365 S	4/2004	Liu
D499,625 S *	12/2004	Stirm D8/70
6,854,937 B1 *	2/2005	Weiss B23Q 11/0046 144/136.95
D504,602 S	5/2005	Aglassinger et al.
6,887,146 B2	5/2005	Staas et al.
6,896,605 B2	5/2005	Ohlendorf
6,910,960 B2	6/2005	Reich et al.
D513,161 S *	12/2005	Chilton D8/70
D542,312 S *	5/2007	Skradski D15/138
D542,313 S *	5/2007	Skradski D15/138

(Continued)

Primary Examiner — Darlington Ly

(74) *Attorney, Agent, or Firm* — Lipsitz & McAllister, LLC

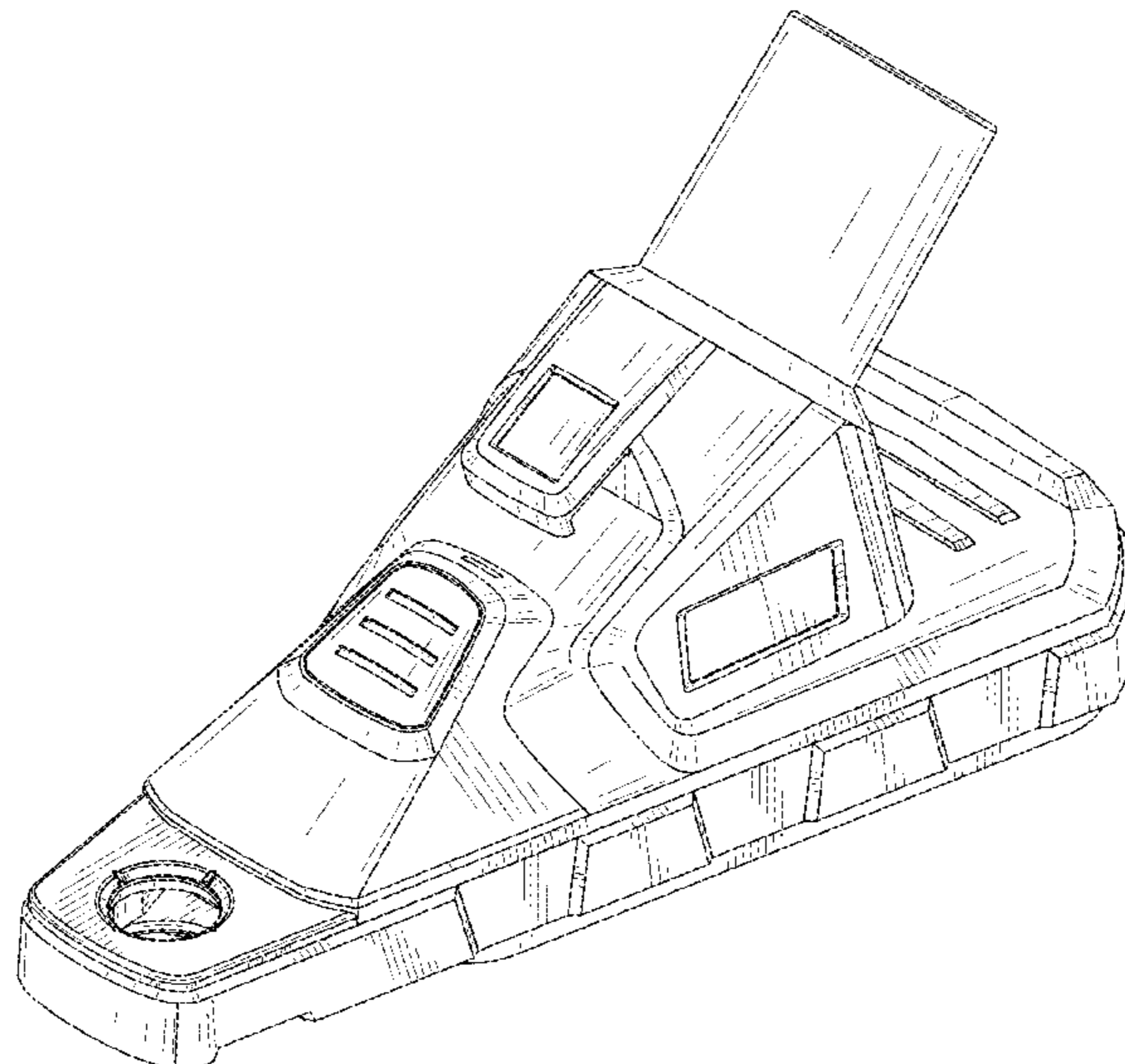
(57) **CLAIM**

The ornamental design for a device for collecting drilling dust, as shown and described.

DESCRIPTION

FIG. 1 is a front, top and left side perspective view of a device for collecting drilling dust showing the new design; FIG. 2 is a front, top and right side perspective view thereof; FIG. 3 is a front elevational view thereof; FIG. 4 is a left side elevational view thereof; FIG. 5 is a rear elevational view thereof; FIG. 6 is a right side elevational view thereof; and, FIG. 7 is a top plan view thereof.

1 Claim, 7 Drawing Sheets



(56)

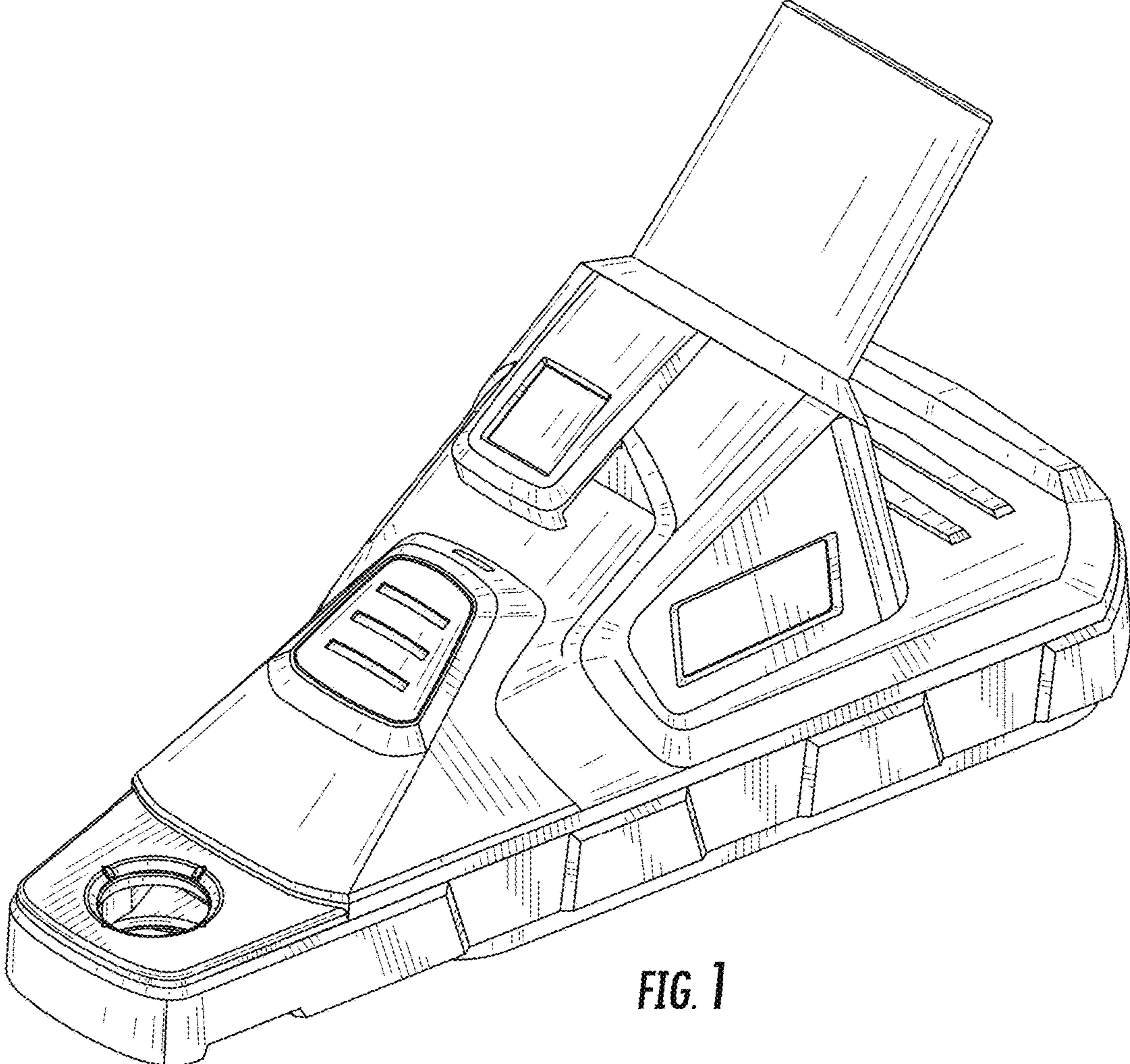
References Cited

U.S. PATENT DOCUMENTS

D543,563 S 5/2007 Skradski et al.
 D546,156 S * 7/2007 Aglassinger D8/70
 D573,615 S * 7/2008 McDaniel D15/138
 7,396,193 B2 7/2008 Kesten
 D588,893 S * 3/2009 Radich D8/70
 D589,318 S * 3/2009 Meyer D8/70
 D593,389 S * 6/2009 Clayton D8/70
 D677,292 S * 3/2013 Barnes D15/132
 D677,545 S * 3/2013 Sell D8/70
 D677,547 S * 3/2013 Rosenau D8/70
 D677,548 S * 3/2013 Rosenau D8/70
 D678,028 S * 3/2013 Rosenau D8/70
 D695,584 S * 12/2013 Chen D8/70
 D703,401 S * 4/2014 Hill D32/31
 D717,844 S 11/2014 Cappuccio
 D719,806 S * 12/2014 Wiedemann D8/70
 D724,922 S 3/2015 Alamilla
 D735,546 S * 8/2015 Bermudez D8/70
 D736,582 S * 8/2015 Dietsche D8/70
 D741,557 S * 10/2015 Young D32/18
 D742,081 S * 10/2015 Young D32/18
 D742,710 S * 11/2015 Wiedemann D8/70
 D743,230 S * 11/2015 Wiedemann D8/70
 D747,050 S 1/2016 Martin et al.

D774,865 S * 12/2016 Chen D15/138
 D792,037 S * 7/2017 Yin D32/17
 D800,804 S * 10/2017 Cappuccio D15/133
 D803,916 S * 11/2017 Dammkoehler D15/138
 2002/0141836 A1 * 10/2002 Ege B23Q 11/0046
 408/67
 2004/0002296 A1 1/2004 Reich et al.
 2004/0055665 A1 3/2004 Wang
 2004/0192184 A1 * 9/2004 Staas B23Q 11/0046
 454/49
 2005/0037699 A1 2/2005 Park
 2009/0181606 A1 * 7/2009 Loveless B23Q 11/0046
 451/456
 2012/0308320 A1 * 12/2012 Tseng B23Q 11/0053
 408/67
 2013/0034396 A1 * 2/2013 Witthoef B23Q 11/0071
 408/67
 2013/0094915 A1 * 4/2013 Chen B23Q 11/0071
 408/67
 2013/0161049 A1 * 6/2013 Ikuta B23Q 11/0046
 173/198
 2013/0331012 A1 * 12/2013 Christen B24B 23/00
 451/453
 2014/0037392 A1 * 2/2014 Lo B23Q 11/0071
 408/67

* cited by examiner



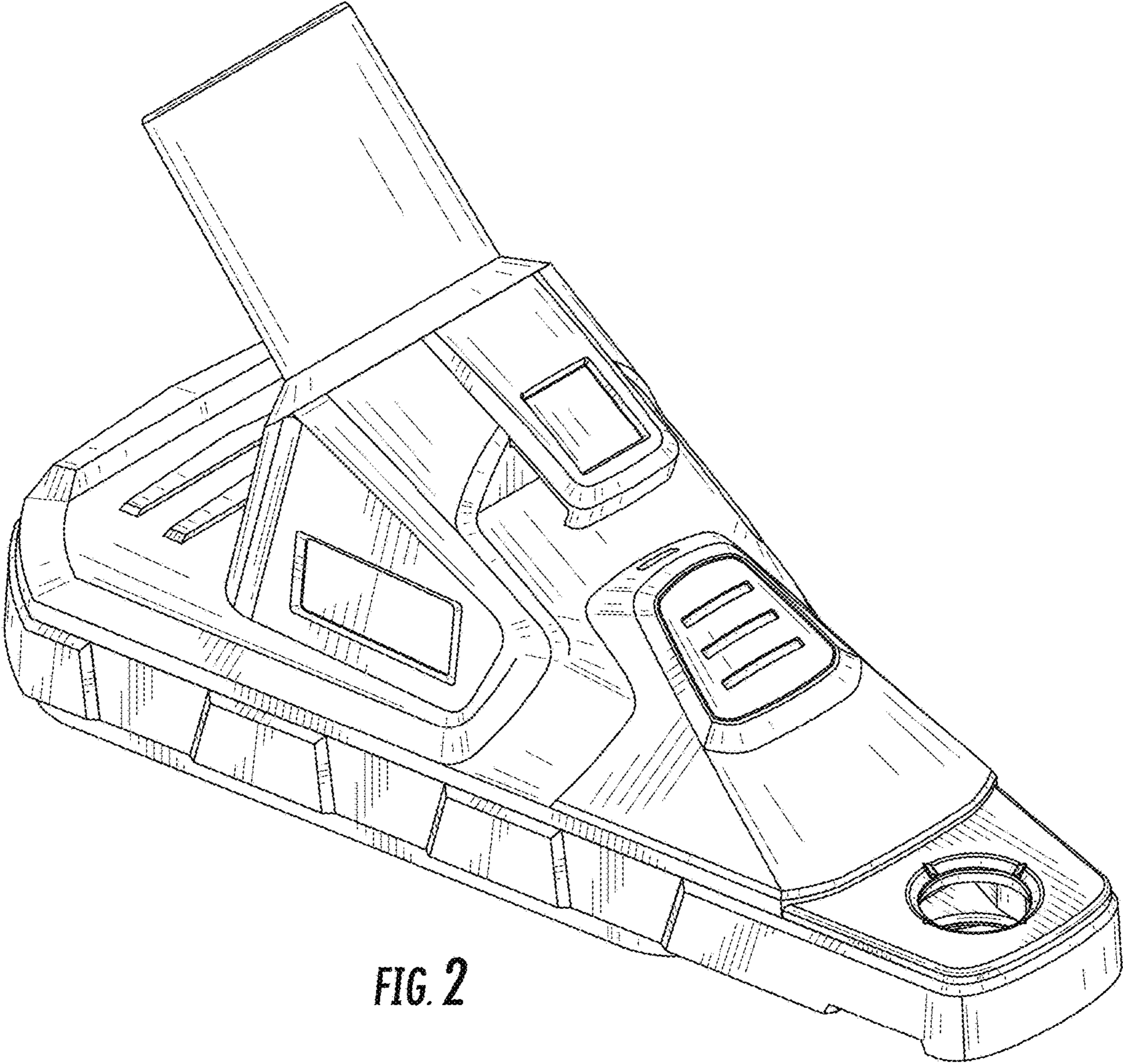


FIG. 2

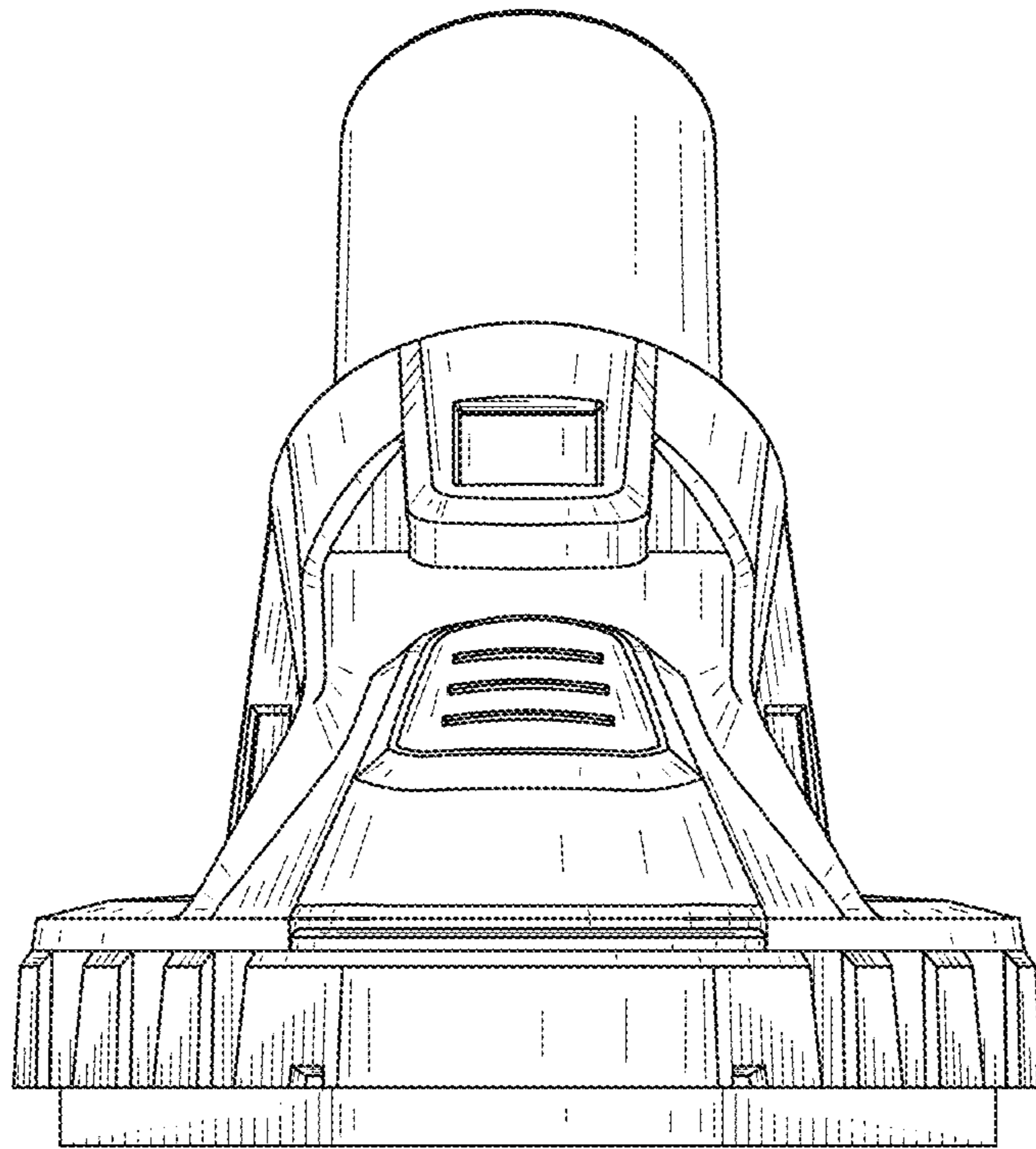


FIG. 3

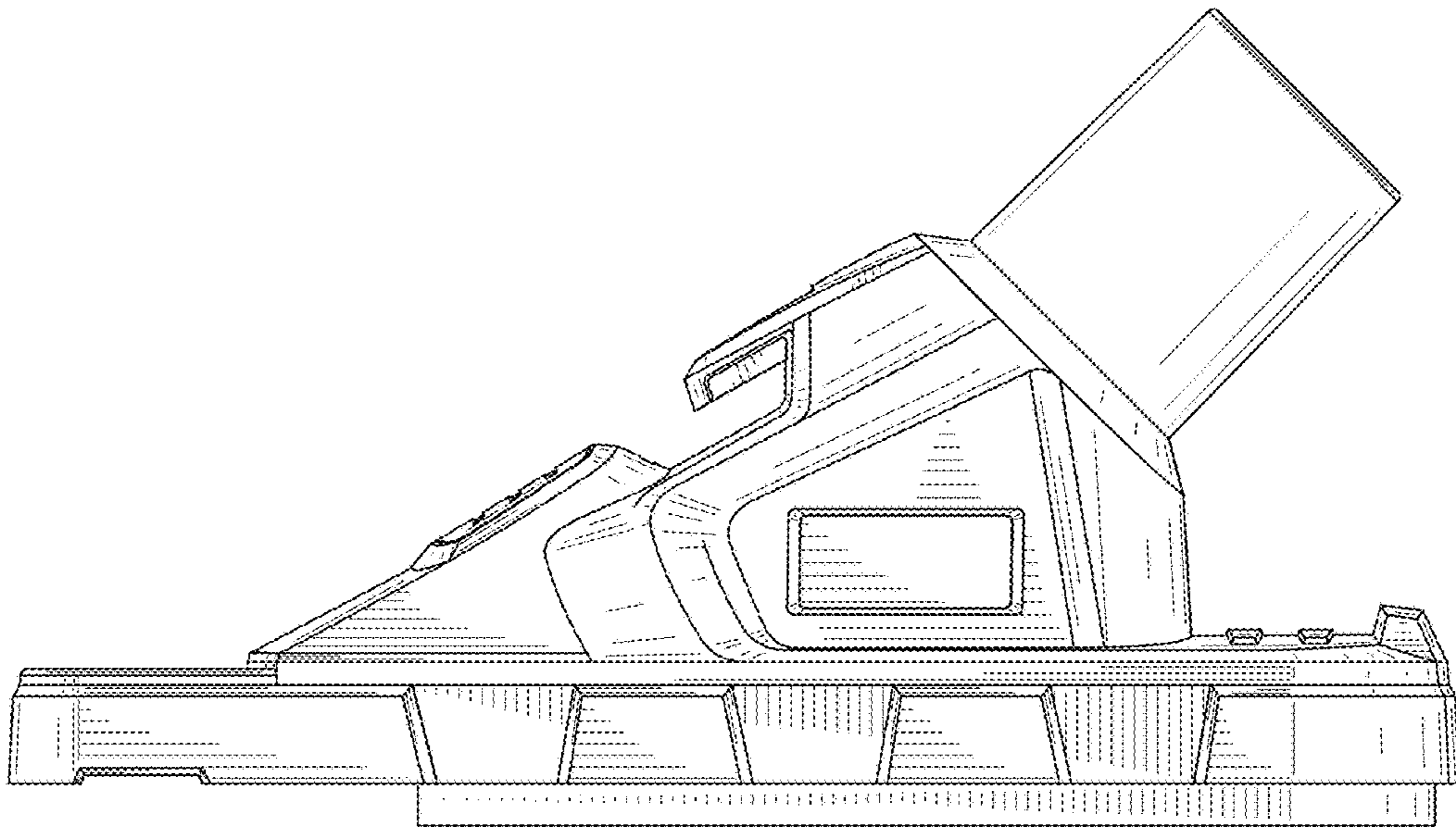


FIG. 4

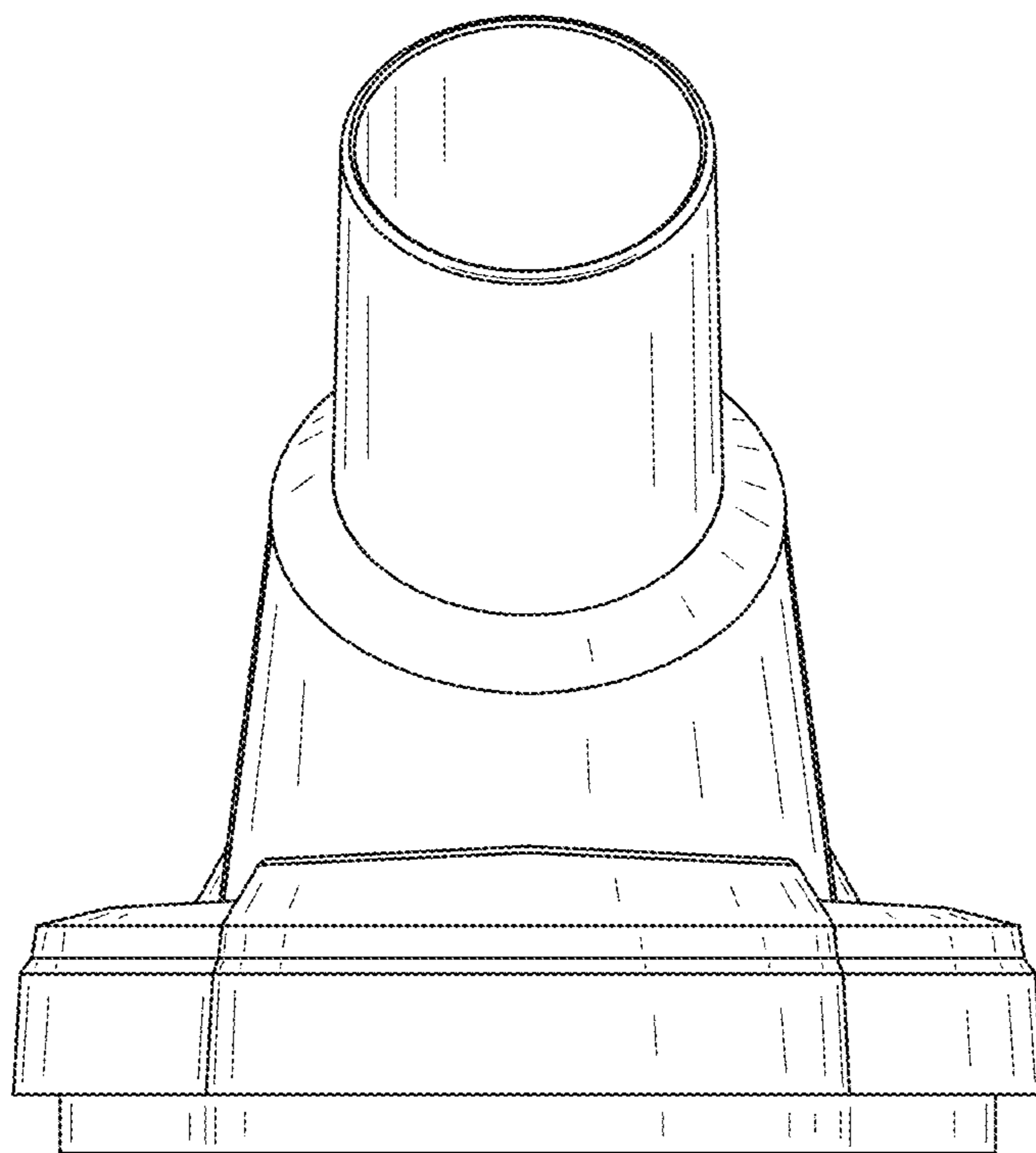


FIG. 5

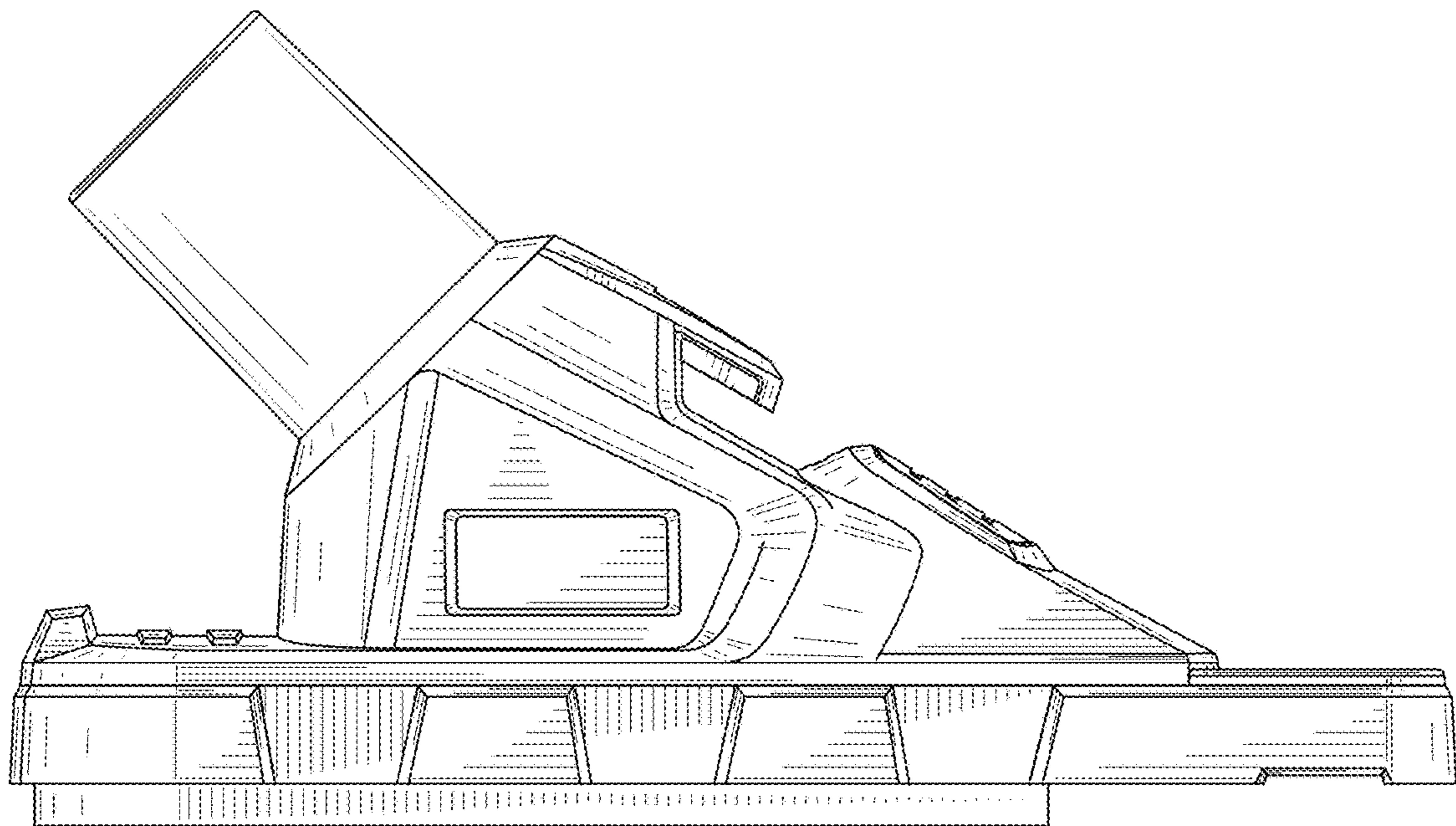


FIG. 6

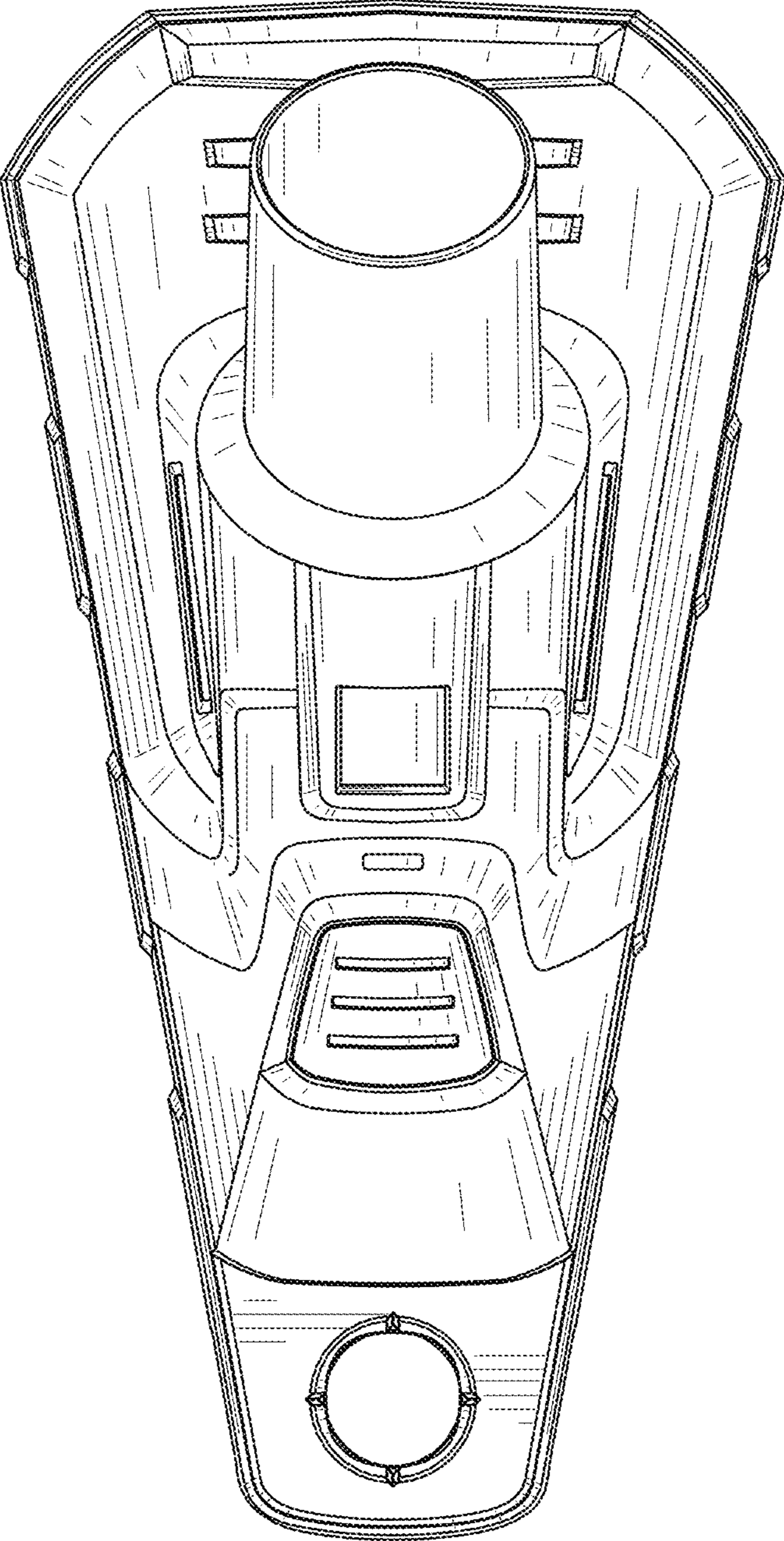


FIG. 7